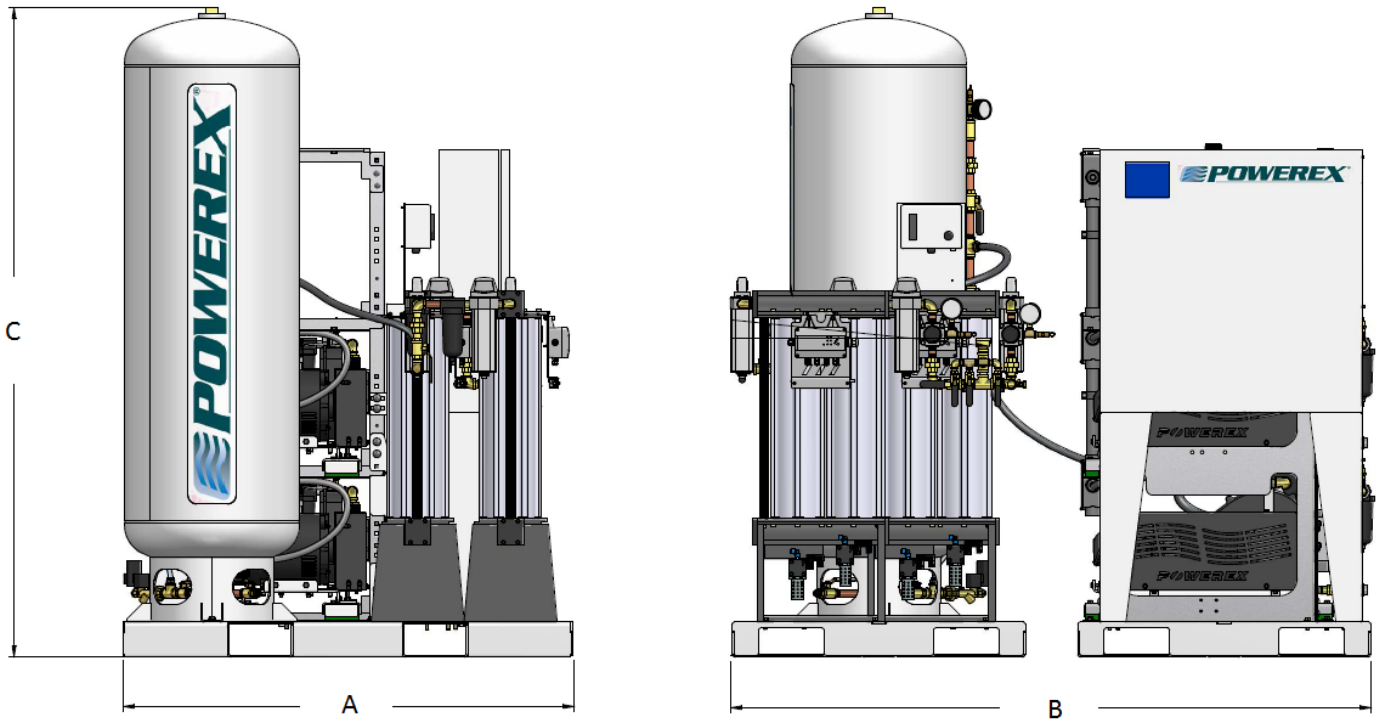
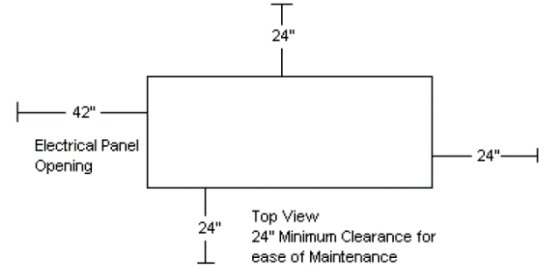


Dimensions					
Model	Dim. A	Dim. B	Dim. C	Inlet	Outlet
MSD05A3-EX3	52"	73"	75"	1.5"	1"
MSD05A4-EX4	52"	73"	76"	2"	1"



Medical Scroll Skidmount Package Duplex with Premium Controls										
Model	HP	ICFM @ 50 PSIG	SCFM @ 50 PSIG ^(1,3)	Tank Size (gal)	BTU/Hr ⁽²⁾	dB(A) Level ⁽³⁾	System F.L.A.			System Weight (lbs)
							208V	230V	460V	
MSD05A3-EX3	5 (2) / 5 (3)	18.4 (36.8)	16.6 (33.2)	80	25450	75	44	40.1	21	1500
MSD05A4-EX4	5 (2) / 5 (4)	18.4 (55.2)	16.6 (49.8)	120	38175	77	58	52.8	27.3	1700

Notes:

- 1 – ICFM and SCFM values @ 50 PSIG are shown with one compressor in reserve per NFPA 99.
- *Powerex recommends using performance ratings in SCFM (Standard Cubic Feet per Minute) when sizing medical air systems.
- *ICFM is standardly defined within the Medical Air Compressor Industry.
- 2 – BTU/Hr levels are shown with reserve pump(s) on standby.
- 3 – dB(A) levels are shown with one pump in reserve per NFPA 99.
- 4 – 3 Year Limited Warranty.
- 5 – Drawing is representative and not exact.