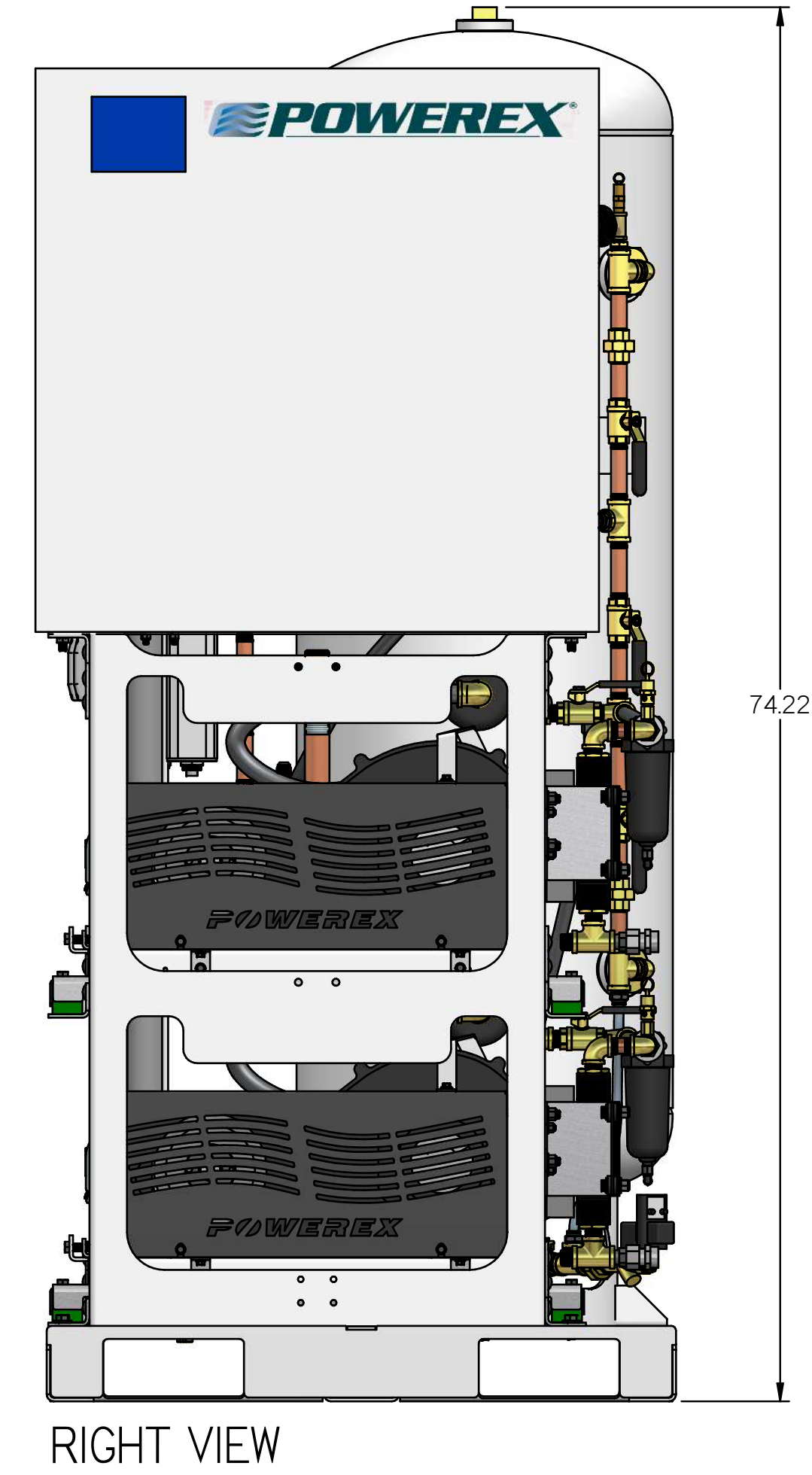
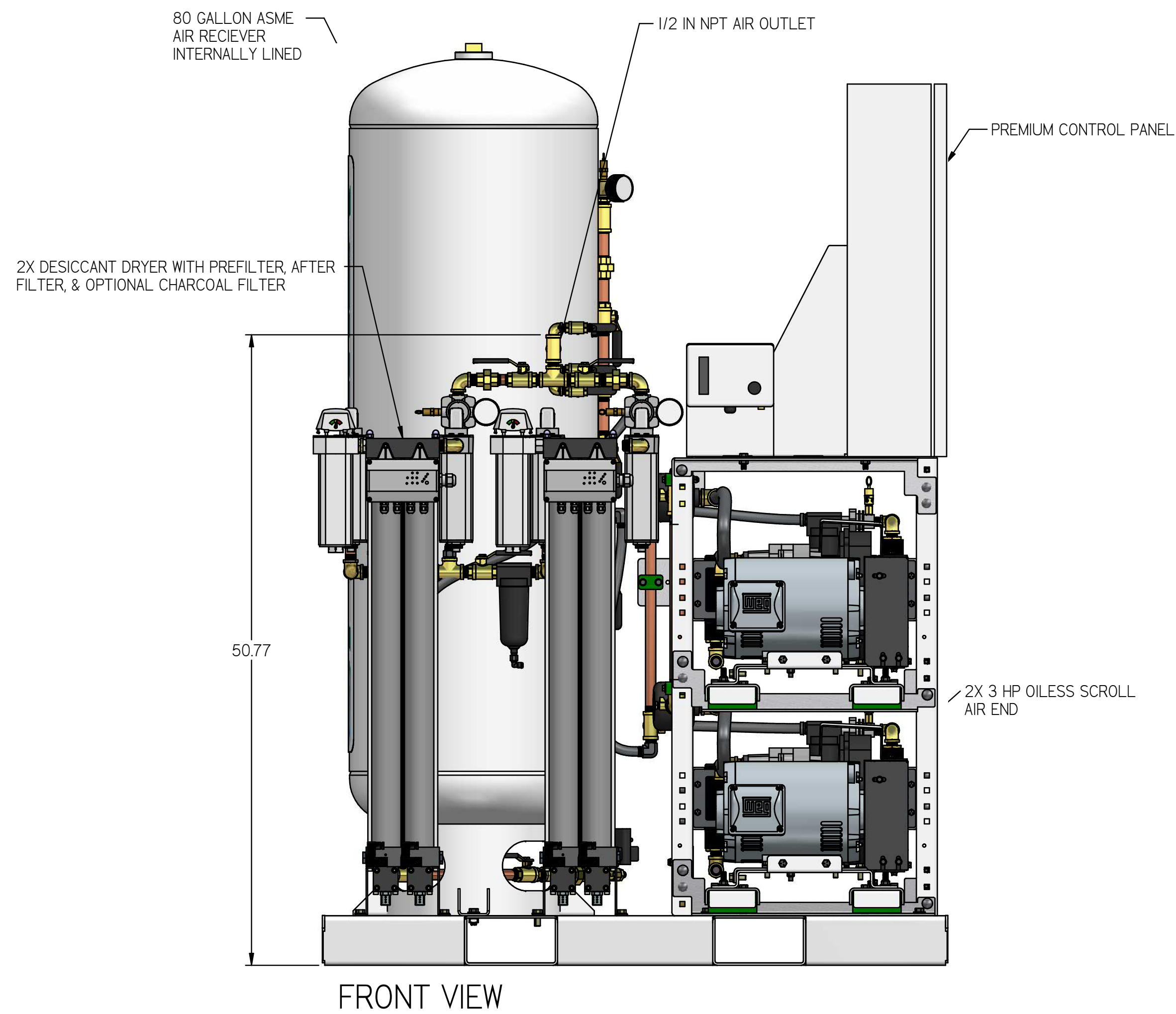
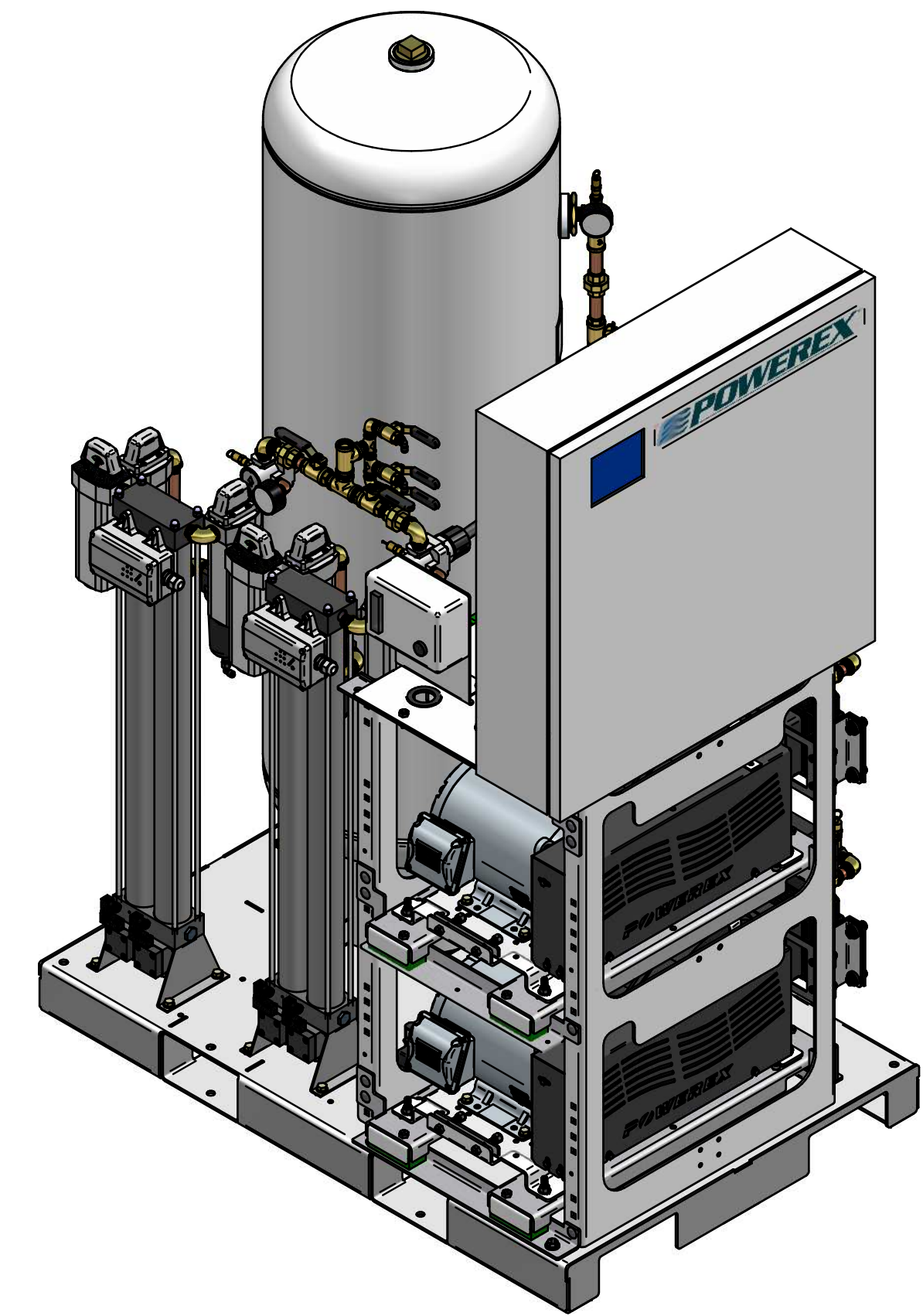
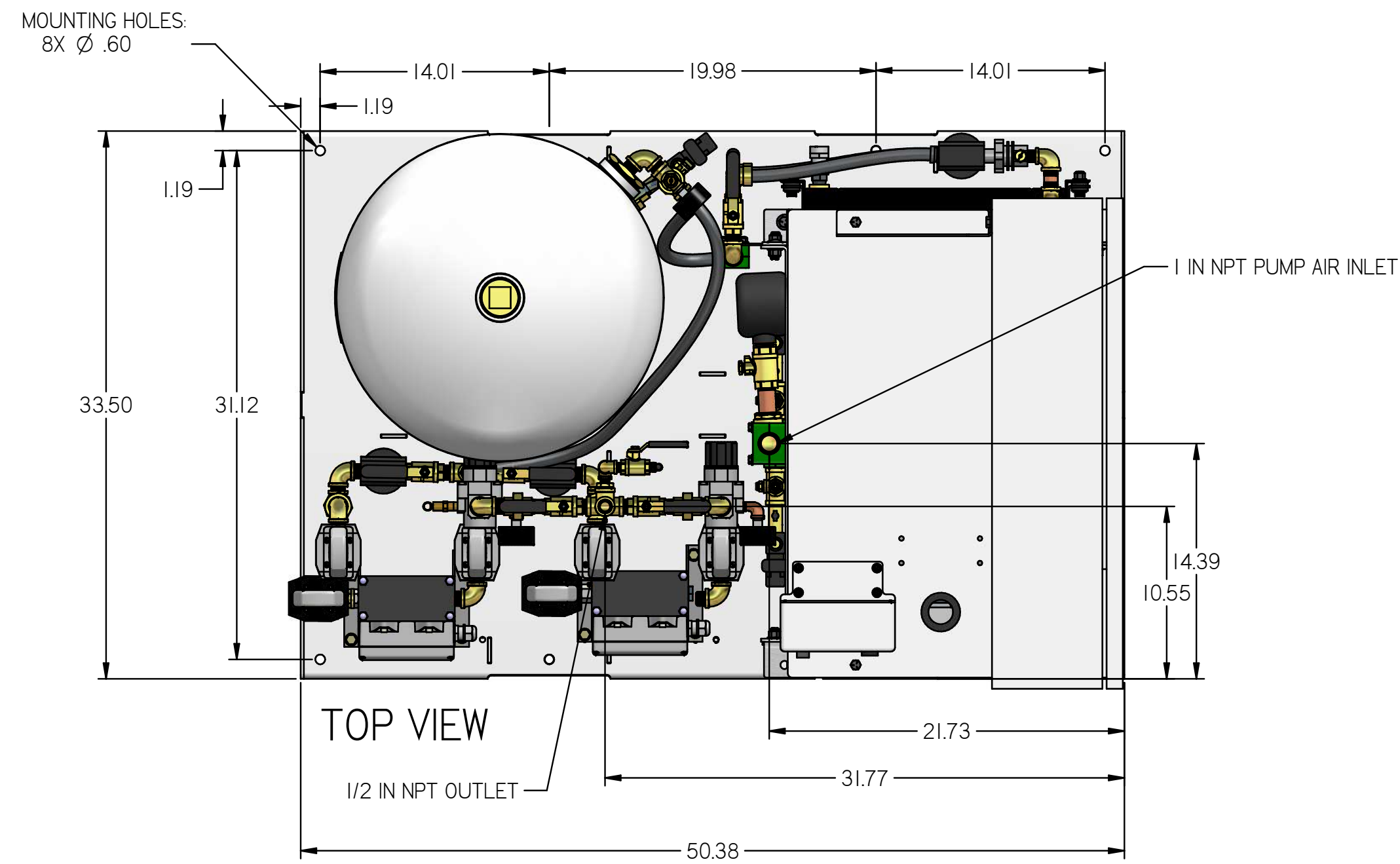


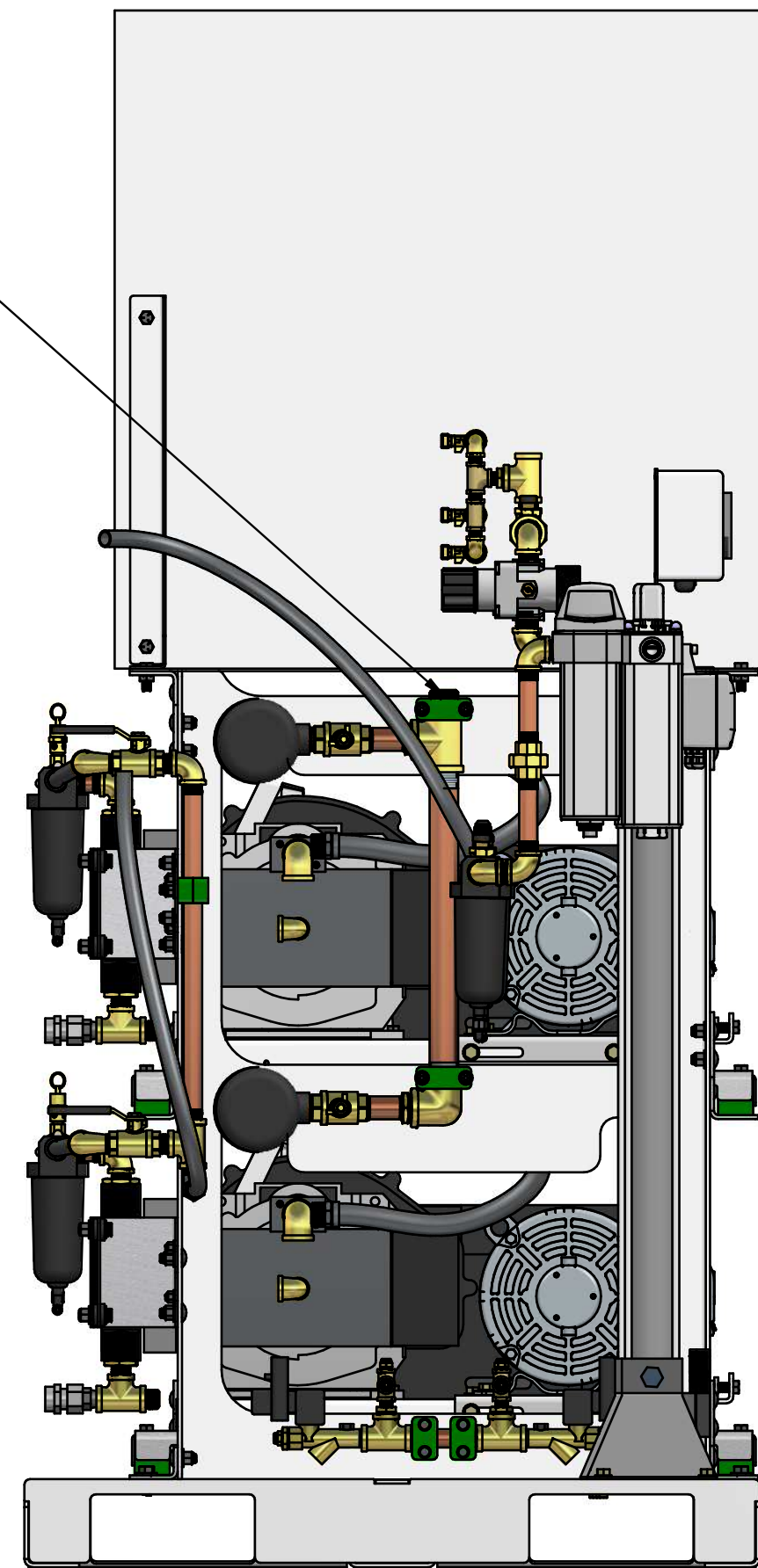
REVISION NOTES		
DESCRIPTION	ECN	PR/NOR
PRODUCTION RELEASE	PXEC0169	N/A

MSD03A3

MEDICAL OPEN SCROLL
SYSTEM 3 HP DUPLEX WITH
80 GALLON TANK
PREMIUM PANEL



1 IN NPT AIR INLET
NOTE: TANK HIDDEN FOR CLARITY



- NOTES:
- APPROX SYSTEM WEIGHT: 1079 LB
 - 24" MINIMUM MAINTENANCE CLEARANCE RECOMMENDED ALL SIDES. CLEARANCE FOR CONTROL PANEL SHALL BE IN ACCORDANCE WITH OSHA/NEC REQUIREMENTS

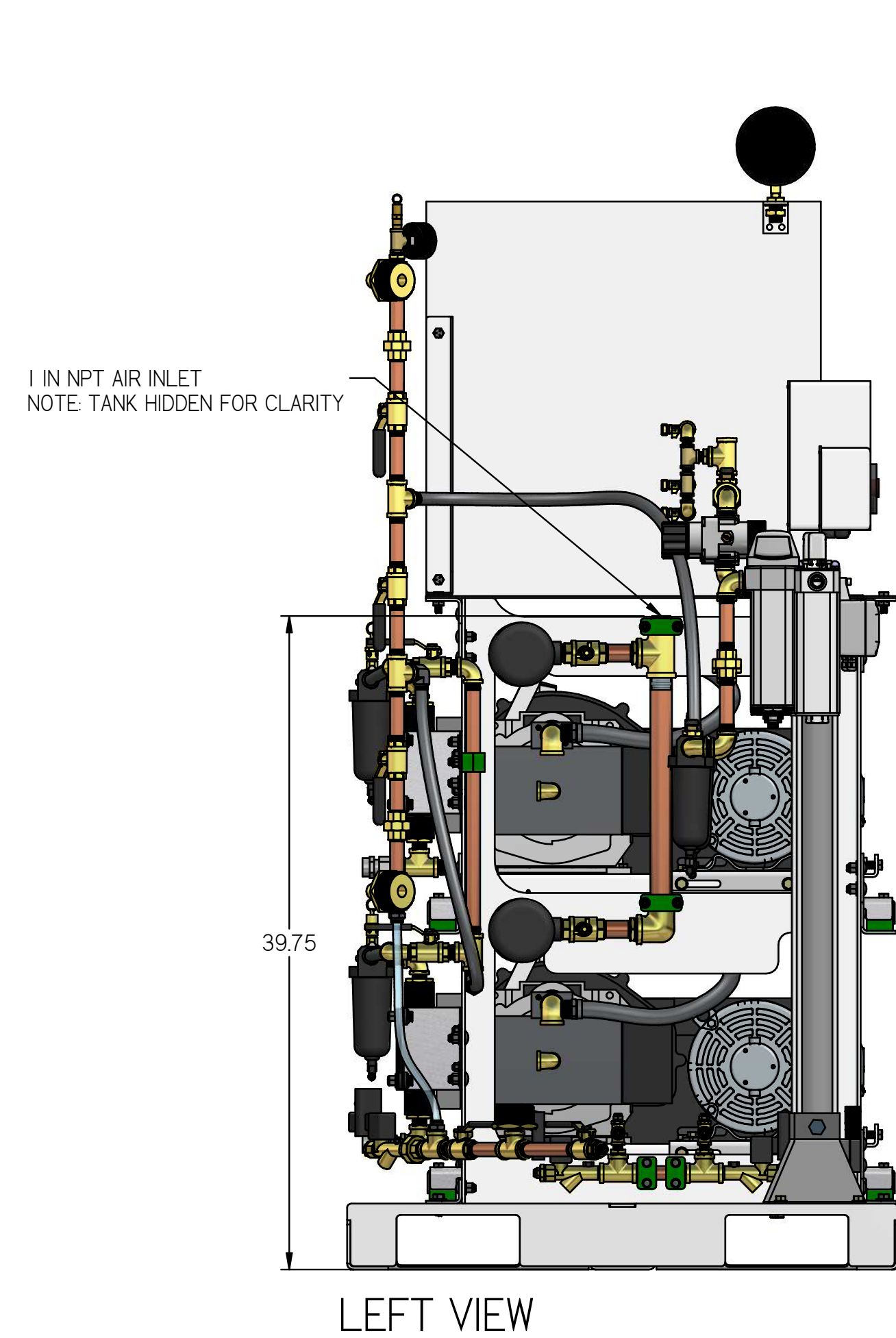
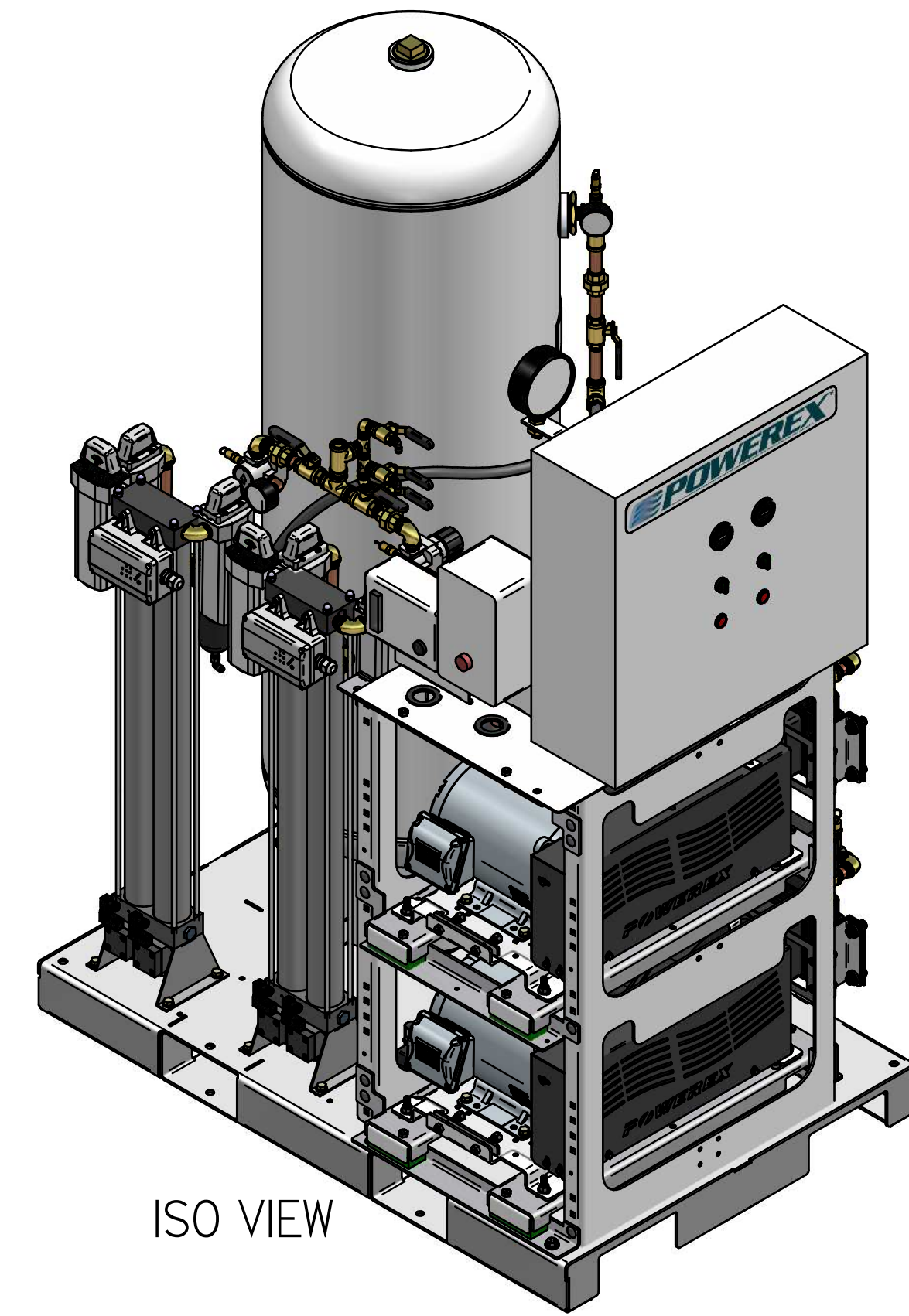
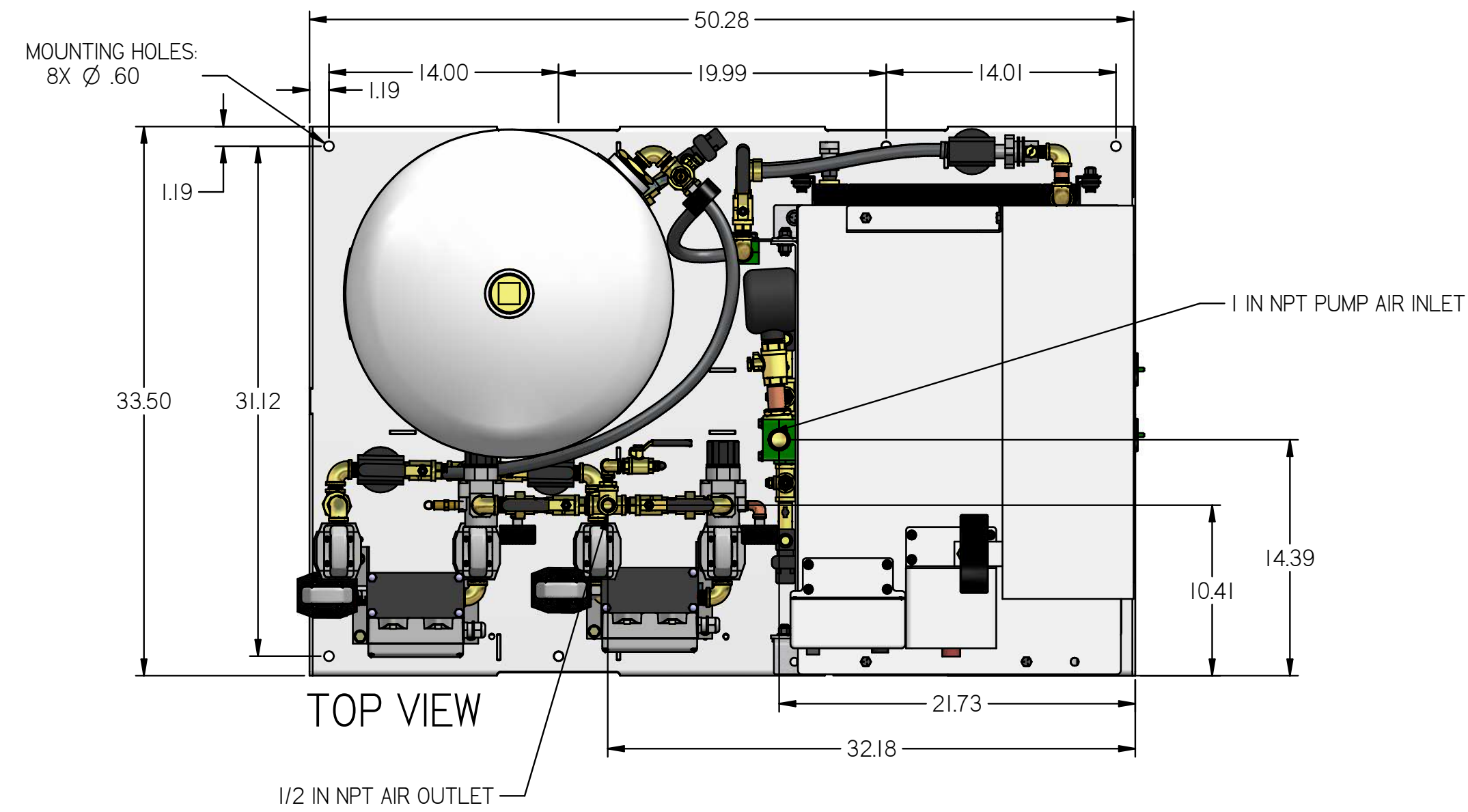
SYMBOL LEGEND		DRAWINGS TO CONFORM TO CURRENT REVISION OF THE FOLLOWING ANSI STANDARDS:		
TOLERANCES NOT SPECIFIED	SOLID EDGE DRAWING	DO NOT SCALE DRAWING FOR DIMENSIONS		
0.XXX ± .01	INCH	SHEET 1 OF 5	SCALE	1:7.69
0.XXX ± .005				
<small>CONFIDENTIAL DISCLOSURE</small> This drawing is the property of POWEREX of the SCOTT FETTER COMPANY and is subject to return on demand. Its contents are confidential and must not be copied or submitted to outside parties for use or examination.		AUTHOR	ORIGINATION DATE	APPROVALS ON FILE IN PLM
TITLE: 716470 MATERIAL: SEE PART DRAWINGS		ASoulek	10/11/2018	
DESCRIPTION: MEDICAL OPEN SCROLL SYSTEM 3 HP DUPLEX WITH 80 GALLON TANK		DRAWING NUMBER: MSD03A3	REVISION: A	SIZE: D



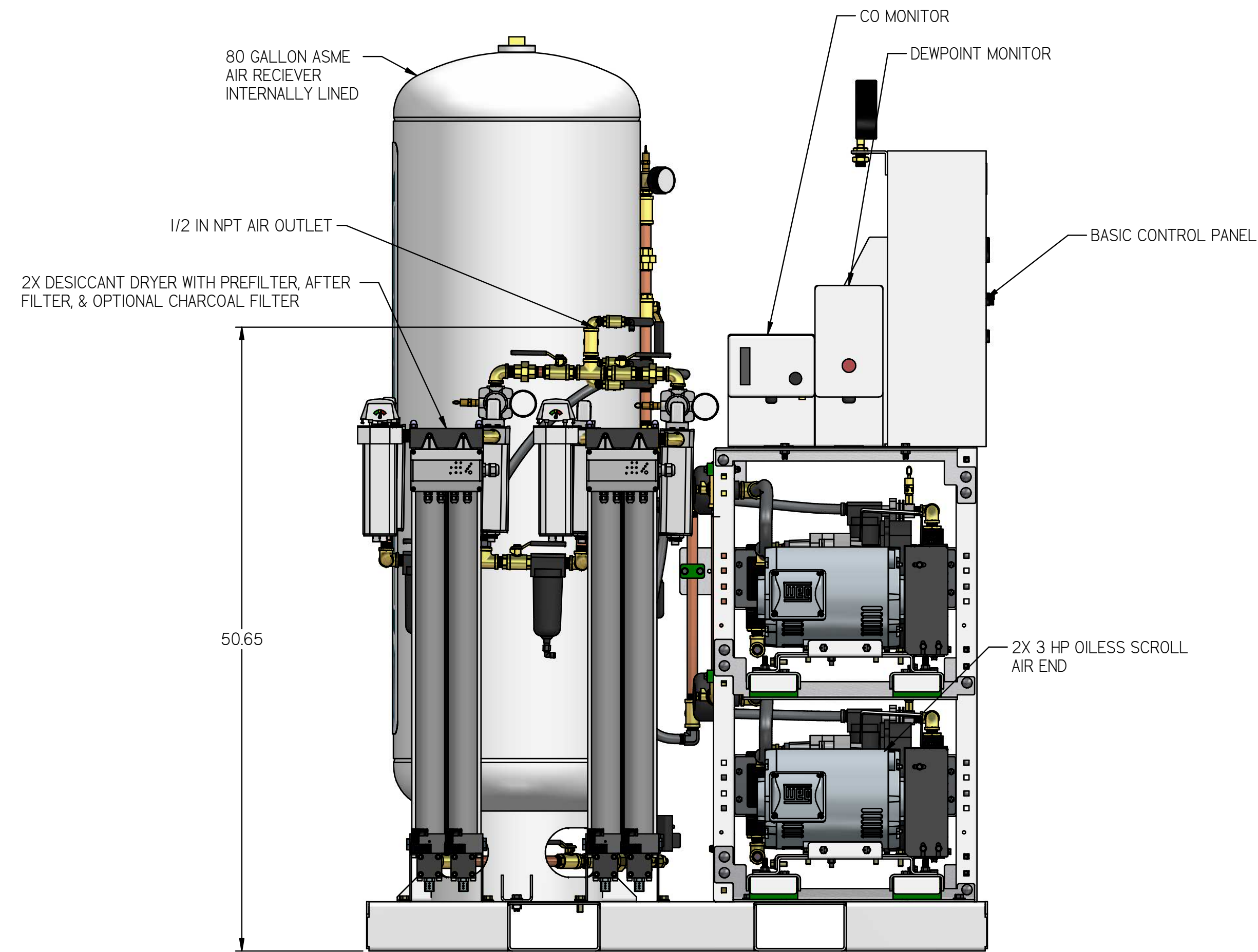
REVISION NOTES		
DESCRIPTION	ECN	PR/NOR
PRODUCTION RELEASE	PXECO169	N/A

MSD03A3

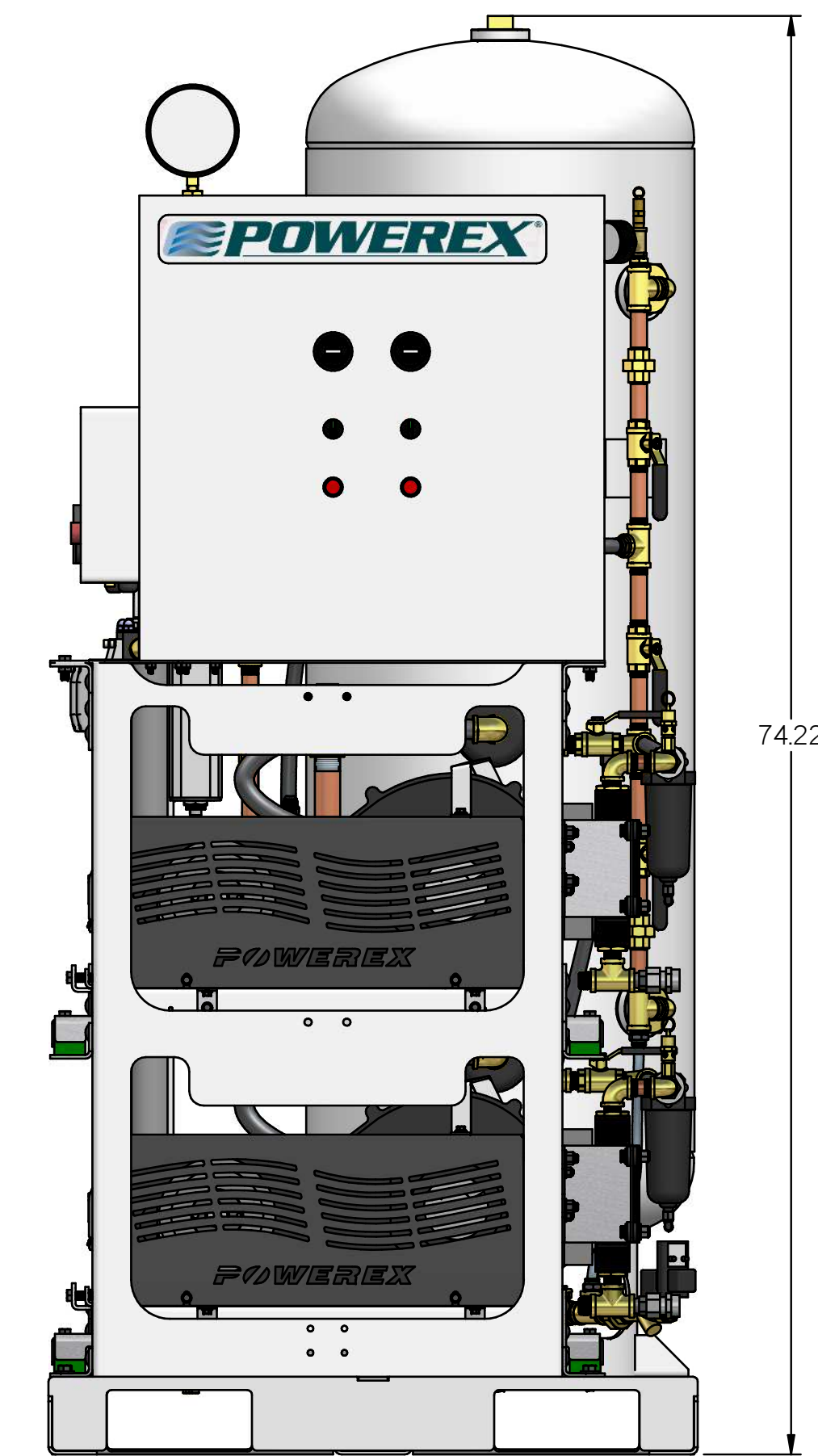
MEDICAL OPEN SCROLL
SYSTEM 3 HP DUPLEX WITH
80 GALLON TANK
BASIC PANEL



LEFT VIEW



FRONT VIEW



RIGHT VIEW

- NOTES:
- APPROX SYSTEM WEIGHT: 1079 LB
 - 24" MINIMUM MAINTENANCE CLEARANCE RECOMMENDED ALL SIDES. CLEARANCE FOR CONTROL PANEL SHALL BE IN ACCORDANCE WITH OSHA/NEC REQUIREMENTS

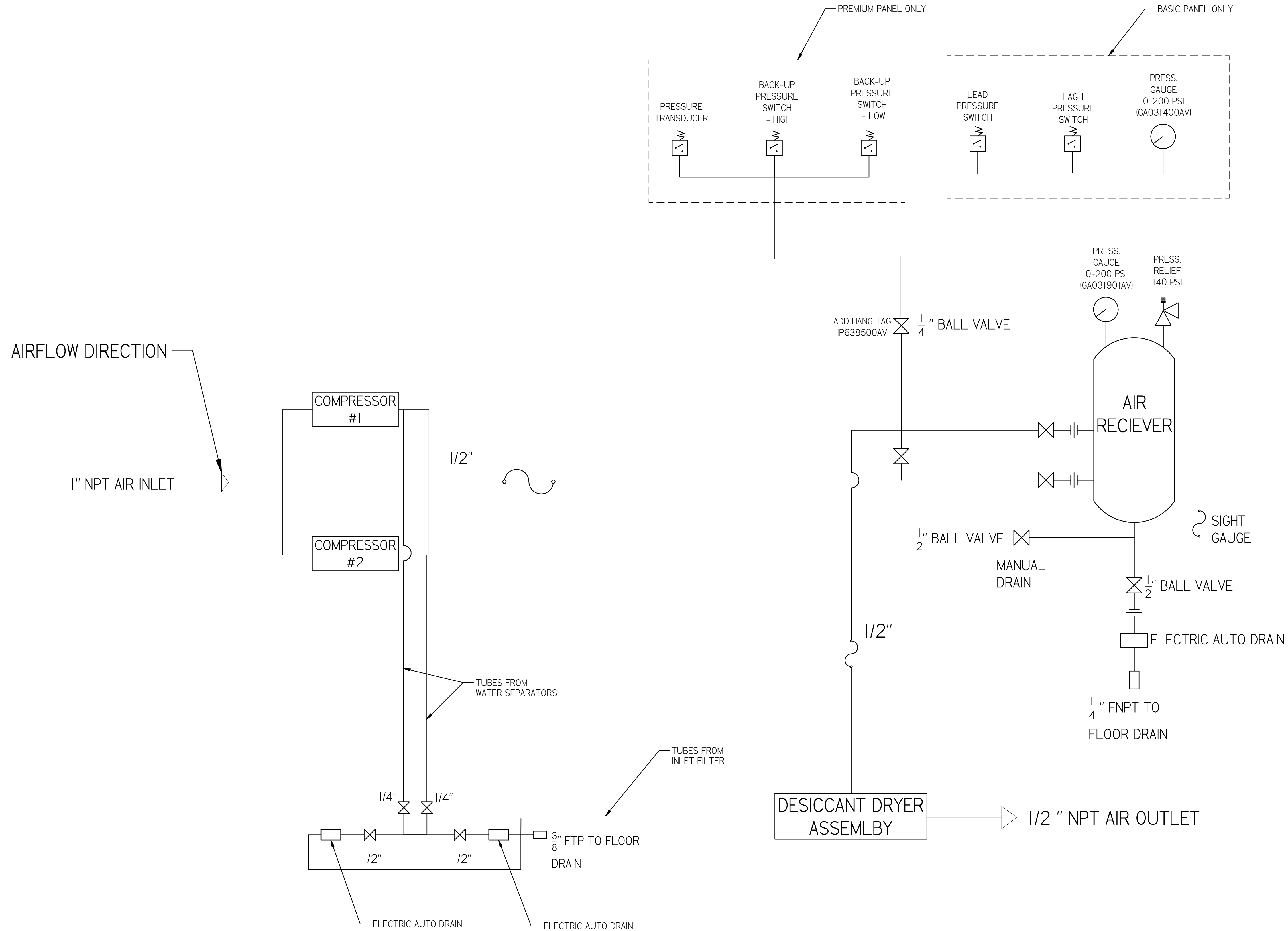
SYMBOL LEGEND		DRAWINGS TO CONFORM TO CURRENT REVISION OF THE FOLLOWING ANSI STANDARDS: Y14.3 MULTI AND SECTIONAL VIEW DWGS Y14.5 DIMENSIONING AND TOLERANCING	
TOLERANCES NOT SPECIFIED	SOLID EDGE DRAWING	DO NOT SCALE DRAWING FOR DIMENSIONS	
0.XXX ± .01	INCH	SHEET 2 OF 5	SCALE 1:8
0.XXX ± .005		APPROVALS ON FILE IN PLM	
<small>CONFIDENTIAL DISCLOSURE</small> This drawing is the property of POWEREX of the SCOTT FETTER COMPANY and is subject to return on demand. Its contents are confidential and must not be copied or submitted to outside parties for use or examination.		AUTHOR	ORIGINATION DATE
TITLE: 716470 MATERIAL: SEE PART DRAWINGS DESCRIPTION: MEDICAL OPEN SCROLL SYSTEM 3 HP DUPLEX WITH 80 GALLON TANK		ASoulek	10/11/2018
DRAWING NUMBER: MSD03A3		REVISION: A	SIZE: D



REVISION NOTES		
DESCRIPTION	ECN	PR/NOR
PRODUCTION RELEASE	PXECO169	N/A

MSD03A3

MEDICAL OPEN SCROLL
SYSTEM 3 HP DUPLEX WITH
80 GALLON TANK
FLOW DIAGRAM

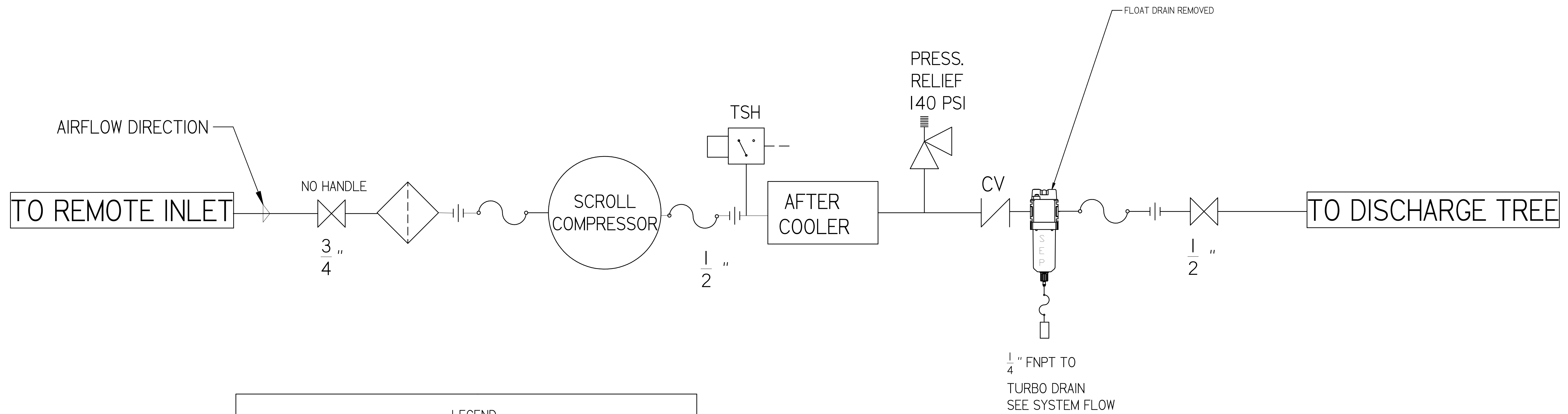


SYMBOL LEGEND		DRAWINGS TO CONFORM TO CURRENT REVISION OF THE FOLLOWING ANSI STANDARDS:	
TOLERANCES NOT SPECIFIED	SOLID EDGE DRAWING	Y14.3 MULTI-SECTIONAL VIEW DIMS	
0.001 ± .001	INCH	Y14.5 DIMENSIONING AND TOLERANCING	
0.005 ± .005		SHEET 3 OF 5	SCALE 1:1
<small>CONFIDENTIAL DISCLOSURE</small> <small>This drawing is the property of POWEREX of the SCOTT FETTER COMPANY and is subject to return on demand. Its contents are confidential and must not be copied or submitted to outside parties for use or examination.</small>		AUTHOR	APPROVALS ON FILE IN PLM
<small>FROM ID:</small> 716470		ASoulek	10/11/2018
<small>MATERIAL:</small> SEE PART DRAWINGS			
<small>DESCRIPTION:</small> MEDICAL OPEN SCROLL SYSTEM 3 HP DUPLEX WITH 80 GALLON TANK		<small>DRAWING NUMBER:</small> MSD03A3	<small>REVISION:</small> A
			<small>SIZE:</small> D

REVISION NOTES		
DESCRIPTION	ECN	PR/NOR
PRODUCTION RELEASE	PXECO169	N/A

MSD03A3

MEDICAL OPEN SCROLL
SYSTEM 3 HP DUPLEX WITH
80 GALLON TANK
MEDICAL COMPRESSOR
FLOW DIAGRAM



LEGEND	
	RELIEF VALVE
	INTAKE FILTER
	AIR FILTER
	3 WAY VALVE
	CARBON FILTER
	BALL VALVE
	PRESSURE SWITCH
	REGULATOR
	SEPARATOR
	CHECK VALVE
	FLEX LINE
	TSH HIGH TEMP SWITCH

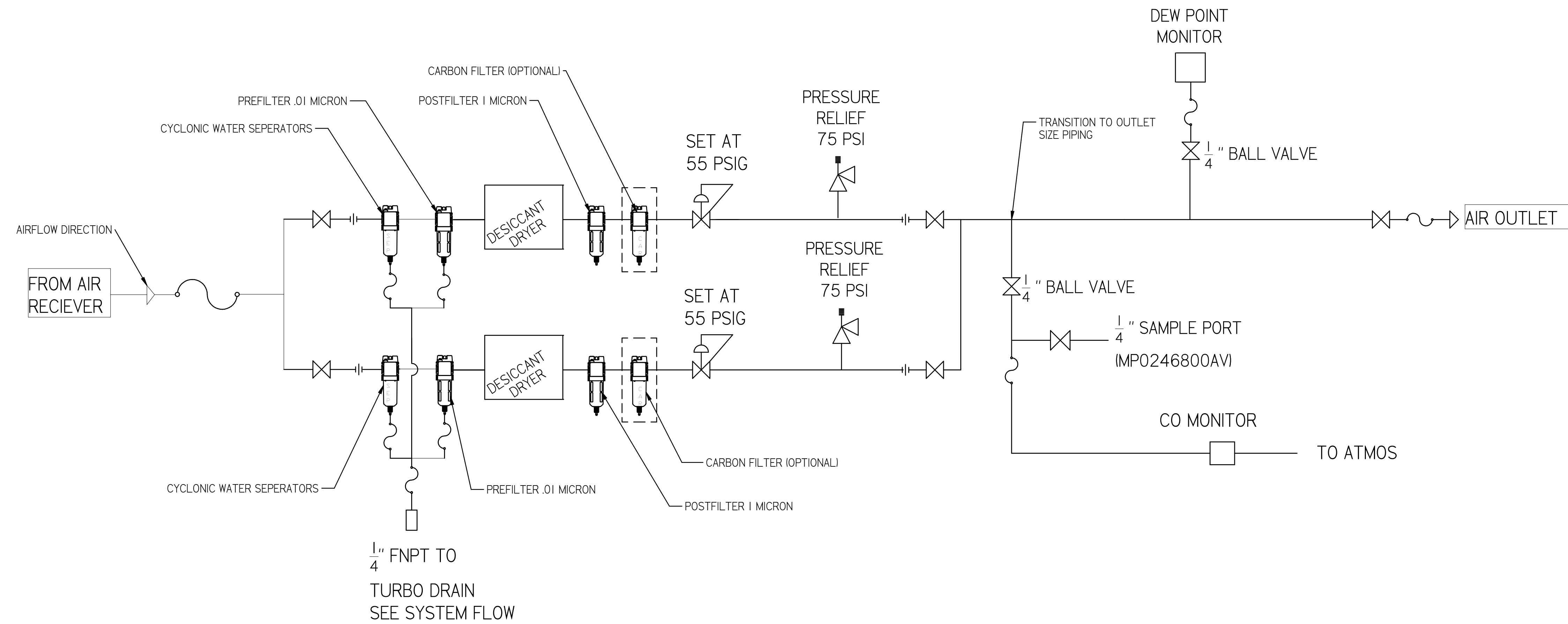
SYMBOL LEGEND		DRAWINGS TO CONFORM TO CURRENT REVISION OF THE FOLLOWING ANSI STANDARDS:	
		Y14.3 MULTI AND SECTIONAL VIEW DWGS Y14.5 DIMENSIONING AND TOLERANCING	
TOLERANCES NOT SPECIFIED	SOLID EDGE DRAWING	DO NOT SCALE DRAWING FOR DIMENSIONS	
0.001 ± .01	INCH	SHEET 4 OF 5	SCALE 1:1
0.005 ± .005			
<small>CONFIDENTIAL DISCLOSURE</small> This drawing is the property of POWEREX of the SCOTT FETTER COMPANY and is subject to return on demand. Its contents are confidential and must not be copied or submitted to outside parties for use or examination.		AUTHOR	APPROVALS ON FILE IN PLM
ITEM NO: 716470 MATERIAL: SEE PART DRAWINGS		ORIGINATION DATE 10/11/2018	
DESCRIPTION: MEDICAL OPEN SCROLL SYSTEM 3 HP DUPLEX WITH 80 GALLON TANK		DRAWING NUMBER MSD03A3	REVISION A D



REVISION NOTES		
DESCRIPTION	ECN	PR/NOR
PRODUCTION RELEASE	PXECO169	N/A

MSD03A3

MEDICAL OPEN SCROLL
SYSTEM 3 HP DUPLEX WITH
80 GALLON TANK
MEDICAL DRYER
FLOW DIAGRAM



PIPE SIZE CHART		
PUMP COUNT	DRYER PLUMBING SIZE	OUTLET PIPE SIZE
2	1/2"	1/2"
3	1/2"	1"
4	1/2"	1"
6	1"	1-1/2"
8	1"	1-1/2"
9	1"	1-1/2"
12	1-1/2"	2"
15	1-1/2"	2"
18	1-1/2"	2"

SYMBOL LEGEND		DRAWINGS TO CONFORM TO CURRENT REVISION OF THE FOLLOWING ANSI STANDARDS: #14.3 MULTI AND SECTIONAL VIEW DIMS #14.5 DIMENSIONING AND TOLERANCING	
TOLERANCES NOT SPECIFIED	SOLID EDGE DRAWING	DO NOT SCALE DRAWING FOR DIMENSIONS	
0.XXX ± .01	INCH	SHEET 5 OF 5	SCALE 1:1
0.XXX ± .005			
± .5	CONFIDENTIAL DISCLOSURE This drawing is the property of POWEREX of the SCOTT FETTER COMPANY and is subject to return on demand. Its contents are confidential and must not be copied or submitted to outside parties for use or examination.	AUTHOR	ORIGINATION DATE
1716470	ASoulek	10/11/2018	APPROVALS ON FILE IN PLM
SEE PART DRAWINGS			<small>150 PRODUCTION DRIVE, HARRISON OH 45030 888-768-7079</small>
DESCRIPTION MEDICAL OPEN SCROLL SYSTEM 3 HP DUPLEX WITH 80 GALLON TANK	DRAWING NUMBER MSD03A3	REVISION A	SIZE D

