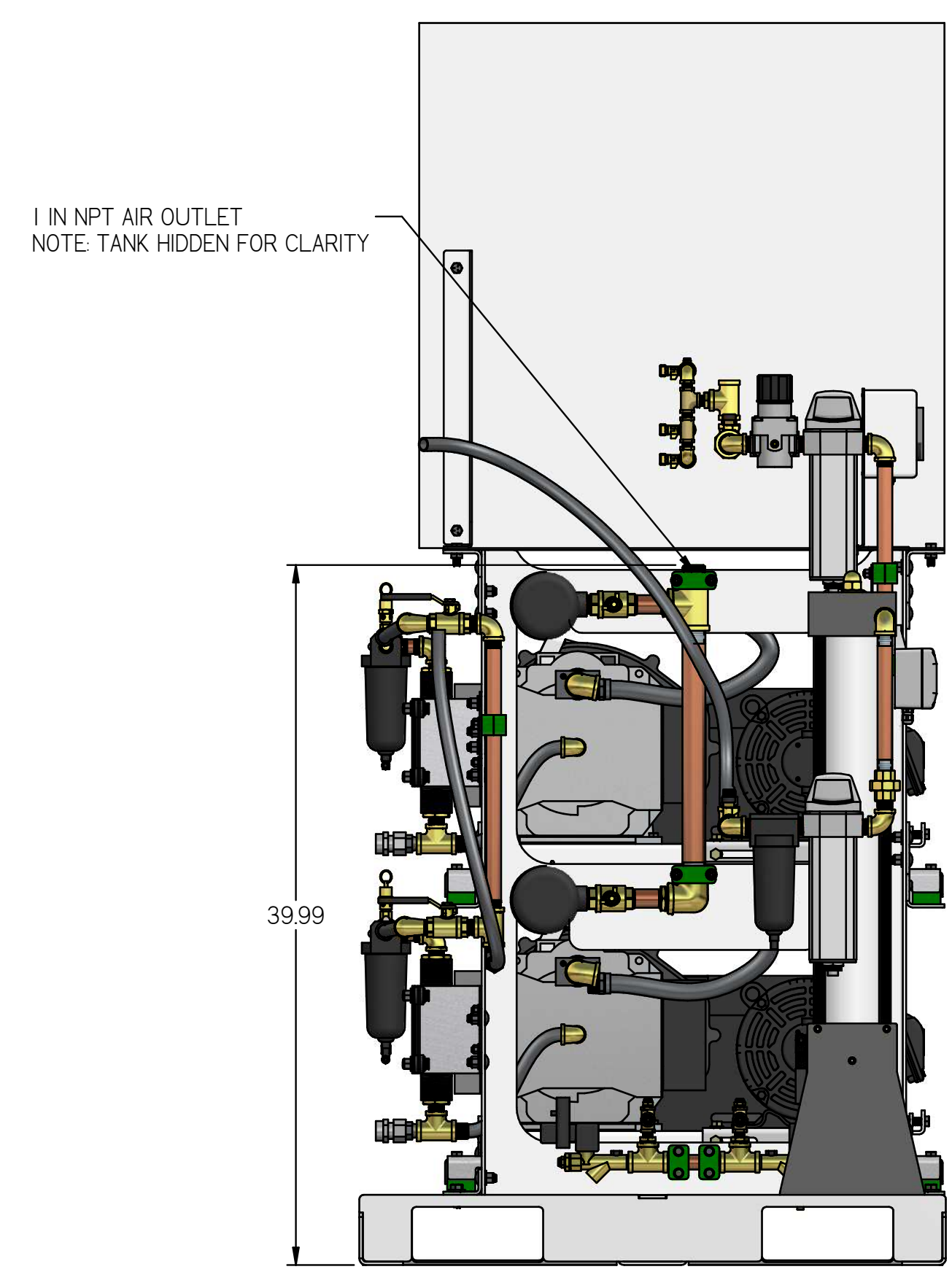
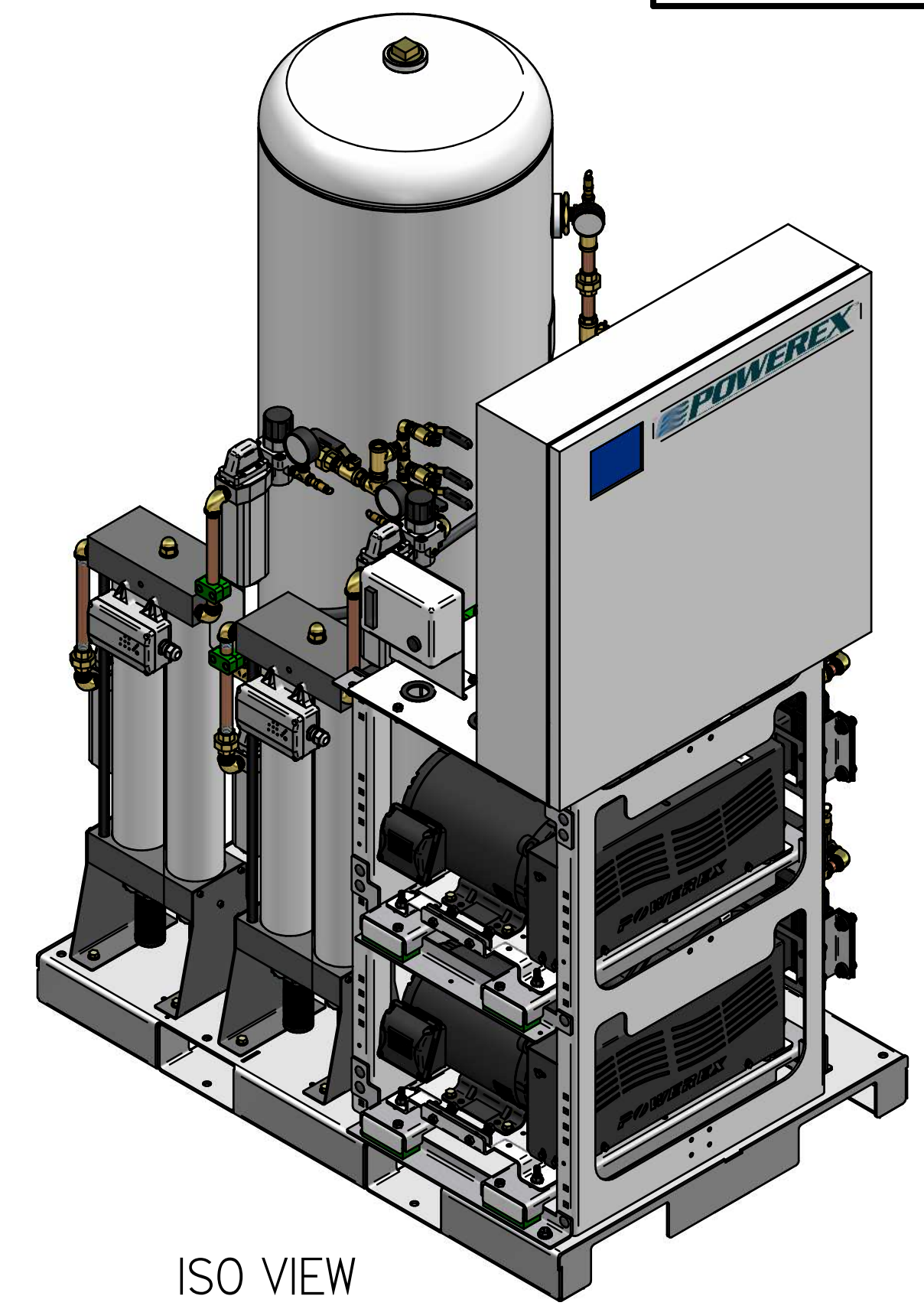
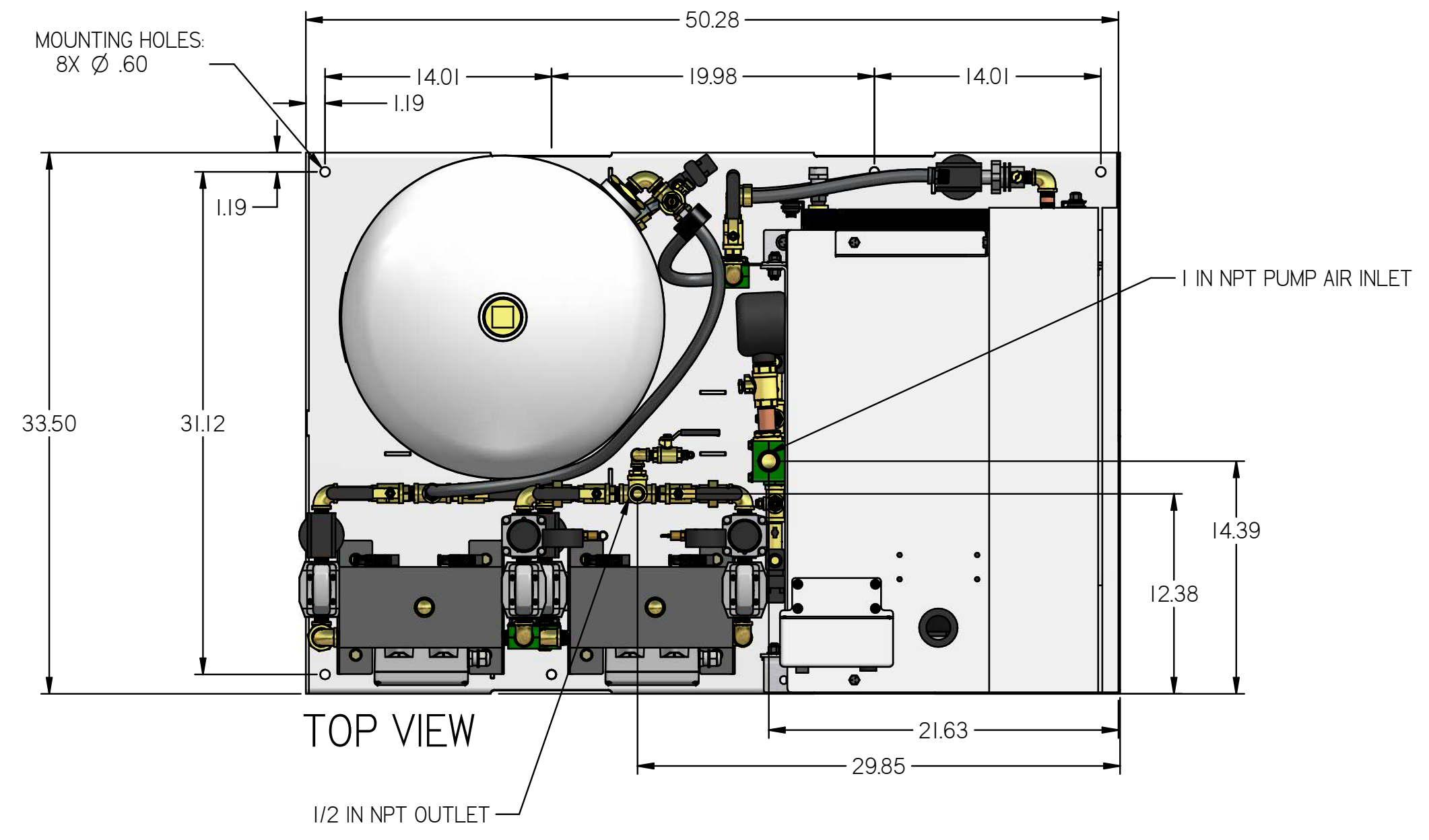


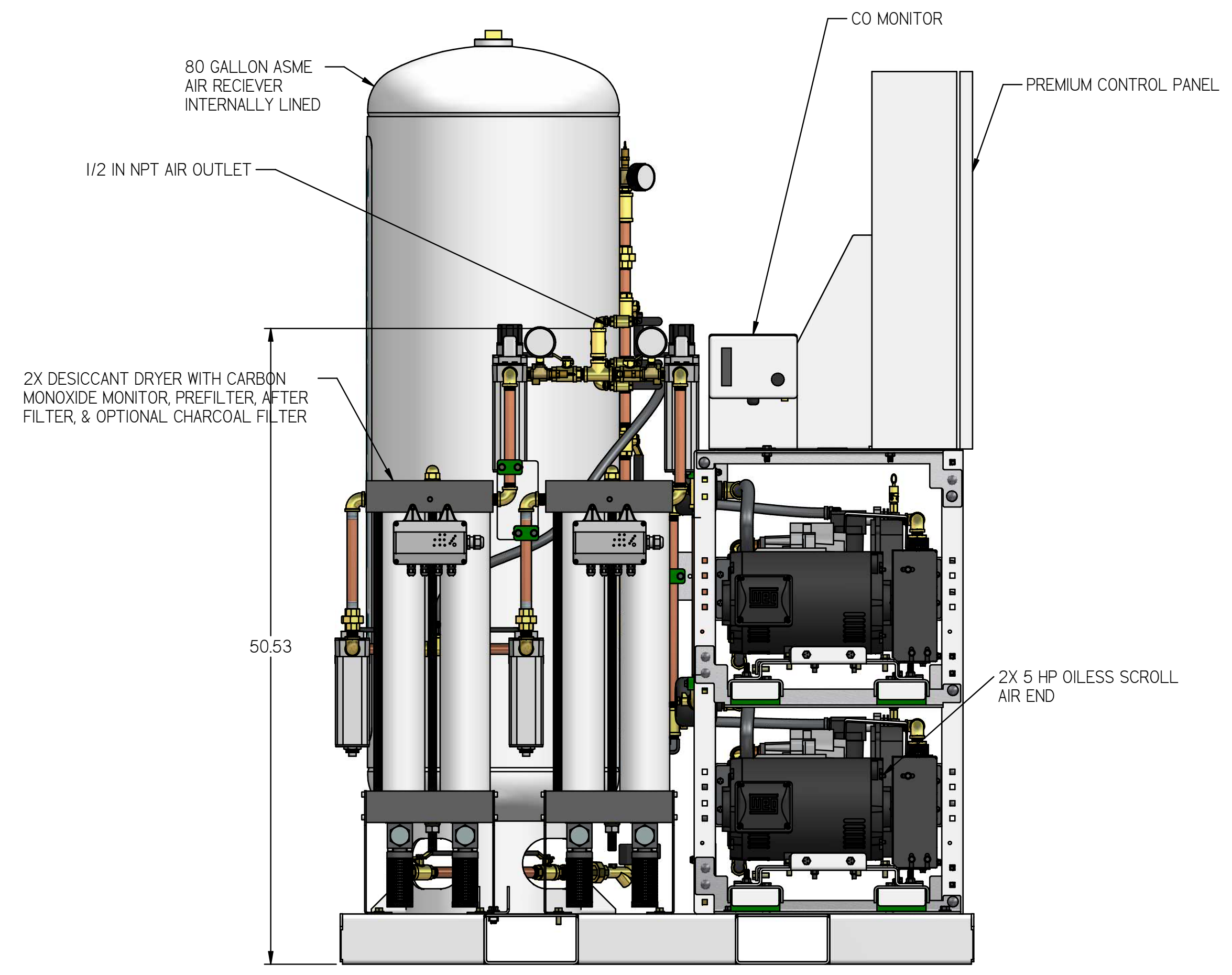
REVISION NOTES		
DESCRIPTION	ECN	PR/NOR
PRODUCTION RELEASE	PXECO169	N/A

# MSD05A3

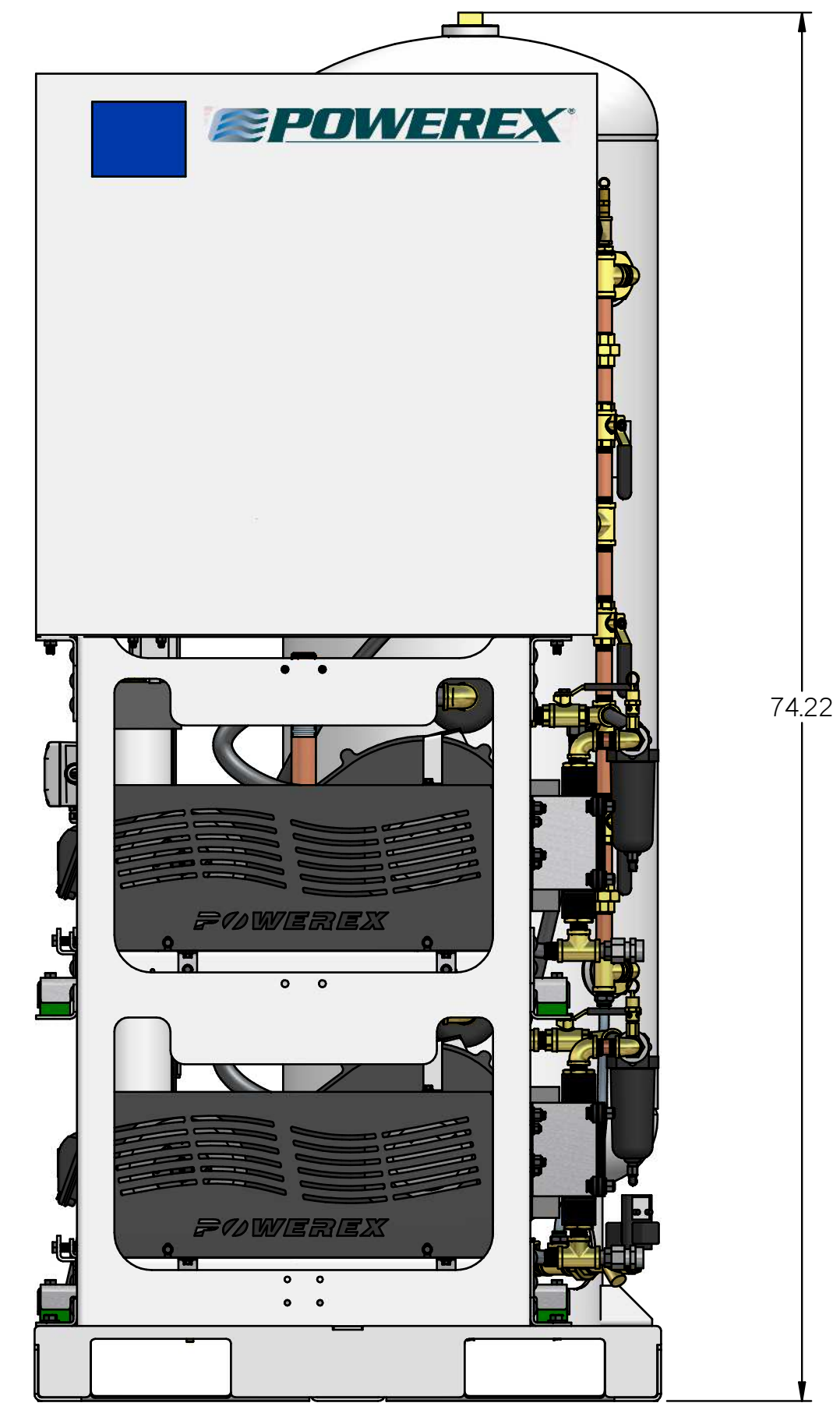
MEDICAL OPEN SCROLL  
SYSTEM 5 HP DUPLEX WITH  
80 GALLON TANK  
PREMIUM PANEL



LEFT VIEW



FRONT VIEW



RIGHT VIEW

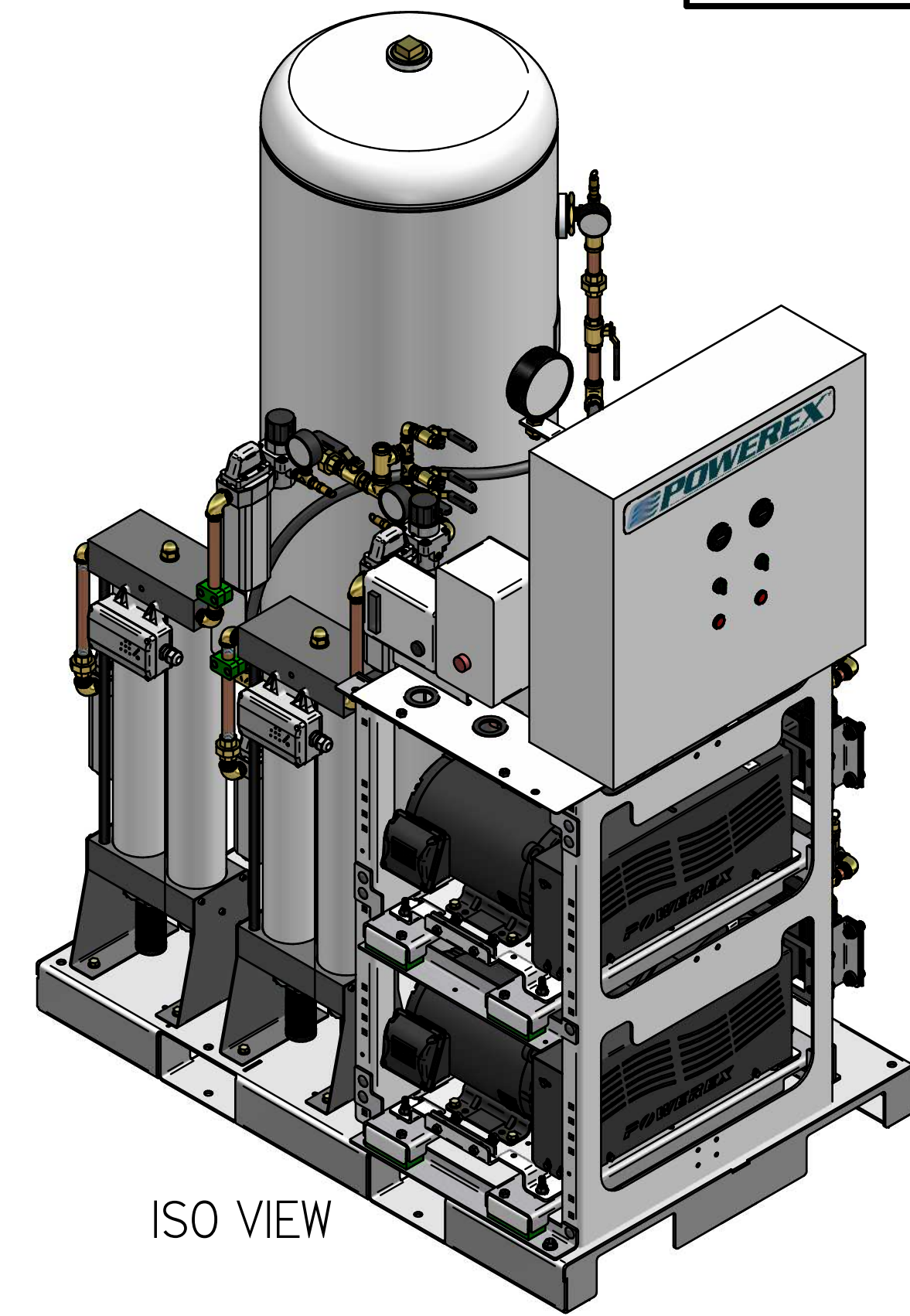
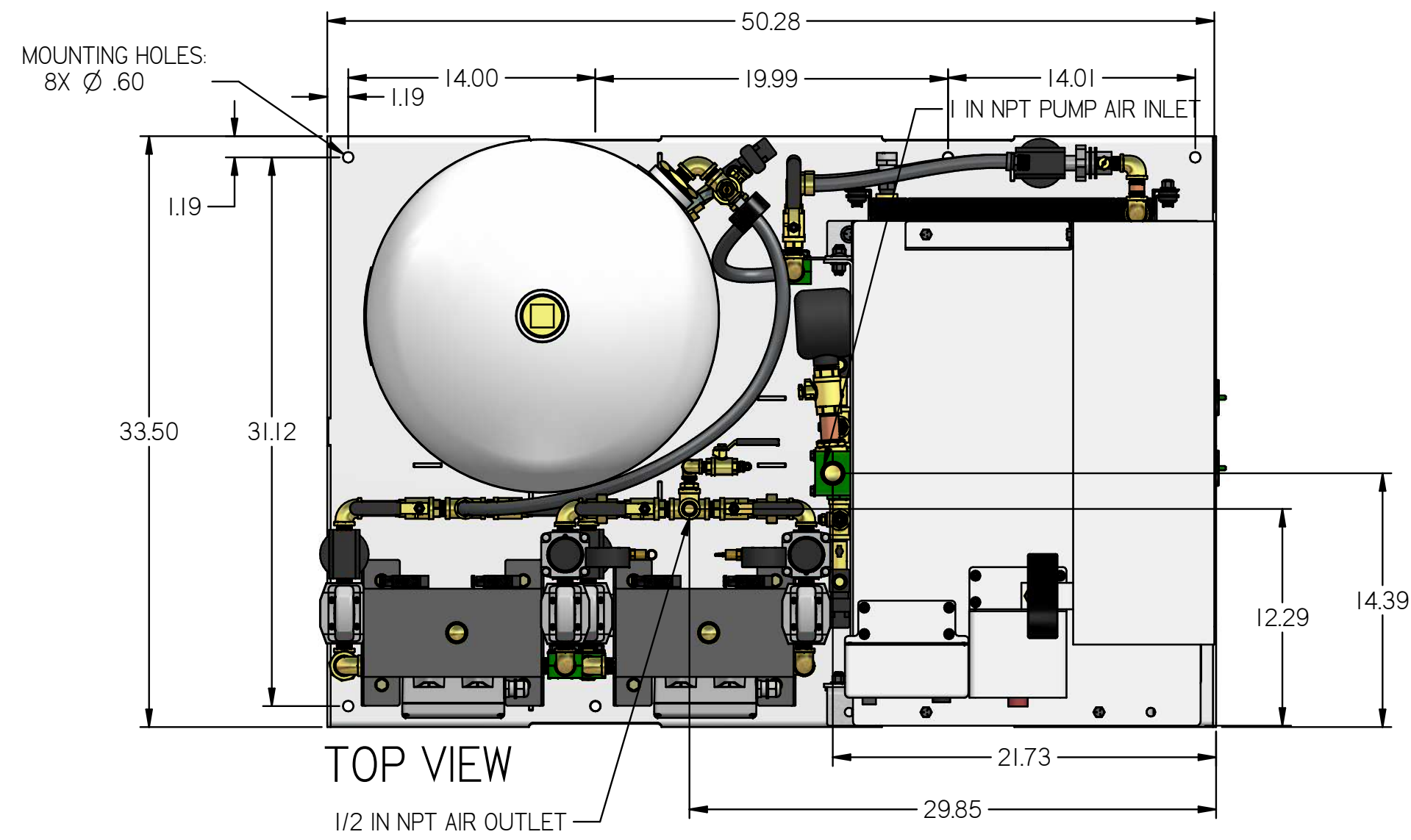
- NOTES:
- APPROX SYSTEM WEIGHT: 1184 LB
  - 24" MINIMUM MAINTENANCE CLEARANCE RECOMMENDED ALL SIDES. CLEARANCE FOR CONTROL PANEL SHALL BE IN ACCORDANCE WITH OSHA/NEC REQUIREMENTS

SYMBOL LEGEND		DRAWINGS TO CONFORM TO CURRENT REVISION OF THE FOLLOWING ANSI STANDARDS: Y14.3 MULTI AND SECTIONAL VIEW DIMS Y14.5 DIMENSIONING AND TOLERANCING	
TOLERANCES NOT SPECIFIED	SOLID EDGE DRAWING	DO NOT SCALE DRAWING FOR DIMENSIONS	
0.XXX ± .01	INCH	SHEET 1 OF 5	SCALE 1:10
0.XXX ± .005		APPROVALS ON FILE IN PLM	
<small>CONFIDENTIAL DISCLOSURE</small> This drawing is the property of POWEREX of the SCOTT FETTER COMPANY and is subject to return on demand. Its contents are confidential and must not be copied or submitted to outside parties for use or examination.		A Soulek	10/11/2018
ITEM NO: 716456	MATERIAL: SEE PART DRAWINGS		
DESCRIPTION: MEDICAL OPEN SCROLL SYSTEM 5 HP DUPLEX WITH 80 GALLON TANK	DRAWING NUMBER: MSD05A3	REVISION: A	SIZE: D

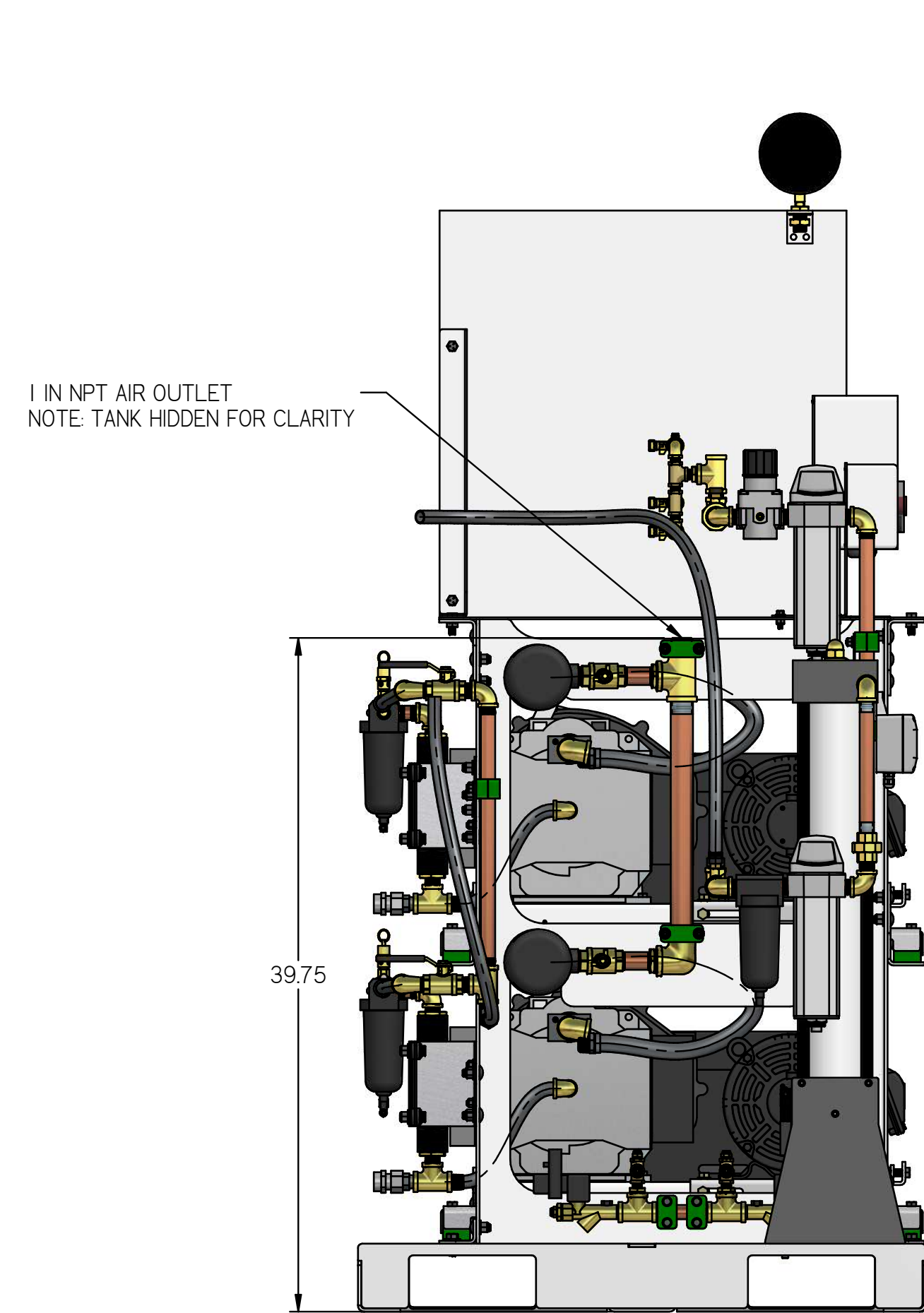
REVISION NOTES		
DESCRIPTION	ECN	PR/NOR
PRODUCTION RELEASE	PXECO169	N/A

# MSD05A3

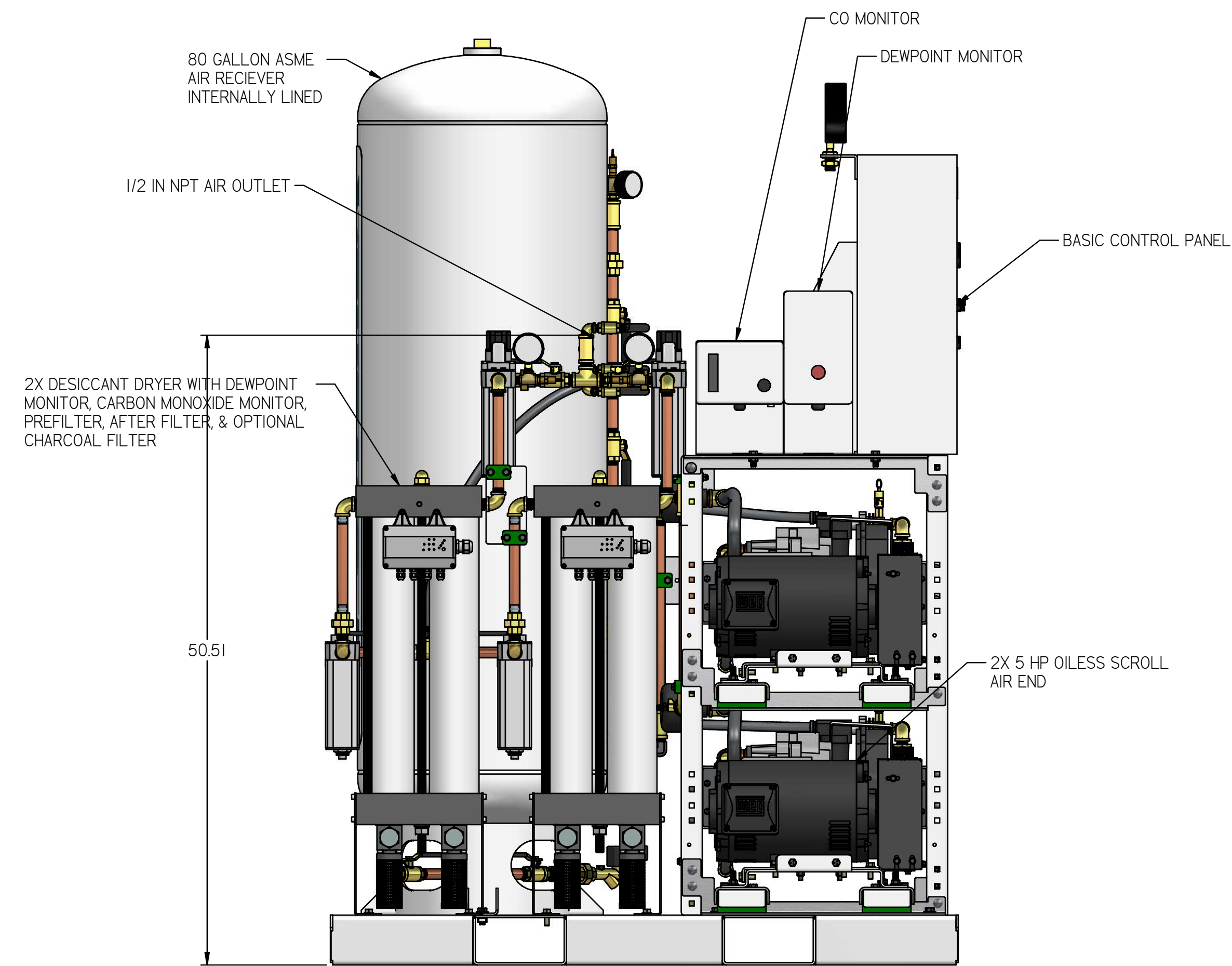
MEDICAL OPEN SCROLL  
SYSTEM 5 HP DUPLEX WITH  
80 GALLON TANK  
BASIC PANEL



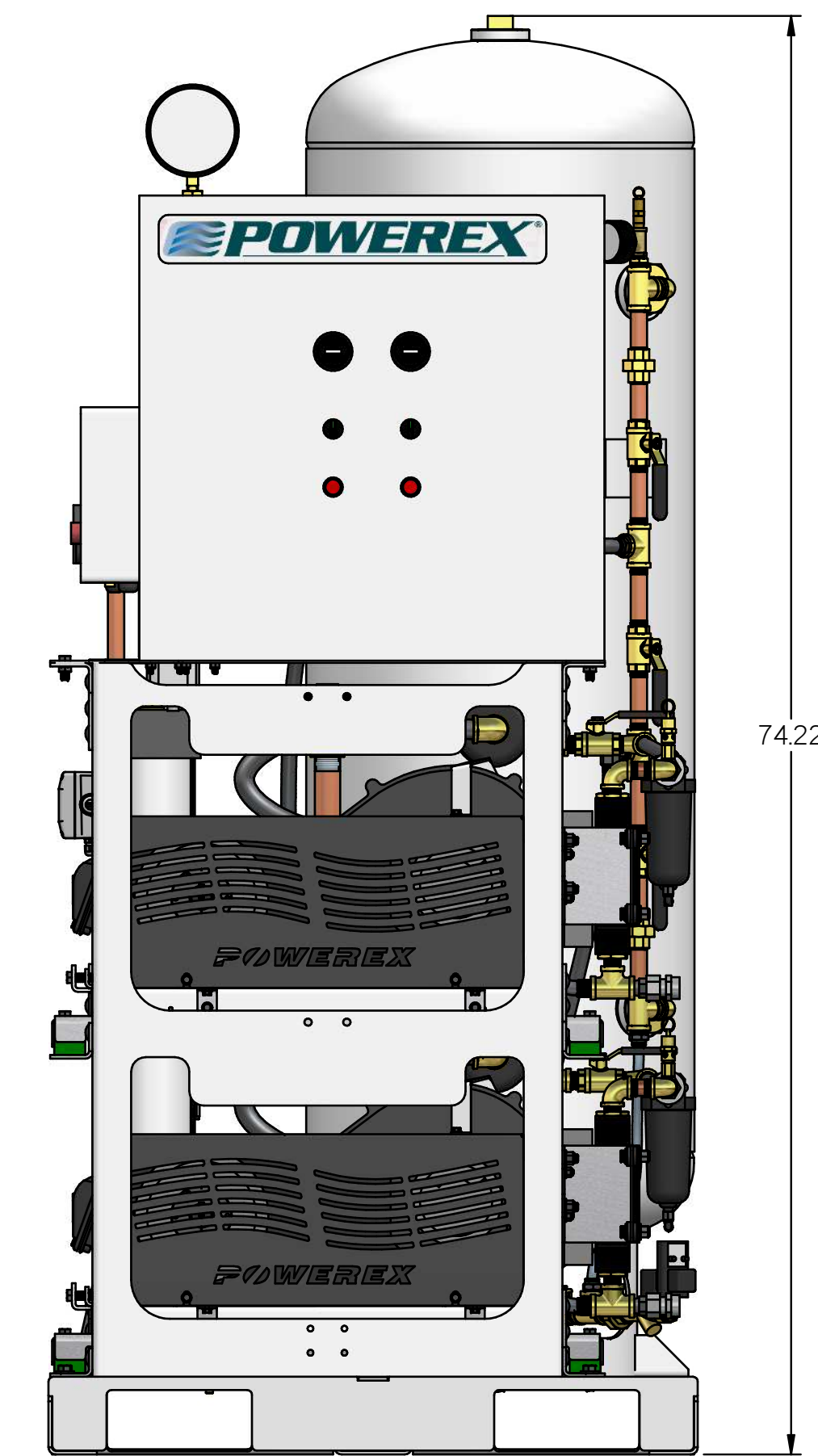
ISO VIEW



LEFT VIEW



FRONT VIEW



RIGHT VIEW

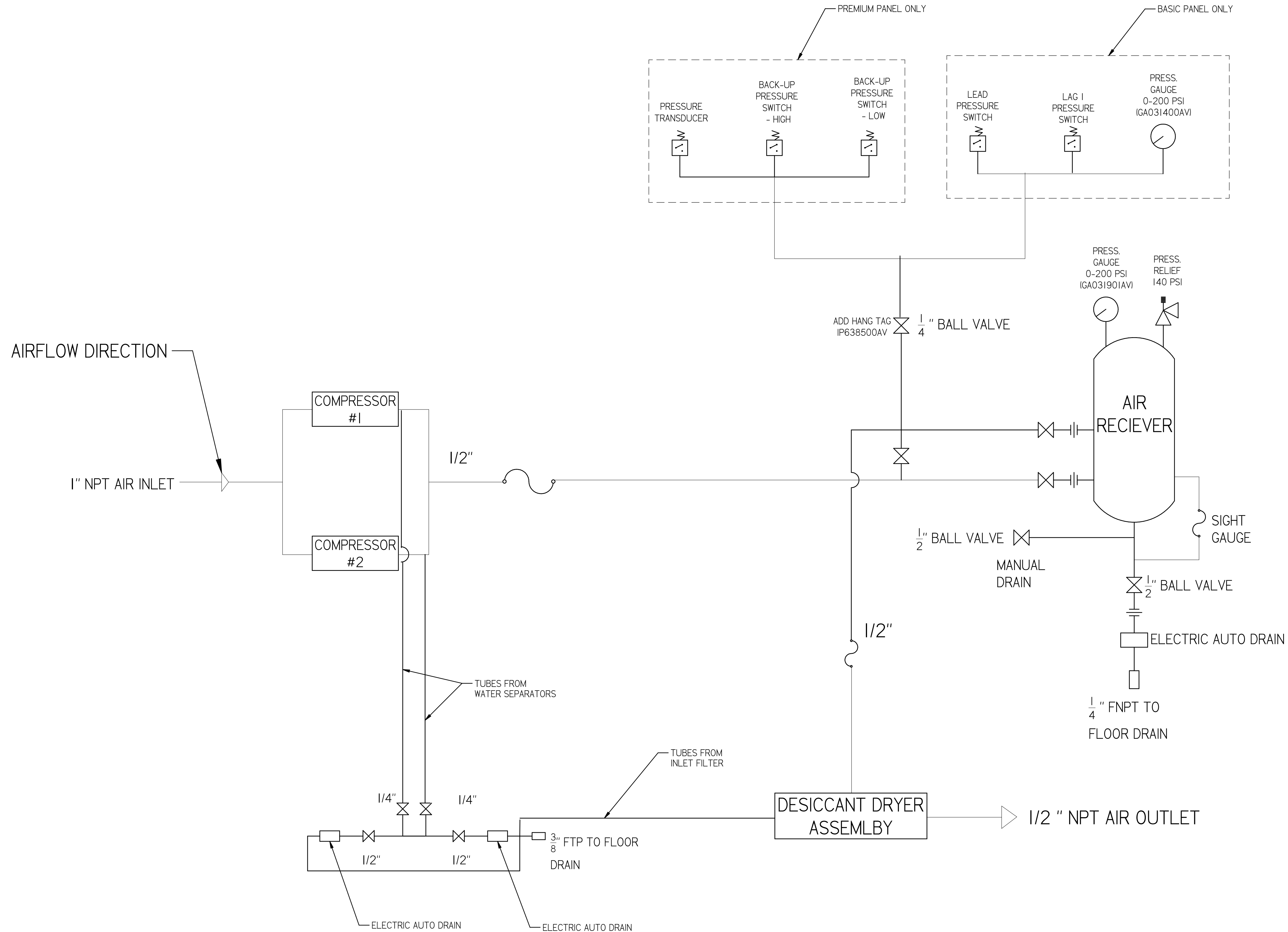
- NOTES:  
1. APPROX SYSTEM WEIGHT: 1184 LB  
2. 24" MINIMUM MAINTENANCE CLEARANCE RECOMMENDED ALL SIDES. CLEARANCE FOR CONTROL PANEL SHALL BE IN ACCORDANCE WITH OSHA/NEC REQUIREMENTS

SYMBOL LEGEND		DRAWINGS TO CONFORM TO CURRENT REVISION OF THE FOLLOWING ANSI STANDARDS:	
TOLERANCES NOT SPECIFIED	SOLID EDGE DRAWING	Y14.3 MULTI AND SECTIONAL VIEW DIMS	Y14.5 DIMENSIONING AND TOLERANCING
0.XXX ± .01	DO NOT SCALE DRAWING FOR DIMENSIONS	SHEET 2 OF 5	SCALE 1:8
0.XXX ± .005			
± .5	INCH	APPROVALS ON FILE IN PLM	
<small>CONFIDENTIAL DISCLOSURE</small> This drawing is the property of POWEREX of the SCOTT FETTER COMPANY and is subject to return on demand. Its contents are confidential and must not be copied or submitted to outside parties for use or examination.		AUTHOR	ORIGINATION DATE
TITLE: 716456 MATERIAL: SEE PART DRAWINGS DESCRIPTION: MEDICAL OPEN SCROLL SYSTEM 5 HP DUPLEX WITH 80 GALLON TANK		ASoulek	10/11/2018
DRAWING NUMBER: MSD05A3 REVISION: A SIZE: D			

REVISION NOTES		
DESCRIPTION	ECN	PR/NOR
PRODUCTION RELEASE	PXECO169	N/A

# MSD05A3

MEDICAL OPEN SCROLL  
SYSTEM 5 HP DUPLEX WITH  
80 GALLON TANK  
FLOW DIAGRAM



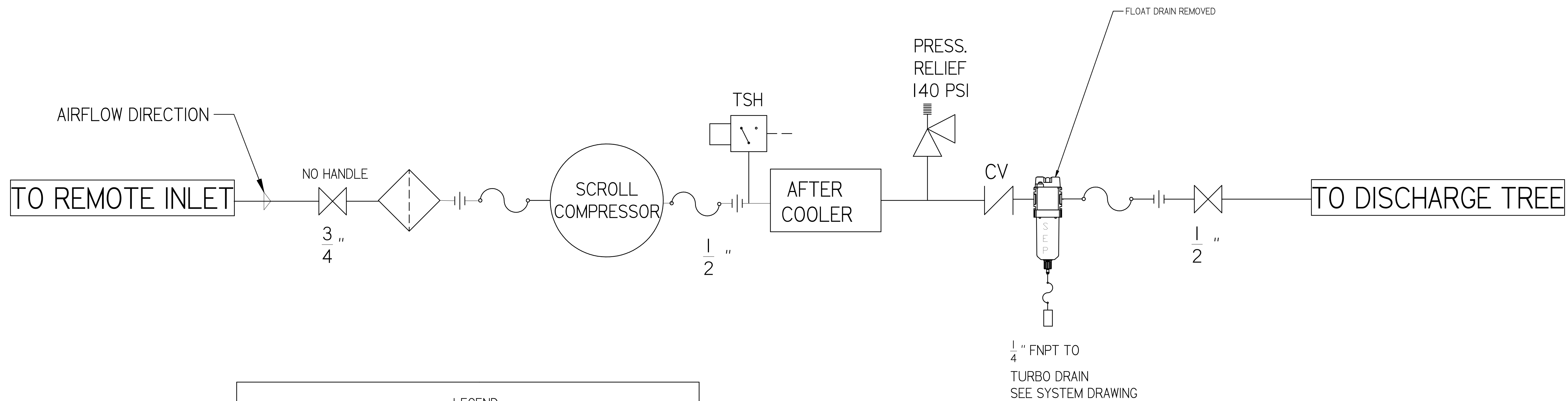
SYMBOL LEGEND		DRAWINGS TO CONFORM TO CURRENT REVISION OF THE FOLLOWING ANSI STANDARDS:	
		Y14.3 MULTI AND SECTIONAL VIEW DIMS	
		Y14.5 DIMENSIONING AND TOLERANCING	
TOLERANCES NOT SPECIFIED	SOLID EDGE DRAWING	DO NOT SCALE DRAWING FOR DIMENSIONS	
0.XXX ± .01		SHEET 3 OF 5	SCALE 1:1
0.XXX ± .005	INCH		
<small>CONFIDENTIAL DISCLOSURE</small> This drawing is the property of POWEREX or the SCOTT FETTER COMPANY and is subject to return on demand. Its contents are confidential and must not be copied or submitted to outside parties for use or examination.		AUTHOR	APPROVALS ON FILE IN PLM
<small>THIS IS:</small> 716456 <small>MATERIAL:</small> SEE PART DRAWINGS		ASoulek	10/11/2018
<small>DESCRIPTION:</small> MEDICAL OPEN SCROLL SYSTEM 5 HP DUPLEX WITH 80 GALLON TANK		<small>DRAWING NUMBER:</small> MSD05A3	<small>REVISION:</small> A
			<small>SIZE:</small> D



REVISION NOTES		
DESCRIPTION	ECN	PR/NOR
PRODUCTION RELEASE	PXECO169	N/A

# MSD05A3

MEDICAL OPEN SCROLL  
SYSTEM 5 HP DUPLEX WITH  
80 GALLON TANK  
MEDICAL COMPRESSOR  
FLOW DIAGRAM



LEGEND	
	RELIEF VALVE
	INTAKE FILTER
	AIR FILTER
	3 WAY VALVE
	CARBON FILTER
	BALL VALVE
	PRESSURE SWITCH
	REGULATOR
	SEPARATOR
	CHECK VALVE
	FLEX LINE
	TSH HIGH TEMP SWITCH

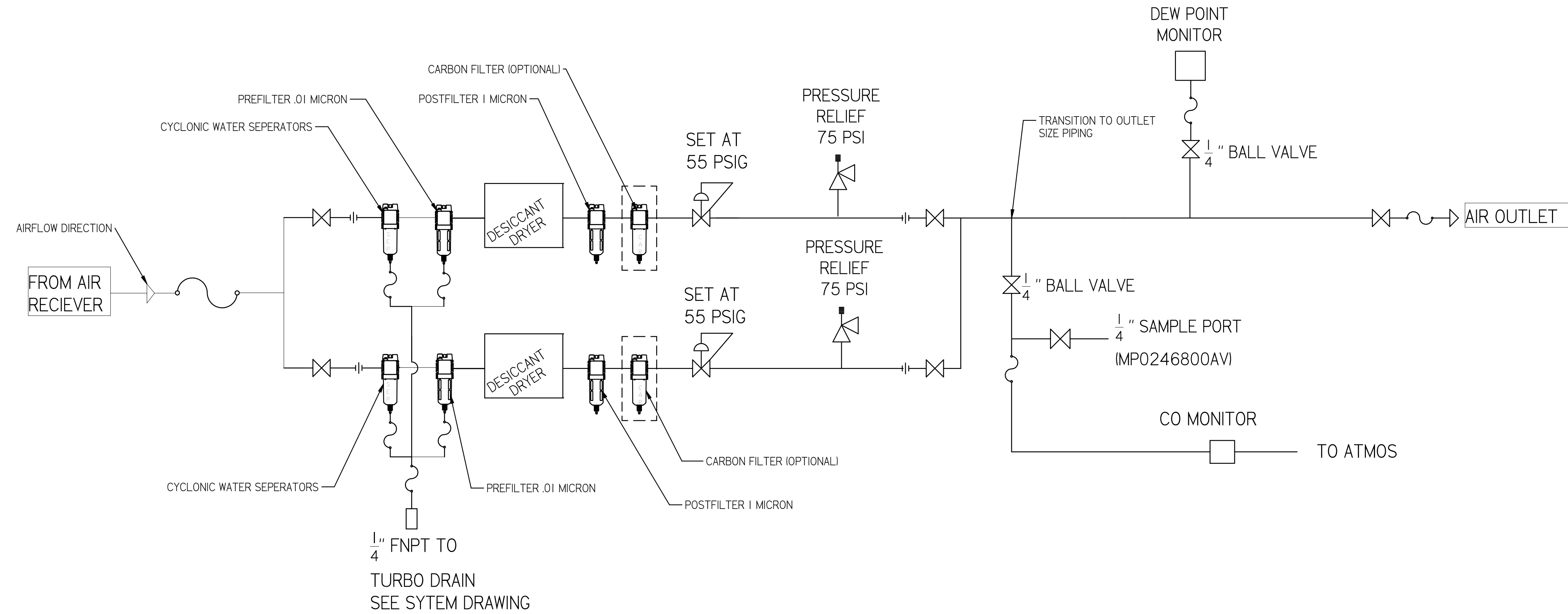
SYMBOL LEGEND		DRAWINGS TO CONFORM TO CURRENT REVISION OF THE FOLLOWING ANSI STANDARDS:	
		Y14.3 MULTI AND SECTIONAL VIEW DWGS Y14.5 DIMENSIONING AND TOLERANCING	
TOLERANCES NOT SPECIFIED	SOLID EDGE DRAWING	DO NOT SCALE DRAWING FOR DIMENSIONS	
0.001 ± .01	INCH	SHEET 4 OF 5	SCALE   1:1
0.0005 ± .0005			
<small>CONFIDENTIAL DISCLOSURE</small> This drawing is the property of POWEREX of the SCOTT FETTER COMPANY and is subject to return on demand. Its contents are confidential and must not be copied or submitted to outside parties for use or examination.		AUTHOR	APPROVALS ON FILE IN PLM
TITLE: 716456 MATERIAL: SEE PART DRAWINGS		ORIGINATION DATE: 10/11/2018	
DESCRIPTION: MEDICAL OPEN SCROLL SYSTEM 5 HP DUPLEX WITH 80 GALLON TANK		DRAWING NUMBER: MSD05A3	REVISION: A SIZE: D



REVISION NOTES		
DESCRIPTION	ECN	PR/NOR
PRODUCTION RELEASE	PXECO169	N/A

# MSD05A3

MEDICAL OPEN SCROLL  
SYSTEM 5 HP DUPLEX WITH  
80 GALLON TANK  
MEDICAL DRYER  
FLOW DIAGRAM



PIPE SIZE CHART		
PUMP COUNT	DRYER PLUMBING SIZE	OUTLET PIPE SIZE
2	1/2"	1/2"
3	1/2"	1"
4	1/2"	1"
6	1"	1-1/2"
8	1"	1-1/2"
9	1"	1-1/2"
12	1-1/2"	2"
15	1-1/2"	2"
18	1-1/2"	2"

SYMBOL LEGEND		DRAWINGS TO CONFORM TO CURRENT REVISION OF THE FOLLOWING ANSI STANDARDS: #14.3 MULTI AND SECTIONAL VIEW DIMS #14.5 DIMENSIONING AND TOLERANCING	
TOLERANCES NOT SPECIFIED	SOLID EDGE DRAWING	DO NOT SCALE DRAWING FOR DIMENSIONS	
0.XXX ± .01	INCH	SHEET 5 OF 5	SCALE 1:1
0.XXX ± .005			
<small>CONFIDENTIAL DISCLOSURE</small> This drawing is the property of POWEREX of the SCOTT FETTER COMPANY and is subject to return on demand. Its contents are confidential and must not be copied or submitted to outside parties for use or examination.		AUTHOR	ORIGINATION DATE
<small>CONFIDENTIAL DISCLOSURE</small> This drawing is the property of POWEREX of the SCOTT FETTER COMPANY and is subject to return on demand. Its contents are confidential and must not be copied or submitted to outside parties for use or examination.		ASoulek	10/11/2018
<small>CONFIDENTIAL DISCLOSURE</small> This drawing is the property of POWEREX of the SCOTT FETTER COMPANY and is subject to return on demand. Its contents are confidential and must not be copied or submitted to outside parties for use or examination.			
<small>CONFIDENTIAL DISCLOSURE</small> This drawing is the property of POWEREX of the SCOTT FETTER COMPANY and is subject to return on demand. Its contents are confidential and must not be copied or submitted to outside parties for use or examination.		DRAWING NUMBER MSD05A3	REVISION A
<small>CONFIDENTIAL DISCLOSURE</small> This drawing is the property of POWEREX of the SCOTT FETTER COMPANY and is subject to return on demand. Its contents are confidential and must not be copied or submitted to outside parties for use or examination.		DESCRIPTION MEDICAL OPEN SCROLL SYSTEM 5 HP DUPLEX WITH 80 GALLON TANK	SIZE D