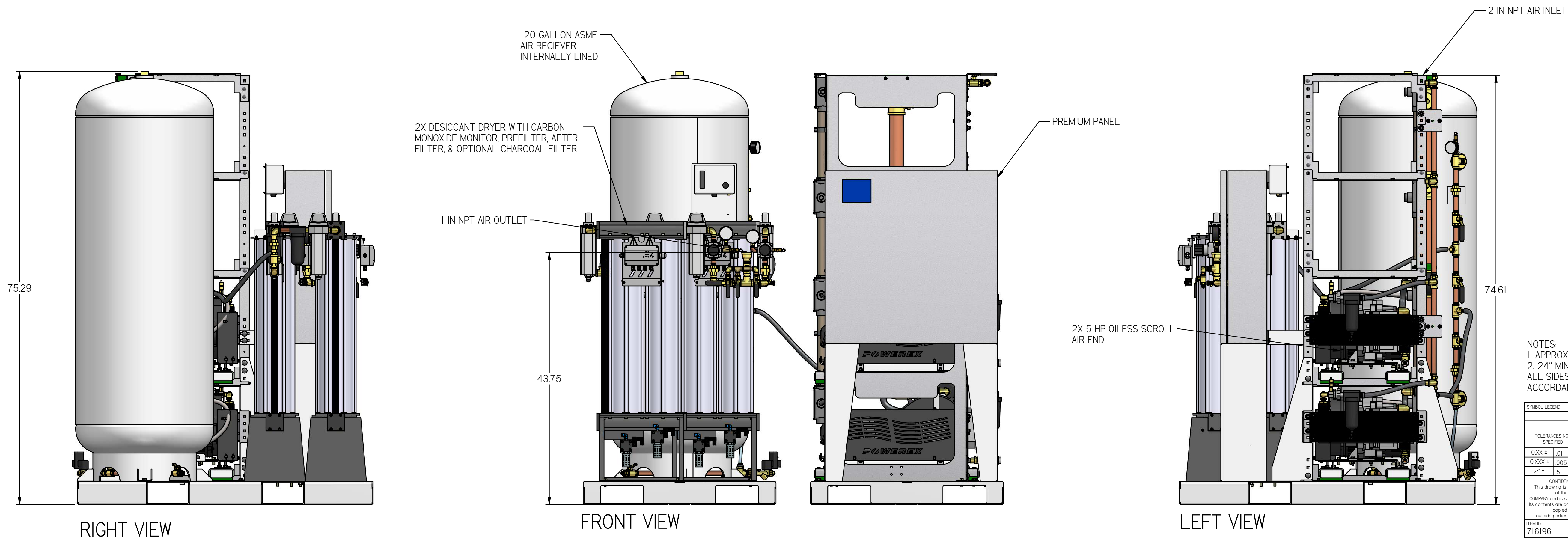
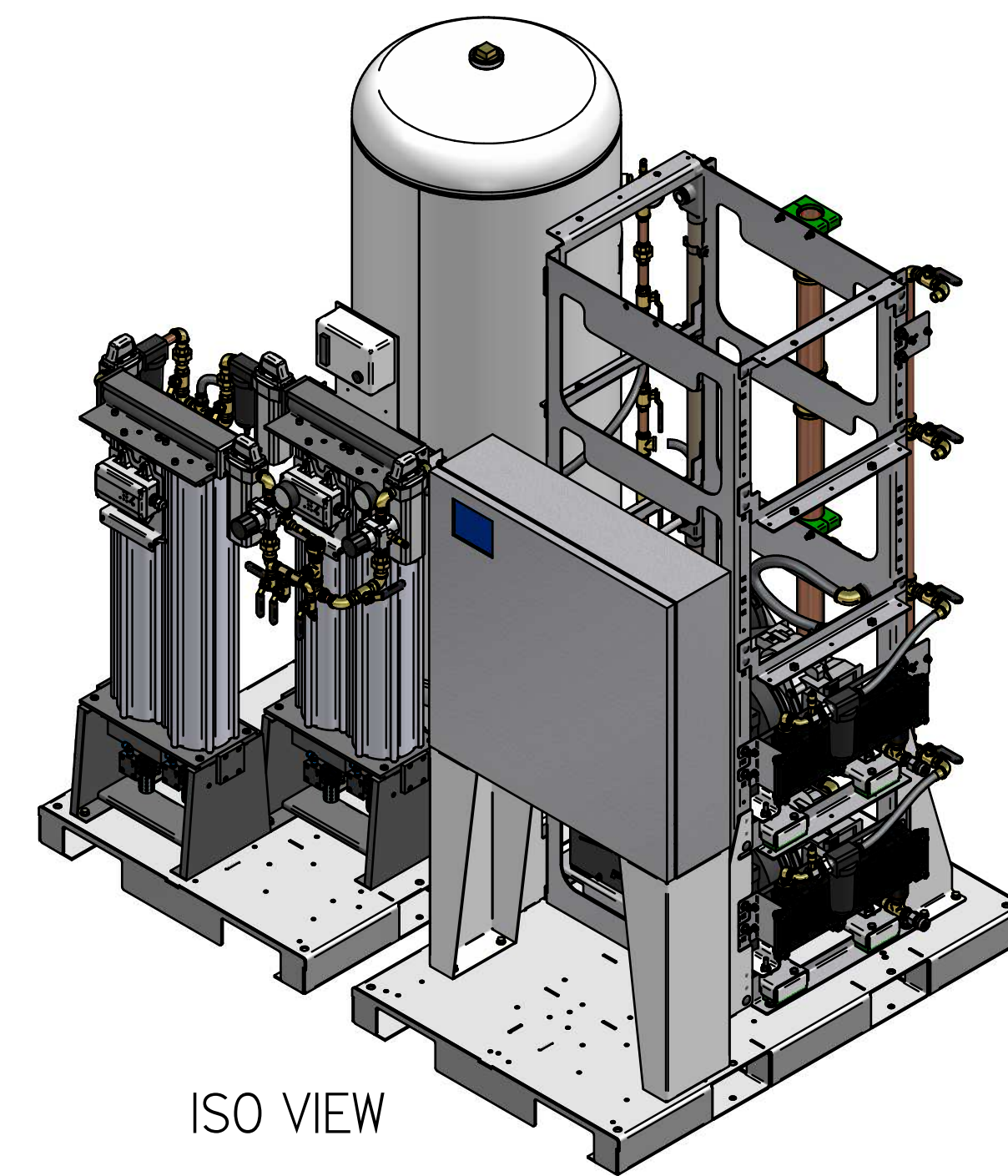
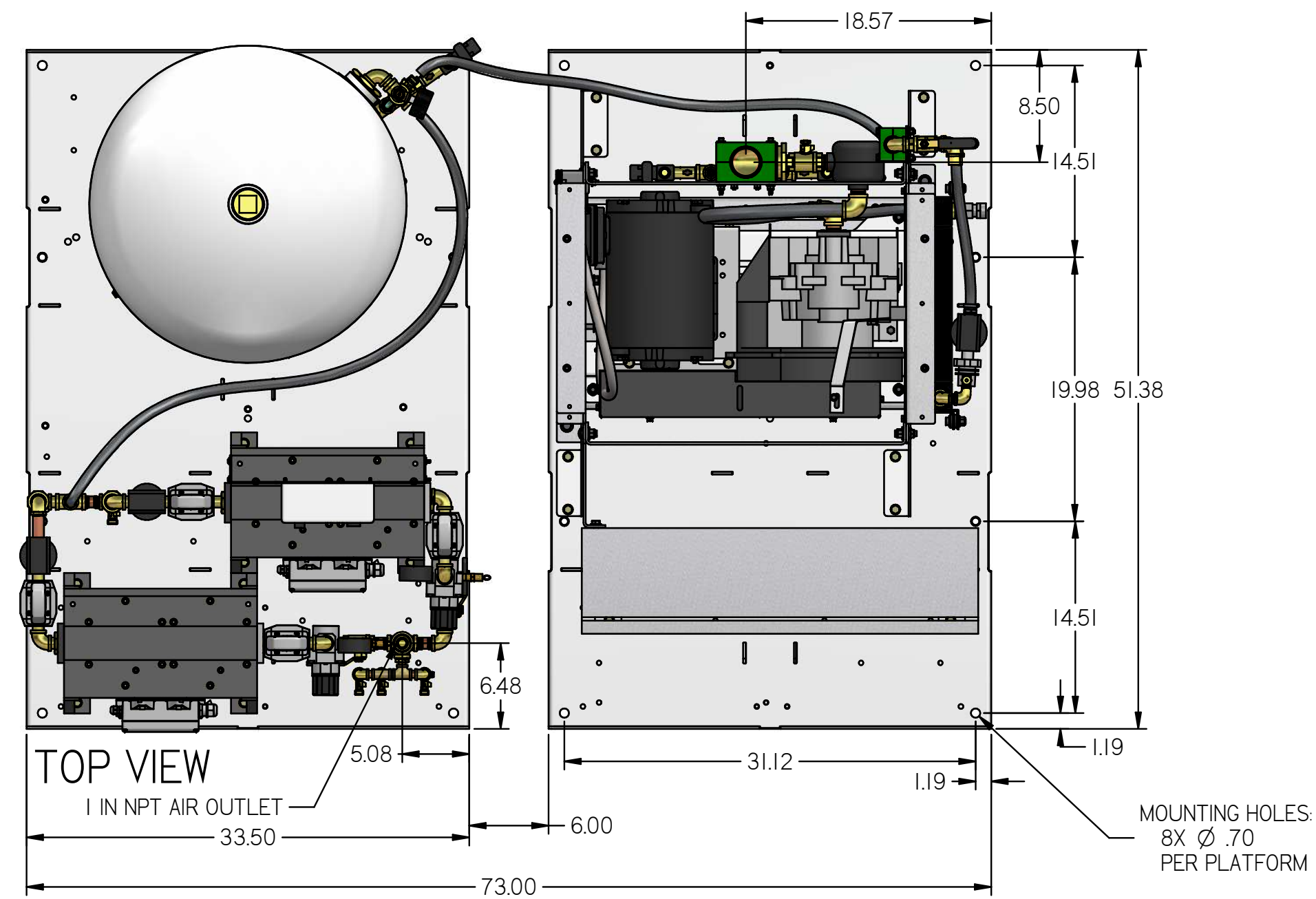


# MSD05A4-EX4

MEDICAL OPEN SCROLL  
SYSTEM 5 HP EXPANDABLE  
DUPLEX 120 GALLON TANK  
PREMIUM PANEL

REVISION NOTES		
DESCRIPTION	ECN	PR/NOR
PRODUCTION RELEASE	PXEC0169	N/A



- NOTES:  
1. APPROX SYSTEM WEIGHT: 1694 LB  
2. 24" MINIMUM MAINTENANCE CLEARANCE RECOMMENDED ALL SIDES. CLEARANCE FOR CONTROL PANEL SHALL BE IN ACCORDANCE WITH OSHA/NEC REQUIREMENTS

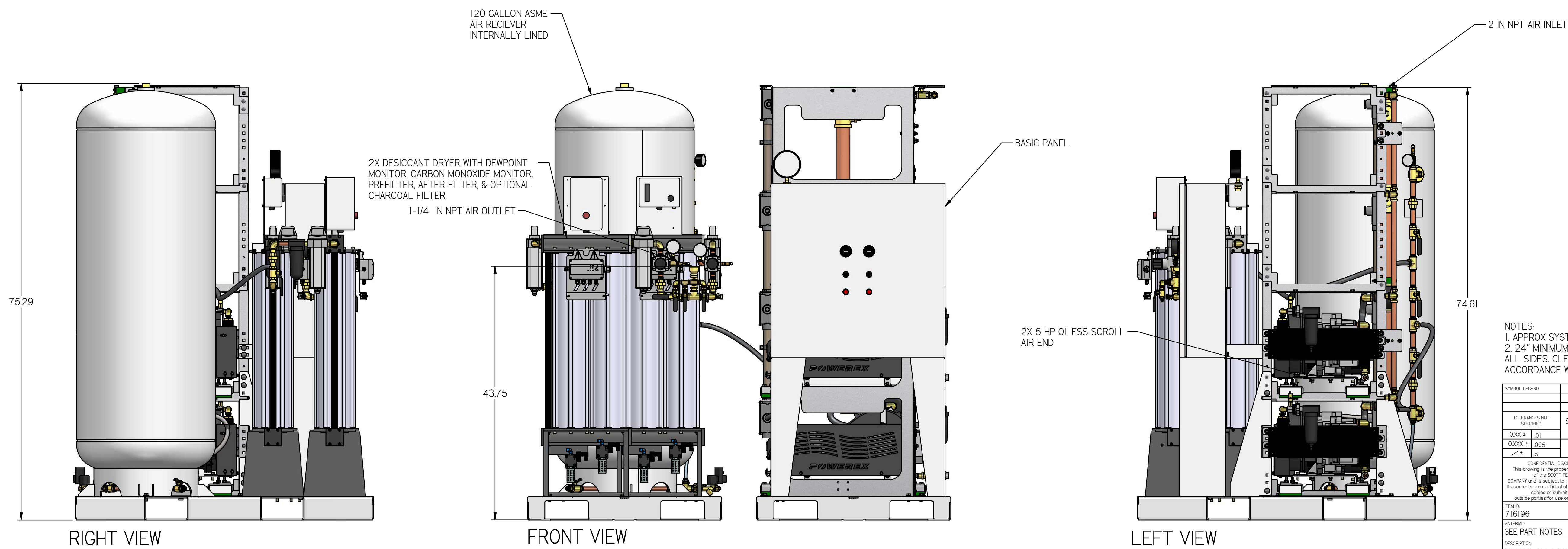
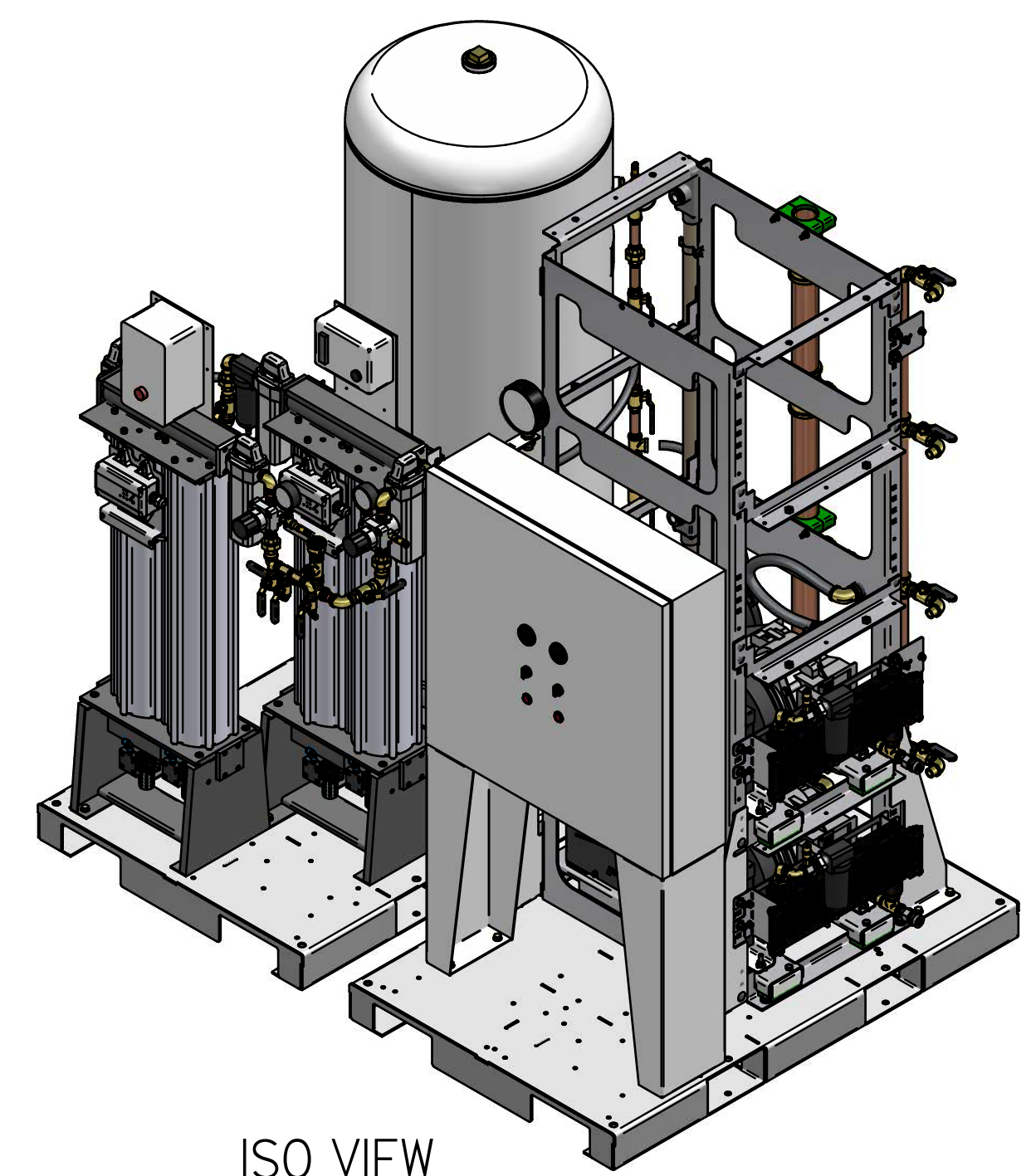
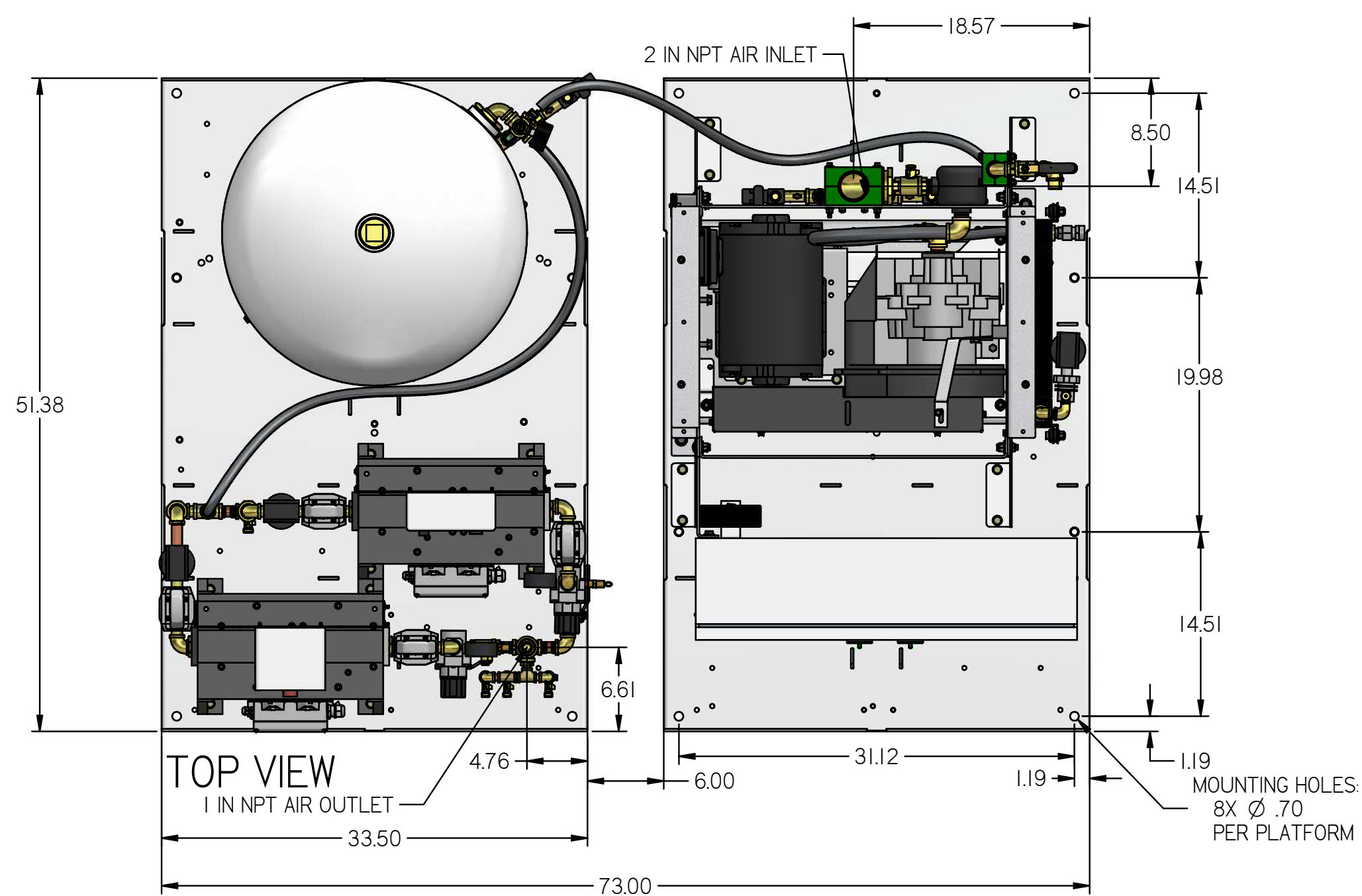
SYMBOL LEGEND		DRAWINGS TO CONFORM TO CURRENT REVISION OF THE FOLLOWING ANSI STANDARDS:	
TOLERANCES NOT SPECIFIED	SOLID EDGE DRAWING	DO NOT SCALE DRAWING FOR DIMENSIONS	
0.XXX ± .01	INCH	SHEET 1 OF 5	SCALE 1:10
0.XXX ± .005		APPROVALS ON FILE IN PLM	
<small>CONFIDENTIAL DISCLOSURE</small> This drawing is the property of POWEREX of the SCOTT FETTER COMPANY and is subject to return on demand. Its contents are confidential and must not be copied or submitted to outside parties for use or examination.		AUTHOR	ORIGINATION DATE
DRAWING NUMBER: 716196 MATERIAL: SEE PART NOTES		ASoulek	10/11/2018
DESCRIPTION: MEDICAL OPEN SCROLL SYSTEM 5 HP EXPANDABLE DUPLEX 120 GALLON TANK		DRAWING NUMBER: MSD05A4-EX4	REVISION: A
		SIZE: A	SIZE: D



# MSD05A4-EX4

MEDICAL OPEN SCROLL  
SYSTEM 5 HP EXPANDABLE  
DUPLEX 120 GALLON TANK  
BASIC PANEL

REVISION NOTES		
DESCRIPTION	ECN	PR/NOR
PRODUCTION RELEASE	PXECO169	N/A



- NOTES:
- APPROX SYSTEM WEIGHT: 1694 LB
  - 24" MINIMUM MAINTENANCE CLEARANCE RECOMMENDED ALL SIDES. CLEARANCE FOR CONTROL PANEL SHALL BE IN ACCORDANCE WITH OSHA/NEC REQUIREMENTS

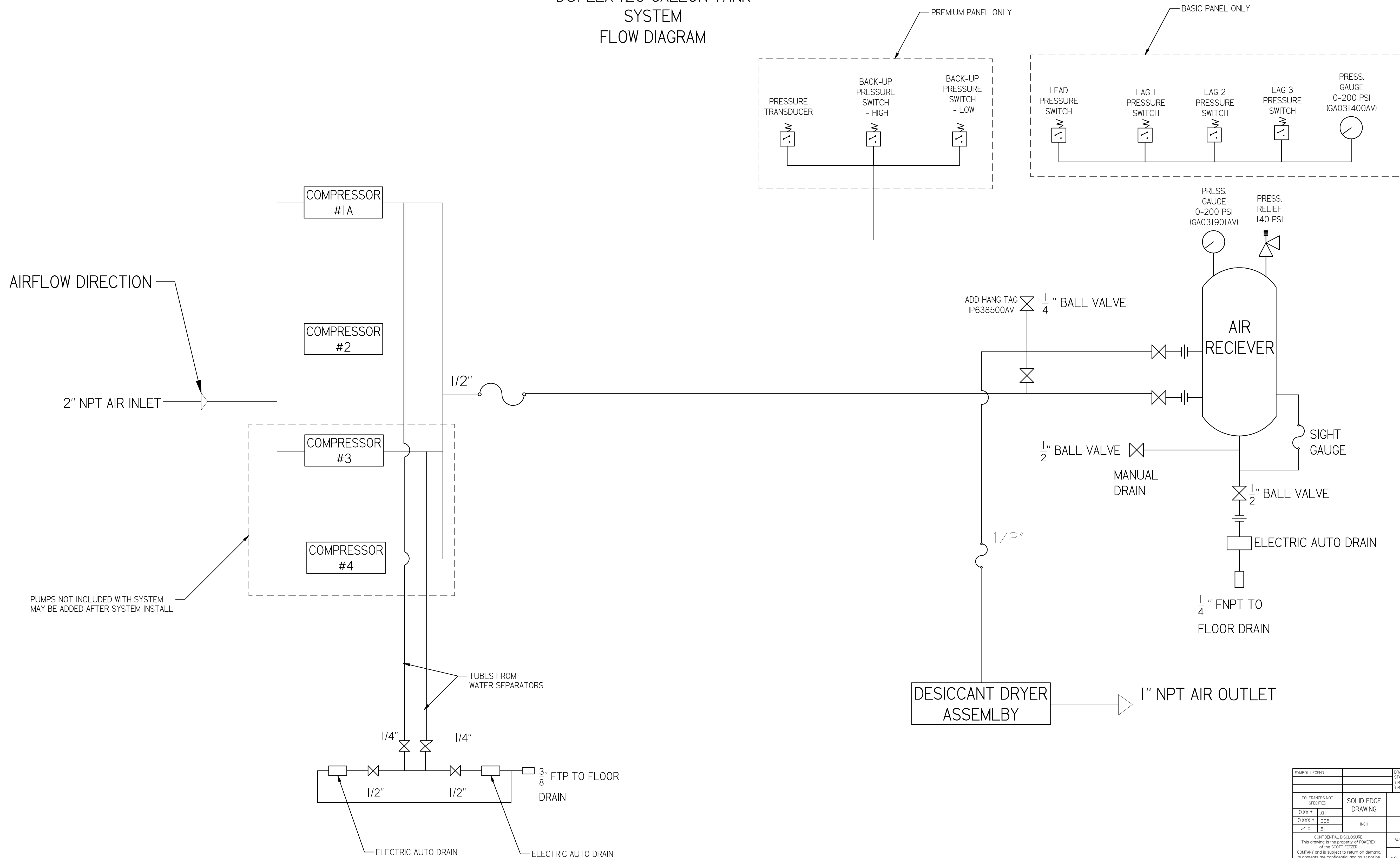
SYMBOL LEGEND		DRAWINGS TO CONFORM TO CURRENT REVISION OF THE FOLLOWING ANSI STANDARDS:		
TOLERANCES NOT SPECIFIED	SOLID EDGE DRAWING	DO NOT SCALE DRAWING FOR DIMENSIONS		
0.XXX ± .01	INCH	SHEET 2 OF 5	SCALE	I:10
0.XXX ± .005				
CONFIDENTIAL DISCLOSURE: This drawing is the property of POWEREX of the SCOTT FETTER COMPANY and is subject to return on demand. Its contents are confidential and must not be copied or submitted to outside parties for use or examination.		AUTHOR	ORIGINATION DATE	APPROVALS ON FILE IN PLM
MATERIAL: 716196		ASoulek	10/11/2018	
SEE PART NOTES		DRAWING NUMBER: MSD05A4-EX4		
DESCRIPTION: MEDICAL OPEN SCROLL SYSTEM 5 HP EXPANDABLE DUPLEX 120 GALLON TANK		REVISION	SIZE	
		A	D	



# MSD05A4-EX4

MEDICAL OPEN SCROLL  
SYSTEM 5 HP EXPANDABLE  
DUPLEX 120 GALLON TANK  
SYSTEM  
FLOW DIAGRAM

REVISION NOTES		
DESCRIPTION	ECN	PR/NOR
PRODUCTION RELEASE	PXECO169	N/A



AIRFLOW DIRECTION

2" NPT AIR INLET

COMPRESSOR #1A

COMPRESSOR #2

COMPRESSOR #3

COMPRESSOR #4

PUMPS NOT INCLUDED WITH SYSTEM  
MAY BE ADDED AFTER SYSTEM INSTALL

1/2"

1/2"

TUBES FROM  
WATER SEPARATORS

1/4"

1/4"

3/8" FTP TO FLOOR  
DRAIN

ELECTRIC AUTO DRAIN

ELECTRIC AUTO DRAIN

ADD HANG TAG  
IP638500AV

1/4" BALL VALVE

PRESS. GAUGE  
0-200 PSI  
IGA031901AV

PRESS. RELIEF  
140 PSI

AIR RECIEVER

SIGHT GAUGE

1/2" BALL VALVE

MANUAL DRAIN

1/2" BALL VALVE

ELECTRIC AUTO DRAIN

1/4" FNPT TO  
FLOOR DRAIN

DESICCANT DRYER  
ASSEMBLY

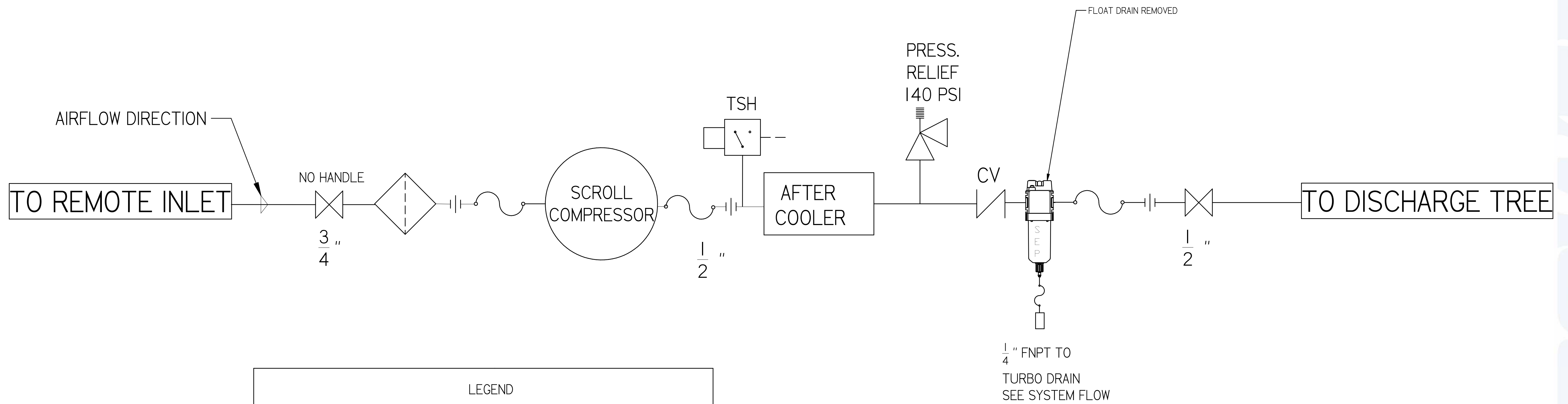
1" NPT AIR OUTLET

SYMBOL LEGEND		DRAWINGS TO CONFORM TO CURRENT REVISION OF THE FOLLOWING ANSI STANDARDS:	
		Y14.3 MULTI AND SECTIONAL VIEW DIMS	
		Y14.5 DIMENSIONING AND TOLERANCING	
TOLERANCES NOT SPECIFIED	SOLID EDGE DRAWING	DO NOT SCALE DRAWING FOR DIMENSIONS	
0.XXX ± .01		SHEET 3 OF 5	SCALE   1:1
0.XXX ± .005	INCH		
CONFIDENTIAL DISCLOSURE This drawing is the property of POWEREX of the SCOTT FETTER COMPANY and is subject to return on demand. Its contents are confidential and must not be copied or submitted to outside parties for use or examination.		AUTHOR	APPROVALS ON FILE IN PLM
ITEM NO: 716196		ASoulek	10/11/2018
MATERIAL: SEE PART NOTES			
DESCRIPTION: MEDICAL OPEN SCROLL SYSTEM 5 HP EXPANDABLE DUPLEX 120 GALLON TANK		DRAWING NUMBER: MSD05A4-EX4	REVISION A D

# MSD05A4-EX4

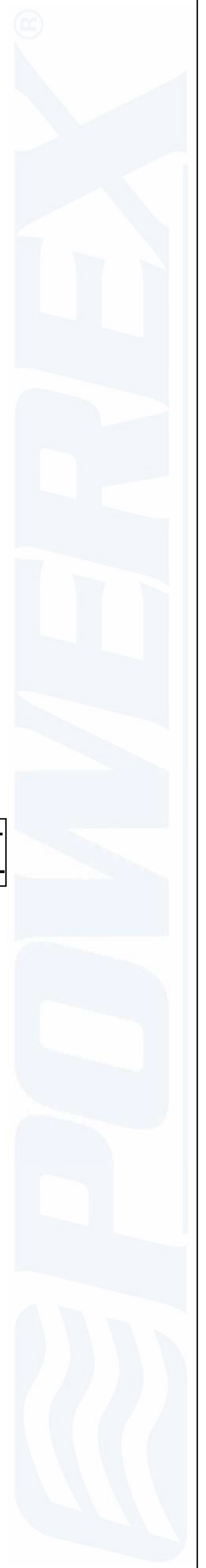
MEDICAL OPEN SCROLL  
SYSTEM 5 HP EXPANDABLE  
DUPLEX 120 GALLON TANK  
MEDICAL COMPRESSOR  
FLOW DIAGRAM

REVISION NOTES		
DESCRIPTION	ECN	PR/NOR
PRODUCTION RELEASE	PXECO169	N/A



LEGEND	
	RELIEF VALVE
	INTAKE FILTER
	AIR FILTER
	3 WAY VALVE
	CARBON FILTER
	BALL VALVE
	PRESSURE SWITCH
	REGULATOR
	SEPARATOR
	CHECK VALVE
	FLEX LINE
	TSH HIGH TEMP SWITCH

SYMBOL LEGEND		DRAWINGS TO CONFORM TO CURRENT REVISION OF THE FOLLOWING ANSI STANDARDS:	
		Y14.3 MULTI AND SECTIONAL VIEW DWGS	
		Y14.5 DIMENSIONING AND TOLERANCING	
TOLERANCES NOT SPECIFIED	SOLID EDGE DRAWING	DO NOT SCALE DRAWING FOR DIMENSIONS	
0.001 ± .001		SHEET 4 OF 5	SCALE 1:1
0.005 ± .005	INCH		
<small>CONFIDENTIAL DISCLOSURE</small> This drawing is the property of POWEREX of the SCOTT FETTER COMPANY and is subject to return on demand. Its contents are confidential and must not be copied or submitted to outside parties for use or examination.		AUTHOR	APPROVALS ON FILE IN PLM
FROM: 716196 MATERIAL: SEE PART NOTES		ASoulek	10/11/2018
DESCRIPTION: MEDICAL OPEN SCROLL SYSTEM 5 HP EXPANDABLE DUPLEX 120 GALLON TANK		DRAWING NUMBER: MSD05A4-EX4	REVISION: A SIZE: D

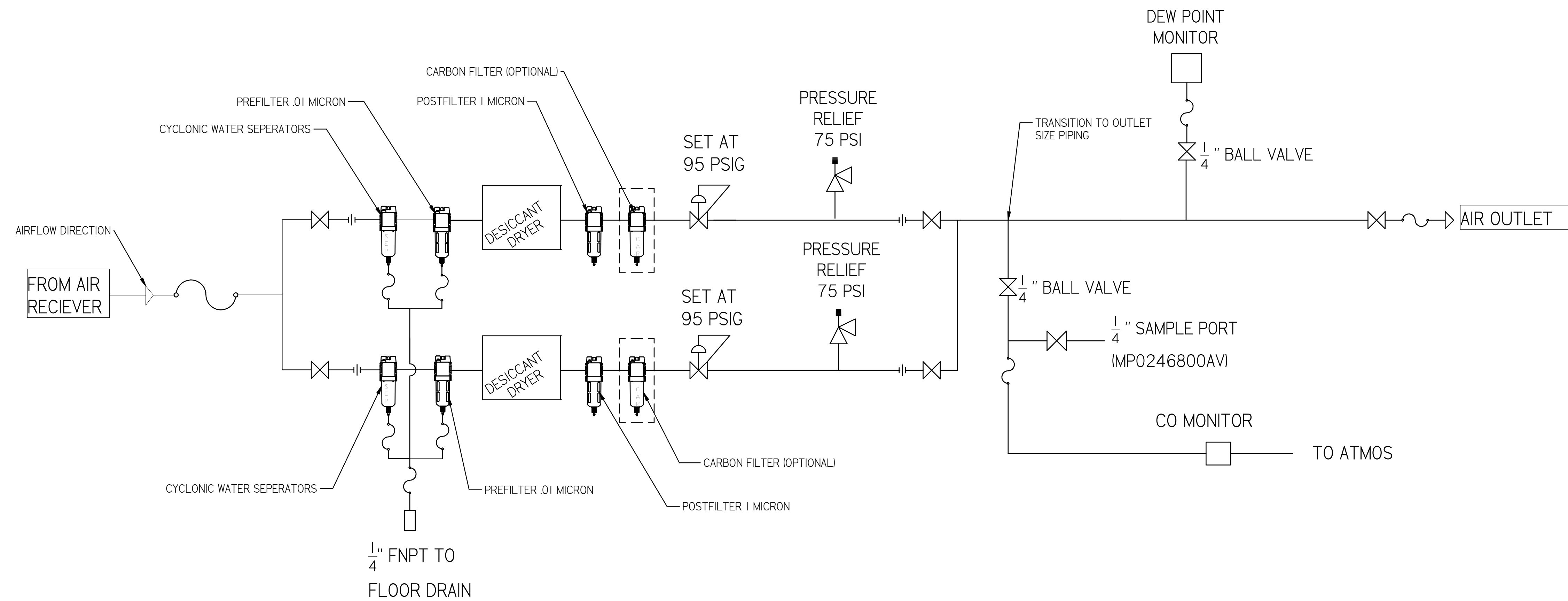


REVISION NOTES		
DESCRIPTION	ECN	PR/NOR
PRODUCTION RELEASE	PXECO169	N/A

# MSD05A4-EX4

MEDICAL OPEN SCROLL  
SYSTEM 5 HP EXPANDABLE  
DUPLEX 120 GALLON TANK

MEDICAL DRYER  
FLOW DIAGRAM



PIPE SIZE CHART		
PUMP COUNT	DRYER PLUMBING SIZE	OUTLET PIPE SIZE
2	1/2"	1/2"
3	1/2"	1"
4	1/2"	1"
6	1"	1-1/2"
8	1"	1-1/2"
9	1"	1-1/2"
12	1-1/2"	2"
15	1-1/2"	2"
18	1-1/2"	2"

SYMBOL LEGEND		DRAWINGS TO CONFORM TO CURRENT REVISION OF THE FOLLOWING ANSI STANDARDS: #14.3 MULTI AND SECTIONAL VIEW DIMS #14.5 DIMENSIONING AND TOLERANCING	
TOLERANCES NOT SPECIFIED	SOLID EDGE DRAWING	DO NOT SCALE DRAWING FOR DIMENSIONS	
0.XXX ± .01	INCH	SHEET 5 OF 5	SCALE 1:1
0.XXX ± .005			
± .5			
<small>CONFIDENTIAL DISCLOSURE</small> <small>This drawing is the property of POWEREX of the SCOTT FETTER COMPANY and is subject to return on demand. Its contents are confidential and must not be copied or submitted to outside parties for use or examination.</small>		AUTHOR	ORIGINATION DATE
<small>CONFIDENTIAL DISCLOSURE</small> <small>This drawing is the property of POWEREX of the SCOTT FETTER COMPANY and is subject to return on demand. Its contents are confidential and must not be copied or submitted to outside parties for use or examination.</small>		ASoulek	10/11/2018
<small>CONFIDENTIAL DISCLOSURE</small> <small>This drawing is the property of POWEREX of the SCOTT FETTER COMPANY and is subject to return on demand. Its contents are confidential and must not be copied or submitted to outside parties for use or examination.</small>			
<small>CONFIDENTIAL DISCLOSURE</small> <small>This drawing is the property of POWEREX of the SCOTT FETTER COMPANY and is subject to return on demand. Its contents are confidential and must not be copied or submitted to outside parties for use or examination.</small>		<small>150 PRODUCTION DRIVE, HARRISON OH 45030</small> <small>(888) 768-7079</small>	
DESCRIPTION	DRAWING NUMBER	REVISION	SIZE
MEDICAL OPEN SCROLL SYSTEM 5 HP EXPANDABLE DUPLEX 120 GALLON TANK	MSD05A4-EX4	A	D