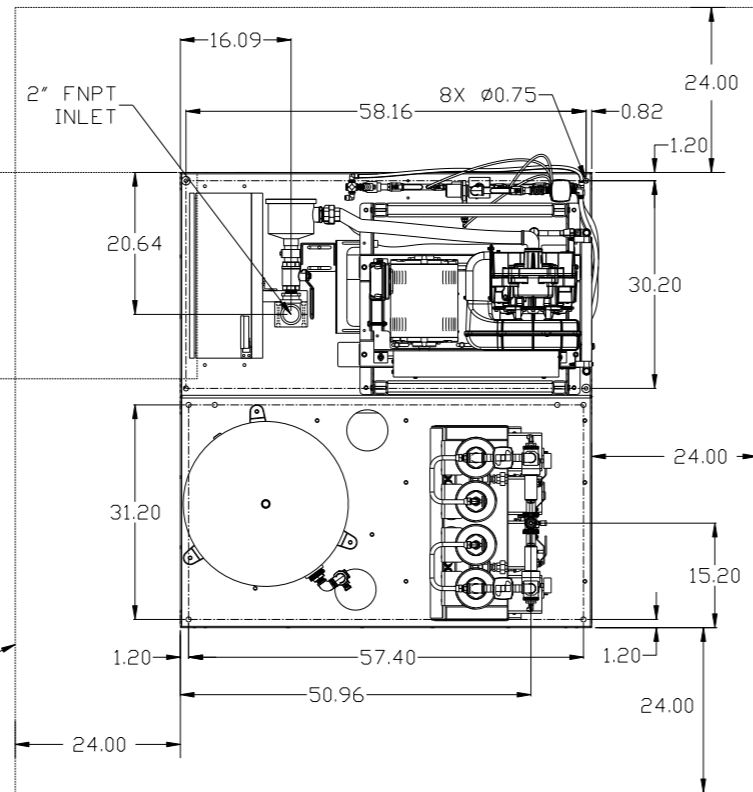


REV	ZONE	REVISION	DATE	ECN	NAME	CHKD
B-1	ALL	RELEASE TO PRODUCTION	1/29/16	PXEC0138	AEK	GES
C-1	2 ALL 2 ALL 1 ALL 1 ALL	CORRECTED SEPARATOR BRAIN LINES TO 1/4" ADDED NOTE TO REMOVE SEPARATOR FLDAT ADDED OUTLINE FOR RECOMMENDED CLEARANCES UPDATED INLET TREE	01/11/17	PXEC0167	MJD	GES

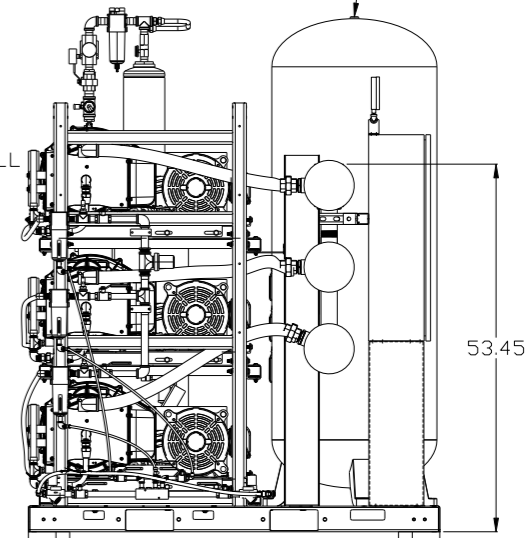
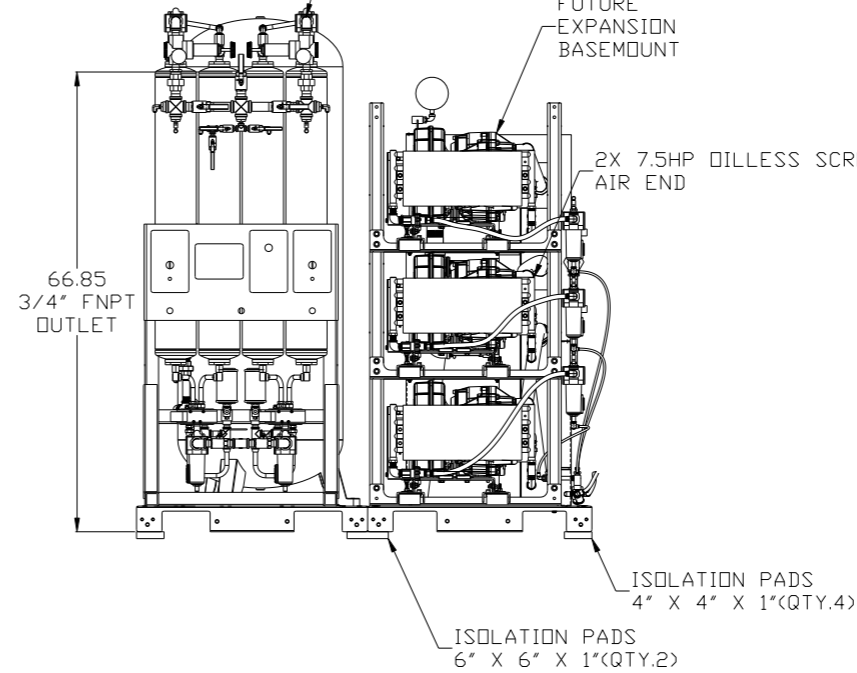
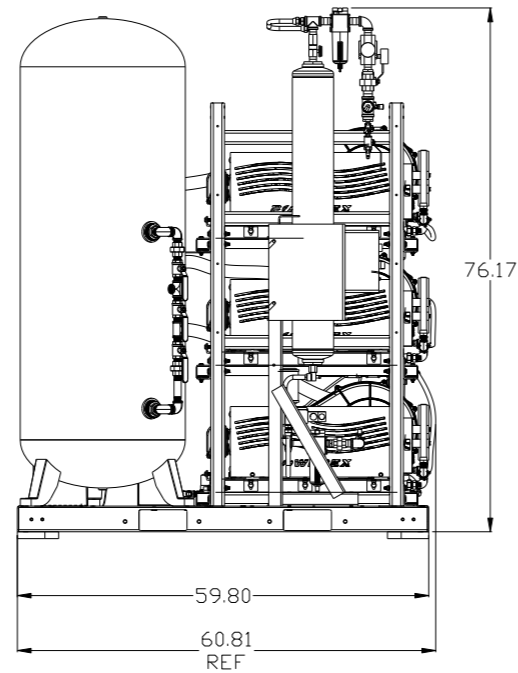
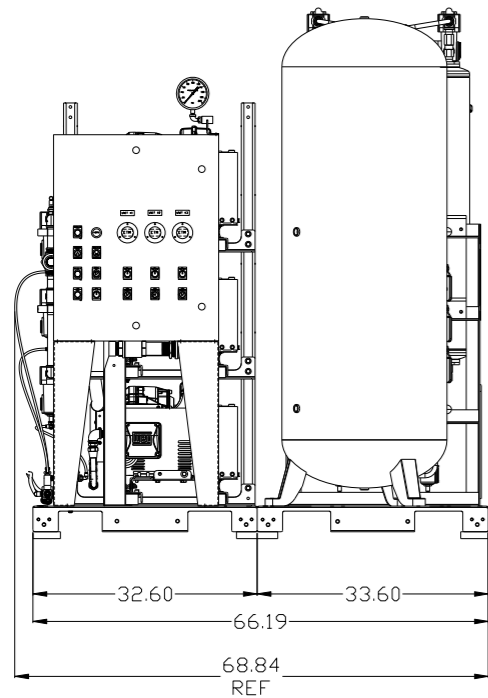
MINIMUM RECOMMENDED ELECTRICAL PANEL CLEARANCE PER OSHA/NEC REQUIREMENTS

MINIMUM RECOMMENDED MAINTENANCE CLEARANCE



2X DESICCANT DRYER W/ DEW POINT MONITOR, CARBON MONOXIDE MONITOR, PRE FILTER, AFTER FILTER & OPTIONAL CHARCOAL FILTER.

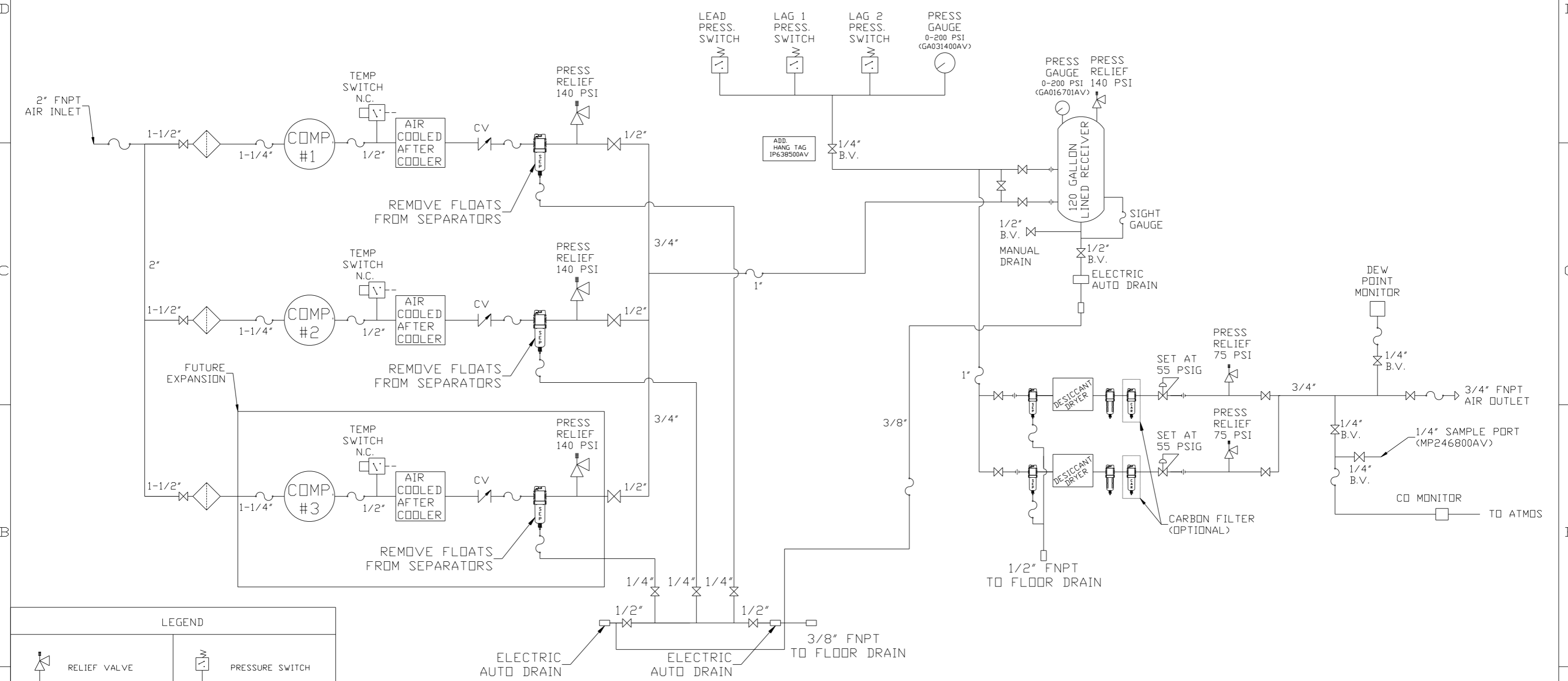
120 GALLON ASME AIR RECEIVER INTERNALLY LINED



NOTE: SYSTEM DESIGNED IN COMPLIANCE WITH US NFPA'99, LATEST EDITION.

SYMBOL LEGEND		= ADDITIONAL CONTROL REQ'D		Drawings to conform to the current revision of the following ANSI standards:	
⊖	MINUS DRAFT	⊕	PLUS DRAFT	⊖	BRINELL HARDNESS
TOLERANCES NOT SPECIFIED		AUTOCAD REL2014 LT		DO NOT SCALE DRAWING FOR DIMENSIONS	
.XX ±		INCH		Sheet 1 of 2	
.XXX ±				SCALE 1:14	
<<DEG>> ±					
CONFIDENTIAL DISCLOSURE: This drawing is the property of POWEREX, INC. of the SCOTT FETZER COMPANY and subject to return on demand. Its contents are confidential and must not be copied or submitted to outside parties for use or examination.					
DRAWN BY		CHECKED BY		APPROVED BY	
AEK		GES		KMD JJ	
1/29/16		8/13/15		1/29/16 1/29/16	
MATERIAL		N/A			
PART NAME		DUPLX SCROLL EXP			
		7.5HP 120GAL BASEMOUNT		150 PRODUCTION DRIVE, HARRISON, OHIO 45030	
		DUPLX DESICCANT		Ph: 888-769-7979 FAX: (513) 367-3125	
DWG NO		MSD0754-EX3		SIZE D	

REV	ZONE	REVISION	DATE	ECN	NAME	CHKD
B-1	ALL	RELEASE TO PRODUCTION	1/29/16	PXEC0138	AEK	GES
C-1	2 ALL 1 ALL 1 ALL	CORRECTED SEPARATOR BRAIN LINES TO 1/4" ADDED NOTE TO REMOVE SEPARATOR FLOAT ADDED OUTLINE FOR RECOMMENDED CLEARANCES UPDATED INLET TREE	01/11/17	PXEC0167	MJD	GES



LEGEND	
	RELIEF VALVE
	INTAKE FILTER
	AIR FILTER
	3 WAY VALVE
	CARBON FILTER
	BALL VALVE
	PRESSURE SWITCH
	REGULATOR
	SEPARATOR
	CHECK VALVE
	FLEX LINE
	HIGH TEMP SWITCH
	UNION

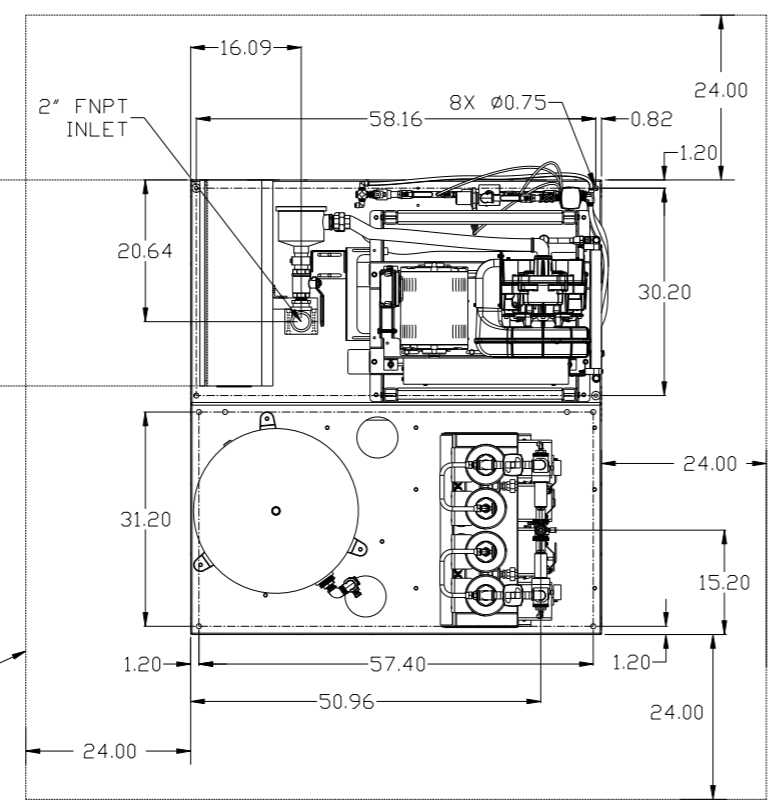
NOTES:  
 1) WITHOUT EXPANSION: IF LAG 1 COMPRESSOR IS ENERGIZED, ALARM WILL OCCUR.  
 WITH EXPANSION: IF LAG 2 COMPRESSOR IS ENERGIZED, ALARM WILL OCCUR.  
 2) PIPING TO THE INLET BY OTHERS AND TO BE PER NFPA99 4-3.1.1.9(b)  
 3) INSTRUMENTS DOWN STREAM OF SOURCE VALVE TO BE SUPPLIED BY OTHERS.

SYMBOL LEGEND			= ADDITIONAL CONTROL REQ'D	Drawings to conform to the current revision of the following ANSI standards:
	= MINUS DRAFT		= BRINELL HARDNESS	Y14.3 Multi and sectional view dgs. Y14.5M Dimensioning and tolerancing
TOLERANCES NOT SPECIFIED		AUTOCAD REL2014 LT	DO NOT SCALE DRAWING FOR DIMENSIONS	
.XX ±	.XXX ±	<< DEG > ±	Sheet 2 of 2	SCALE 1:14
CONFIDENTIAL DISCLOSURE This drawing is the property of POWEREX, INC. or the SCOTT FETZER COMPANY and subject to return on demand. Its contents are confidential and must not be copied or submitted to outside parties for use or examination.		DRAWN BY AEK	CHECKED BY GES	APPROVED BY ENGINEERING MFG/MKTG KMD JJ
MATERIAL N/A		1/29/16	8/13/15	1/29/16 1/29/16
PART NAME SCROLL DUPLEX EXPANDABLE FLOW SCHEMATIC		DWG NO MSD0754-EX3		SIZE D

REV	ZONE	REVISION	DATE	ECN	NAME	CHKD
B-1	ALL	RELEASE TO PRODUCTION	1/29/16	PXEC0138	AEK	GES
C-1	2 ALL	CORRECTED SEPARATOR DRAIN LINES TO 1/4"				
	2 ALL	ADDED NOTE TO REMOVE SEPARATOR FLOAT				
	1 ALL	ADDED OUTLINE FOR RECOMMENDED CLEARANCES	01/11/17	PXEC0167	MJD	GES
	1 ALL	UPDATED INLET TREE				

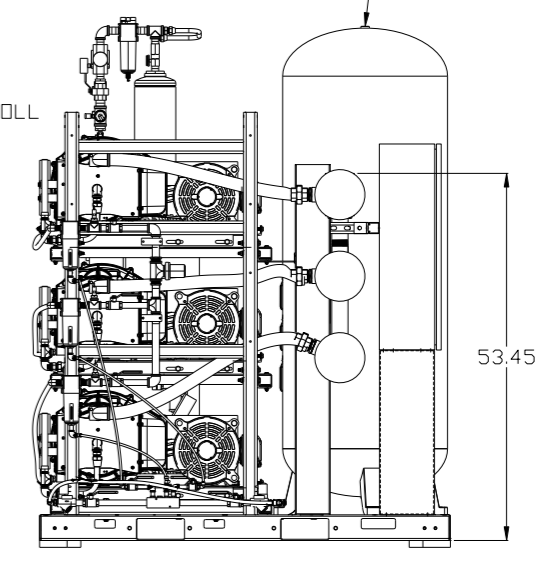
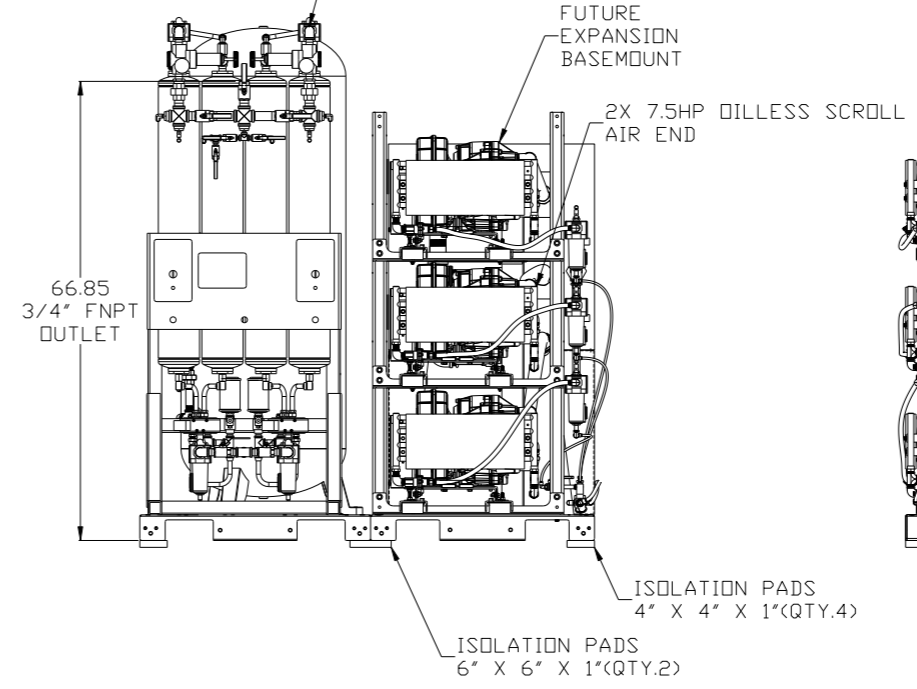
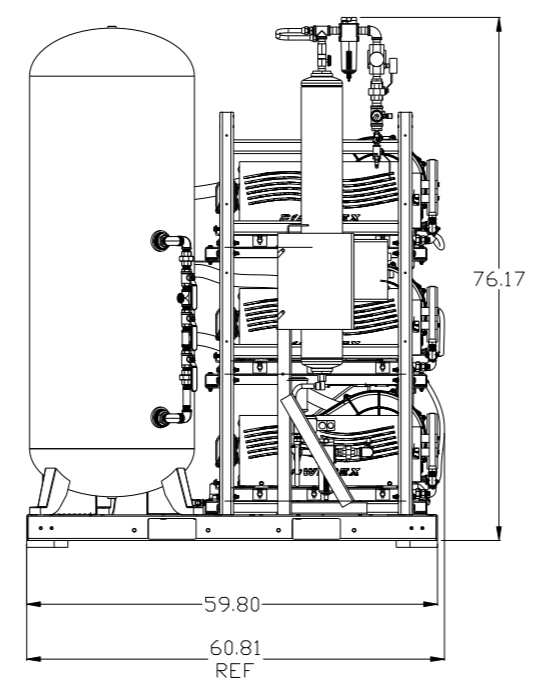
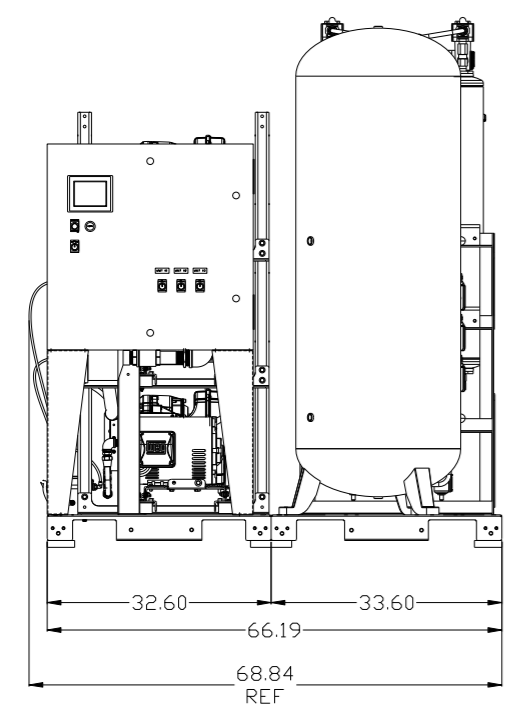
MINIMUM RECOMMENDED ELECTRICAL PANEL CLEARANCE PER OSHA/NEC REQUIREMENTS

MINIMUM RECOMMENDED MAINTENANCE CLEARANCE



2X DESICCANT DRYER W/ CARBON MONOXIDE MONITOR, PRE FILTER, AFTER FILTER & OPTIONAL CHARCOAL FILTER.

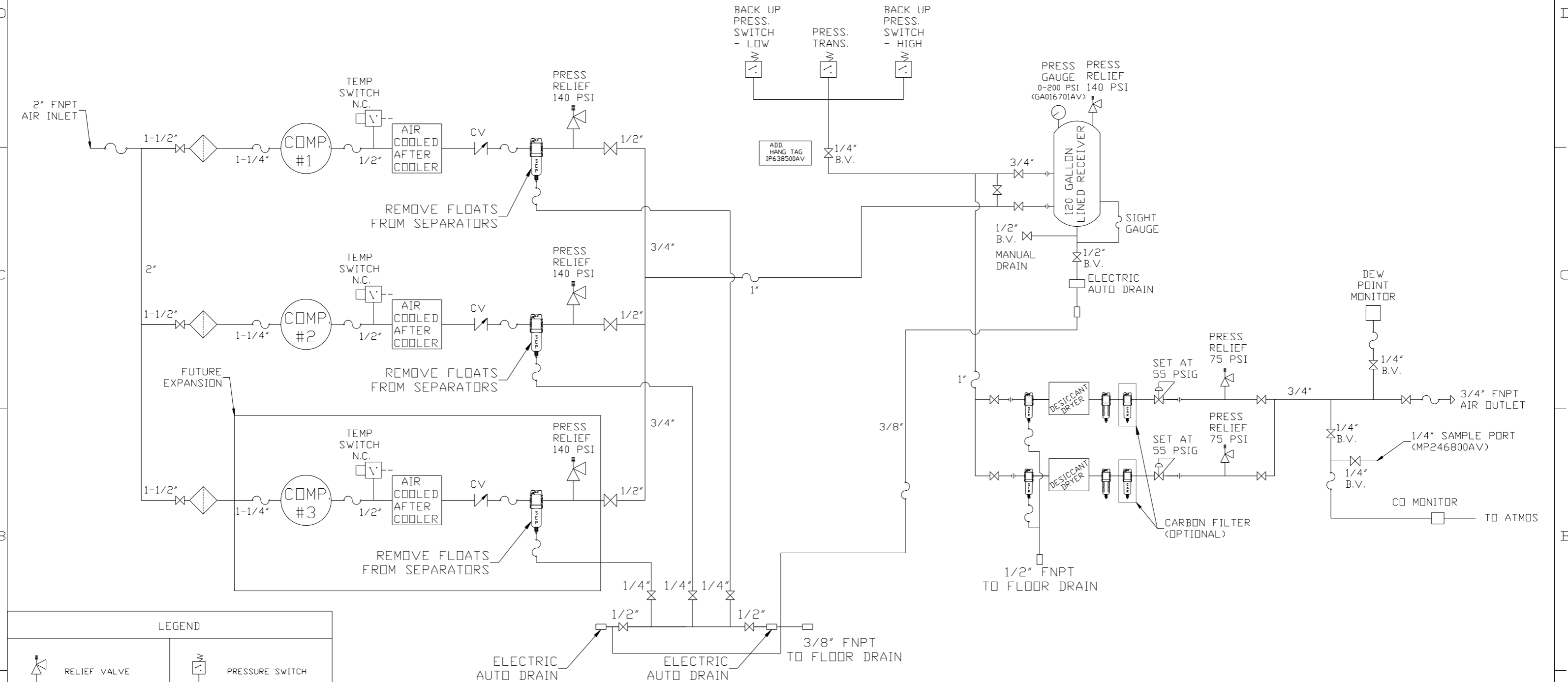
120 GALLON ASME AIR RECEIVER INTERNALLY LINED



NOTE: SYSTEM DESIGNED IN COMPLIANCE WITH US NFPA'99, LATEST EDITION.

<b>SYMBOL LEGEND</b> ⊖ = MINUS DRAFT ⊕ = PLUS DRAFT TOLERANCES NOT SPECIFIED .XX ± .XXX ± <math>\angle</math> (DEG.) ±		= ADDITIONAL CONTROL REQ'D = BRINELL HARDNESS		Drawings to conform to the current revision of the following ANSI standards: Y14.3 Multi and sectional view dsgs Y14.5M Dimensioning and tolerancing
AUTOCAD REL2014 LT INCH		DO NOT SCALE DRAWING FOR DIMENSIONS Sheet 1 of 2 SCALE 1: 14		
<b>CONFIDENTIAL DISCLOSURE</b> This drawing is the property of POWEREX, INC. or the SCOTT FEITZER COMPANY and subject to return on demand. Its contents are confidential and must not be copied or submitted to outside parties for use or examination.		DRAWN BY AEK	CHECKED BY GES	APPROVED BY KMD JJ
MATERIAL N/A		DATE 1/29/16	DATE 8/13/15	DATE 1/29/16 1/29/16
PART NAME DUPLEX SCROLL EXP 7.5HP 120GAL BASEMOUNT DUPLEX DESICCANT		 150 PRODUCTION DRIVE, HARRISON, OHIO 45030 Ph: 888-769-7979 FAX: (513) 367-3125		DWG NO MSD0754-EX3

REV	ZONE	REVISION	DATE	ECN	NAME	CHKD
B-1	ALL	RELEASE TO PRODUCTION	1/29/16	PXEC0138	AEK	GES
C-1	ALL	CORRECTED SEPARATOR DRAIN LINES TO 1/4"	01/11/17	PXEC0167	MJD	GES
	ALL	ADDED NOTE TO REMOVE SEPARATOR FLOAT				
	ALL	ADDED OUTLINE FOR RECOMMENDED CLEARANCES				
	ALL	UPDATED INLET TREE				



LEGEND	
	RELIEF VALVE
	INTAKE FILTER
	AIR FILTER
	3 WAY VALVE
	CARBON FILTER
	BALL VALVE
	PRESSURE SWITCH
	REGULATOR
	SEPARATOR
	CHECK VALVE
	FLEX LINE
	HIGH TEMP SWITCH
	UNION

NOTES:  
 1) WITHOUT EXPANSION: IF LAG 1 COMPRESSOR IS ENERGIZED, ALARM WILL OCCUR.  
 WITH EXPANSION: IF LAG 2 COMPRESSOR IS ENERGIZED, ALARM WILL OCCUR.  
 2) PIPING TO THE INLET BY OTHERS AND TO BE PER NFPA99 4-3.1.1.9(b)  
 3) INSTRUMENTS DOWN STREAM OF SOURCE VALVE TO BE SUPPLIED BY OTHERS.

SYMBOL LEGEND		ADDITIONAL CONTROL REQ'D		Drawings to conform to the current revision of the following ANSI standards.	
⊖ = MINUS DRAFT	⊕ = PLUS DRAFT	⊖ = MINUS DRAFT	⊕ = PLUS DRAFT	Y14.3 Multi and sectional view deqs. Y14.5M Dimensioning and tolerancing	
TOLERANCES NOT SPECIFIED		AUTOCAD REL2014 LT		DO NOT SCALE DRAWING FOR DIMENSIONS	
.XX ±	.XXX ±	INCH		Sheet 2 of 2	SCALE 1:14
CONFIDENTIAL DISCLOSURE		This drawing is the property of POWEREX, INC. of the SCOTT FETZER COMPANY and subject to return on demand. Its contents are confidential and must not be copied or submitted to outside parties for use or examination.		APPROVED BY	
DRAWN BY		CHECKED BY		ENGINEERING MFG/MRKTG	
1/29/16		8/13/15		1/29/16 1/29/16	
MATERIAL		N/A		APPROVED BY	
PART NAME		N/A		KMD JJ	
SCROLL DUPLEX EXPANDABLE FLOW SCHEMATIC		DWG NO		MSD0754-EX3	
		SIZE		D	