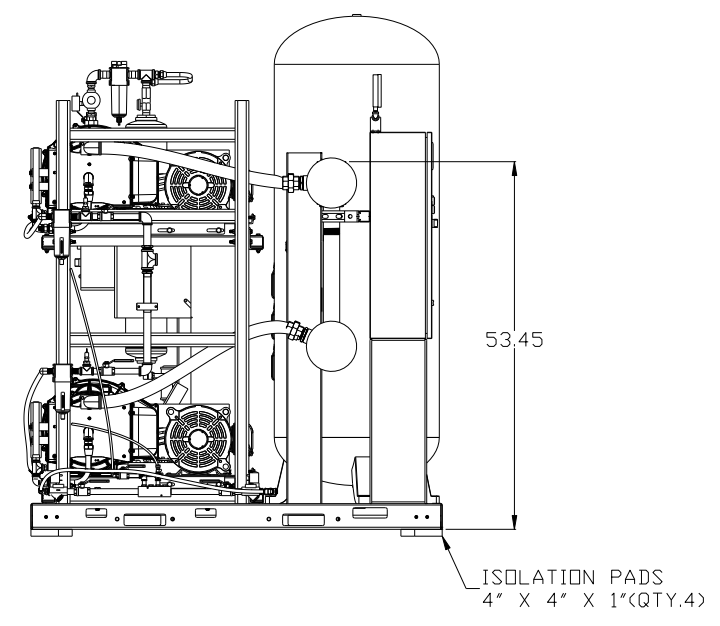
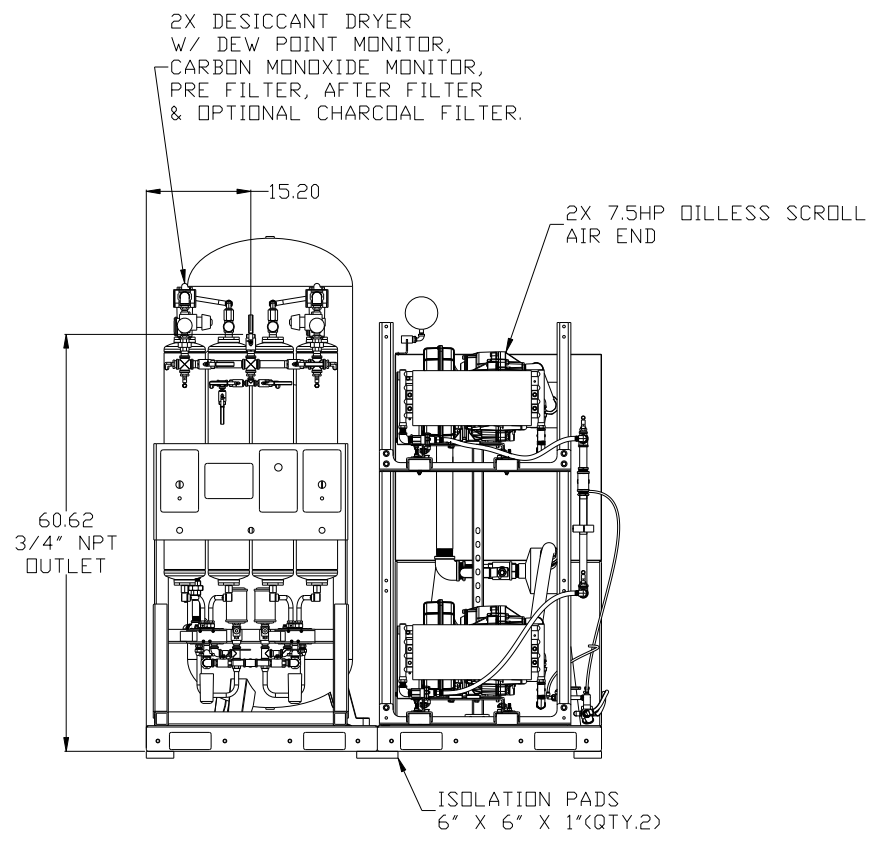
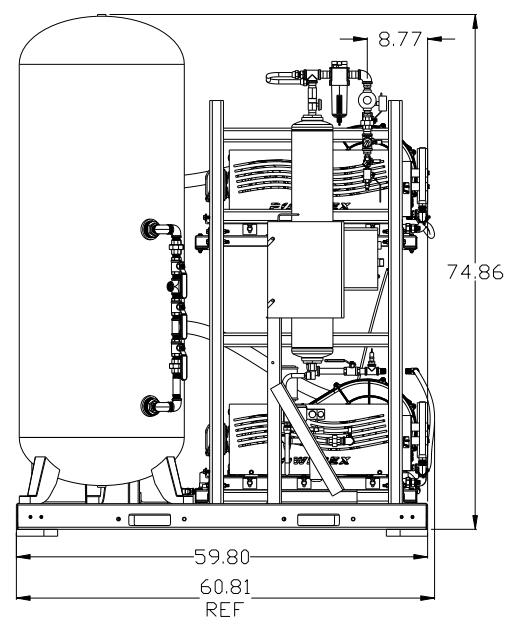
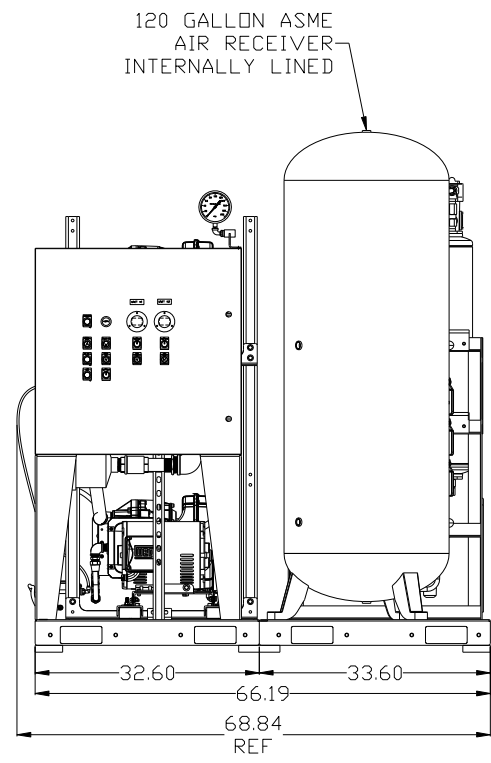
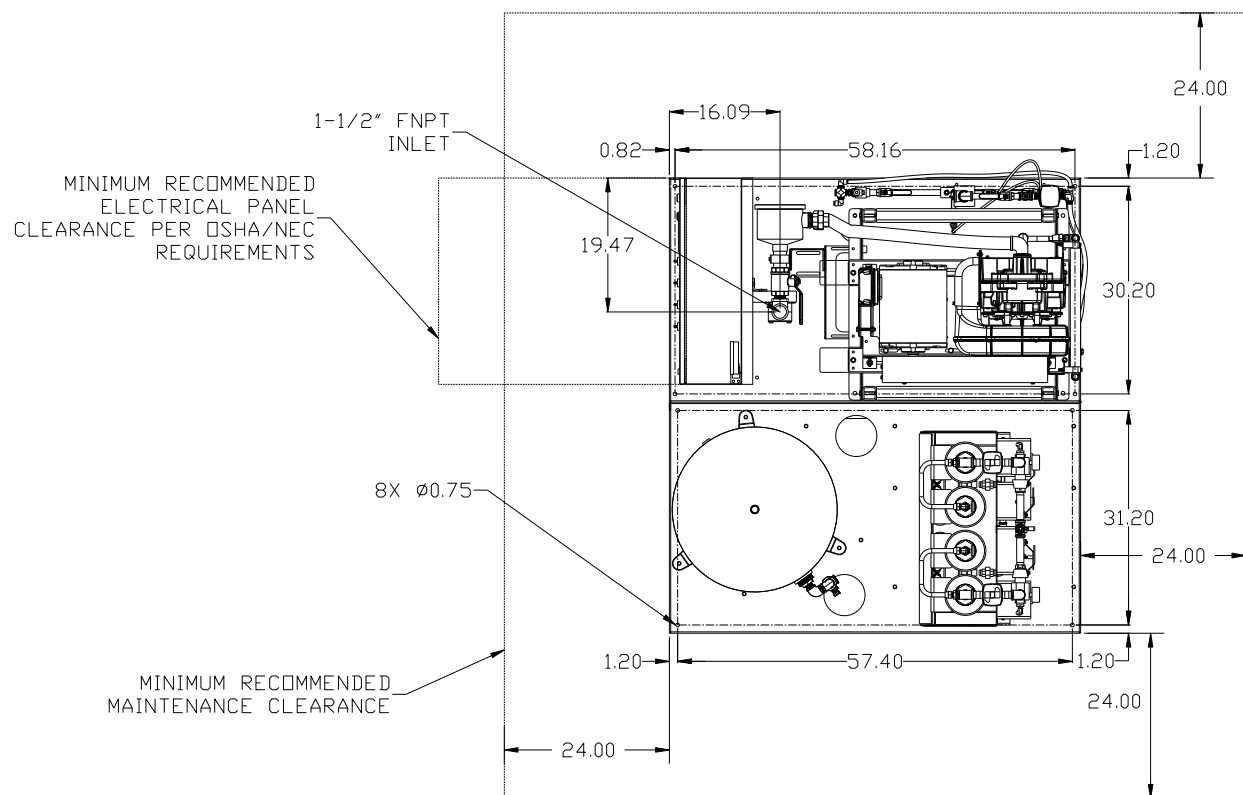


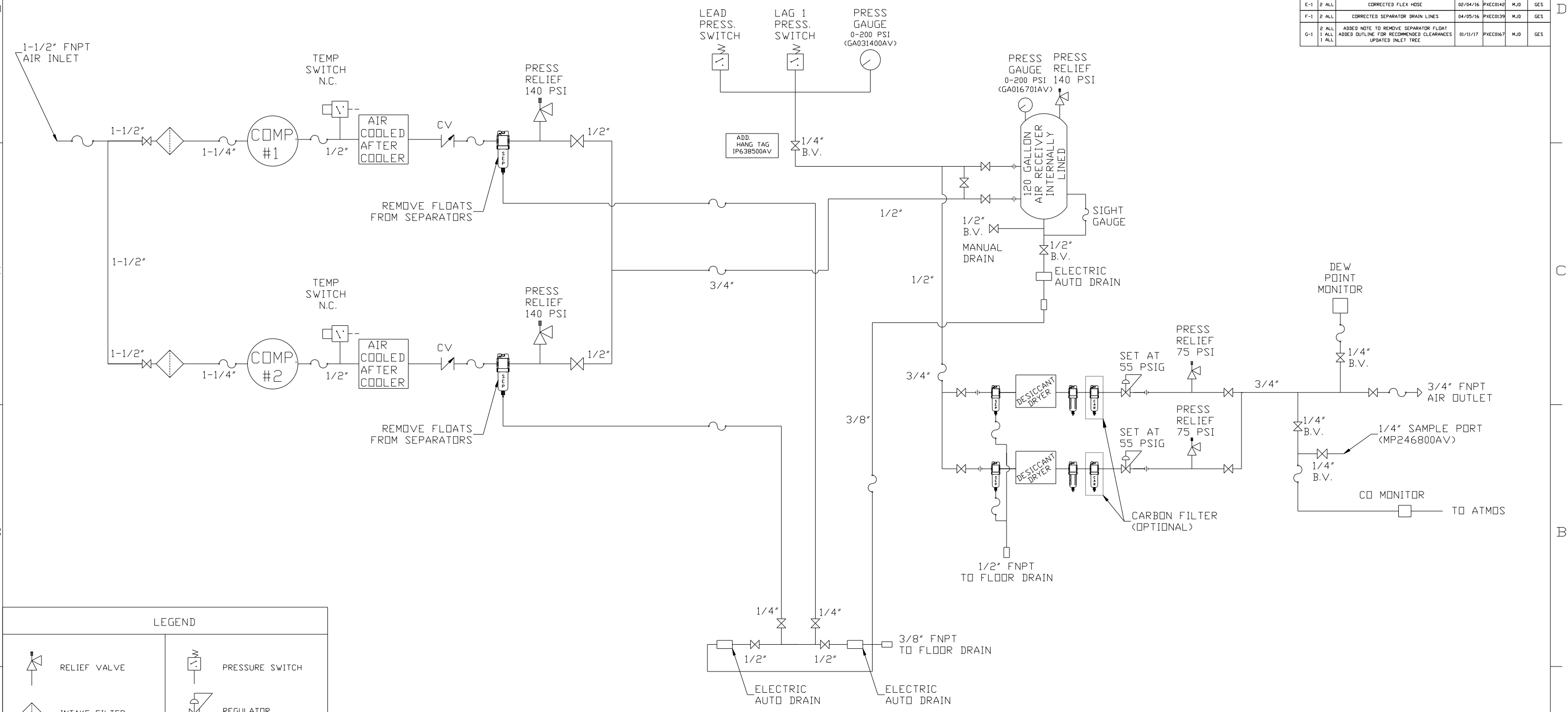
REV	ZONE	REVISION	DATE	ECN	NAME	CHKD
B-1	ALL	RELEASE TO PRODUCTION	01/29/15	PXEC0057	AEK	DMS
C-1	ALL	WAVE 1 REDESIGN - SMALLER FOOTPRINT	2/24/15	PXEC0057	JBE	DMS
D-1	1 ALL 1 ALL 2 C6	ADDED PRESSURE GAUGE TO BASIC BUILD LAYOUT ADDED ISO PADS CORRECTED PLMP SRV LOCATION	8/11/15	PXEC0093	AEK	GES
E-1	2 ALL	CORRECTED FLEX HOSE	02/04/16	PXEC0142	MJD	GES
F-1	2 ALL	CORRECTED SEPARATOR DRAIN LINES	04/05/16	PXEC0139	MJD	GES
G-1	2 ALL 1 ALL 1 ALL	ADDED NOTE TO REMOVE SEPARATOR FLDAT ADDED OUTLINE FOR RECOMMENDED CLEARANCES UPDATED INLET TREE	01/11/17	PXEC0167	MJD	GES



NOTE: SYSTEM DESIGNED IN COMPLIANCE WITH US NFPA'99, LATEST EDITION.

SYMBOL LEGEND ⊖ = MINUS DRAFT ⊕ = PLUS DRAFT TOLERANCES NOT SPECIFIED .XX ± .XXX ± << DEG > ±		= ADDITIONAL CONTROL REQ'D = BRINELL HARDNESS		Drawings to conform to the current revision of the following ANSI standards: Y14.3 Multi and sectional view dgs. Y14.5M Dimensioning and tolerancing
AUTOCAD REL2000 INCH		DO NOT SCALE DRAWING FOR DIMENSIONS Sheet 1 of 2 SCALE 1:14		
CONFIDENTIAL DISCLOSURE This drawing is the property of POWEREX, INC. of the SCOTT FELTZER COMPANY and subject to return on demand. Its contents are confidential and must not be copied or submitted to outside parties for use or examination.				
DRAWN BY JBE	CHECKED BY AEK	APPROVED BY ENGINEERING JA	MFG/MKTG CT	
01/29/15	1/29/15	1/29/15	01/29/15	
MATERIAL N/A		 150 PRODUCTION DRIVE, HARRISON, OHIO 45030 Ph: 888-769-7979 FAX: (513) 367-3125		
PART NAME DUPLEX OILLESS SCROLL 7.5HP, 120GAL. BASEMOUNT DUPLEX DESICCANT		DVG NO MSD0754	SIZE D	

REV	ZONE	REVISION	DATE	ECN	NAME	CHKD
B-1	ALL	RELEASE TO PRODUCTION	01/29/15	PXEC0057	AEK	DMS
C-1	ALL	WAVE 1 REDESIGN - SMALLER FOOTPRINT	2/24/15	PXEC0057	JBE	DMS
D-1	1 ALL 1 ALL 2 C6	ADDED PRESSURE GAUGE TO BASIC BUILD LAYOUT ADDED ISO PADS CORRECTED PLUMP SRV LOCATION	8/11/15	PXEC0093	AEK	GES
E-1	2 ALL	CORRECTED FLEX HOSE	02/04/16	PXEC0142	MJD	GES
F-1	2 ALL	CORRECTED SEPARATOR DRAIN LINES	04/05/16	PXEC0139	MJD	GES
G-1	2 ALL 1 ALL 1 ALL	ADDED NOTE TO REMOVE SEPARATOR FLDAT ADDED OUTLINE FOR RECOMMENDED CLEARANCES UPDATED INLET TREE	01/11/17	PXEC0167	MJD	GES

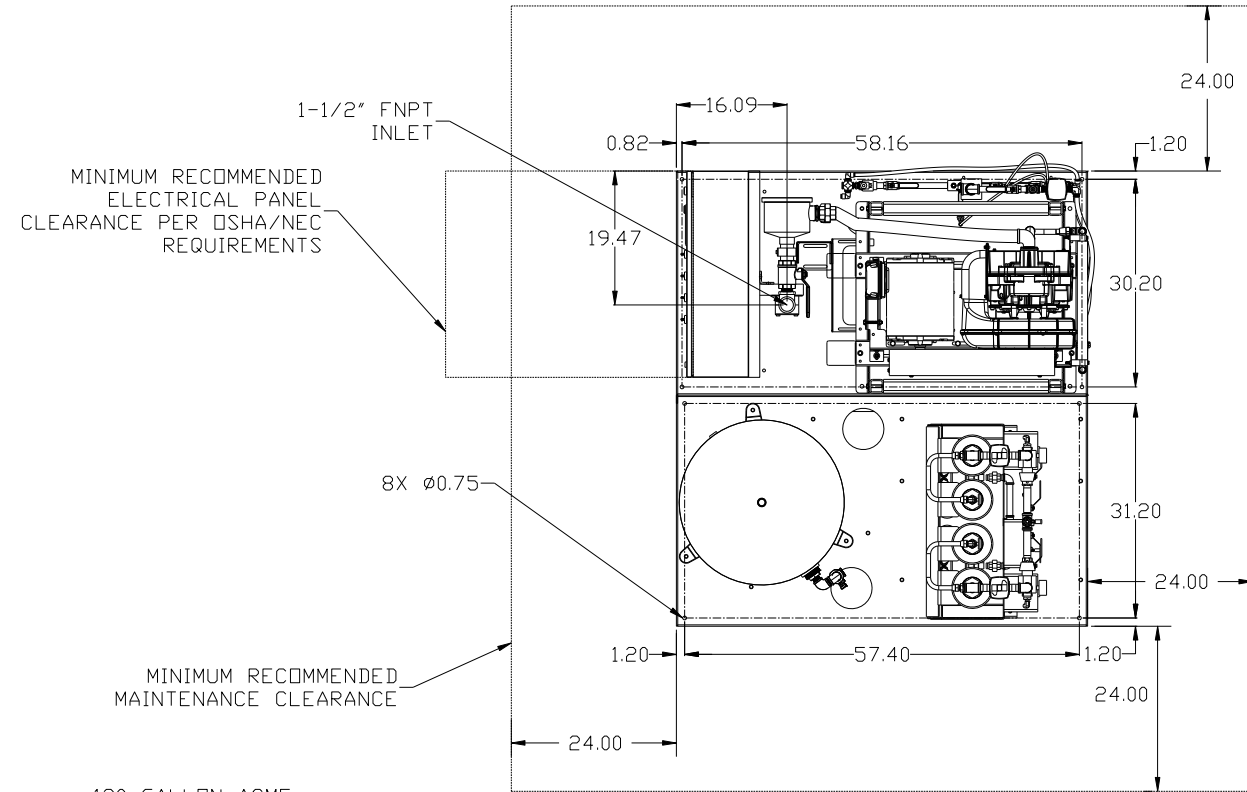


LEGEND	
	RELIEF VALVE
	INTAKE FILTER
	AIR FILTER
	3 WAY VALVE
	CARBON FILTER
	BALL VALVE
	PRESSURE SWITCH
	REGULATOR
	SEPARATOR
	CHECK VALVE
	FLEX LINE
	HIGH TEMP SWITCH
	UNION

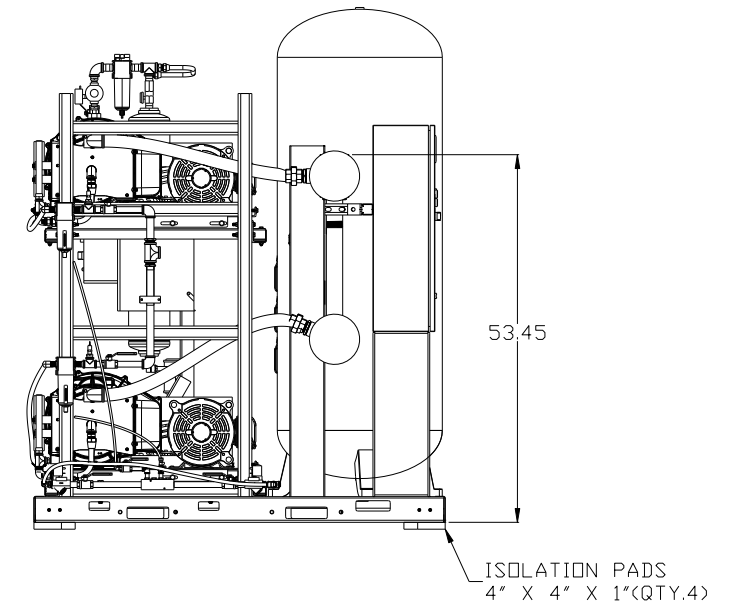
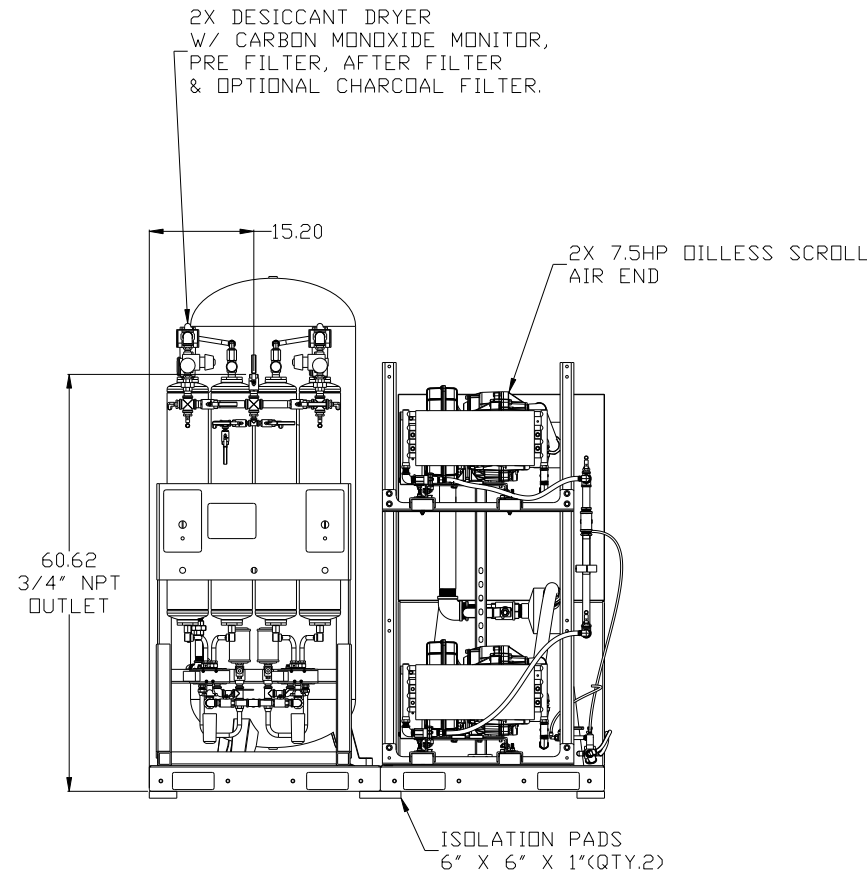
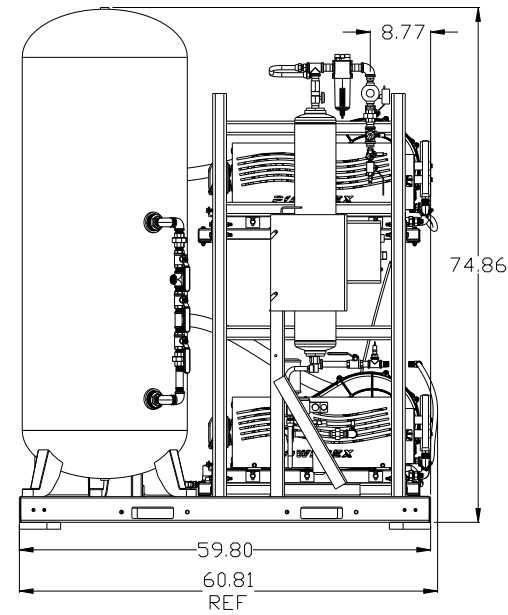
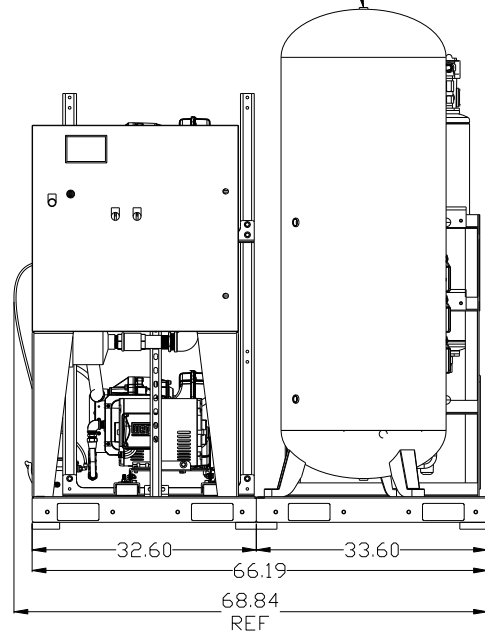
NOTES:  
 1) IF LAG 1 COMPRESSOR IS ENERGIZED ALARM WILL OCCUR.  
 2) PIPING TO THE INLET OF SOURCE AND TO BE PER NFPA99 4-3.11.9(k)  
 3) INSTRUMENTS DOWN STREAM OF SOURCE VALVE TO BE SUPPLIED BY OTHERS.

SYMBOL LEGEND			ADDITIONAL CONTROL REQ'D	Drawings to conform to the current revision of the following ANSI standards:
	MINUS DRAFT		BRINELL HARDNESS	Y14.3 Multi and sectional view dsgs Y14.5M Dimensioning and tolerancing
TOLERANCES NOT SPECIFIED		AUTOCAD REL2000	DO NOT SCALE DRAWING FOR DIMENSIONS	
.XX ±	.XXX ±	INCH	Sheet 2 of 2	SCALE 1:14
CONFIDENTIAL DISCLOSURE		This drawing is the property of POWEREX, INC. of the SCOTT FETZER COMPANY and subject to return on demand. Its contents are confidential and must not be copied or submitted to outside parties for use or examination.		
DRAWN BY	CHECKED BY	ENGINEERING	MFG/MKTG	APPROVED BY
JBE	AEK	JA	CT	
01/29/15	1/29/15	1/29/15	1/29/15	
MATERIAL		N/A		
PART NAME		7.5HP SCROLL DUPLEX FLOW SCHEMATIC		
DWG NO		MSD0754		
SIZE		D		

REV	ZONE	REVISION	DATE	ECN	NAME	CHKD
B-1	ALL	RELEASE TO PRODUCTION	01/29/15	PXEC0057	AEK	DMS
C-1	ALL	WAVE 1 REDESIGN - SMALLER FOOTPRINT	2/24/15	PXEC0057	JBE	DMS
D-1	1 ALL 1 ALL 2 C6	ADDED PRESSURE GAUGE TO BASIC BUILD LAYOUT ADDED ISO PADS CORRECTED PLMP SRV LOCATION	8/11/15	PXEC0093	AEK	GES
E-1	2 ALL	CORRECTED FLEX HOSE	02/04/16	PXEC0142	MJD	GES
F-1	2 ALL	CORRECTED SEPARATOR DRAIN LINES	04/05/16	PXEC0139	MJD	GES
G-1	2 ALL 1 ALL 1 ALL	ADDED NOTE TO REMOVE SEPARATOR FLDAT ADDED OUTLINE FOR RECOMMENDED CLEARANCES UPDATED INLET TREE	01/11/17	PXEC0167	MJD	GES



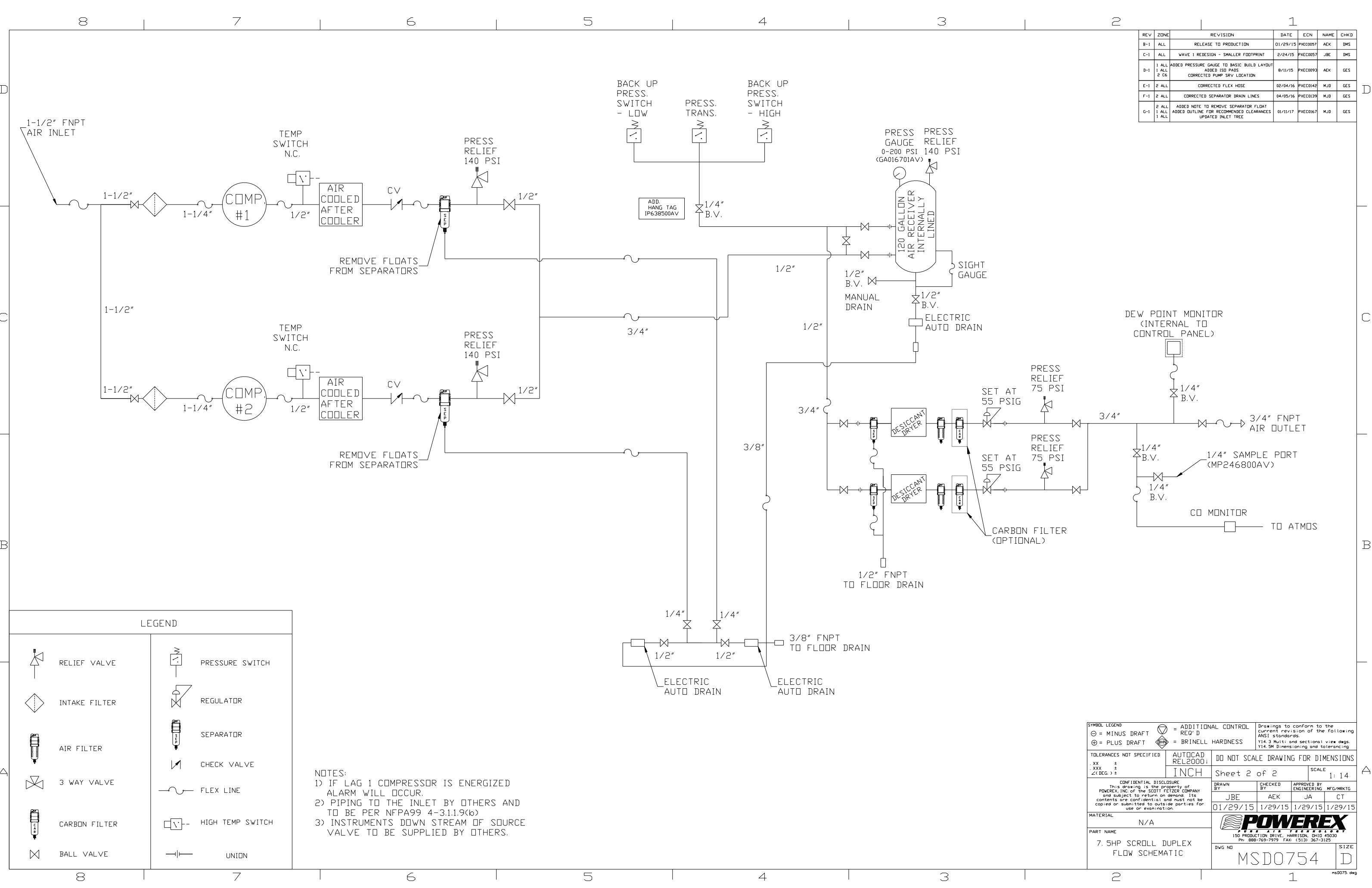
120 GALLON ASME AIR RECEIVER INTERNALLY LINED



NOTE: SYSTEM DESIGNED IN COMPLIANCE WITH US NFPA'99, LATEST EDITION.

SYMBOL LEGEND		= ADDITIONAL CONTROL REQ'D		Drawings to conform to the current revision of the following ANSI standards:	
⊖	MINUS DRAFT	⊕	PLUS DRAFT	⊖	ANSI Y14.3 Multi and sectional view dgs.
⊕	PLUS DRAFT	⊖	MINUS DRAFT	⊖	ANSI Y14.5M Dimensioning and tolerancing
TOLERANCES NOT SPECIFIED		AUTOCAD REL2000:		DO NOT SCALE DRAWING FOR DIMENSIONS	
.XX ±		INCH		Sheet 1 of 2	
.XXX ±				SCALE 1:14	
<<DEG>> ±					
CONFIDENTIAL DISCLOSURE					
This drawing is the property of POWEREX, INC. of the SCOTT FELTZER COMPANY and subject to return on demand. Its contents are confidential and must not be copied or submitted to outside parties for use or examination.					
DRAWN BY		CHECKED BY		APPROVED BY	
JBE		AEK		JA CT	
01/29/15		1/29/15		1/29/15 01/29/15	
MATERIAL		N/A		POWEREX	
PART NAME		7.5HP. 120GAL. BASEMOUNT PXMI DUPLEX DESICCANT		150 PRODUCTION DRIVE, HARRISON, OHIO 45030 Ph 888-769-7979 FAX (513) 367-3125	
DWG NO		MSD0754		SIZE D	

REV	ZONE	REVISION	DATE	ECN	NAME	CHKD
B-1	ALL	RELEASE TO PRODUCTION	01/29/15	PXEC0057	AEK	DMS
C-1	ALL	WAVE 1 REDESIGN - SMALLER FOOTPRINT	2/24/15	PXEC0057	JBE	DMS
D-1	1 ALL 1 ALL 2 C6	ADDED PRESSURE GAUGE TO BASIC BUILD LAYOUT ADDED ISO PADS CORRECTED PLUMP SRV LOCATION	8/11/15	PXEC0093	AEK	GES
E-1	2 ALL	CORRECTED FLEX HOSE	02/04/16	PXEC0142	MJD	GES
F-1	2 ALL	CORRECTED SEPARATOR DRAIN LINES	04/05/16	PXEC0139	MJD	GES
G-1	2 ALL 1 ALL 1 ALL	ADDED NOTE TO REMOVE SEPARATOR FLDAT ADDED OUTLINE FOR RECOMMENDED CLEARANCES UPDATED INLET TREE	01/11/17	PXEC0167	MJD	GES



LEGEND	
	RELIEF VALVE
	INTAKE FILTER
	AIR FILTER
	3 WAY VALVE
	CARBON FILTER
	BALL VALVE
	PRESSURE SWITCH
	REGULATOR
	SEPARATOR
	CHECK VALVE
	FLEX LINE
	HIGH TEMP SWITCH
	UNION

NOTES:  
 1) IF LAG 1 COMPRESSOR IS ENERGIZED ALARM WILL OCCUR.  
 2) PIPING TO THE INLET AND TO BE PER NFPA99 4-3.11.9(k)  
 3) INSTRUMENTS DOWN STREAM OF SOURCE VALVE TO BE SUPPLIED BY OTHERS.

SYMBOL LEGEND			ADDITIONAL CONTROL REQ'D	Drawings to conform to the current revision of the following ANSI standards:
	MINUS DRAFT		BRINELL HARDNESS	Y14.3 Multi and sectional view dsgs Y14.5M Dimensioning and tolerancing
TOLERANCES NOT SPECIFIED		AUTOCAD REL2000	DO NOT SCALE DRAWING FOR DIMENSIONS	
.XX ±	.XXX ±	INCH	Sheet 2 of 2	SCALE 1:14
CONFIDENTIAL DISCLOSURE		This drawing is the property of POWEREX, INC. of the SCOTT FETZER COMPANY and subject to return on demand. Its contents are confidential and must not be copied or submitted to outside parties for use or examination.		
DRAWN BY	CHECKED BY	ENGINEERING	MFG/MKTG	APPROVED BY
JBE	AEK	JA	CT	
01/29/15	1/29/15	1/29/15	1/29/15	
MATERIAL		N/A		
PART NAME		7.5HP SCROLL DUPLEX FLOW SCHEMATIC		
DWG NO		MSD0754		
SIZE		D		