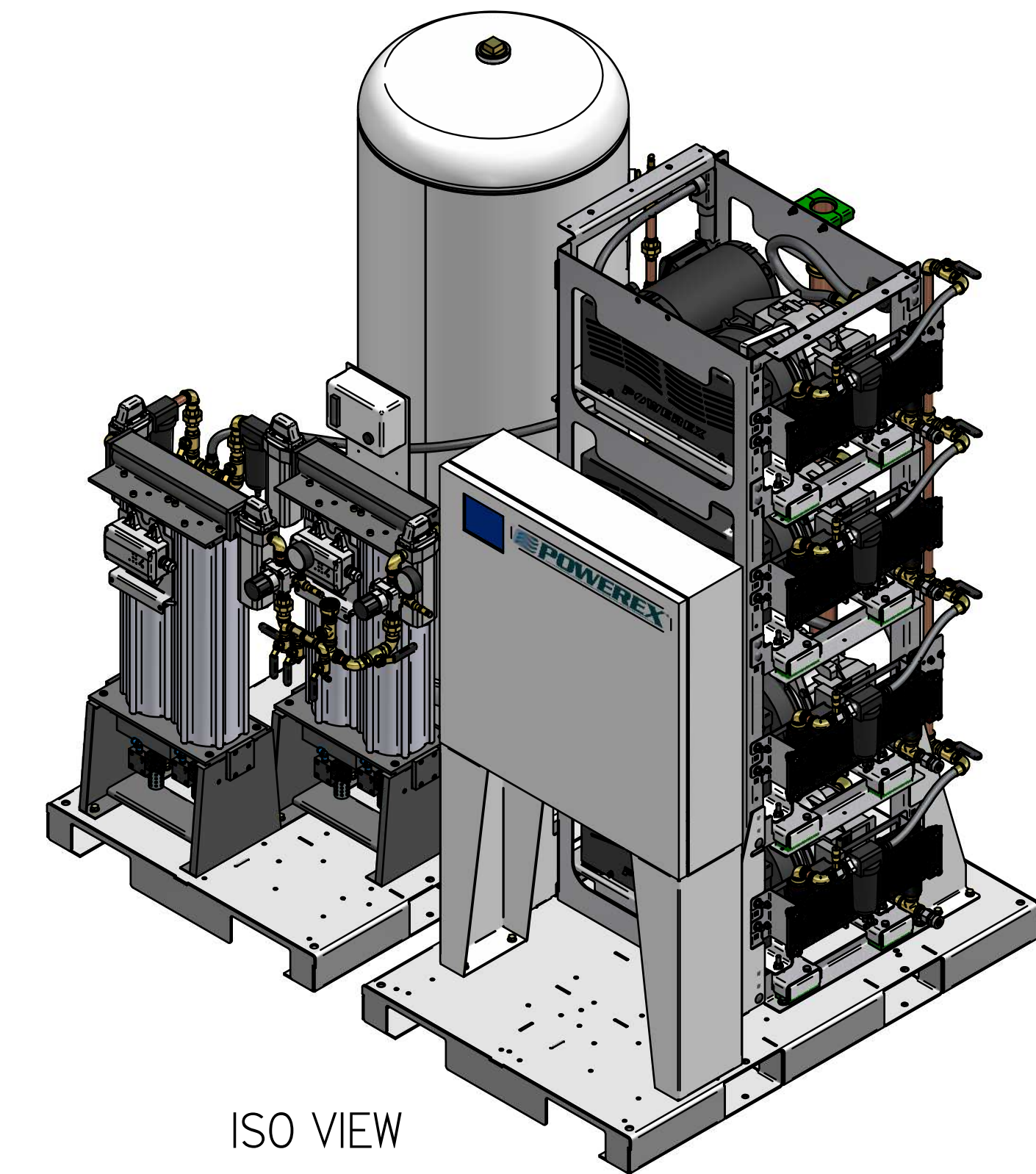
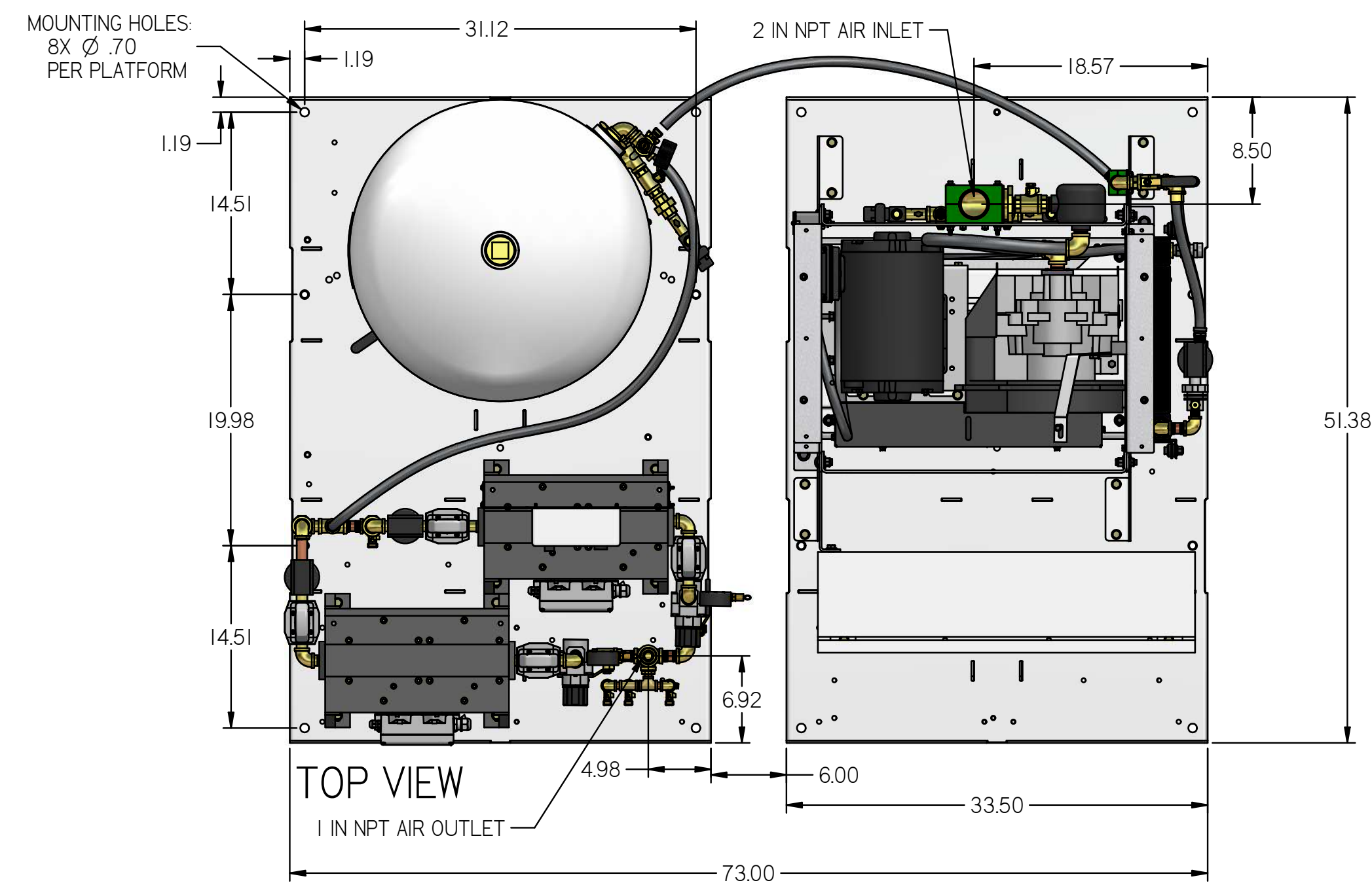


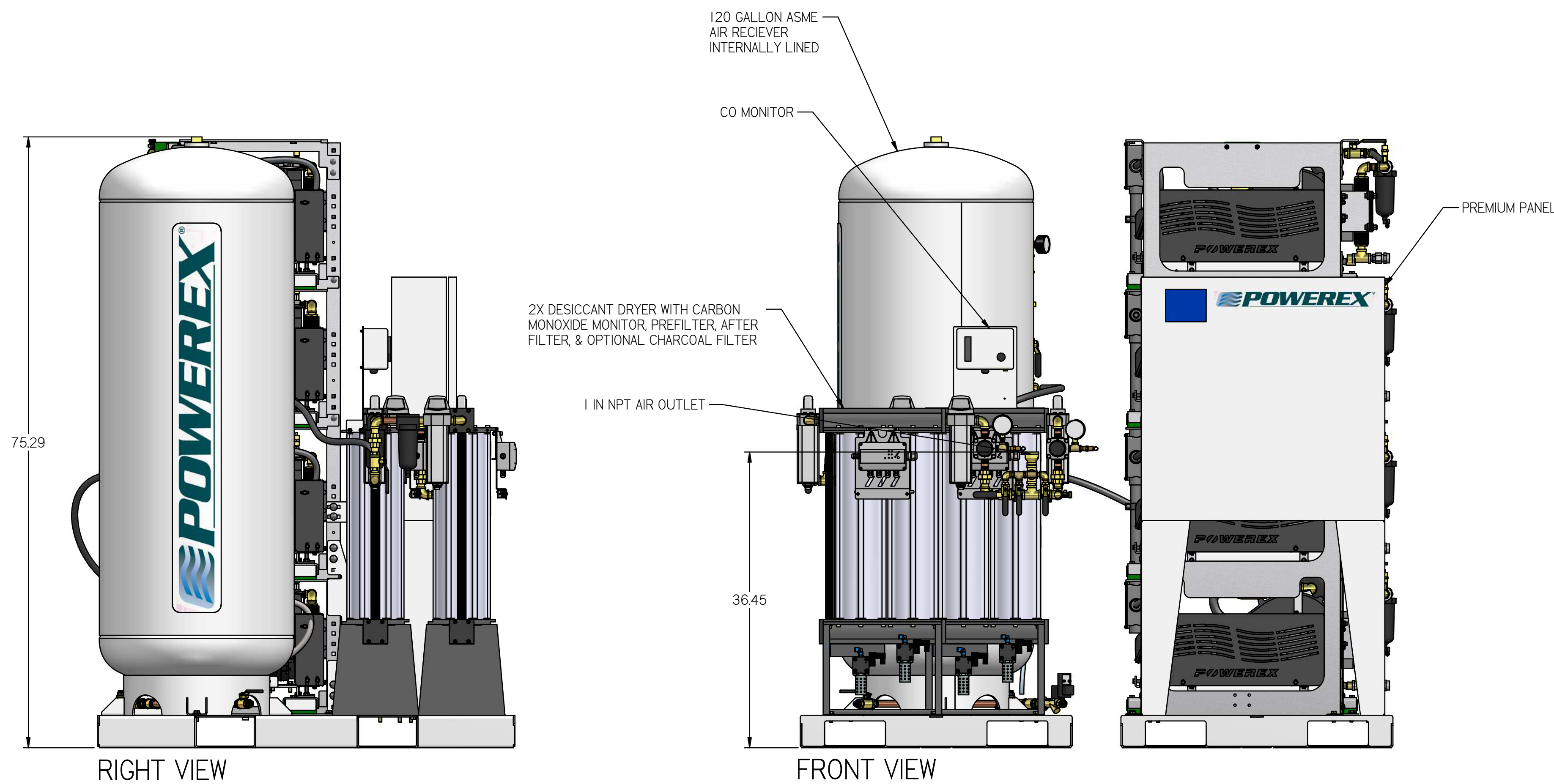
REVISION NOTES		
DESCRIPTION	ECN	PR/NOR
PRODUCTION RELEASE	PXECO169	N/A

MSD10A4

MEDICAL OPEN SCROLL
SYSTEM 10 HP DUPLEX 120
TANK
PREMIUM PANEL



ISO VIEW



RIGHT VIEW

FRONT VIEW

LEFT VIEW

- NOTES:
1. APPROX SYSTEM WEIGHT: 2123 LB
2. 24" MINIMUM MAINTENANCE CLEARANCE RECOMMENDED
ALL SIDES. CLEARANCE FOR CONTROL PANEL SHALL BE IN ACCORDANCE WITH OSHA/NEC REQUIREMENTS

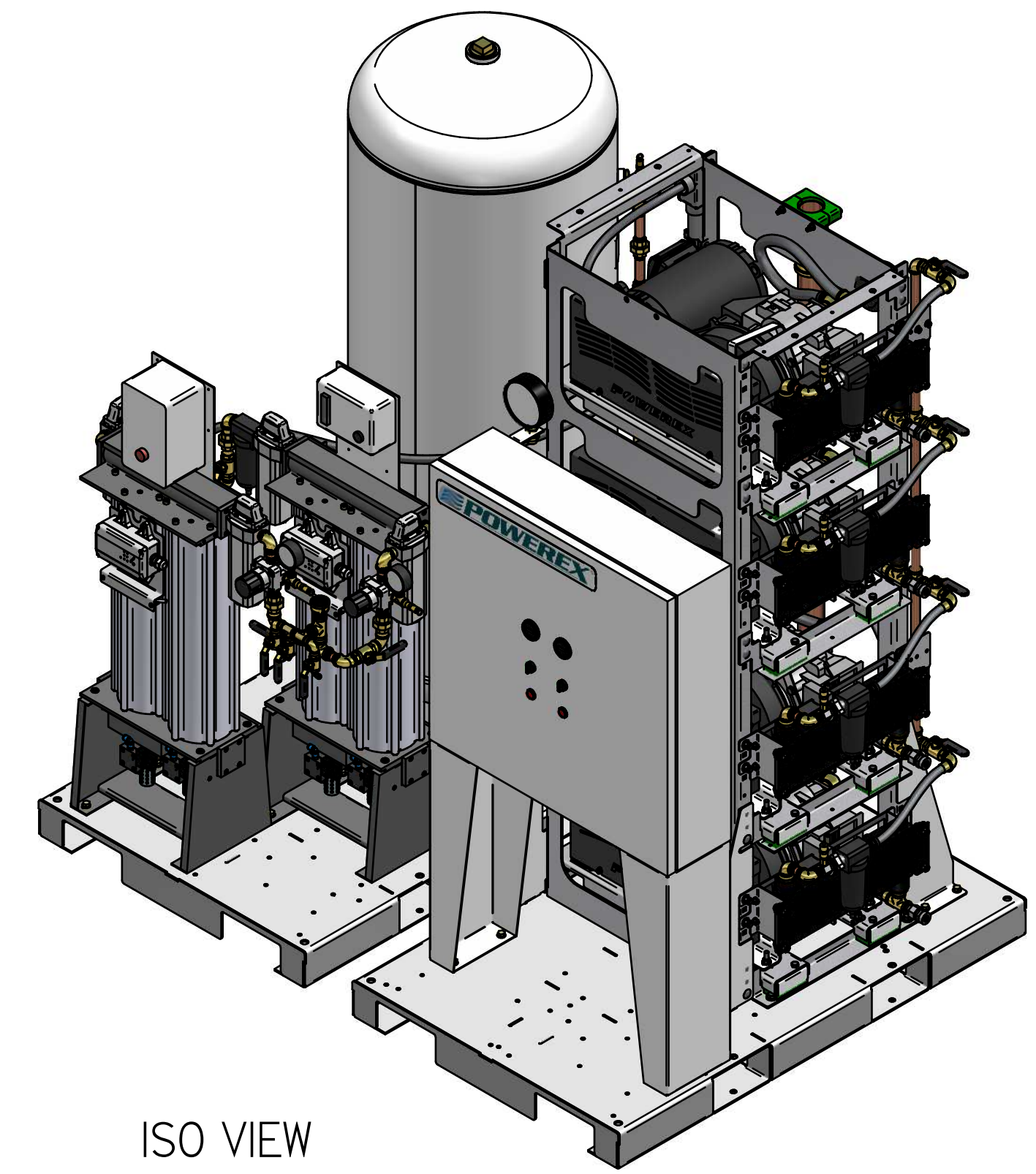
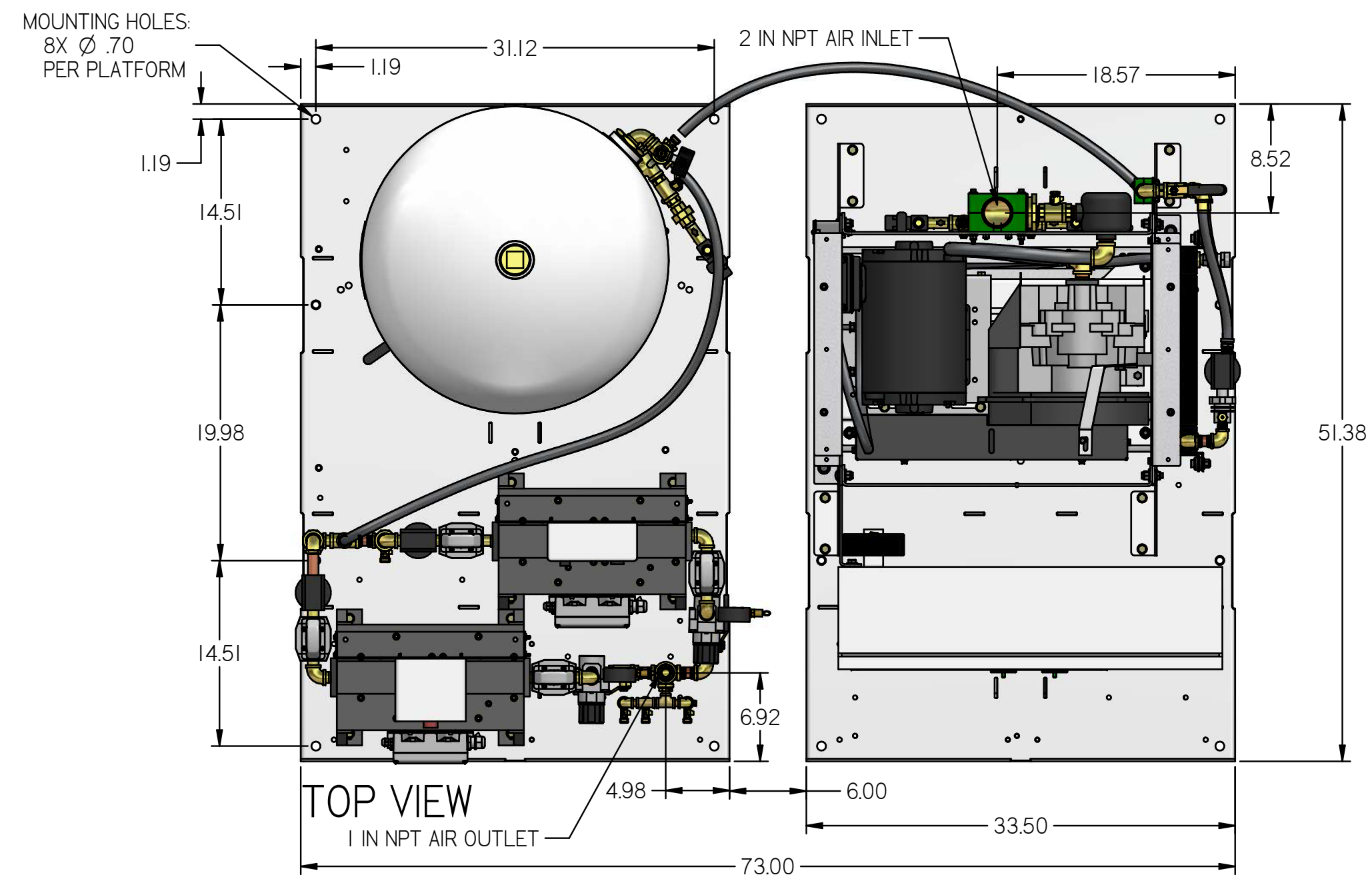
SYMBOL LEGEND		DRAWINGS TO CONFORM TO CURRENT REVISION OF THE FOLLOWING ANSI STANDARDS:	
		Y14.3 MULTI AND SECTIONAL VIEW DWGS	
		Y14.5 DIMENSIONING AND TOLERANCING	
TOLERANCES NOT SPECIFIED	SOLID EDGE DRAWING	DO NOT SCALE DRAWING FOR DIMENSIONS	
0.XXX ± .01		SHEET 1 OF 5	SCALE 1:10
0.XXX ± .005	INCH		
CONFIDENTIAL DISCLOSURE: This drawing is the property of POWEREX of the SCOTT FETTER COMPANY and is subject to return on demand. Its contents are confidential and must not be copied or submitted to outside parties for use or examination.		AUTHOR	APPROVALS ON FILE IN PLM
		ORIGINATION DATE	
		ASoulek	10/11/2018
PART NUMBER: 716198		POWEREX	
MATERIAL: SEE PART NOTES		150 PRODUCTION DRIVE, HARRISON OH 45030	
		888-768-7079	
DESCRIPTION: MEDICAL OPEN SCROLL SYSTEM 10 HP DUPLEX 120 TANK		DRAWING NUMBER: MSD10A4	REVISION: A
		SIZE: A	D

REVISION NOTES		
DESCRIPTION	ECN	PR/NOR
PRODUCTION RELEASE	PXEC0169	N/A

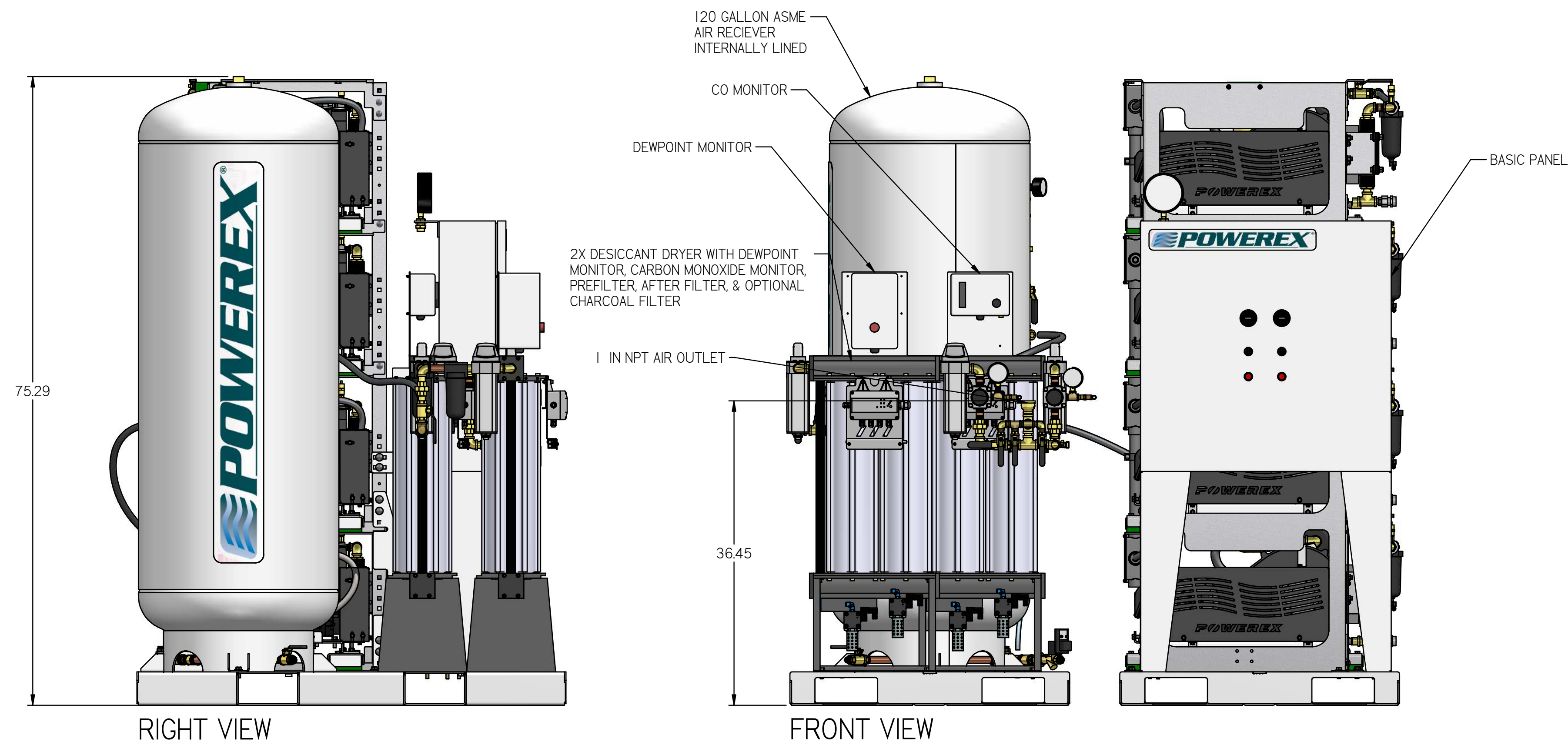
MSD10A4

MEDICAL OPEN SCROLL SYSTEM 10 HP DUPLEX 120 TANK

BASIC PANEL

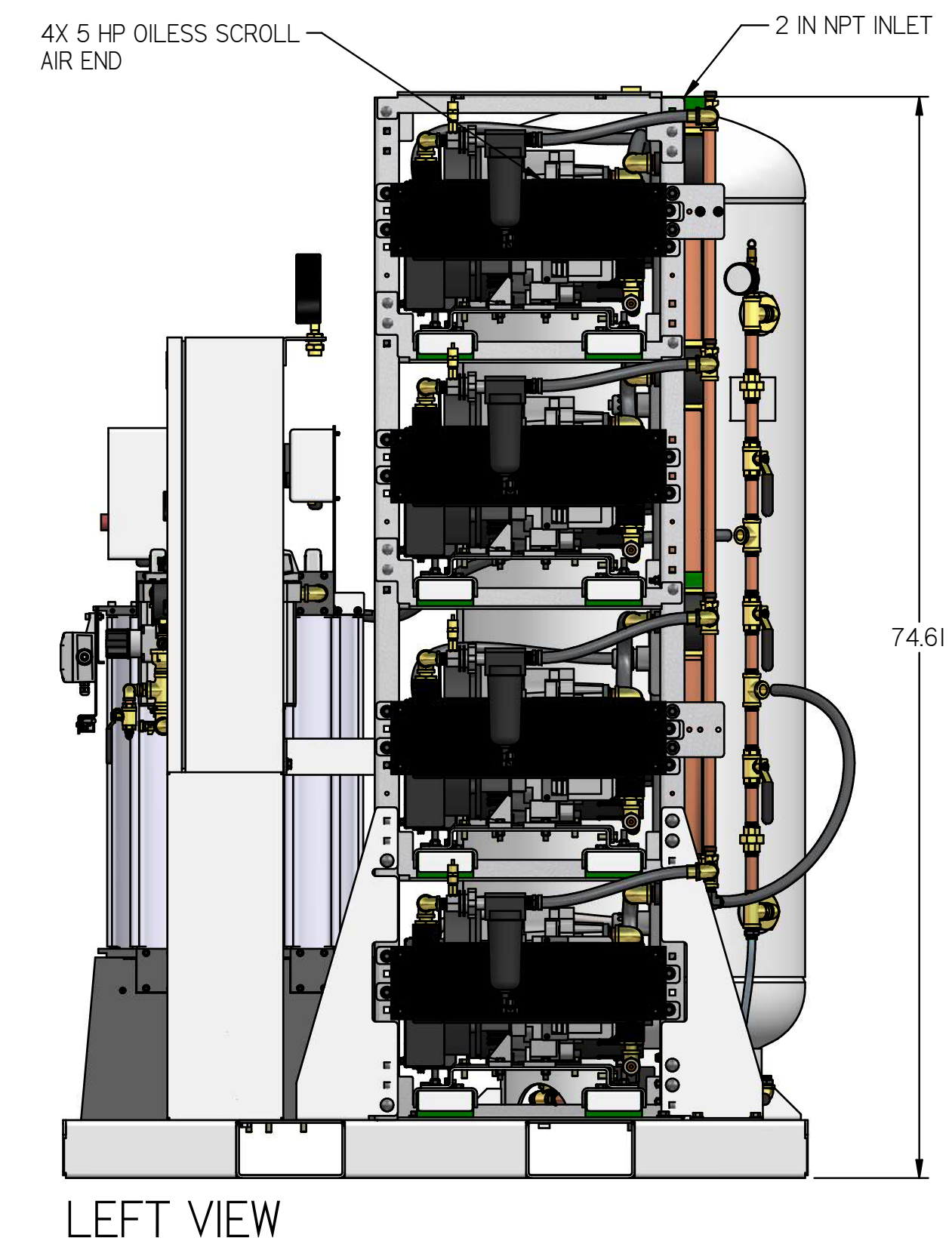


ISO VIEW



RIGHT VIEW

FRONT VIEW



LEFT VIEW

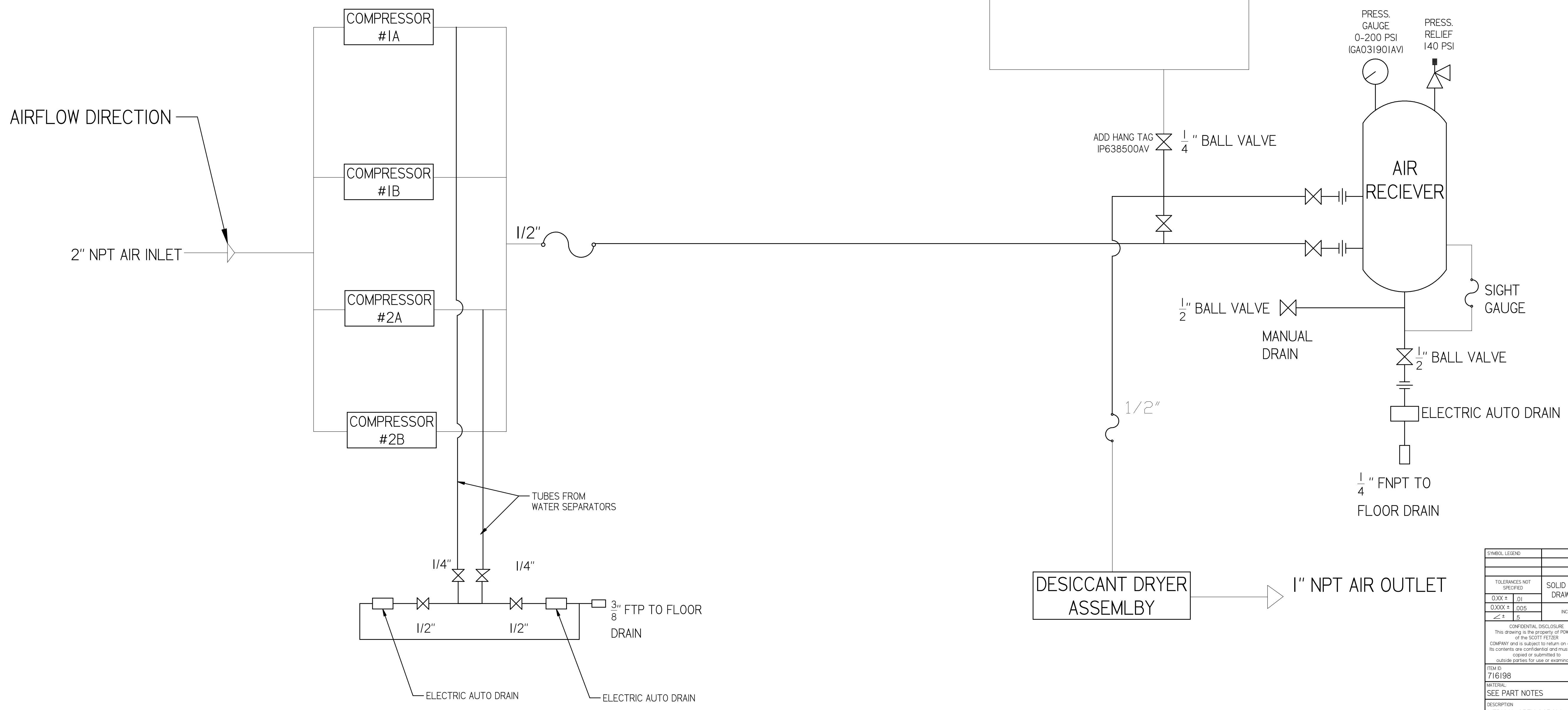
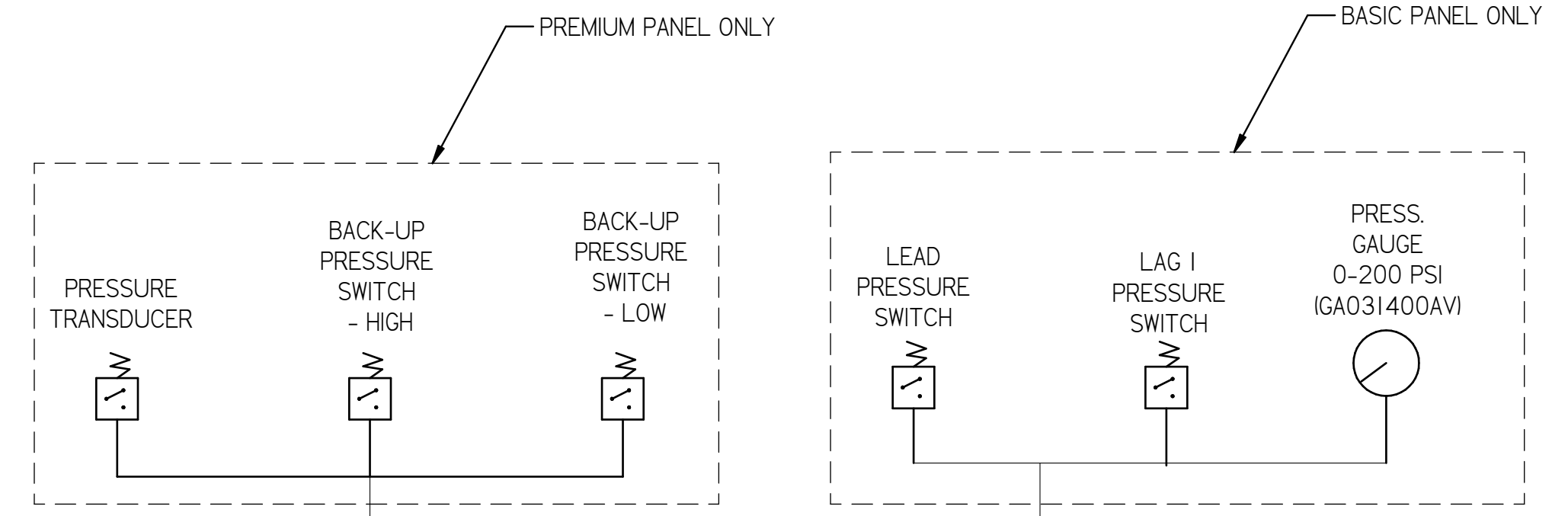
- NOTES:
 1. APPROX SYSTEM WEIGHT: 2123 LB
 2. 24" MINIMUM MAINTENANCE CLEARANCE RECOMMENDED ALL SIDES. CLEARANCE FOR CONTROL PANEL SHALL BE IN ACCORDANCE WITH OSHA/NEC REQUIREMENTS

SYMBOL LEGEND		DRAWINGS TO CONFORM TO CURRENT REVISION OF THE FOLLOWING ANSI STANDARDS:	
TOLERANCES NOT SPECIFIED	SOLID EDGE DRAWING	1:4:3 MULTI AND SECTIONAL VIEW DIMS	1:4:3 DIMENSIONING AND TOLERANCING
0.001 ± .01	DRAWING	DO NOT SCALE DRAWING FOR DIMENSIONS	SHEET 2 OF 5
0.001 ± .005			
± .5	INCH		I:10
<small>CONFIDENTIAL DISCLOSURE</small> This drawing is the property of POWEREX of the SCOTT FETTER COMPANY and is subject to return on demand. Its contents are confidential and must not be copied or submitted to outside parties for use or examination.		AUTHOR	APPROVALS ON FILE IN PLM
ITEM NO: 716198		ORIGINATION DATE	10/11/2018
MATERIAL: SEE PART NOTES			
DESCRIPTION: MEDICAL OPEN SCROLL SYSTEM 10 HP DUPLEX 120 TANK		DRAWING NUMBER	MSD10A4
		REVISION	A
		SIZE	D

MSD10A4

MEDICAL OPEN SCROLL
SYSTEM 10 HP DUPLEX 120
TANK
SYSTEM
FLOW DIAGRAM

REVISION NOTES		
DESCRIPTION	ECN	PR/NOR
PRODUCTION RELEASE	PXECO169	N/A

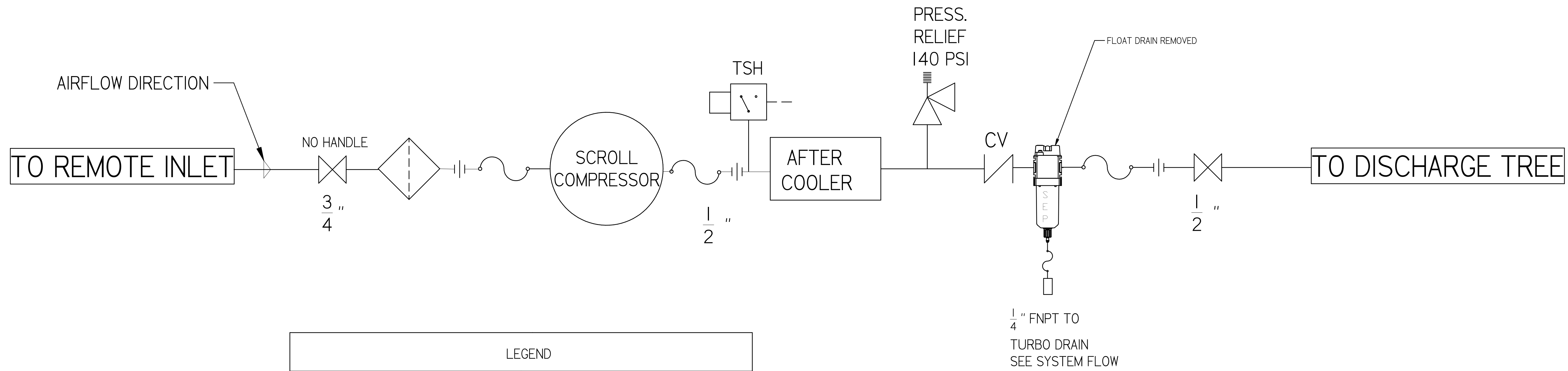


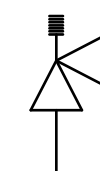
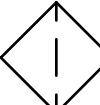
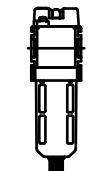

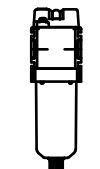

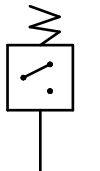
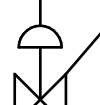
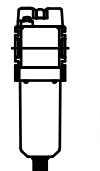


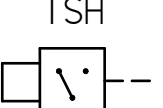
SYMBOL LEGEND		DRAWINGS TO CONFORM TO CURRENT REVISION OF THE FOLLOWING ANSI STANDARDS: Y14.3 MULTI AND SECTIONAL VIEW DIMS Y14.5 DIMENSIONING AND TOLERANCING		
TOLERANCES NOT SPECIFIED	SOLID EDGE DRAWING	DO NOT SCALE DRAWING FOR DIMENSIONS		
0.00X ± .01	INCH	SHEET 3 OF 5	SCALE	1:1
<small>CONFIDENTIAL DISCLOSURE</small> <small>This drawing is the property of POWEREX of the SCOTT FETTER COMPANY and is subject to return on demand. Its contents are confidential and must not be copied or submitted to outside parties for use or examination.</small>		<small>AUTHOR</small> ASoulek	<small>ORIGINATION DATE</small> 10/11/2018	<small>APPROVALS ON FILE IN PLM</small>
<small>ITEM NO.</small> 716198 <small>MATERIAL</small> SEE PART NOTES			<small>150 PRODUCTION DRIVE, HARRISON OH 45030</small> <small>888-768-7079</small>	
<small>DESCRIPTION</small> MEDICAL OPEN SCROLL SYSTEM 10 HP DUPLEX 120 TANK	<small>DRAWING NUMBER</small> MSD10A4	<small>REVISION</small> A	<small>SIZE</small> D	


REVISION NOTES		
DESCRIPTION	ECN	PR/NOR
PRODUCTION RELEASE	PXECO169	N/A

MSD10A4

MEDICAL OPEN SCROLL
SYSTEM 10 HP DUPLEX 120
TANK
MEDICAL COMPRESSOR
FLOW DIAGRAM



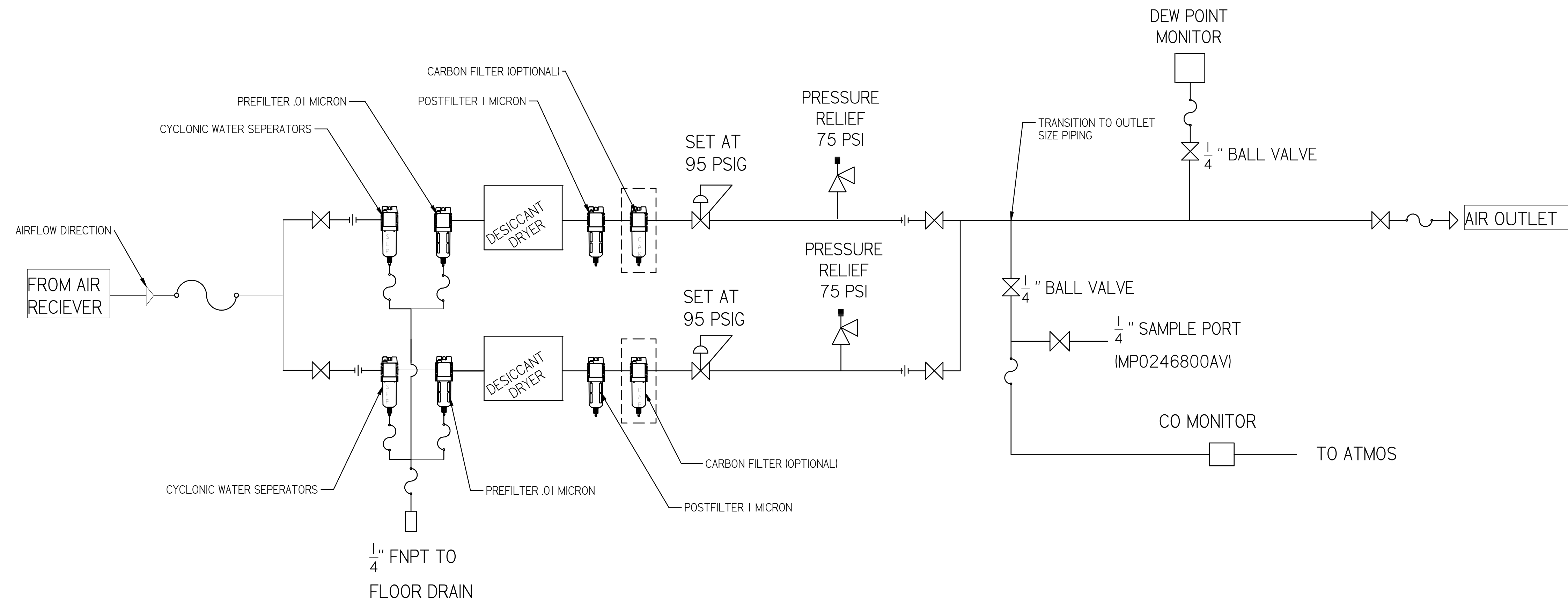
LEGEND	
	RELIEF VALVE
	INTAKE FILTER
	AIR FILTER
	3 WAY VALVE
	CARBON FILTER
	BALL VALVE
	PRESSURE SWITCH
	REGULATOR
	SEPARATOR
	CHECK VALVE
	FLEX LINE
	TSH HIGH TEMP SWITCH

SYMBOL LEGEND		DRAWINGS TO CONFORM TO CURRENT REVISION OF THE FOLLOWING ANSI STANDARDS:	
		Y14.3 MULTI AND SECTIONAL VIEW DIMS Y14.5 DIMENSIONING AND TOLERANCING	
TOLERANCES NOT SPECIFIED	SOLID EDGE DRAWING	DO NOT SCALE DRAWING FOR DIMENSIONS	
0.001 ± .01	INCH	SHEET 4 OF 5	SCALE 1:1
0.0005 ± .0005			
<small>CONFIDENTIAL DISCLOSURE</small> This drawing is the property of POWEREX of the SCOTT FETTER COMPANY and is subject to return on demand. Its contents are confidential and must not be copied or submitted to outside parties for use or examination.		AUTHOR	APPROVALS ON FILE IN PLM
TITLE: 716198 MATERIAL: SEE PART NOTES		ASoulek	10/11/2018
DESCRIPTION: MEDICAL OPEN SCROLL SYSTEM 10 HP DUPLEX 120 TANK		 150 PRODUCTION DRIVE, HARRISON OH 45030 (888) 768-7079	DRAWING NUMBER: MSD10A4 REVISION: A SIZE: D


REVISION NOTES		
DESCRIPTION	ECN	PR/NOR
PRODUCTION RELEASE	PXECO169	N/A

MSD10A4

MEDICAL OPEN SCROLL
SYSTEM 10 HP DUPLEX 120
TANK
MEDICAL DRYER
FLOW DIAGRAM



PIPE SIZE CHART		
PUMP COUNT	DRYER PLUMBING SIZE	OUTLET PIPE SIZE
2	1/2"	1/2"
3	1/2"	1"
4	1/2"	1"
6	1"	1-1/2"
8	1"	1-1/2"
9	1"	1-1/2"
12	1-1/2"	2"
15	1-1/2"	2"
18	1-1/2"	2"

SYMBOL LEGEND		DRAWINGS TO CONFORM TO CURRENT REVISION OF THE FOLLOWING ANSI STANDARDS: #14.3 MULTI AND SECTIONAL VIEW DIMS #14.5 DIMENSIONING AND TOLERANCING		
TOLERANCES NOT SPECIFIED	SOLID EDGE DRAWING	DO NOT SCALE DRAWING FOR DIMENSIONS		
0.001 ± .001		SHEET 5 OF 5	SCALE 1:1	
0.005 ± .005	INCH	APPROVALS ON FILE IN PLM		
0.010 ± .010		AUTHOR	ORIGINATION DATE	
CONFIDENTIAL DISCLOSURE This drawing is the property of POWEREX of the SCOTT FETTER COMPANY and is subject to return on demand. Its contents are confidential and must not be copied or submitted to outside parties for use or examination.		ASoulek	10/11/2018	
ITEM NO: 716198		 <small>150 PRODUCTION DRIVE, HARRISON OH 45030 888-768-7079</small>		
MATERIAL: SEE PART NOTES				
DESCRIPTION: MEDICAL OPEN SCROLL SYSTEM 10 HP DUPLEX 120 TANK		DRAWING NUMBER: MSD10A4	REVISION: A	SIZE: D

