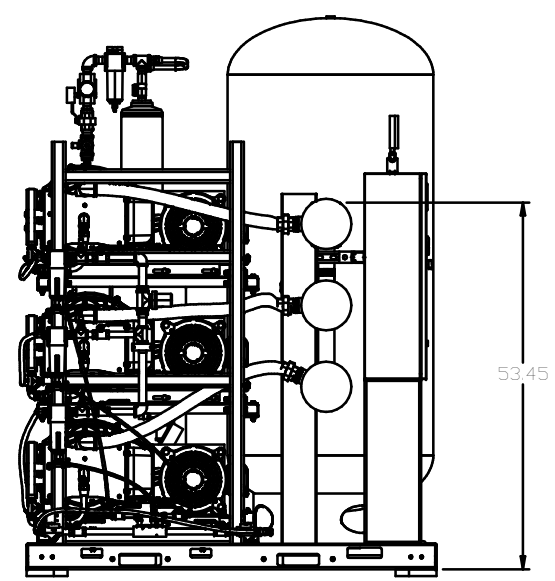
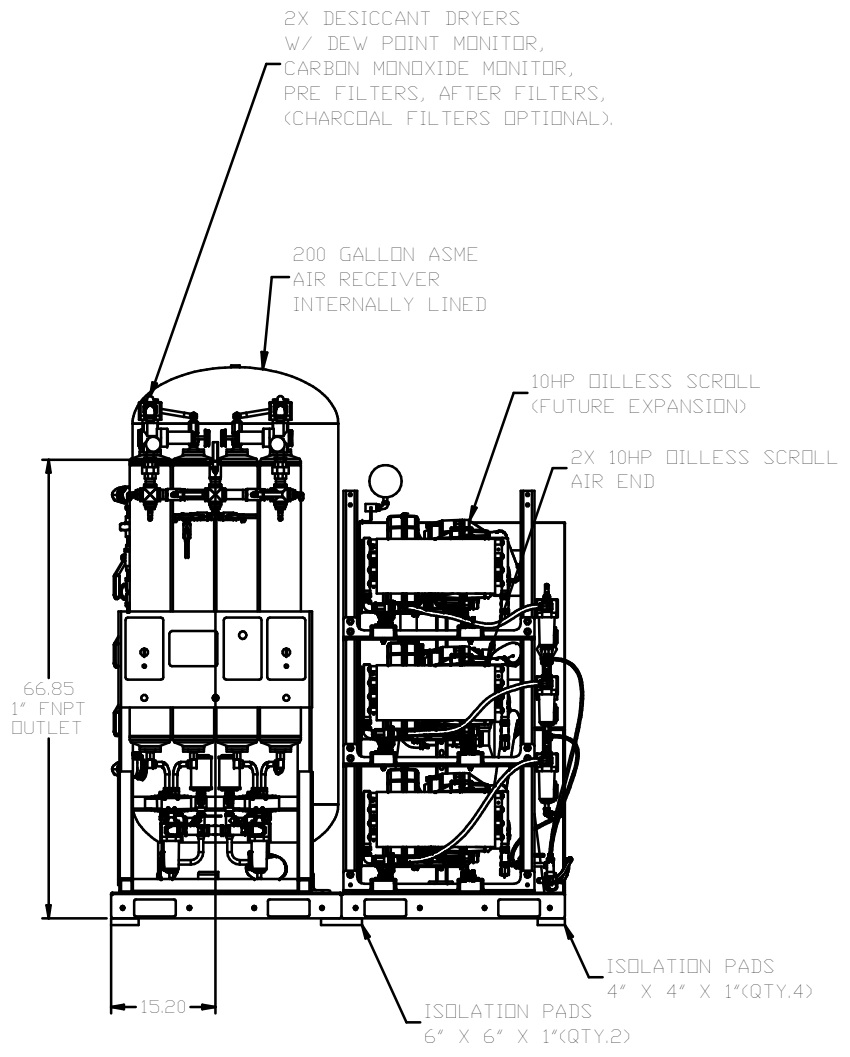
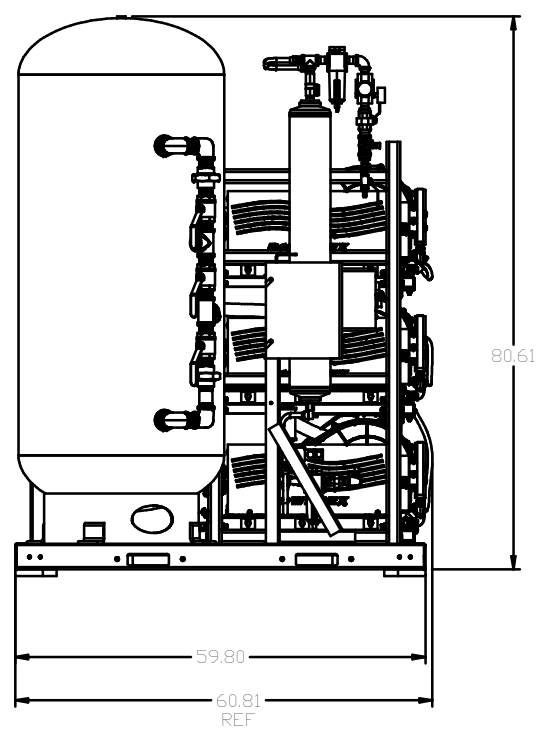
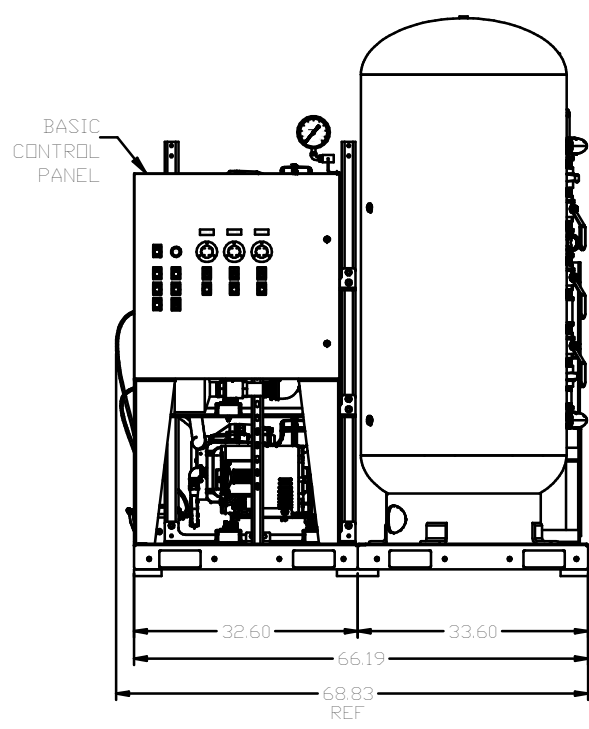


REV	ZONE	REVISION	DATE	ECN	NAME	CHKD
B	ALL	RELEASE TO PRODUCTION	8/11/17		PREPARE	GES
C	ALL	UPDATED TO TEAM CENTER AND 3D	7/20/18		PREPARE	GES

MINIMUM RECOMMENDED ELECTRICAL PANEL CLEARANCE PER OSHA/NEC REQUIREMENTS

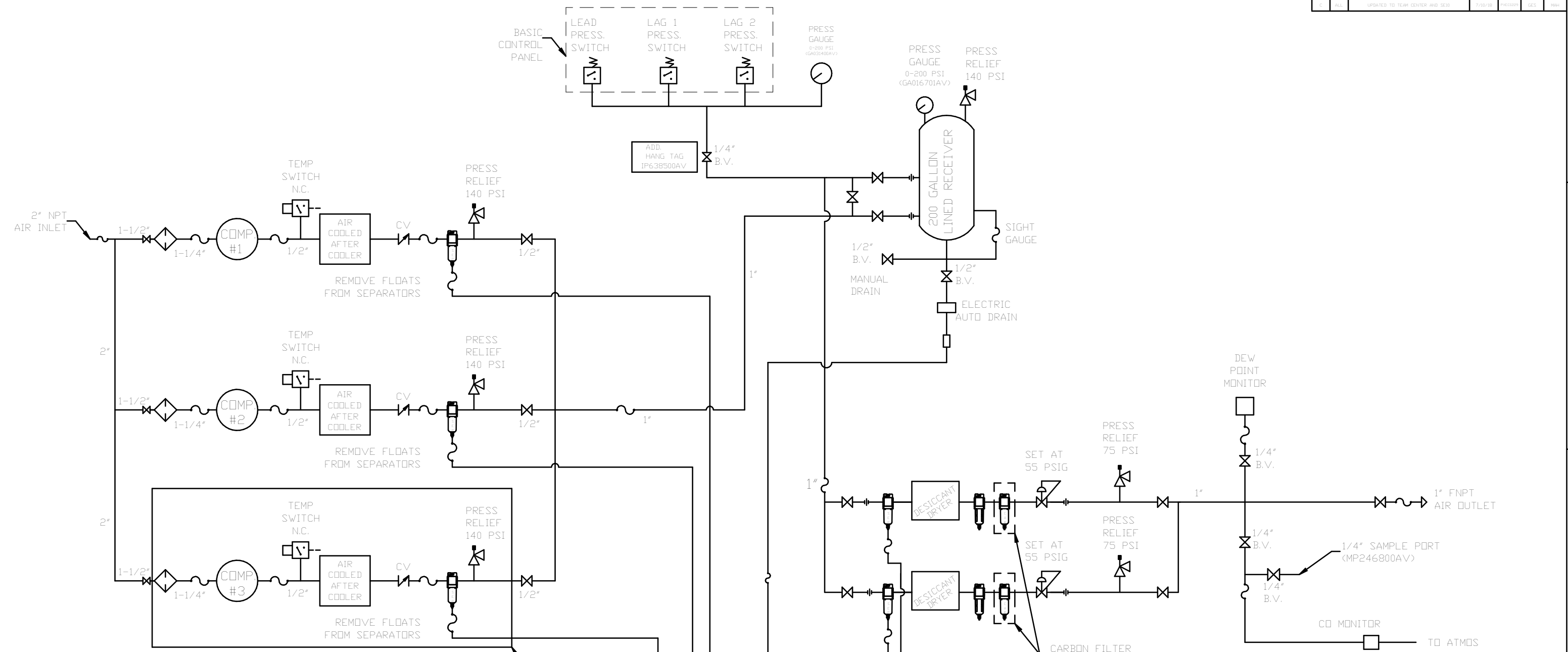
MINIMUM RECOMMENDED MAINTENANCE CLEARANCE



NOTE: SYSTEM DESIGNED IN COMPLIANCE WITH US NFPA'99, LATEST EDITION.

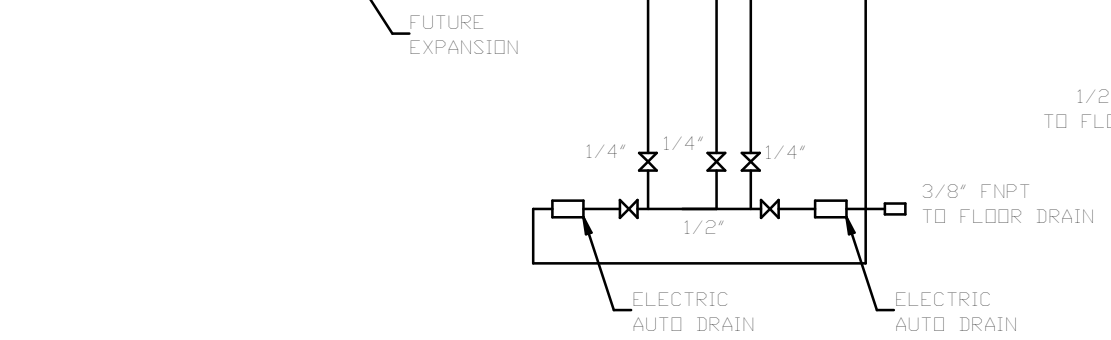
DIMS LEGEND ⊖ = MINUS DRAFT ⊕ = PLUS DRAFT ⊗ = ADDITIONAL CONTROL REQ'D ⊕ = BRINELL HARDNESS	TOLERANCES NOT SPECIFIED XX ± XXX ± <math>\angle</math> DEG ±	AUTOCAD REL2014 LT INCH	DO NOT SCALE DRAWING FOR DIMENSIONS SHEET 1 OF 2 SCALE 1:14
THIS DRAWING IS THE PROPERTY OF POWEREX, INC. OF THE SCOTT FETZER COMPANY and subject to return on demand. Its contents are confidential and must not be copied or submitted to outside parties for use or examination.		DRAWN BY: AEK CHECKED BY: GES APPROVED BY: DMS, BC	DATE: 10/11/17, 10/11/17, 10/11/17, 10/11/17
MATERIAL: N/A			
PART NAME: MED DUPLEX SCROLL EXP 10HP 200GAL BASEMOUNT DUPLEX DESICCANT		Dwg. No: MSD10B5-EX3 SIZE: D	

REV	DATE	REVISION	DATE	BY	NAME	CHKD
B-1	ALL	RELEASE TO PRODUCTION	10/11/17	PREDIR	AEK	GES
C	ALL	UPDATED TO TEAM COVER AND BSS	7/10/18	PREDIR	GES	WJ



**LEGEND**

	RELIEF VALVE		PRESSURE SWITCH
	INTAKE FILTER		REGULATOR
	AIR FILTER		SEPARATOR
	3 WAY VALVE		CHECK VALVE
	CARBON FILTER		FLEX LINE
	BALL VALVE		HIGH TEMP SWITCH
			UNION



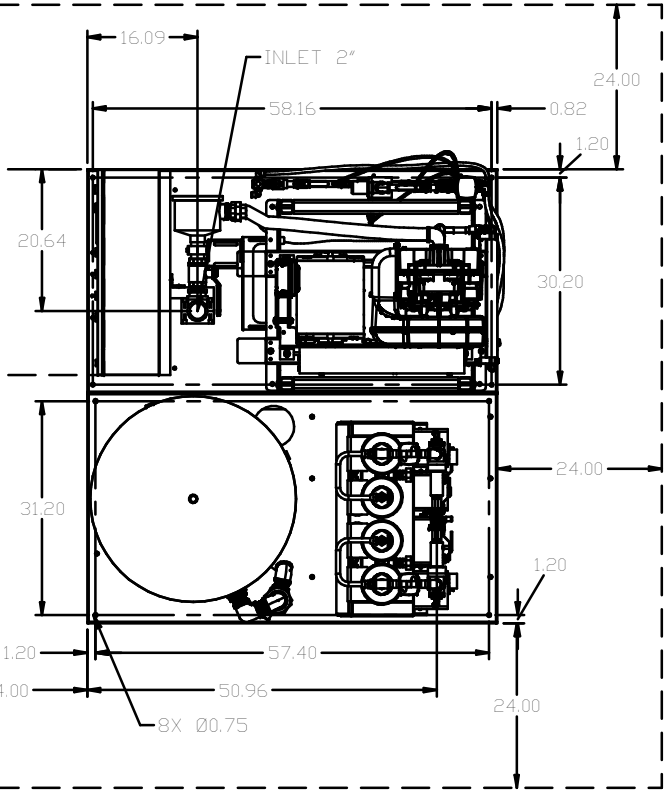
**NOTES:**  
 1) WITHOUT EXPANSION: IF LAG 1 COMPRESSOR IS ENERGIZED, ALARM WILL OCCUR.  
 WITH EXPANSION: IF LAG 2 COMPRESSOR IS ENERGIZED, ALARM WILL OCCUR.  
 2) PIPING TO THE INLET BY OTHERS AND TO BE PER NFPA99 4-3.1.1.9(b)  
 3) INSTRUMENTS DOWN STREAM OF SOURCE VALVE TO BE SUPPLIED BY OTHERS.

CONFIDENTIAL DISCLOSURE This drawing is the property of POWEREX, INC. of the SCOTT FELZER COMPANY and subject to return on demand. Its contents are confidential and must not be copied or submitted to outside parties. For use or reproduction.	ADDITIONAL CONTROL REG'D = BRINELL HARDNESS	Drawings to conform to the current revision of the following AGI standards: 114 0 (Units) and sections 1.1 to 1.10 114 99 Dimensioning and Tolerancing
TOLERANCES NOT SPECIFIED XX .2 XXX .5 Z .1	AUTOCAD REL2014 LT <b>INCH</b>	<b>DO NOT SCALE DRAWING FOR DIMENSIONS</b> Sheet 2 of 2 SCALE 1:14
MATERIAL N/A	PART NAME MEDICAL SCROLL DUPLEX EXPANDABLE TO TRIPLEX FLOW SCHEMATIC	 10/11/17 10/11/17 10/11/17 10/11/17 AEK GES DMS BC <b>MSD10B5-EX3</b>

REV	ZONE	REVISION	DATE	ECN	NAME	CHKD
1	ALL	RELEASE TO PRODUCTION	10/11/17		AEK	GES
2	ALL	UPDATED TO TEAM CENTER AND GEM	7/20/18		AEK	GES

MINIMUM RECOMMENDED ELECTRICAL PANEL CLEARANCE PER OSHA/NEC REQUIREMENTS

MINIMUM RECOMMENDED MAINTENANCE CLEARANCE



2X DESICCANT DRYERS W/ CARBON MONOXIDE MONITOR, PRE FILTERS, AFTER FILTERS, (CHARCOAL FILTERS OPTIONAL).

200 GALLON ASME AIR RECEIVER INTERNALLY LINED

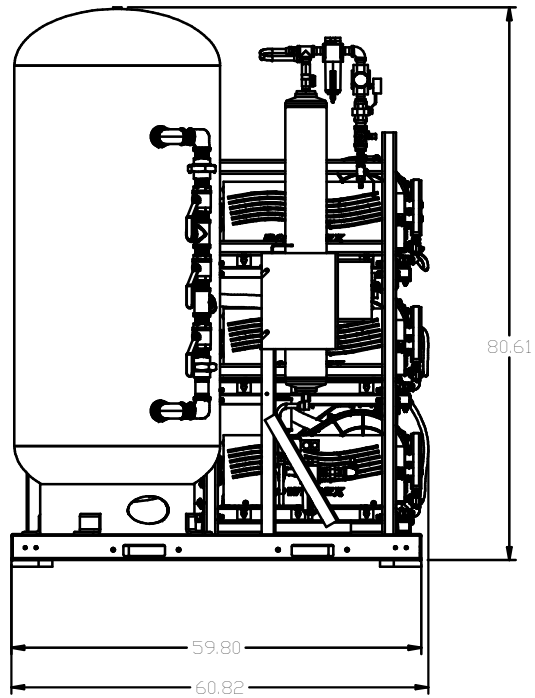
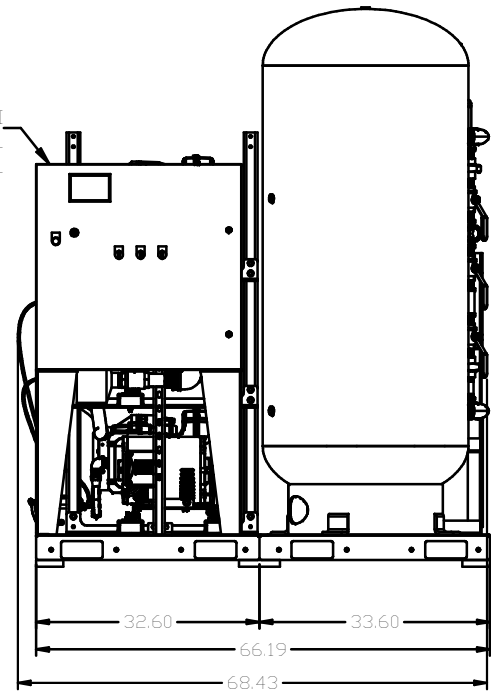
10HP DILLESS SCROLL (FUTURE EXPANSION)

2X 10HP DILLESS SCROLL AIR END

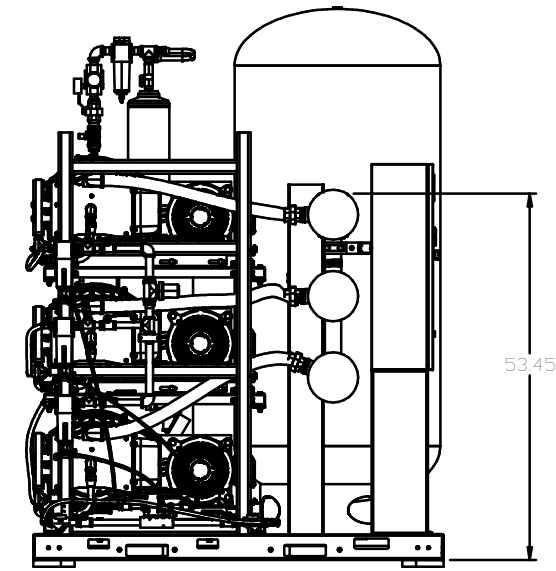
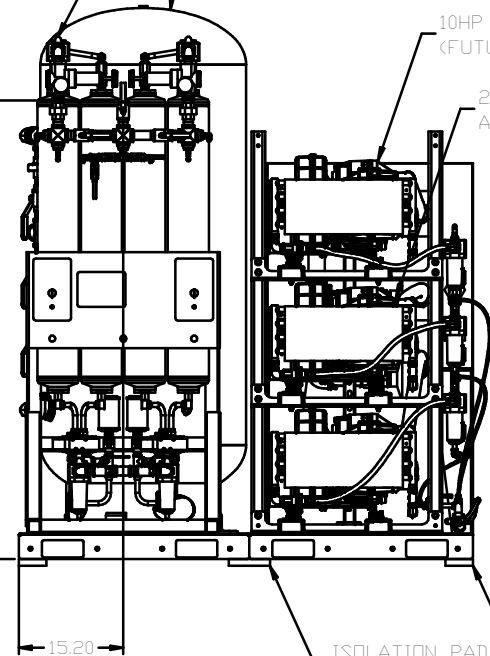
ISOLATION PADS 4" X 4" X 1"(QTY.4)

ISOLATION PADS 6" X 6" X 1"(QTY.2)

PBMI CONTROL PANEL



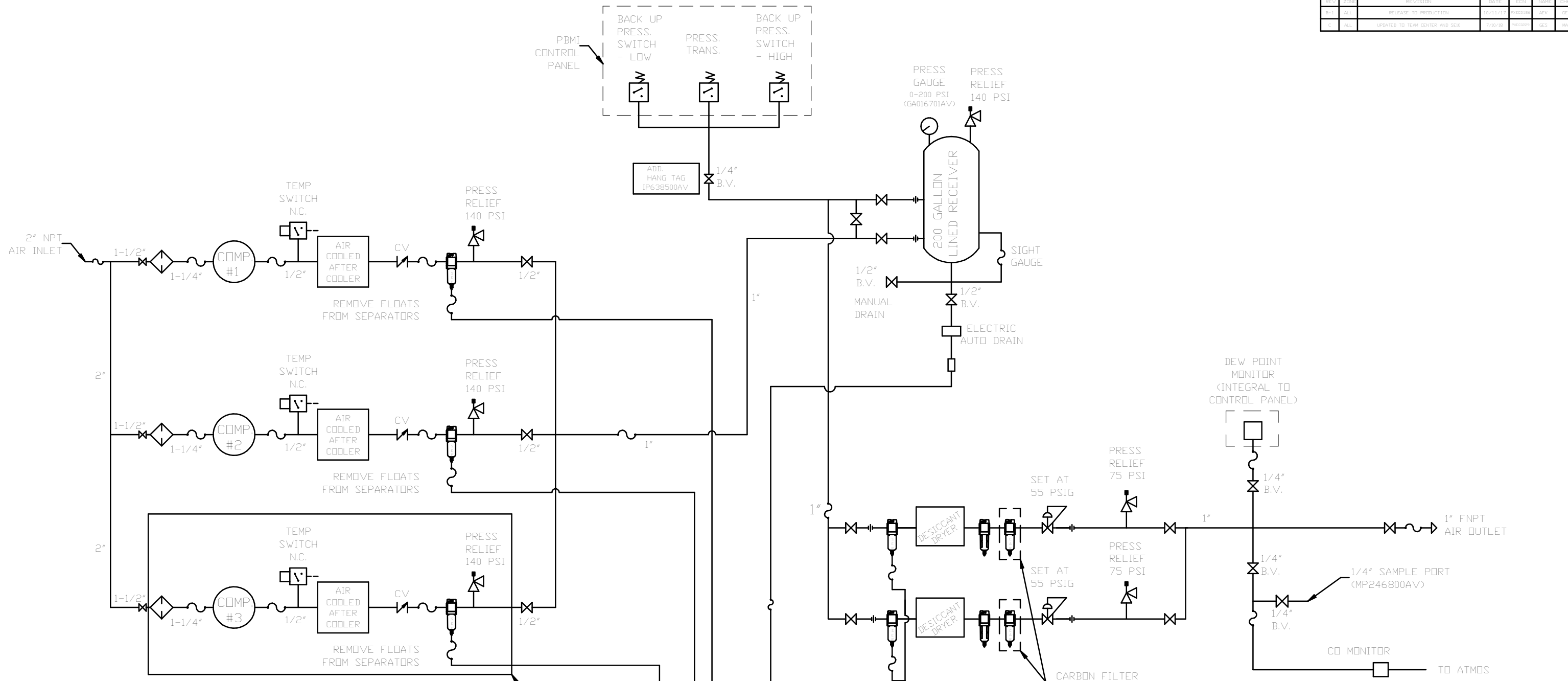
66.85 1" FNPT OUTLET



NOTE: SYSTEM DESIGNED IN COMPLIANCE WITH US NFPA'99, LATEST EDITION.

<p>MINUS DRAFT</p> <p>PLUS DRAFT</p>	<p>ADDITIONAL CONTROL REQ'D</p> <p>BRINELL HARDNESS</p>	<p>Drawings to conform to the current revision of the following ANSI standards:</p> <p>14.3 Multi and sectional view dgs.</p> <p>14.98 Dimensioning and tolerancing.</p>
<p>TOLERANCES NOT SPECIFIED</p> <p>XX ±</p> <p>XXX ±</p> <p>4 DEG ±</p>	<p>AUTOCAD</p> <p>REL2014 LT</p> <p>INCH</p>	<p>DO NOT SCALE DRAWING FOR DIMENSIONS</p> <p>SHEET 1 OF 2</p> <p>SCALE 1:14</p>
<p>CONFIDENTIAL DISCLOSURE: This drawing is the property of POWEREX, INC. of the SCOTT FEZZER COMPANY and subject to return on demand. Its contents are confidential and must not be copied or submitted to outside parties for use or examination.</p>		
<p>DRAWN BY: AEK</p> <p>CHECKED BY: GES</p> <p>APPROVED BY: DMS</p>	<p>DATE: 10/11/17</p> <p>DATE: 10/11/17</p> <p>DATE: 10/11/17</p> <p>DATE: 10/11/17</p>	<p>POWEREX</p> <p>150 PRODUCTION DRIVE, HARRISON, OHIO 45030</p> <p>PH: 800-762-7979 FAX: 513-321-2125</p>
<p>MATERIAL: N/A</p> <p>PART NAME: MED DUPLEX SCROLL EXP 10HP 200GAL BASEMOUNT DUPLEX DESICCANT</p>	<p>MSD10B5-EX3</p>	<p>SIZE: D</p>

REV.	DATE	REVISION	DATE	BY	CHKD.	APPD.
01	10/11/17	RELEASE TO PRODUCTION	10/11/17	AEK	GES	DES
02	10/11/17	UPDATED TO TEAM CENTER AND 3D	10/11/17	AEK	GES	DES



**LEGEND**

	RELIEF VALVE		PRESSURE SWITCH
	INTAKE FILTER		REGULATOR
	AIR FILTER		SEPARATOR
	3 WAY VALVE		CHECK VALVE
	CARBON FILTER		FLEX LINE
	BALL VALVE		HIGH TEMP SWITCH
			UNION

**NOTES:**  
 1) WITHOUT EXPANSION: IF LAG 1 COMPRESSOR IS ENERGIZED, ALARM WILL OCCUR.  
 WITH EXPANSION: IF LAG 2 COMPRESSOR IS ENERGIZED, ALARM WILL OCCUR.  
 2) PIPING TO THE INLET BY OTHERS AND TO BE PER NFPA99 4-3.1.1.9(b)  
 3) INSTRUMENTS DOWN STREAM OF SOURCE VALVE TO BE SUPPLIED BY OTHERS.

TOLERANCES NOT SPECIFIED XX ± XXX ± 4 DEC 1 3	AUTOCAD REL2014 LT INCH	DO NOT SCALE DRAWING FOR DIMENSIONS Sheet 2 of 2 SCALE 1:14
CONFIDENTIAL DISCLOSURE This drawing is the property of POWEREX, INC. of the SCOTT FETZER COMPANY and subject to return on demand. Its contents are confidential and must not be copied or submitted to outside parties for use or reproduction.		DRAWN BY: AEK CHECKED BY: GES APPROVED BY: DMS, BC
MATERIAL: N/A		 MEDICAL SCROLL DUPLEX EXPANDABLE TO TRIPLEX FLOW SCHEMATIC
PART NAME: MEDICAL SCROLL DUPLEX EXPANDABLE TO TRIPLEX FLOW SCHEMATIC		DWG NO: MSD10B5-EX3 SIZE: D