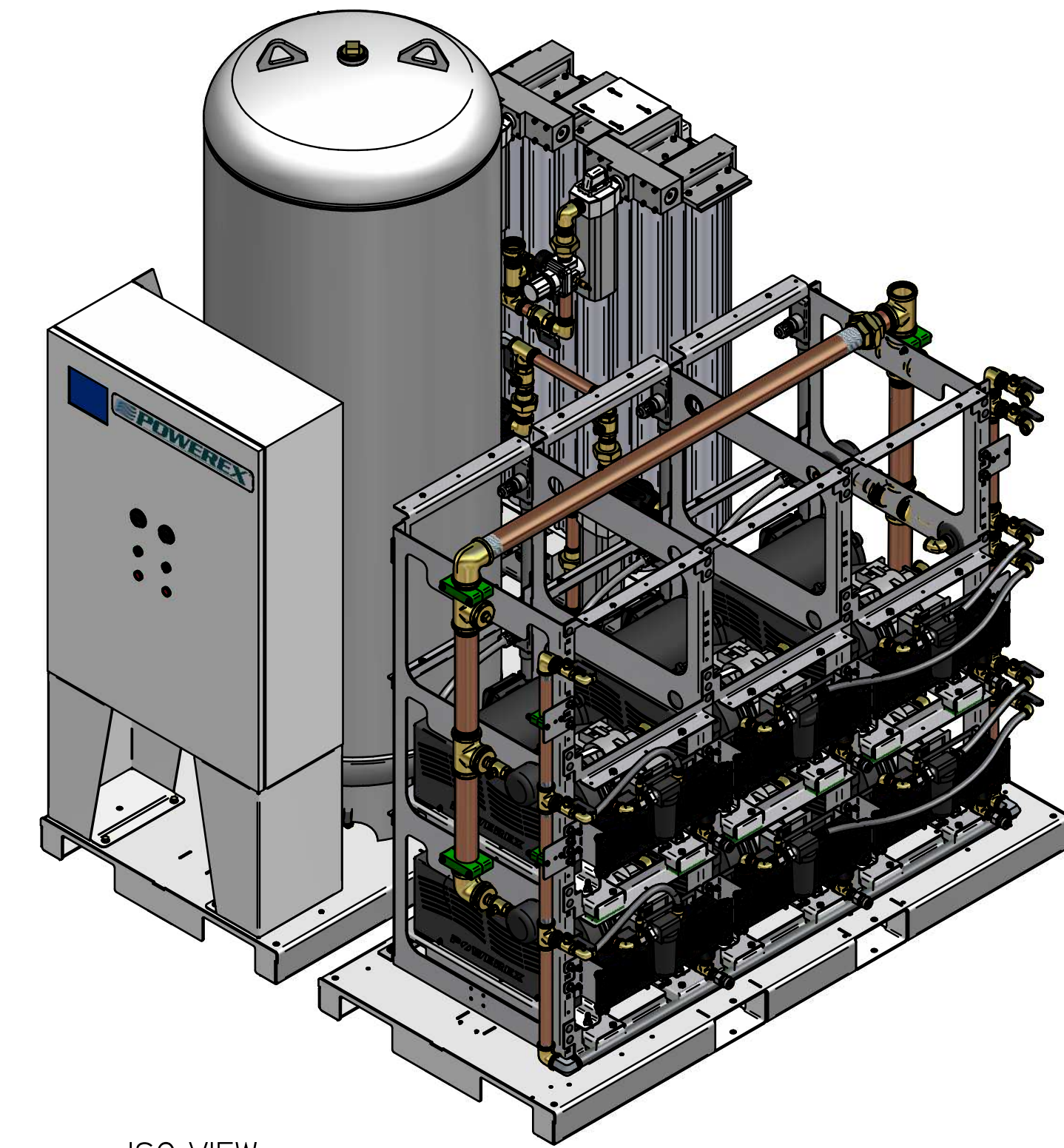
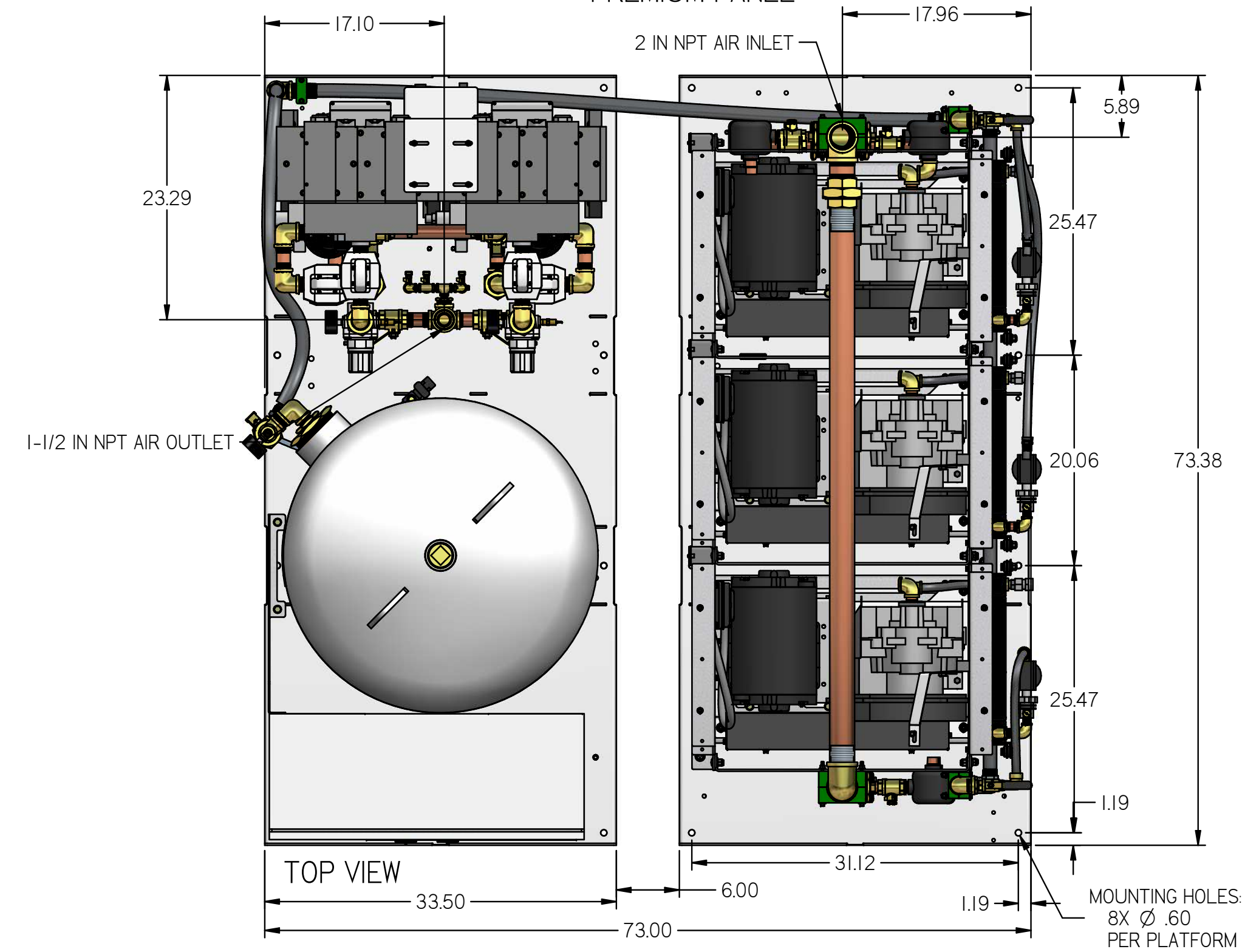


REVISION NOTES		
DESCRIPTION	ECN	PR/NOR
PRODUCTION RELEASE	PXECO169	N/A

MSDI5A6-EX3

MEDICAL OPEN SCROLL 15HP
 DUPLEX EXPANDIBLE TO TRI
 WITH 240 GALLON TANK

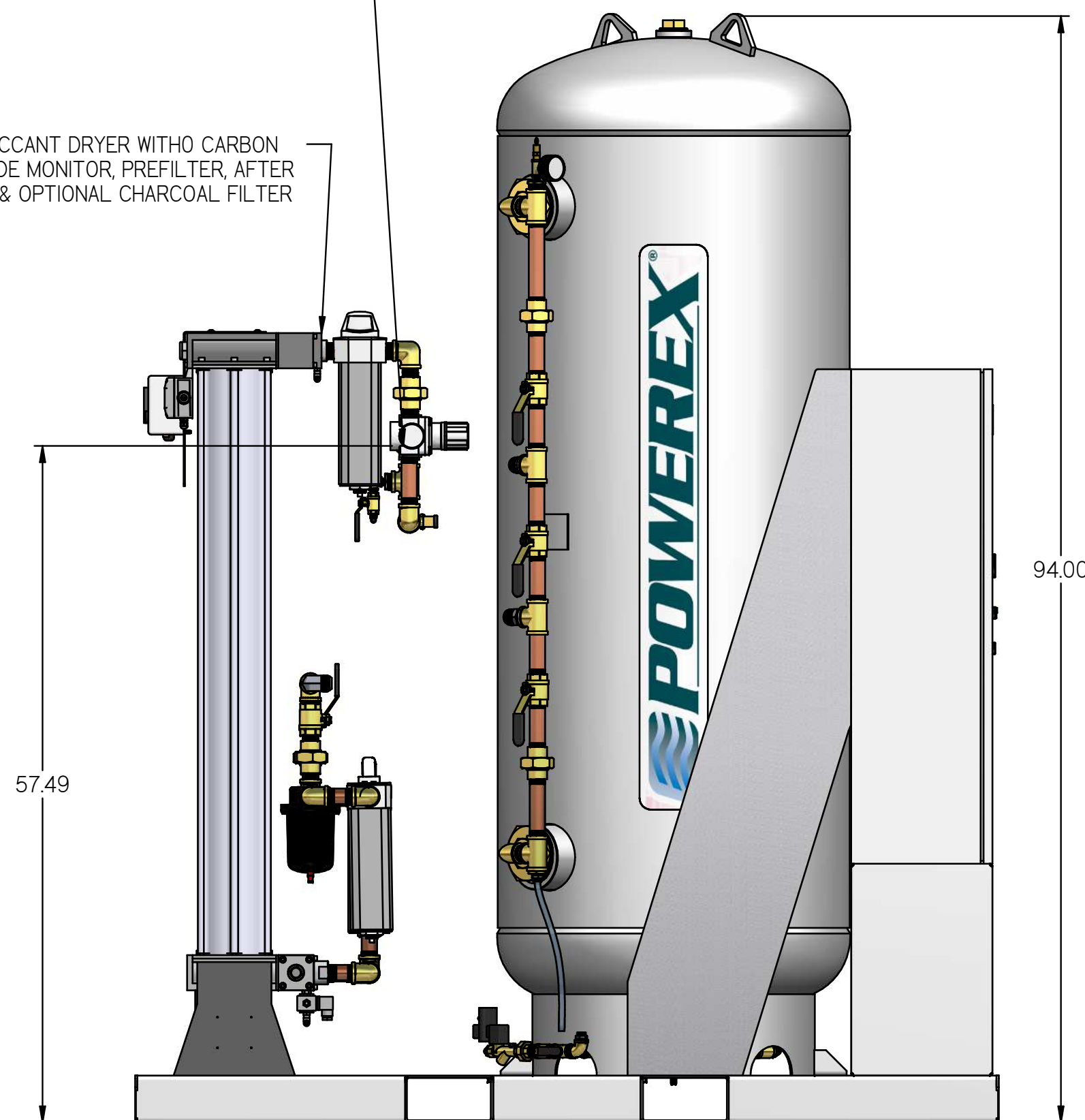
PREMIUM PANEL



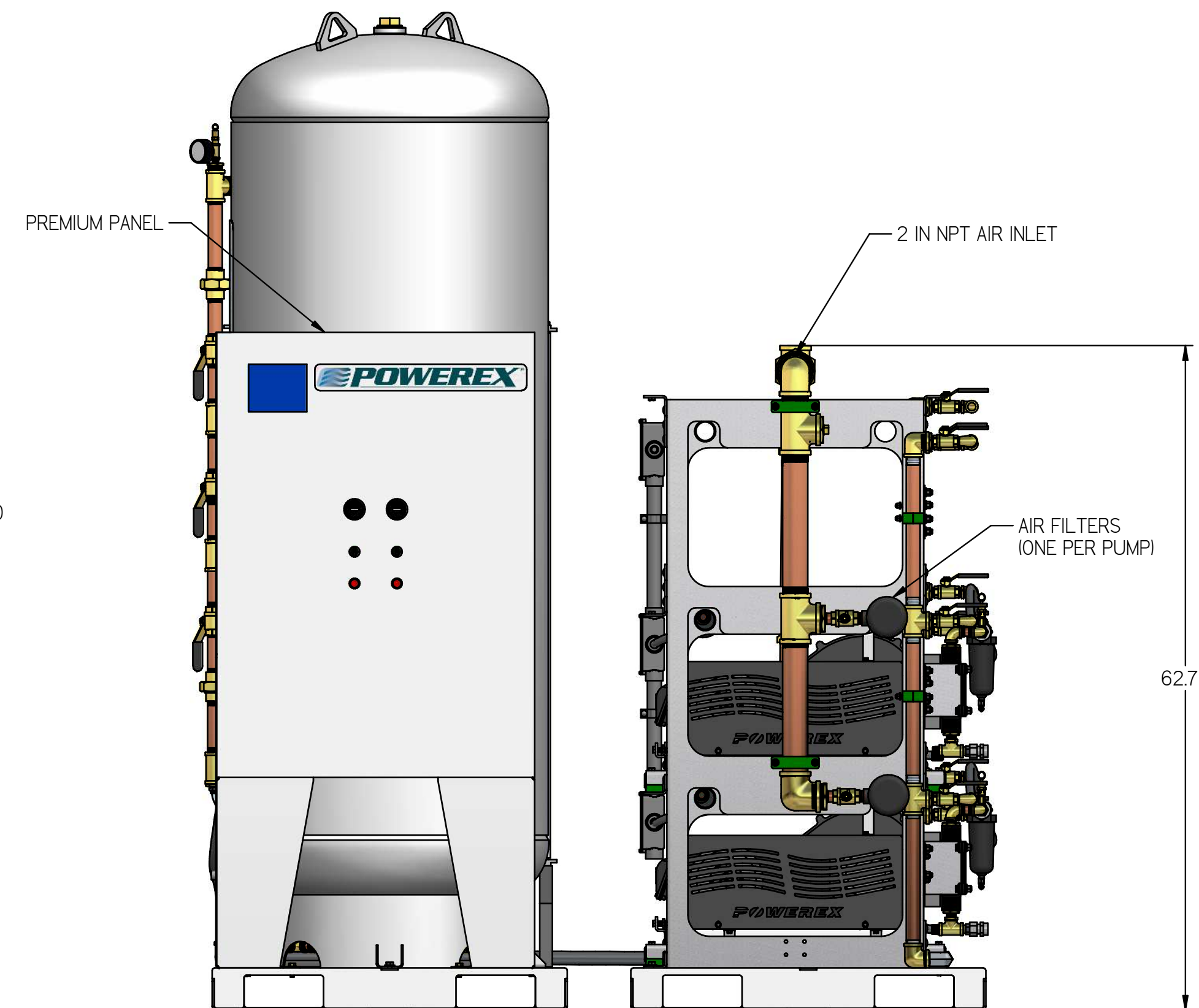
ISO VIEW

1-1/2 IN NPT AIR OUTLET
 NOTE: PUMP STACK AND PART OF DRYER
 OUTLET PLUMBING HIDDEN

2X DESICCANT DRYER WITH CARBON
 MONOXIDE MONITOR, PREFILTER, AFTER
 FILTER, & OPTIONAL CHARCOAL FILTER

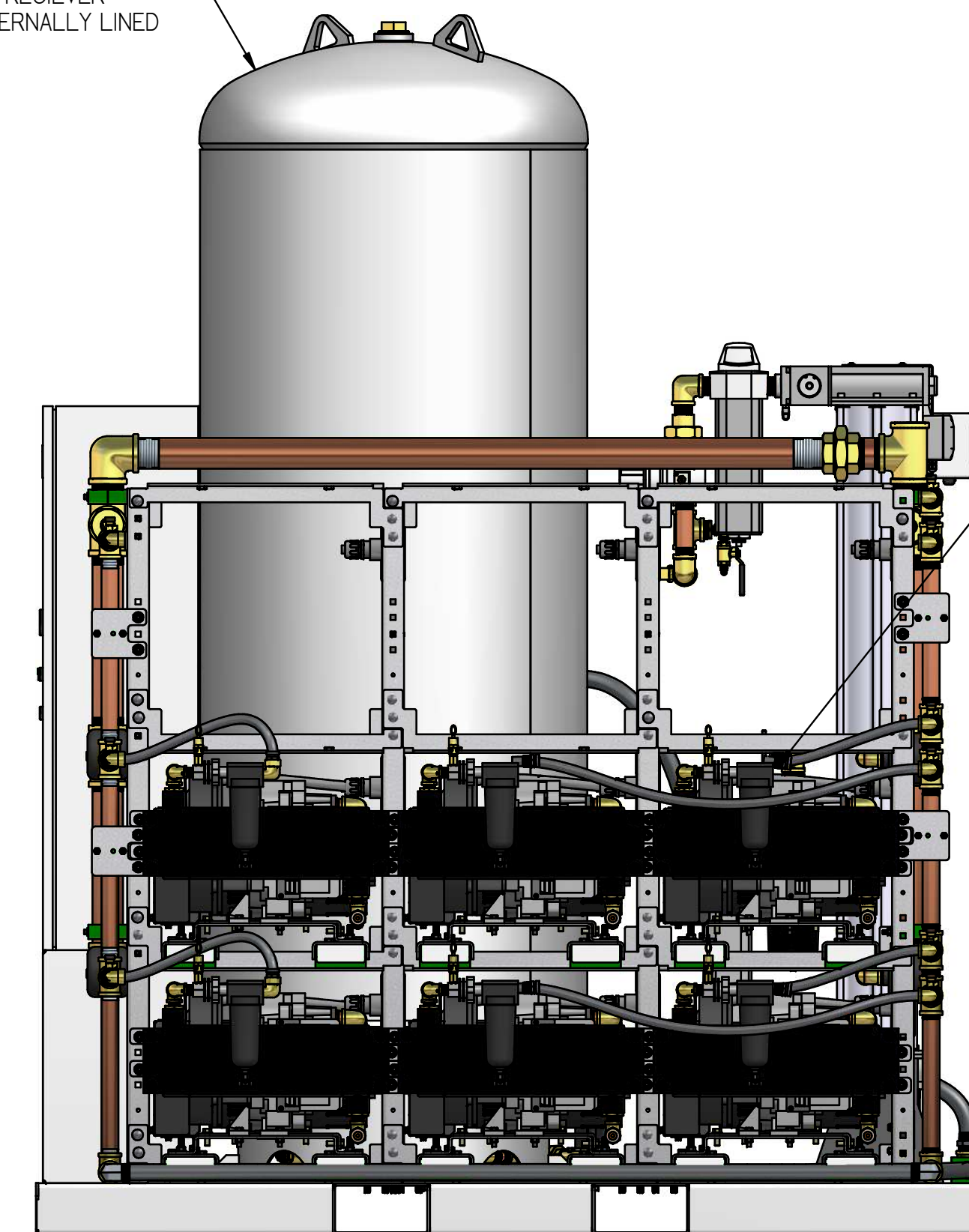


LEFT VIEW



FRONT VIEW

240 GALLON ASME
 AIR RECEIVER
 INTERNALLY LINED



RIGHT VIEW

- NOTES:
 1. APPROX SYSTEM WEIGHT: 3532 LB
 2. 24" MINIMUM MAINTENANCE CLEARANCE RECOMMENDED
 ALL SIDES. CLEARANCE FOR CONTROL PANEL SHALL BE IN
 ACCORDANCE WITH OSHA/NEC REQUIREMENTS

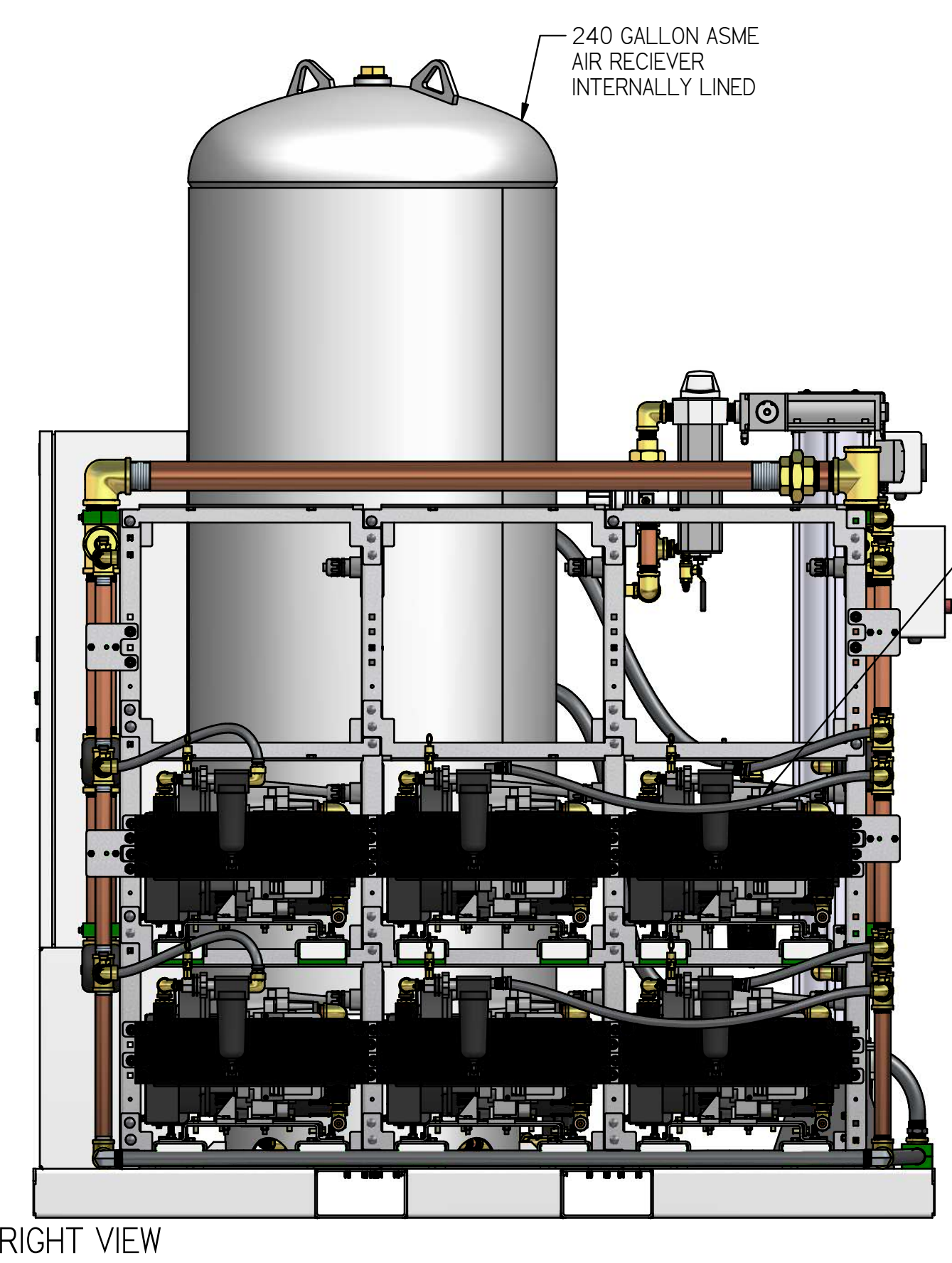
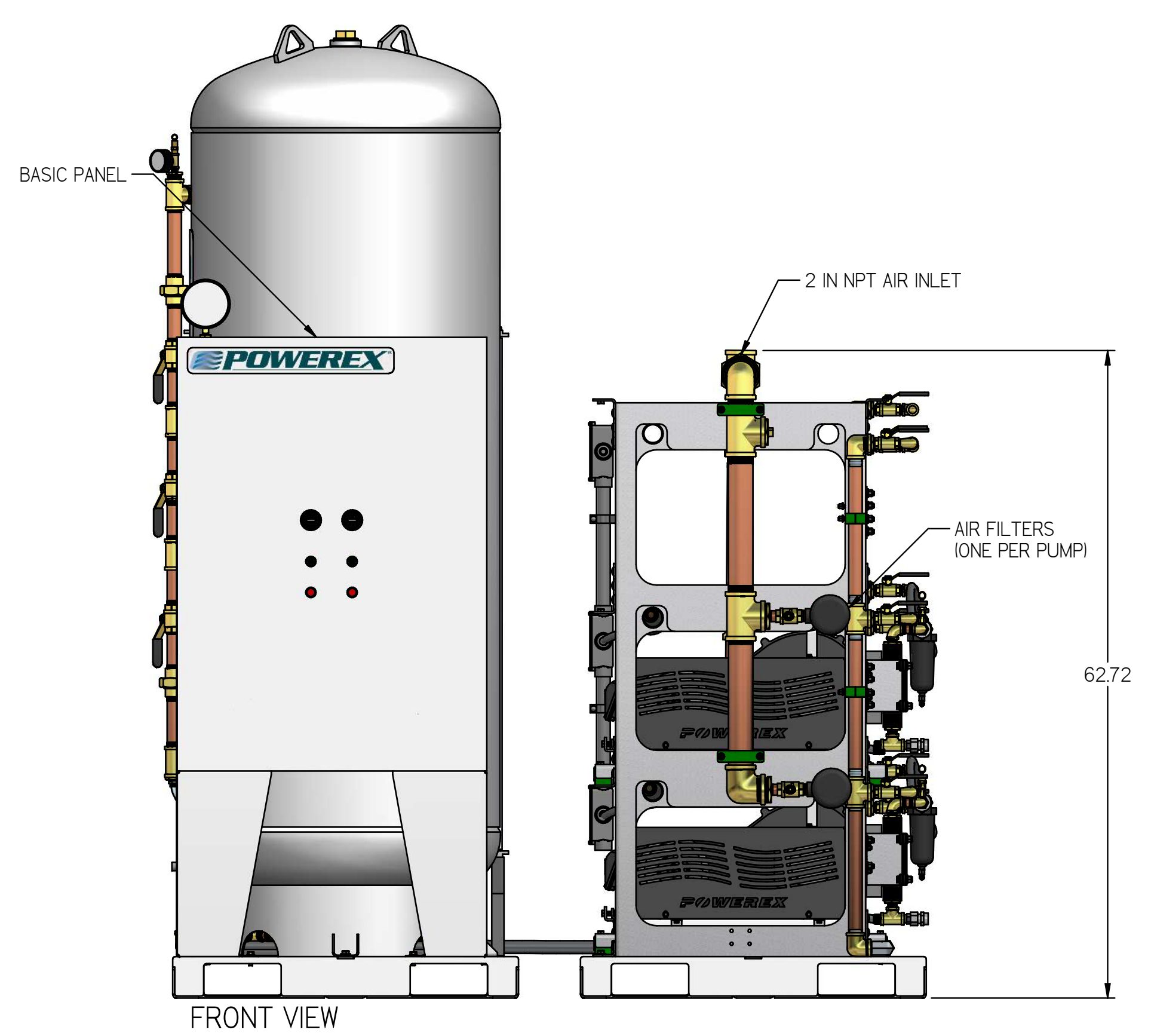
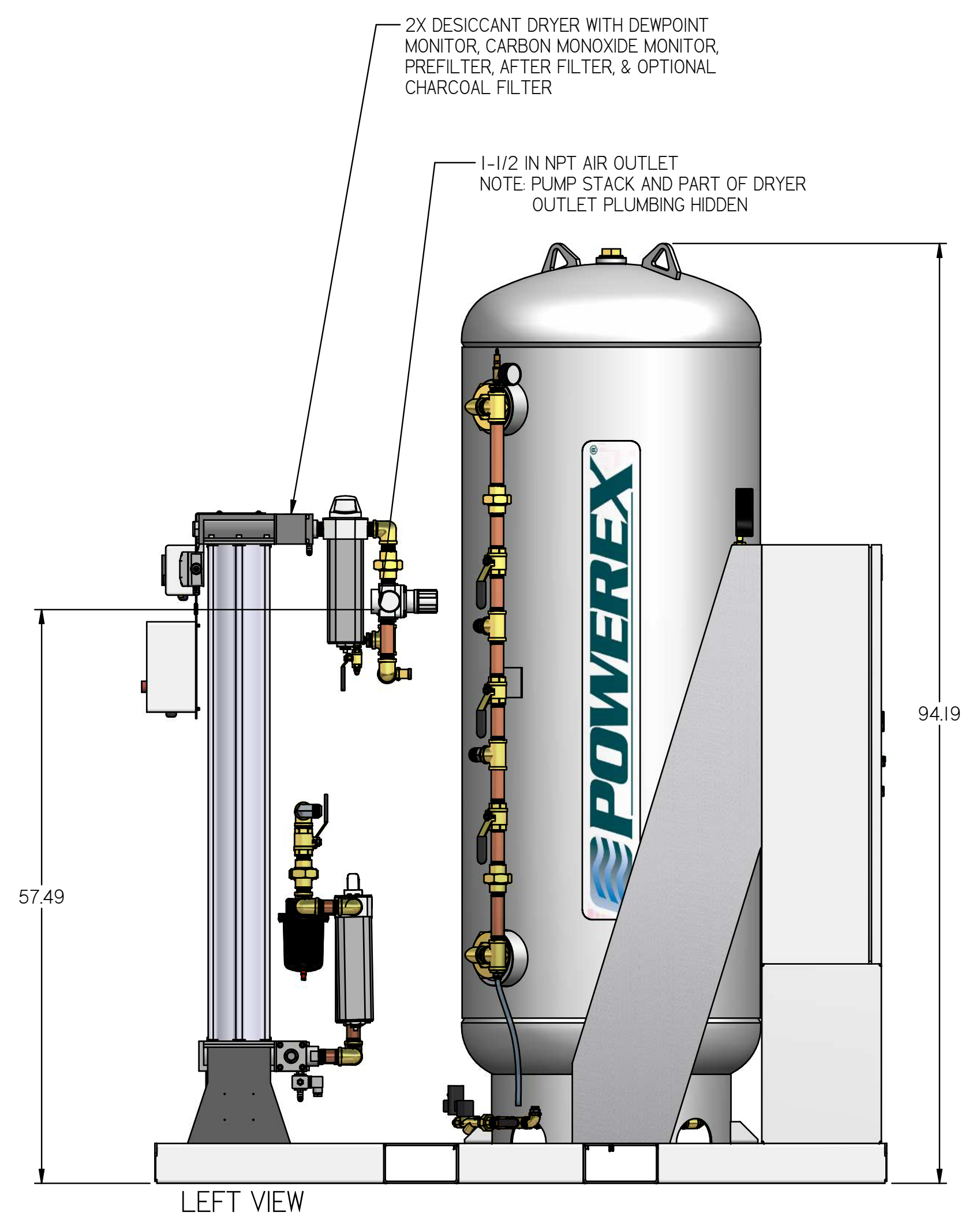
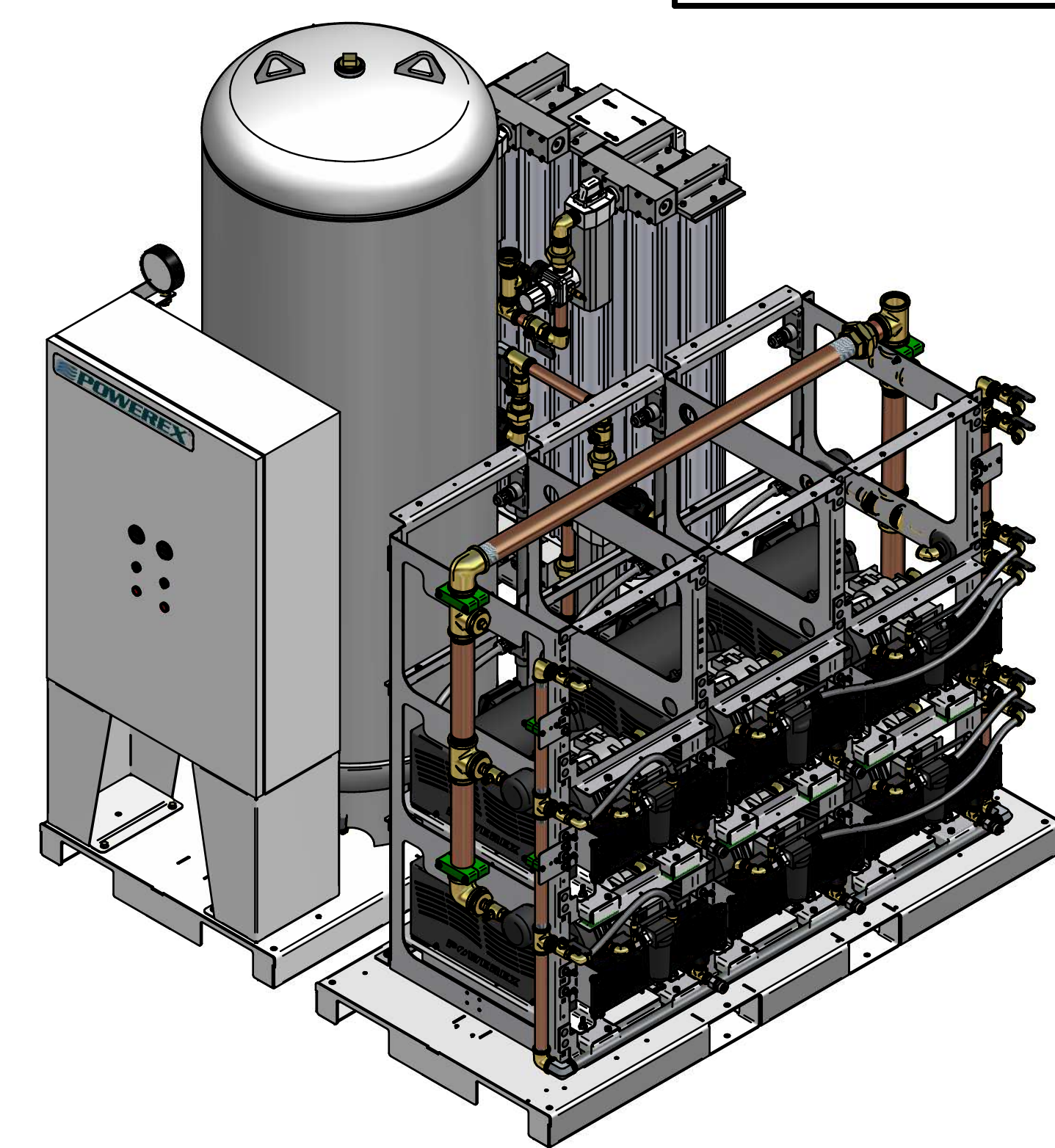
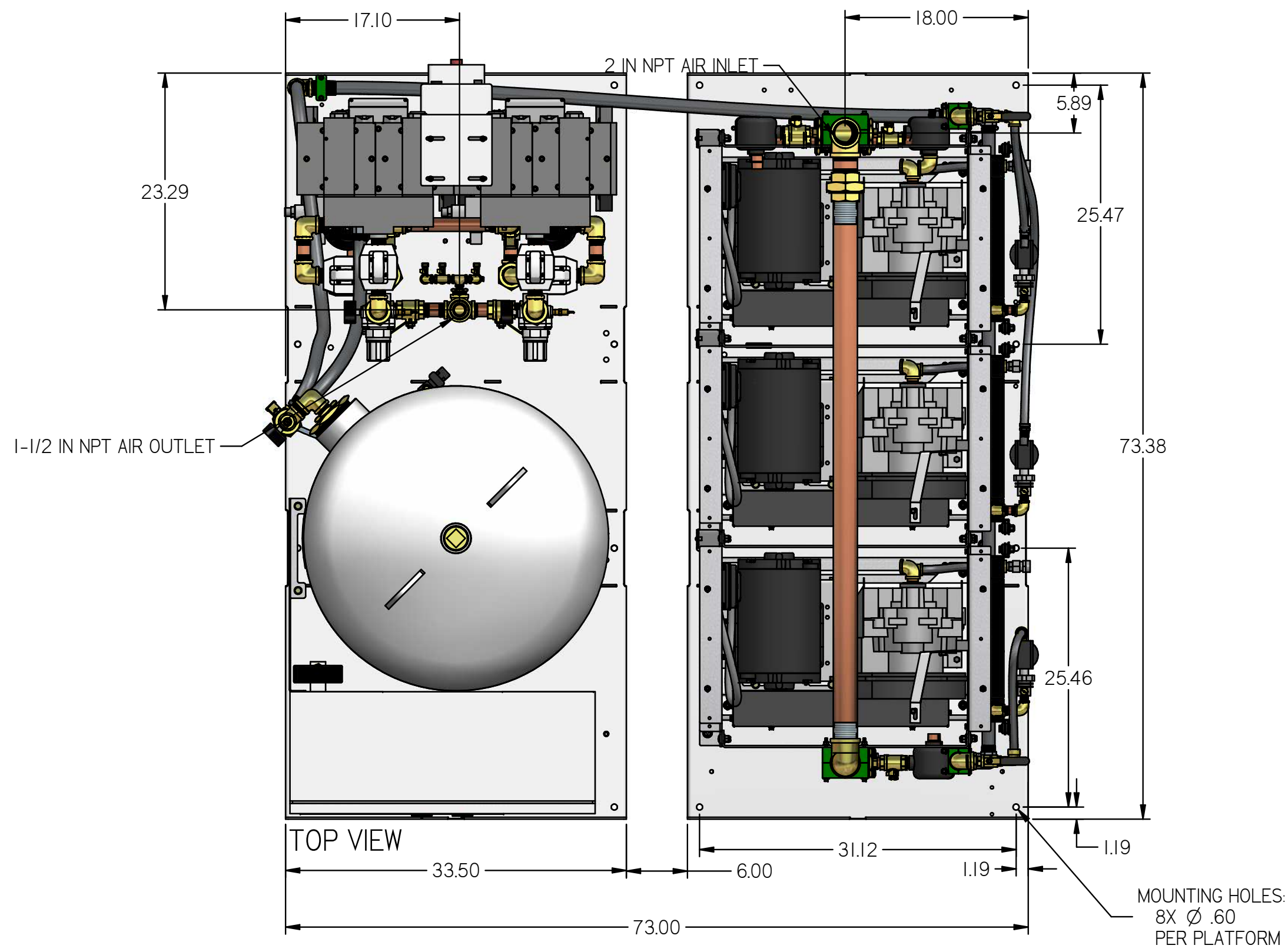
SYMBOL LEGEND		DRAWINGS TO CONFORM TO CURRENT REVISION OF THE FOLLOWING ANSI STANDARDS:		
TOLERANCES NOT SPECIFIED	SOLID EDGE DRAWING	DO NOT SCALE DRAWING FOR DIMENSIONS		
0.XXX ± .01	INCH	SHEET 1 OF 5	SCALE	1:1 (1:1)
0.XXX ± .005		APPROVALS ON FILE IN PLM		
CONFIDENTIAL DISCLOSURE: This drawing is the property of POWEREX of the SCOTT FETTER COMPANY and is subject to return on demand. Its contents are confidential and must not be copied or submitted to outside parties for use or examination.		AUTHOR	ORIGINATION DATE	APPROVALS ON FILE IN PLM
MATERIAL: 716583		ASoulek	10/31/2018	
SEE PART NOTES		DRAWING NUMBER: MSDI5A6-EX3		
DESCRIPTION: MEDICAL OPEN SCROLL 15HP DUPLEX EXPANDIBLE TO TRI WITH 240 GALLON TANK		REVISION	B	D



MSDI5A6-EX3

MEDICAL OPEN SCROLL 15HP
 DUPLEX EXPANDIBLE TO TRI
 WITH 240 GALLON TANK
 BASIC PANEL

REVISION NOTES		
DESCRIPTION	ECN	PR/NOR
PRODUCTION RELEASE	PXECO169	N/A



NOTES:
 1. APPROX SYSTEM WEIGHT: 3532 LB
 2. 24" MINIMUM MAINTENANCE CLEARANCE RECOMMENDED ALL SIDES. CLEARANCE FOR CONTROL PANEL SHALL BE IN ACCORDANCE WITH OSHA/NEC REQUIREMENTS

SYMBOL LEGEND		DRAWINGS TO CONFORM TO CURRENT REVISION OF THE FOLLOWING ANSI STANDARDS:		
TOLERANCES NOT SPECIFIED	SOLID EDGE DRAWING	1:43 MULTI AND SECTIONAL VIEW DIMS	1:143 DIMENSIONING AND TOLERANCING	DO NOT SCALE DRAWING FOR DIMENSIONS
0.XXX ± .01	IND	SHEET 2 OF 5	SCALE	1:1.11
0.XXX ± .005				
<small>CONFIDENTIAL DISCLOSURE</small> This drawing is the property of POWEREX of the SCOTT FETTER COMPANY and is subject to return on demand. Its contents are confidential and must not be copied or submitted to outside parties for use or examination.		AUTHOR	ORIGINATION DATE	APPROVALS ON FILE IN PLM
TITLE: 716583 MATERIAL: SEE PART NOTES		ASoulek	10/31/2018	
DESCRIPTION: MEDICAL OPEN SCROLL 15HP DUPLEX EXPANDIBLE TO TRI WITH 240 GALLON TANK		DRAWING NUMBER: MSDI5A6-EX3	REVISION: B	SIZE: D

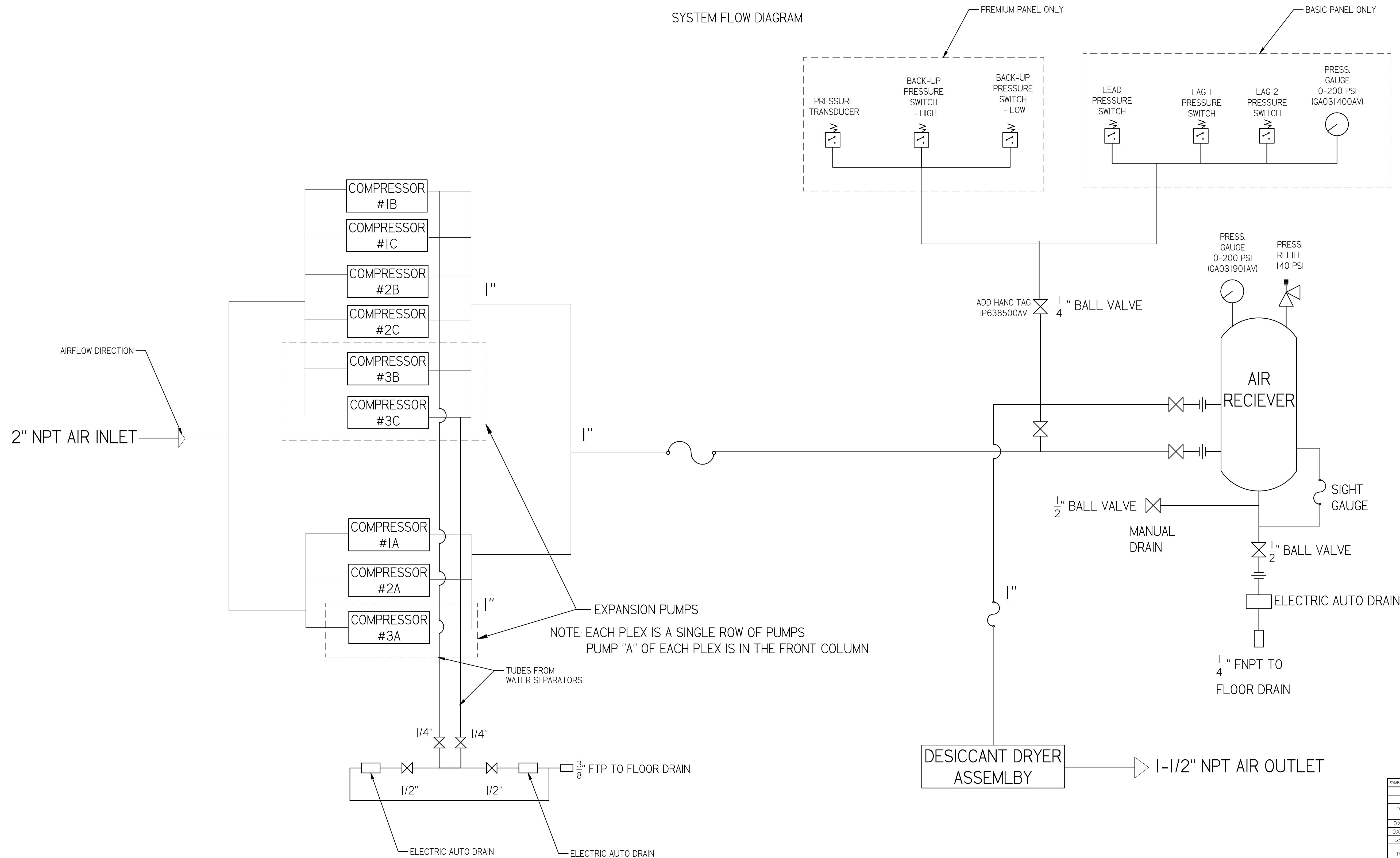


MSDI5A6-EX3

MEDICAL OPEN SCROLL 15HP
 DUPLEX EXPANDIBLE TO TRI
 WITH 240 GALLON TANK

SYSTEM FLOW DIAGRAM

REVISION NOTES		
DESCRIPTION	ECN	PR/NOR
PRODUCTION RELEASE	PXECO169	N/A



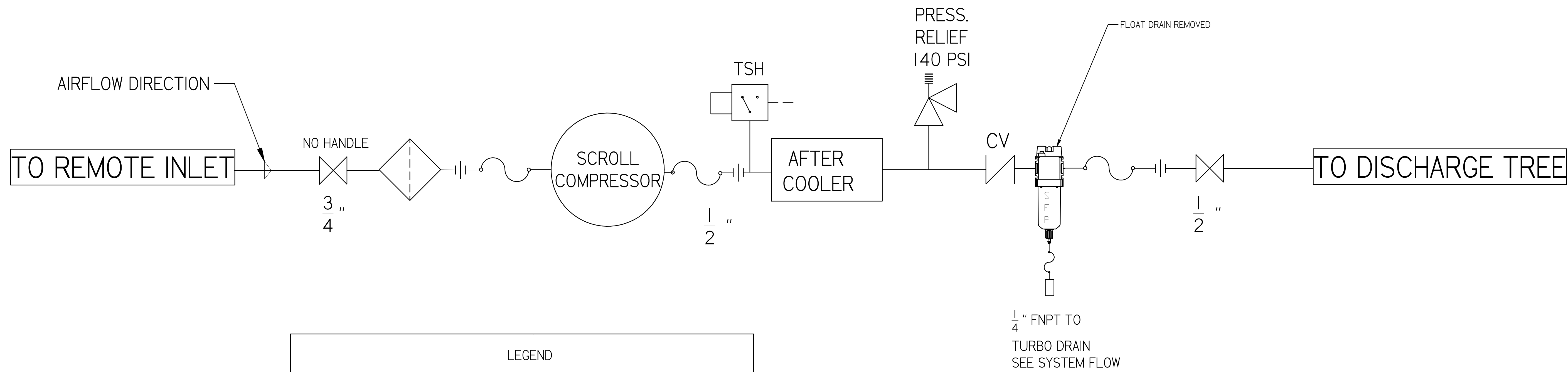
NOTE: EACH PLEX IS A SINGLE ROW OF PUMPS
 PUMP "A" OF EACH PLEX IS IN THE FRONT COLUMN

SYMBOL LEGEND		DRAWINGS TO CONFORM TO CURRENT REVISION OF THE FOLLOWING ANSI STANDARDS:	
TOLERANCES NOT SPECIFIED	SOLID EDGE DRAWING	Y14.3 MULTI AND SECTIONAL VIEW DIMS	Y14.5 DIMENSIONING AND TOLERANCING
0.00X ± .01	INCH	DO NOT SCALE DRAWING FOR DIMENSIONS	
0.00X ± .005		SHEET 3 OF 5	SCALE 1:1
<small>CONFIDENTIAL DISCLOSURE</small> This drawing is the property of POWEREX of the SCOTT FETTER COMPANY and is subject to return on demand. Its contents are confidential and must not be copied or submitted to outside parties for use or examination.		AUTHOR	APPROVALS ON FILE IN PLM
<small>FROM FILE</small> 716583		ASoulek	10/31/2018
<small>MATERIAL</small> SEE PART NOTES			
<small>DESCRIPTION</small> MEDICAL OPEN SCROLL 15HP DUPLEX EXPANDIBLE TO TRI WITH 240 GALLON TANK		<small>DRAWING NUMBER</small> MSDI5A6-EX3	<small>REVISION</small> B
			<small>SIZE</small> D

REVISION NOTES		
DESCRIPTION	ECN	PR/NOR
PRODUCTION RELEASE	PXECO169	N/A

MSDI5A6-EX3

MEDICAL OPEN SCROLL 15HP
 DUPLEX EXPANDIBLE TO TRI
 WITH 240 GALLON TANK
 MEDICAL COMPRESSOR
 FLOW DIAGRAM



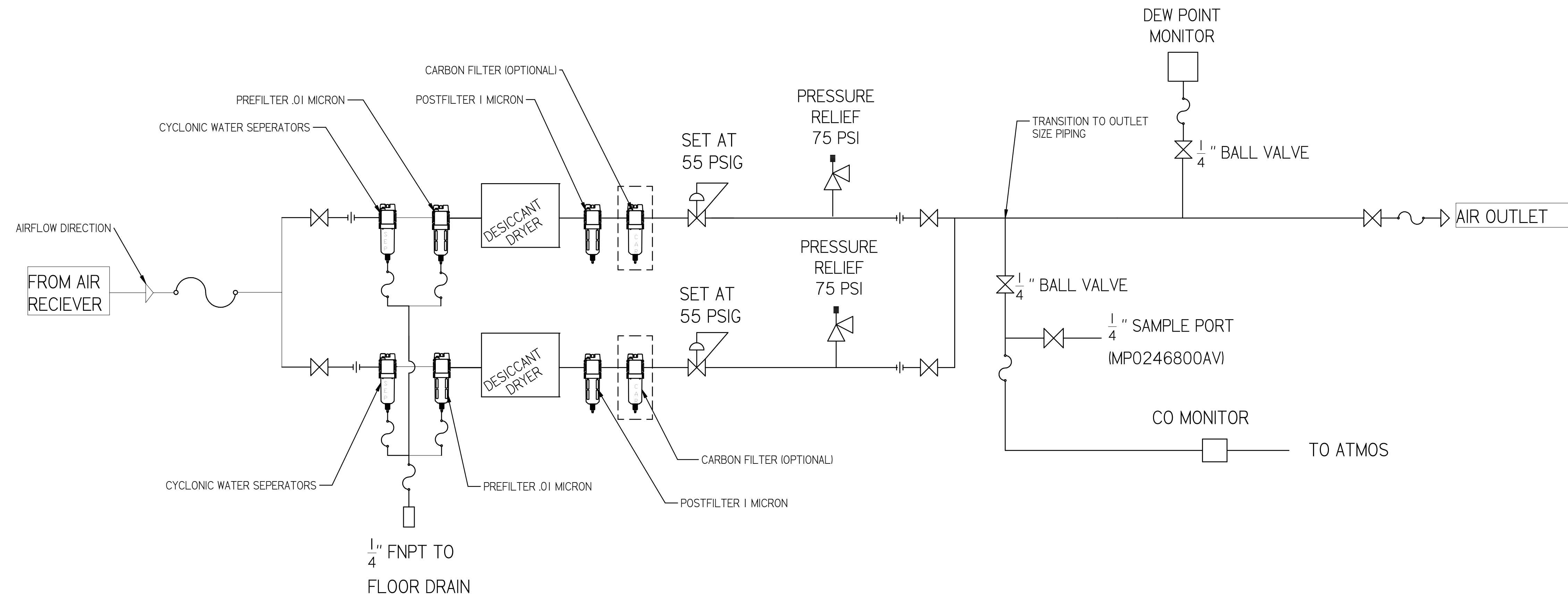
LEGEND	
	RELIEF VALVE
	INTAKE FILTER
	AIR FILTER
	3 WAY VALVE
	CARBON FILTER
	BALL VALVE
	PRESSURE SWITCH
	REGULATOR
	SEPARATOR
	CHECK VALVE
	FLEX LINE
	TSH HIGH TEMP SWITCH

SYMBOL LEGEND		DRAWINGS TO CONFORM TO CURRENT REVISION OF THE FOLLOWING ANSI STANDARDS:	
TOLERANCES NOT SPECIFIED:		1:4:3 MULTI AND SECTIONAL VIEW DIMS 1:4:3 DIMENSIONING AND TOLERANCING	
0.XX ± .01	SOLID EDGE DRAWING	DO NOT SCALE DRAWING FOR DIMENSIONS	
0.XXX ± .005		SHEET 4 OF 5	SCALE 1:1
± .5	INCH	APPROVALS ON FILE IN PLM	
<small>CONFIDENTIAL DISCLOSURE</small> This drawing is the property of POWEREX of the SCOTT FETTER COMPANY and is subject to return on demand. Its contents are confidential and must not be copied or submitted to outside parties for use or examination.		AUTHOR	ORIGINATION DATE
ITEM NO: 716583 MATERIAL: SEE PART NOTES		ASoulek	10/31/2018
DESCRIPTION: MEDICAL OPEN SCROLL 15HP DUPLEX EXPANDIBLE TO TRI WITH 240 GALLON TANK		 150 PRODUCTION DRIVE, HARRISON OH 45030 (888) 768-7079	
DRAWING NUMBER		REVISION	SIZE
MSDI5A6-EX3		B	D

REVISION NOTES		
DESCRIPTION	ECN	PR/NOR
PRODUCTION RELEASE	PXECO169	N/A

MSDI5A6-EX3

MEDICAL OPEN SCROLL 15HP
 DUPLEX EXPANDIBLE TO TRI
 WITH 240 GALLON TANK
 MEDICAL DRYER
 FLOW DIAGRAM



PUMP COUNT	DRYER PLUMBING SIZE	OUTLET PIPE SIZE
2	1/2"	1/2"
3	1/2"	1"
4	1/2"	1"
6	1"	1-1/2"
8	1"	1-1/2"
9	1"	1-1/2"
12	1-1/2"	2"
15	1-1/2"	2"
18	1-1/2"	2"

SYMBOL LEGEND		DRAWINGS TO CONFORM TO CURRENT REVISION OF THE FOLLOWING ANSI STANDARDS: Y14.3 MULTI AND SECTIONAL VIEW DWGS Y14.5 DIMENSIONING AND TOLERANCING	
TOLERANCES NOT SPECIFIED	SOLID EDGE DRAWING	DO NOT SCALE DRAWING FOR DIMENSIONS	
0.XXX ± .01	INCH	SHEET 5 OF 5	SCALE 1:1
0.XXX ± .005			
± .5			
<small>CONFIDENTIAL DISCLOSURE</small> This drawing is the property of POWEREX or the SCOTT FETTER COMPANY and is subject to return on demand. Its contents are confidential and must not be copied or submitted to outside parties for use or examination.		AUTHOR	ORIGINATION DATE
<small>CONFIDENTIAL DISCLOSURE</small> This drawing is the property of POWEREX or the SCOTT FETTER COMPANY and is subject to return on demand. Its contents are confidential and must not be copied or submitted to outside parties for use or examination.		ASoulek	10/31/2018
<small>CONFIDENTIAL DISCLOSURE</small> This drawing is the property of POWEREX or the SCOTT FETTER COMPANY and is subject to return on demand. Its contents are confidential and must not be copied or submitted to outside parties for use or examination.			
<small>CONFIDENTIAL DISCLOSURE</small> This drawing is the property of POWEREX or the SCOTT FETTER COMPANY and is subject to return on demand. Its contents are confidential and must not be copied or submitted to outside parties for use or examination.		150 PRODUCTION DRIVE, HARRISON OH 45030 (888) 768-7079	
ITEM NO:	716583	DRAWING NUMBER:	MSDI5A6-EX3
MATERIAL:	SEE PART NOTES	REVISION:	B
DESCRIPTION:	MEDICAL OPEN SCROLL 15HP DUPLEX EXPANDIBLE TO TRI WITH 240 GALLON TANK	SIZE:	D

