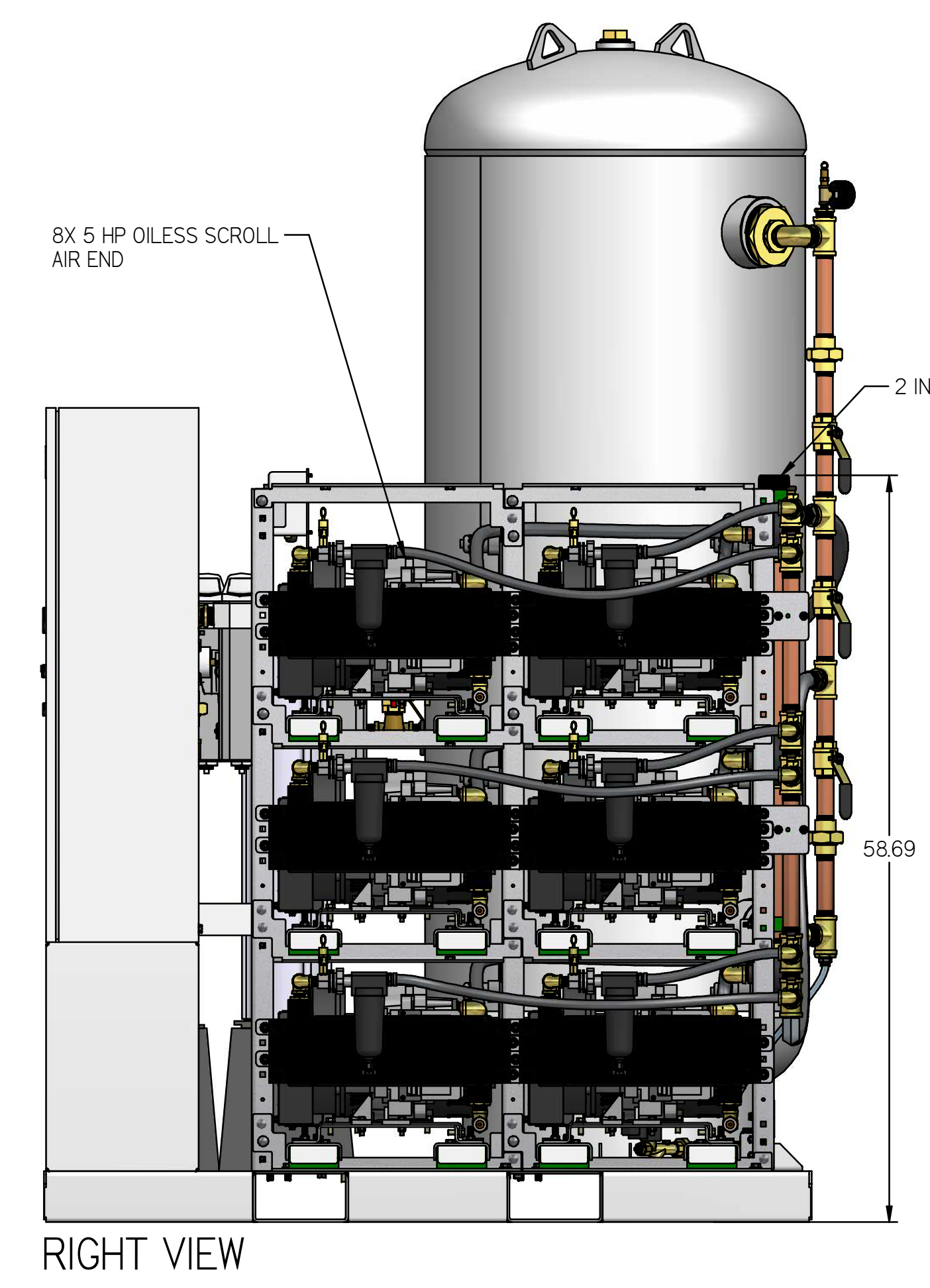
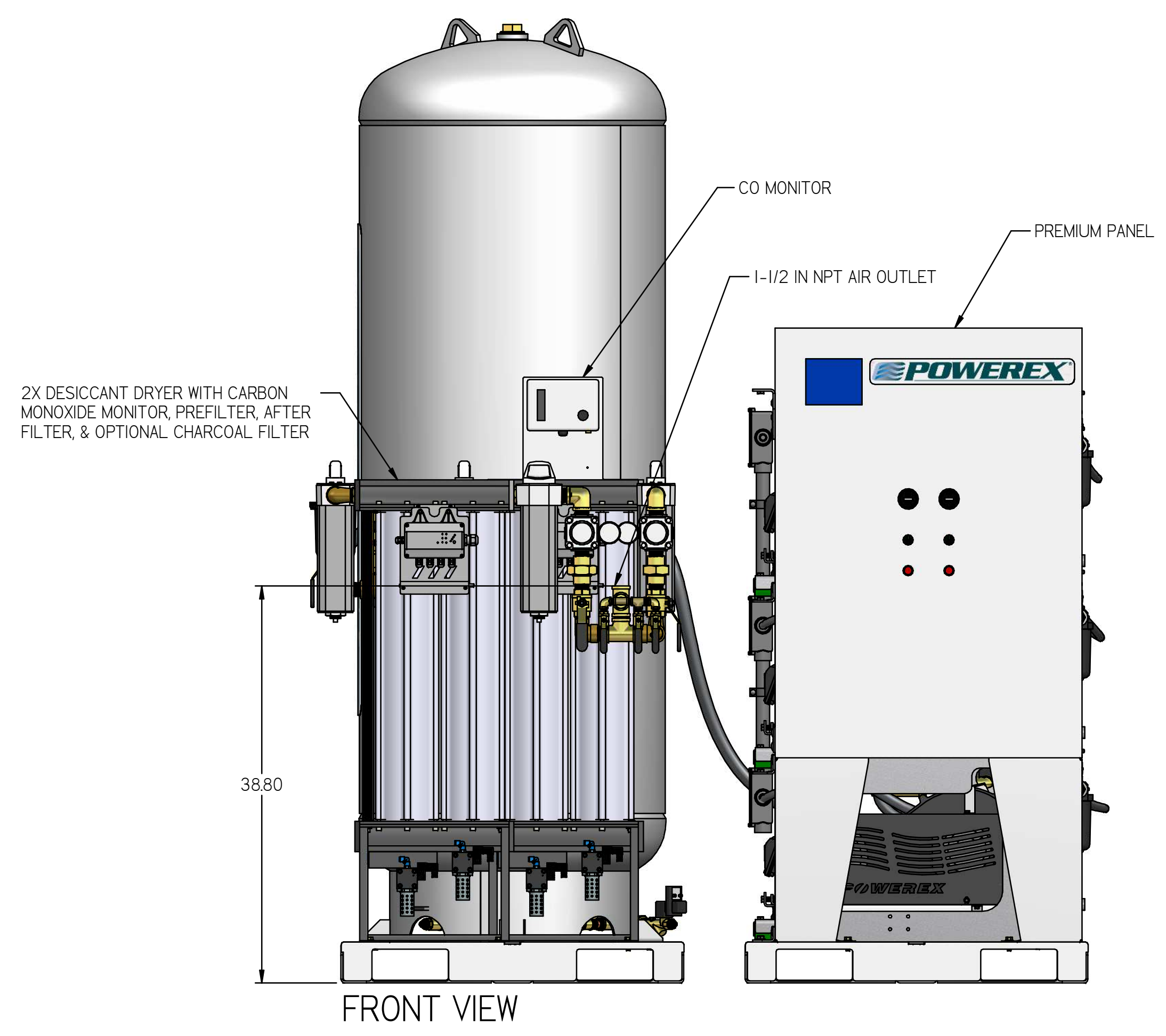
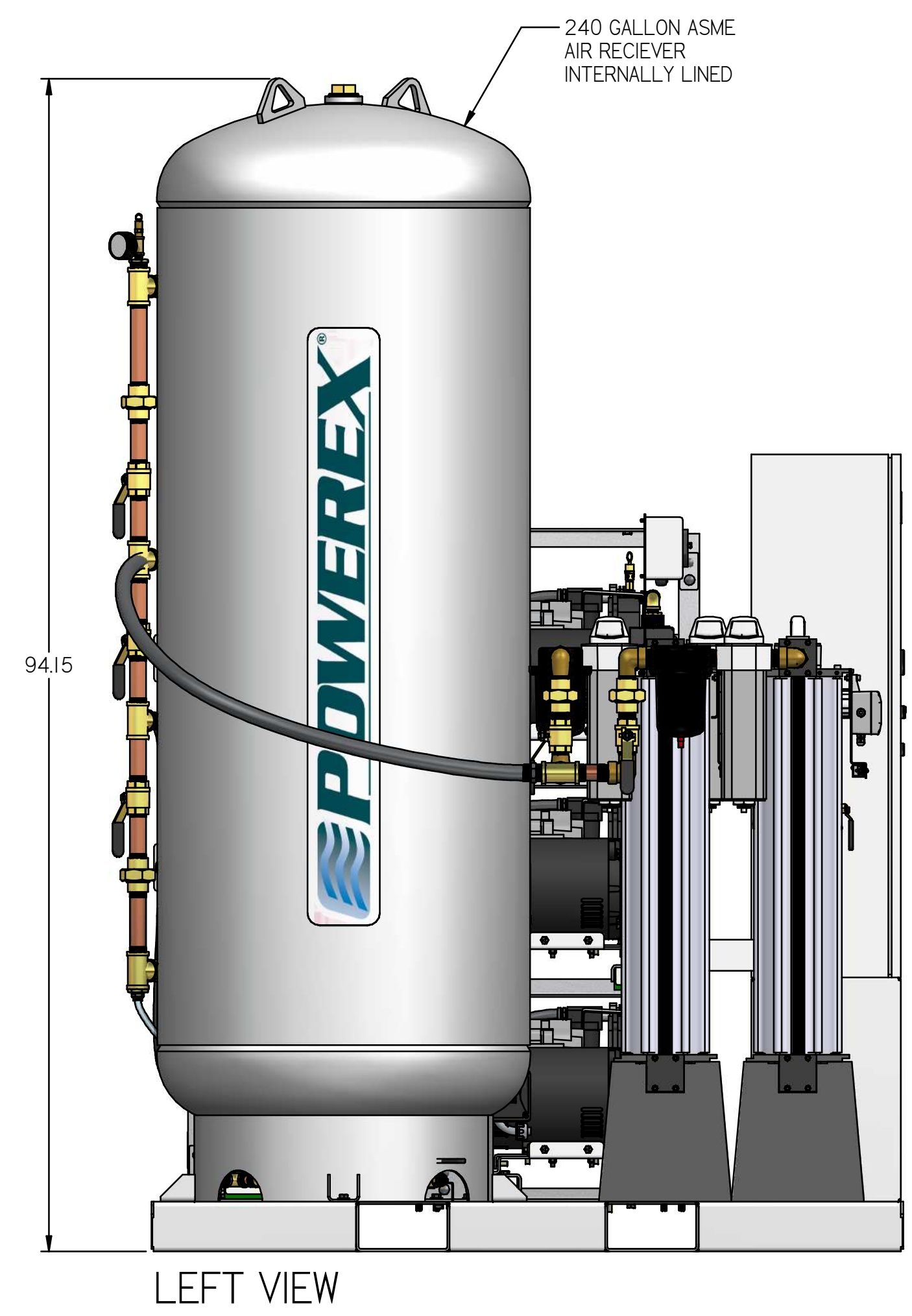
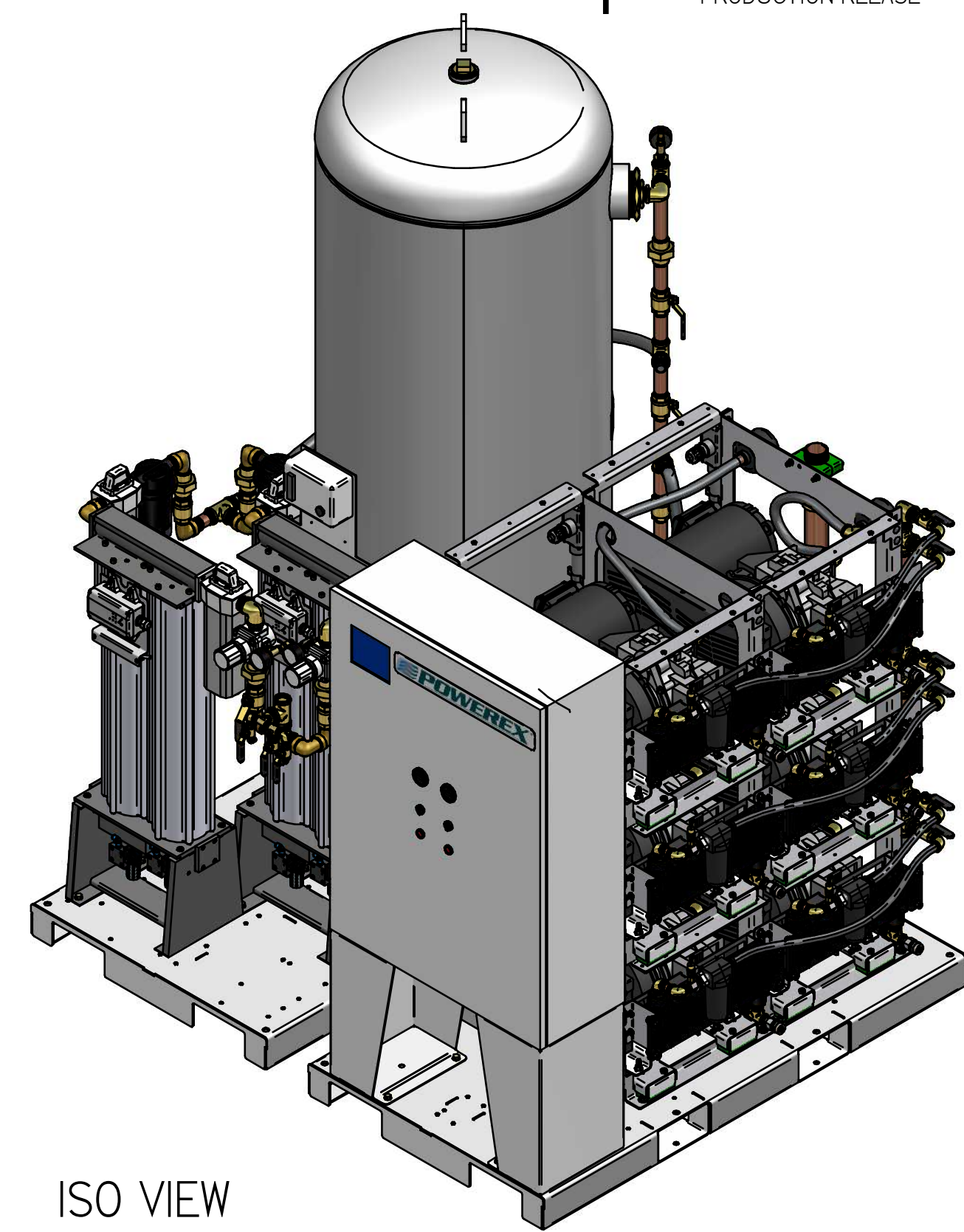
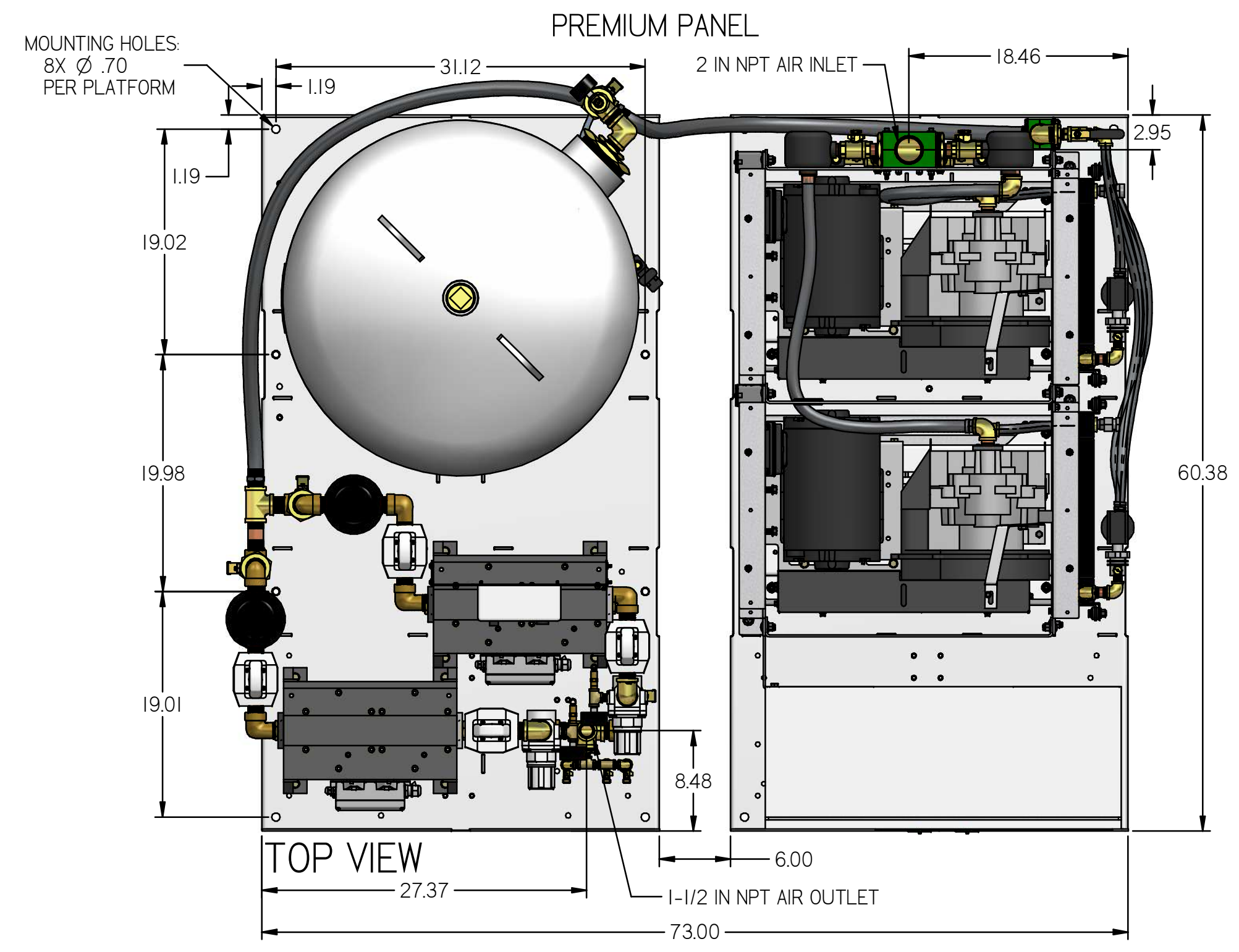


REVISION NOTES		
DESCRIPTION	ECN	PR/NOR
PRODUCTION RELEASE	PXECO169	N/A

# MSD15A6

## MEDICAL OPEN SCROLL 15HP DUPLEX WITH 240 GALLON TANK



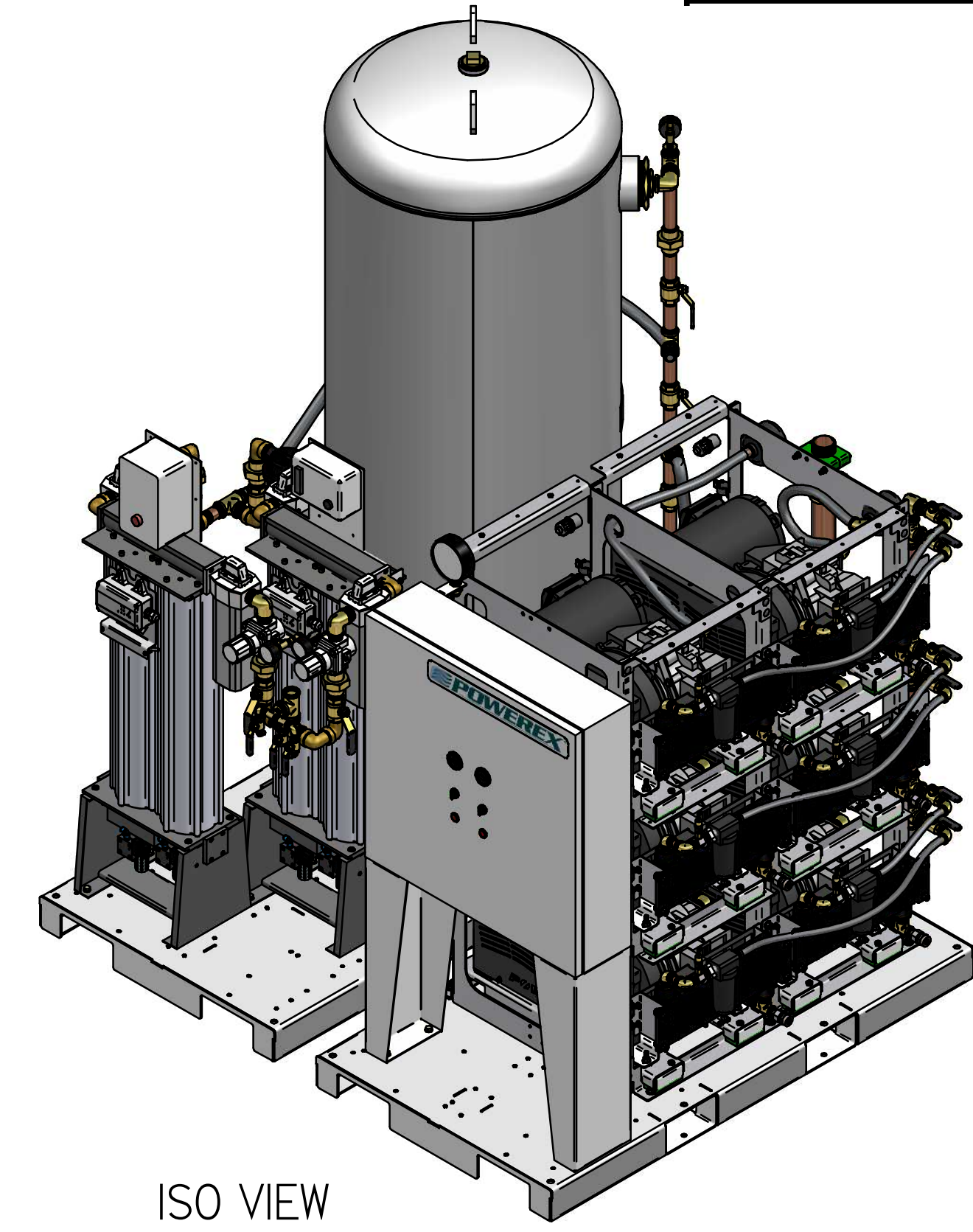
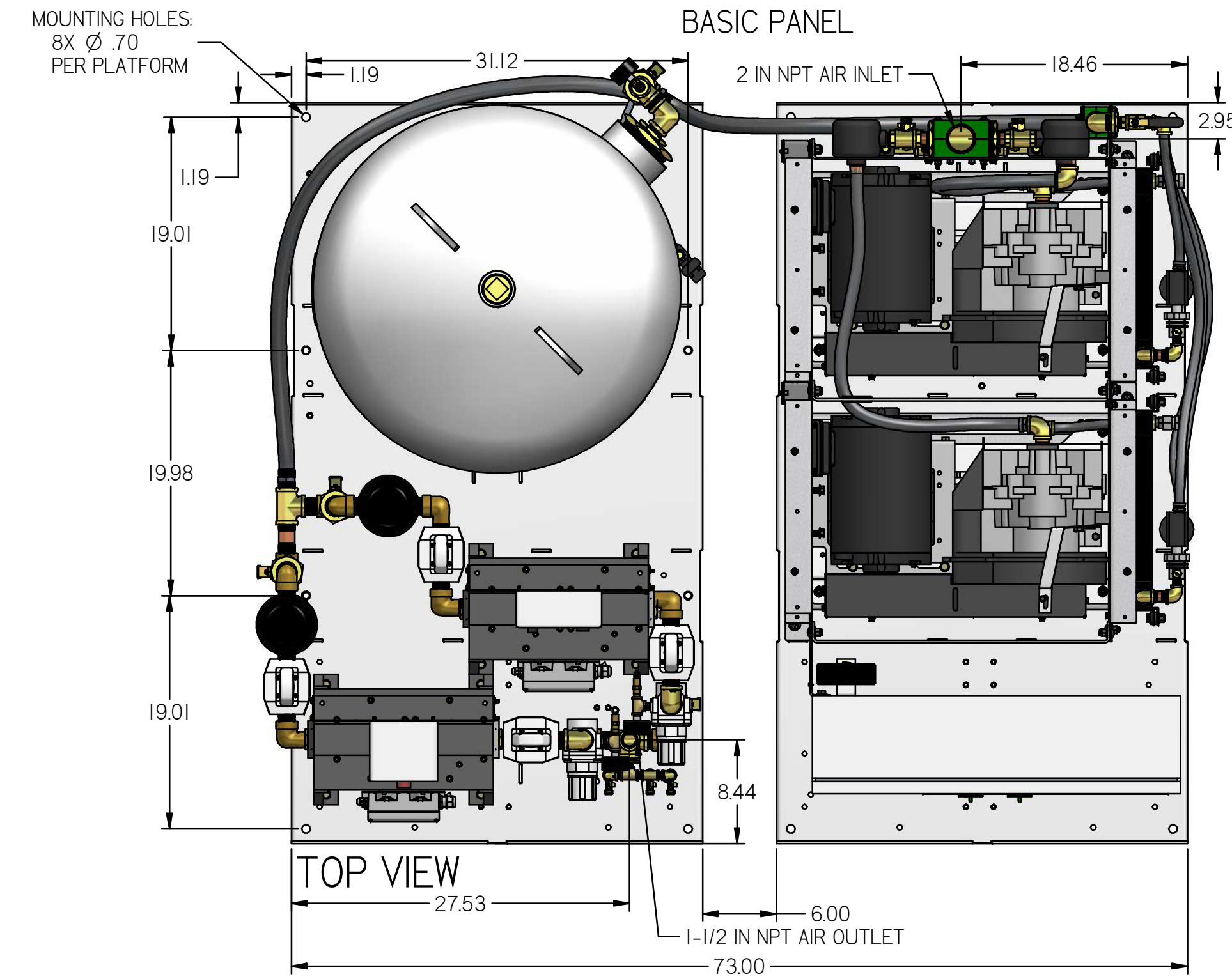
NOTES:  
1. APPROX SYSTEM WEIGHT: 3086 LB  
2. 24" MINIMUM MAINTENANCE CLEARANCE RECOMMENDED  
ALL SIDES. CLEARANCE FOR CONTROL PANELS SHALL BE IN  
ACCORDANCE WITH OSHA/NEC REQUIREMENTS

SYMBOL LEGEND		DRAWINGS TO CONFORM TO CURRENT REVISION OF THE FOLLOWING ANSI STANDARDS: Y14.3 MULTI AND SECTIONAL VIEW DIMS Y14.5 DIMENSIONING AND TOLERANCING	
TOLERANCES NOT SPECIFIED	SOLID EDGE DRAWING	DO NOT SCALE DRAWING FOR DIMENSIONS	
0.XXX ± .01	INCH	SHEET 1 OF 5	SCALE 1:10
0.XXX ± .005		APPROVALS ON FILE IN PLM	
CONFIDENTIAL DISCLOSURE This drawing is the property of POWEREX of the SCOTT FETTER COMPANY and is subject to return on demand. Its contents are confidential and must not be copied or submitted to outside parties for use or examination.		AUTHOR	ORIGINATION DATE
DRAWING NUMBER: 716304		ASoulek	10/30/2016
MATERIAL: SEE PART DRAWINGS			
DESCRIPTION: MEDICAL OPEN SCROLL 15HP DUPLEX WITH 240 GALLON TANK		DRAWING NUMBER: MSD15A6	REVISION: B
		SIZE: B	D

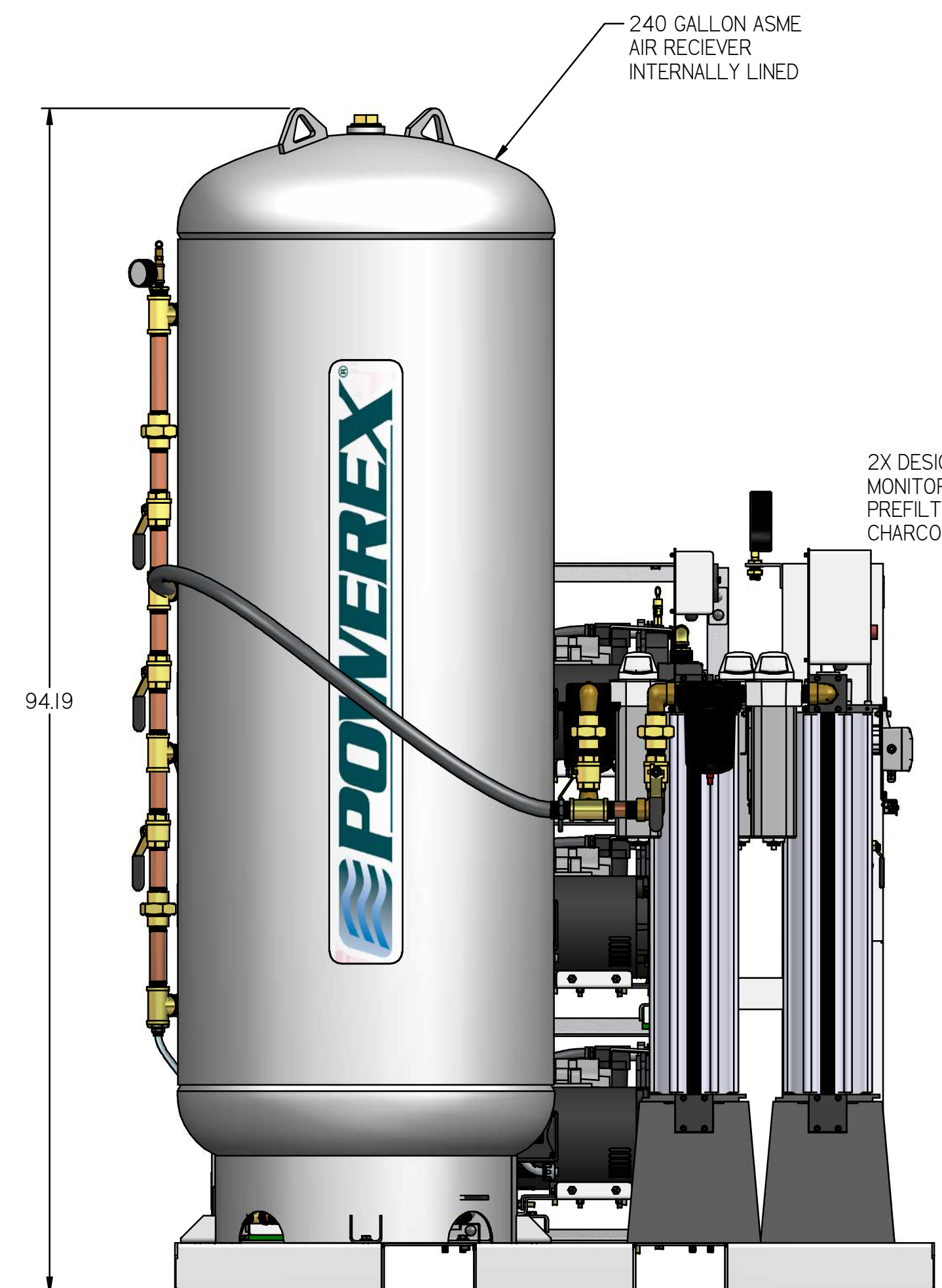
REVISION NOTES		
DESCRIPTION	ECN	PR/NOR
SE	PXECO169	N/A

# MSD15A6

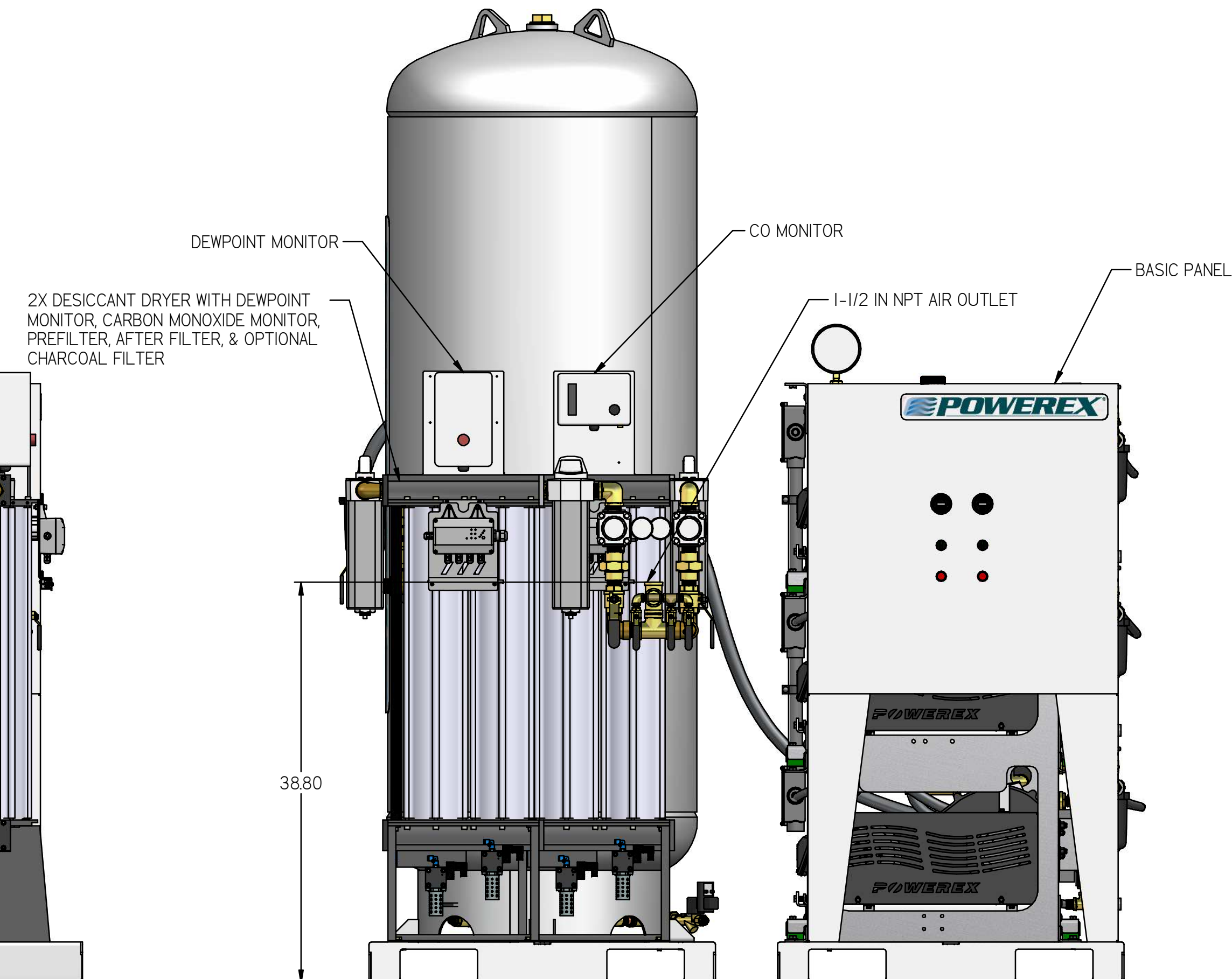
## MEDICAL OPEN SCROLL 15HP DUPLEX WITH 240 GALLON TANK



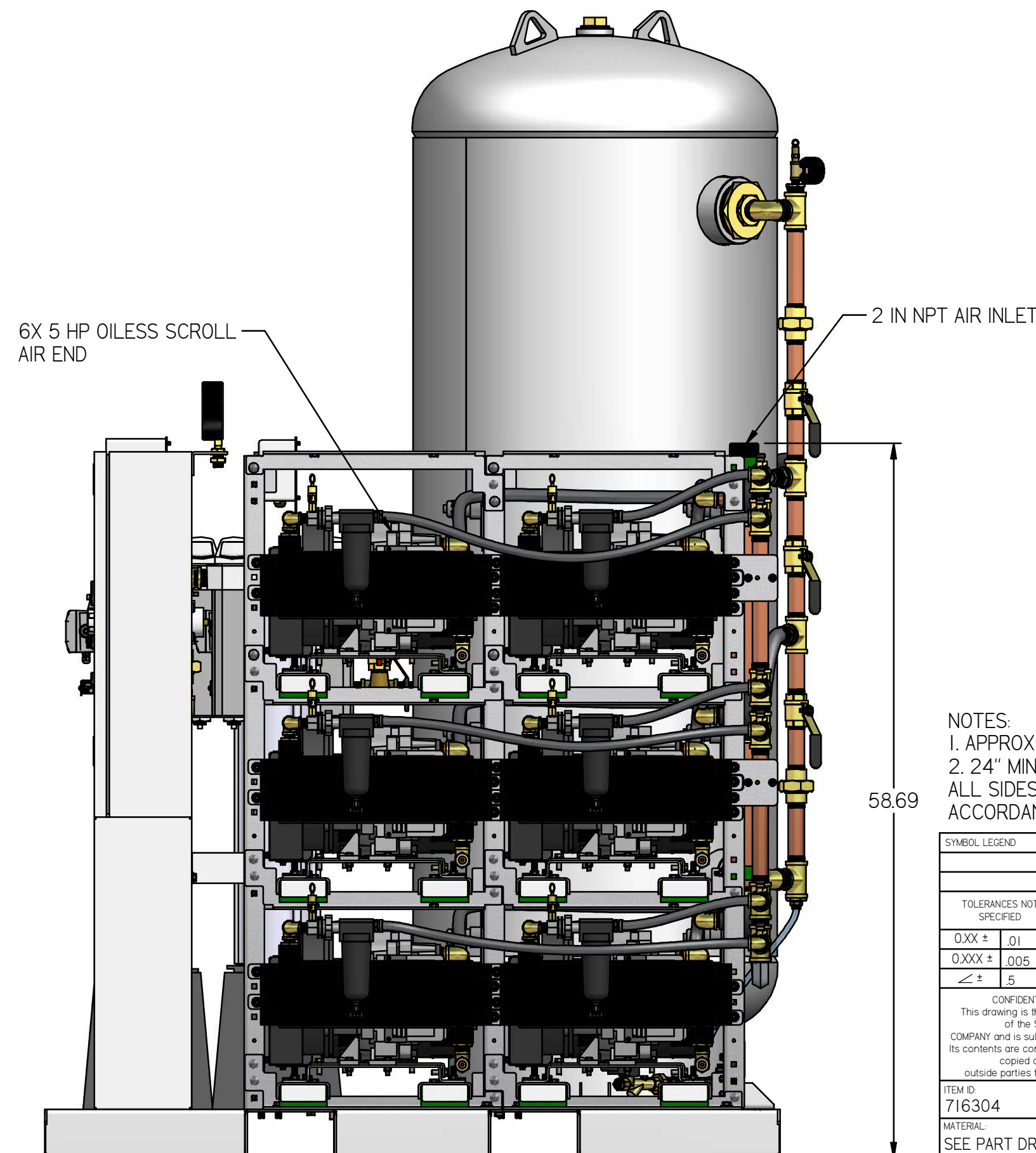
ISO VIEW



LEFT VIEW



FRONT VIEW



RIGHT VIEW

NOTES  
 1. APPROX SYSTEM WEIGHT: 3086 LB  
 2. 24" MINIMUM MAINTENANCE CLEARANCE RECOMMENDED  
 ALL SIDES. CLEARANCE FOR CONTROL PANEL SHALL BE IN ACCORDANCE WITH OSHA/NEC REQUIREMENTS

SYMBOL LEGEND		DRAWINGS TO CONFORM TO CURRENT REVISION OF THE FOLLOWING ANSI STANDARDS: Y14.3 MULTI AND SECTIONAL VIEW DWGS Y14.5 DIMENSIONING AND TOLERANCING	
TOLERANCES NOT SPECIFIED	SOLID EDGE DRAWING	DO NOT SCALE DRAWING FOR DIMENSIONS	
0.XXX ± .01	INCH	SHEET 2 OF 5	SCALE 1:10
0.XXX ± .005		APPROVALS ON FILE IN PLM	
CONFIDENTIAL DISCLOSURE This drawing is the property of POWEREX of the SCOTT FETTER COMPANY and is subject to return on demand. Its contents are confidential and must not be copied or submitted to outside parties for use or examination.		AUTHOR	ORIGINATION DATE
716304		ASoulek	10/30/2016
MATERIAL SEE PART DRAWINGS			
DESCRIPTION MEDICAL OPEN SCROLL 15HP DUPLEX WITH 240 GALLON TANK		DRAWING NUMBER MSD15A6	REVISION B
			D

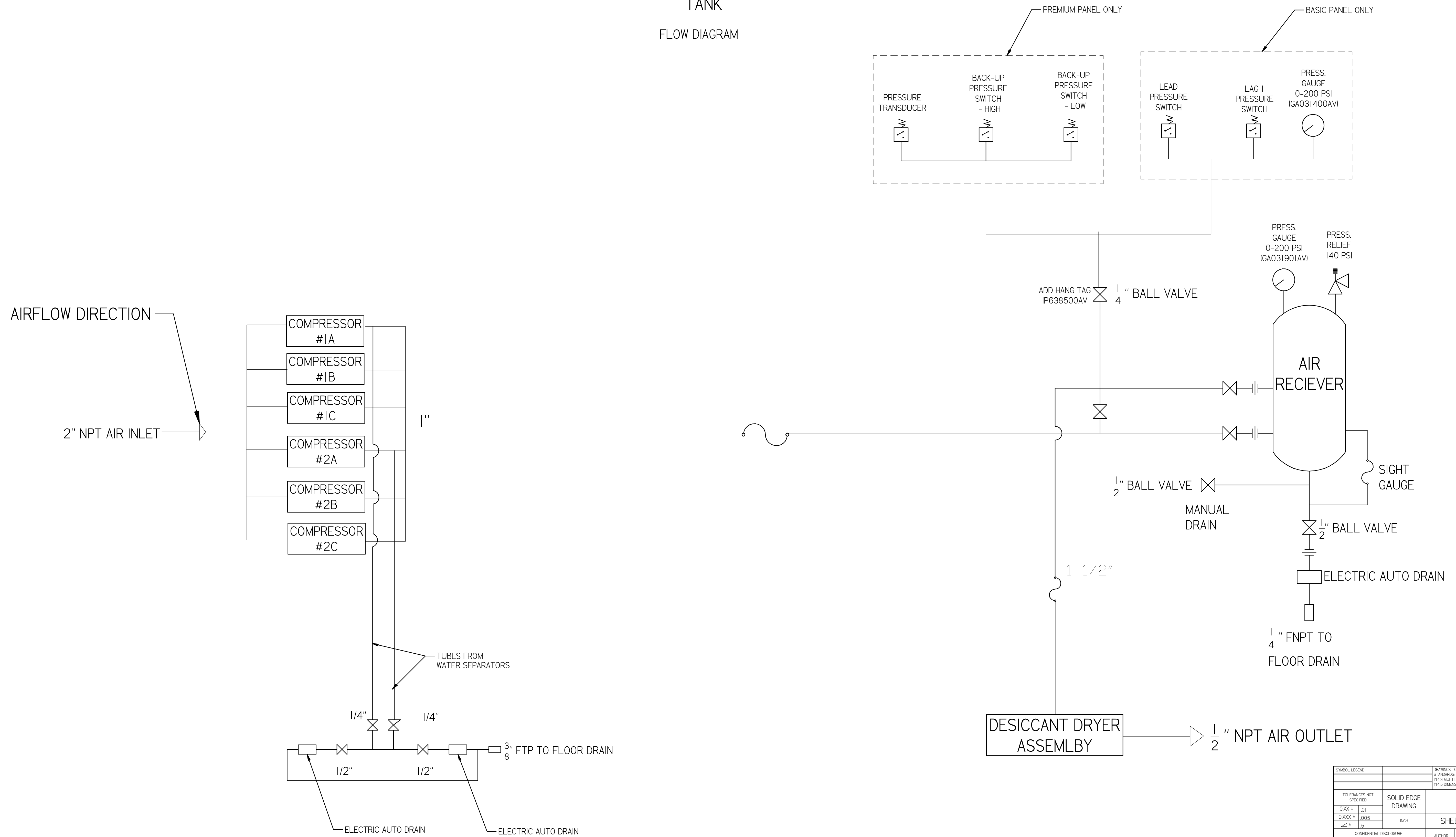


# MSD15A6

## MEDICAL OPEN SCROLL 15HP DUPLIX WITH 240 GALLON TANK

### FLOW DIAGRAM

REVISION NOTES		
DESCRIPTION	ECN	PR/NOR
PRODUCTION RELEASE	PXECO169	N/A

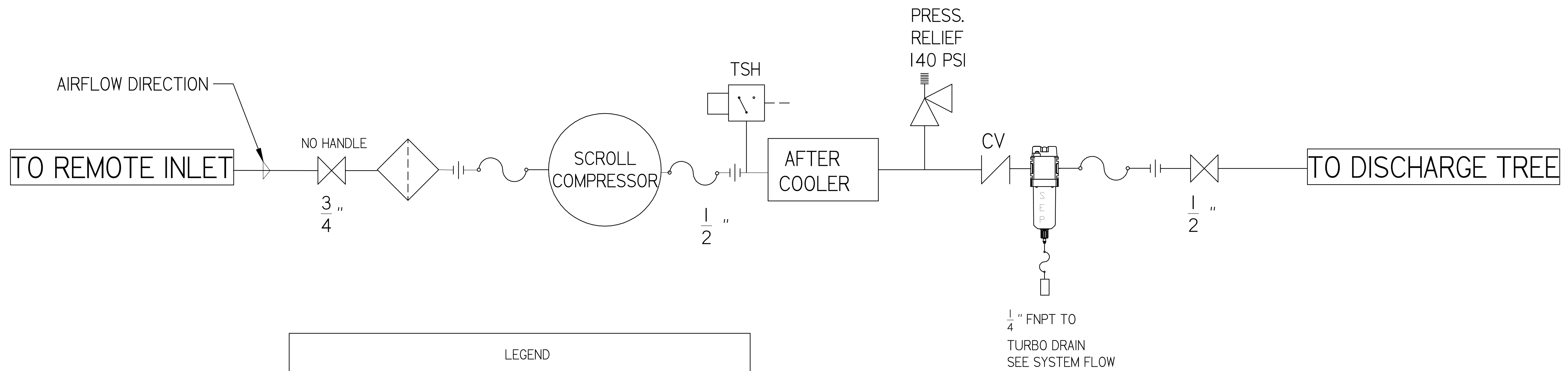


SYMBOL LEGEND		DRAWINGS TO CONFORM TO CURRENT REVISION OF THE FOLLOWING ANSI STANDARDS:	
TOLERANCES NOT SPECIFIED		Y14.3 MULTI AND SECTIONAL VIEW DIMS	
0.005 ± 0.01		Y14.5 DIMENSIONING AND TOLERANCING	
0.005 ± 0.005			
± 0.005			
SOLID EDGE DRAWING		DO NOT SCALE DRAWING FOR DIMENSIONS	
		SHEET 3 OF 5	
		SCALE 1:1	
<small>CONFIDENTIAL DISCLOSURE</small> <small>This drawing is the property of POWEREX or the SCOTT FETTER COMPANY and is subject to return on demand. Its contents are confidential and must not be copied or submitted to outside parties for use or examination.</small>		APPROVALS ON FILE IN PLM	
<small>FROM:</small> 716304		<small>AUTHOR:</small> ASoulek <small>ORIGINATION DATE:</small> 10/30/2016	
<small>MATERIAL:</small> SEE PART DRAWINGS			
<small>DESCRIPTION:</small> MEDICAL OPEN SCROLL 15HP DUPLIX WITH 240 GALLON TANK		<small>DRAWING NUMBER:</small> MSD15A6 <small>REVISION:</small> B <small>SIZE:</small> D	

REVISION NOTES		
DESCRIPTION	ECN	PR/NOR
PRODUCTION RELEASE	PXECO169	N/A

# MSDI5A6

MEDICAL OPEN SCROLL 15HP  
 DUPLEX WITH 240 GALLON  
 TANK  
 MEDICAL COMPRESSOR  
 FLOW DIAGRAM



LEGEND	
	RELIEF VALVE
	INTAKE FILTER
	AIR FILTER
	3 WAY VALVE
	CARBON FILTER
	BALL VALVE
	PRESSURE SWITCH
	REGULATOR
	SEPARATOR
	CHECK VALVE
	FLEX LINE
	TSH HIGH TEMP SWITCH

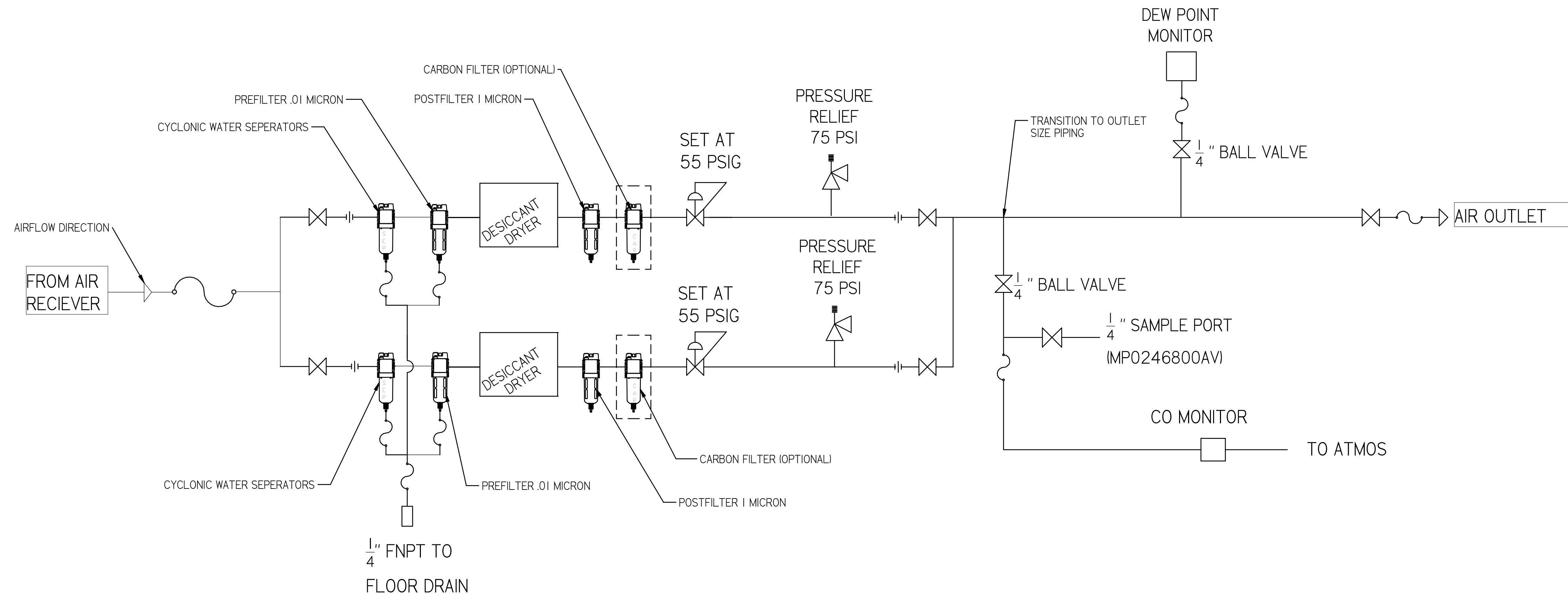
SYMBOL LEGEND		DRAWINGS TO CONFORM TO CURRENT REVISION OF THE FOLLOWING ANSI STANDARDS:	
		Y14.3 MULTI AND SECTIONAL VIEW DWGS	
		Y14.5 DIMENSIONING AND TOLERANCING	
TOLERANCES NOT SPECIFIED	SOLID EDGE DRAWING	DO NOT SCALE DRAWING FOR DIMENSIONS	
0.001 ± .01	INCH	SHEET 4 OF 5	SCALE 1:1
0.0005 ± .005			
CONFIDENTIAL DISCLOSURE This drawing is the property of POWEREX of the SCOTT FETTER COMPANY and is subject to return on demand. Its contents are confidential and must not be copied or submitted to outside parties for use or examination.		AUTHOR	APPROVALS ON FILE IN PLM
DRAWN BY: 716304		ASoulek	10/30/2016
MATERIAL: SEE PART DRAWINGS			
DESCRIPTION: MEDICAL OPEN SCROLL 15HP DUPLEX WITH 240 GALLON TANK		DRAWING NUMBER: MSDI5A6	REVISION: B
		SIZE: D	



REVISION NOTES		
DESCRIPTION	ECN	PR/NOR
PRODUCTION RELEASE	PXECO169	N/A

# MSDI5A6

MEDICAL OPEN SCROLL 15HP  
 DUPLEX WITH 240 GALLON  
 TANK  
 MEDICAL DRYER  
 FLOW DIAGRAM



PIPE SIZE CHART		
PUMP COUNT	DRYER PLUMBING SIZE	OUTLET PIPE SIZE
2	1/2"	1/2"
3	1/2"	1"
4	1/2"	1"
6	1"	1-1/2"
8	1"	1-1/2"
9	1"	1-1/2"
12	1-1/2"	2"
15	1-1/2"	2"
18	1-1/2"	2"

SYMBOL LEGEND		DRAWINGS TO CONFORM TO CURRENT REVISION OF THE FOLLOWING ANSI STANDARDS: Y14.3 MULTI AND SECTIONAL VIEW DWGS Y14.5 DIMENSIONING AND TOLERANCING		
TOLERANCES NOT SPECIFIED	SOLID EDGE DRAWING	DO NOT SCALE DRAWING FOR DIMENSIONS		
0.XXX ± .01		SHEET 5 OF 5	SCALE 1:1	
0.XXX ± .005				
± .5	INCH			
<small>CONFIDENTIAL DISCLOSURE</small> This drawing is the property of POWEREX or the SCOTT FETTER COMPANY and is subject to return on demand. Its contents are confidential and must not be copied or submitted to outside parties for use or examination.		AUTHOR	ORIGINATION DATE	APPROVALS ON FILE IN PLM
<small>FROM FILE</small> 716304		ASoulek	10/30/2016	
<small>MATERIAL</small> SEE PART DRAWINGS				
<small>DESCRIPTION</small> MEDICAL OPEN SCROLL 15HP DUPLEX WITH 240 GALLON TANK		<small>DRAWING NUMBER</small> MSDI5A6	<small>REVISION</small> B	<small>SIZE</small> D

