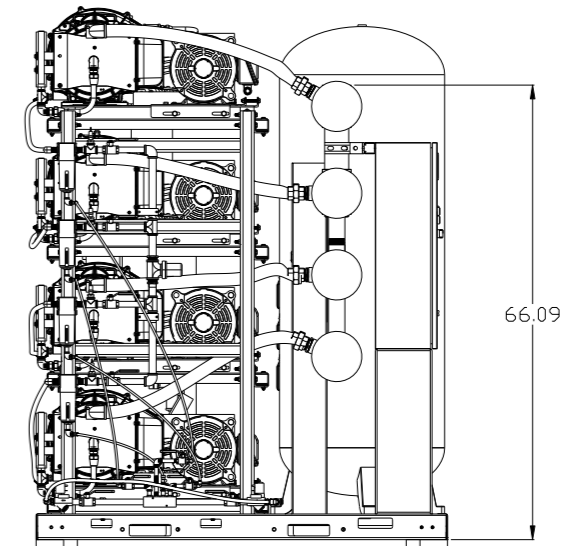
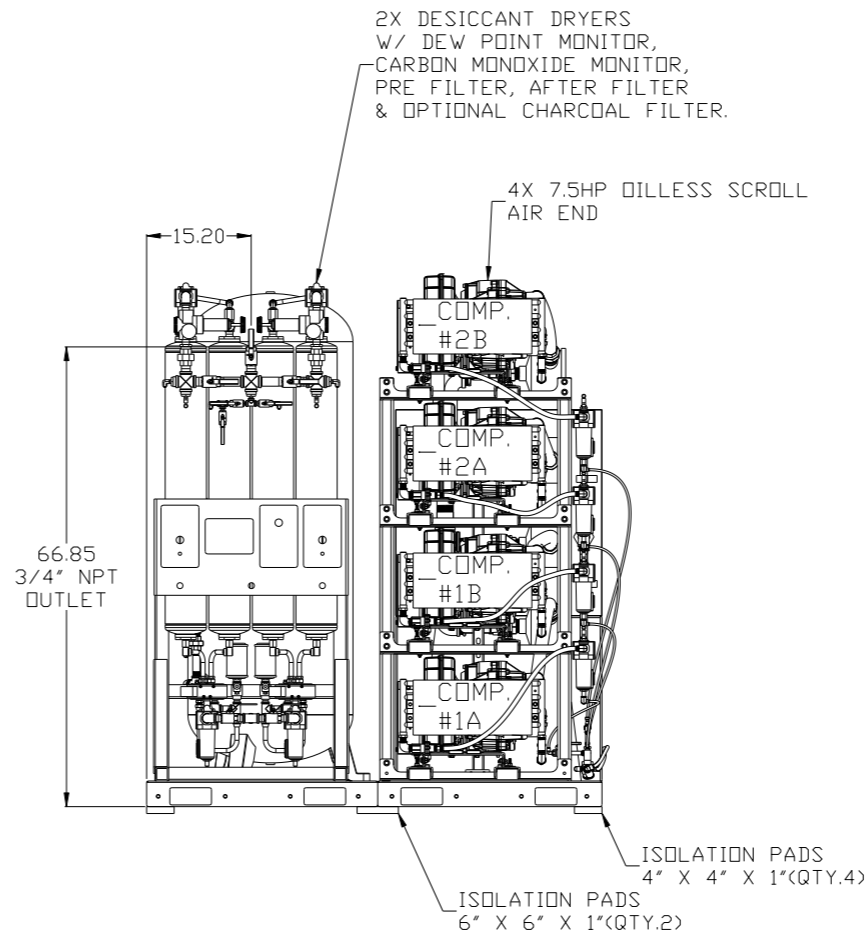
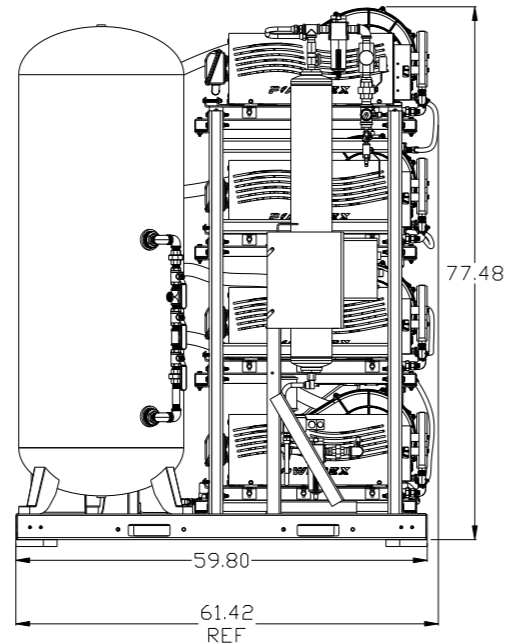
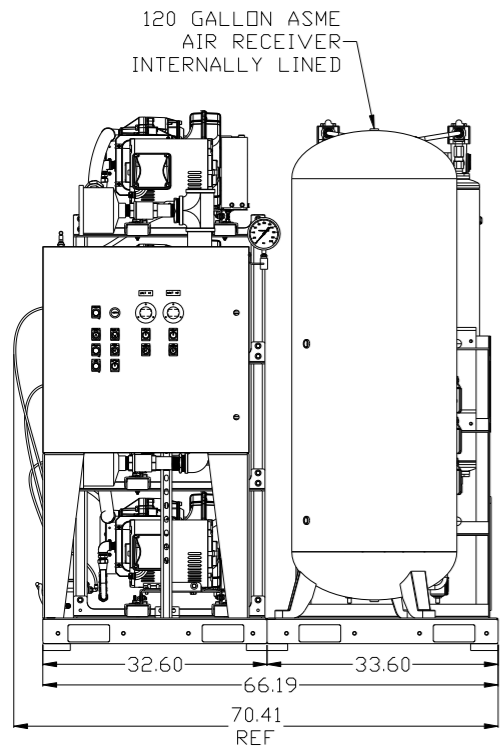
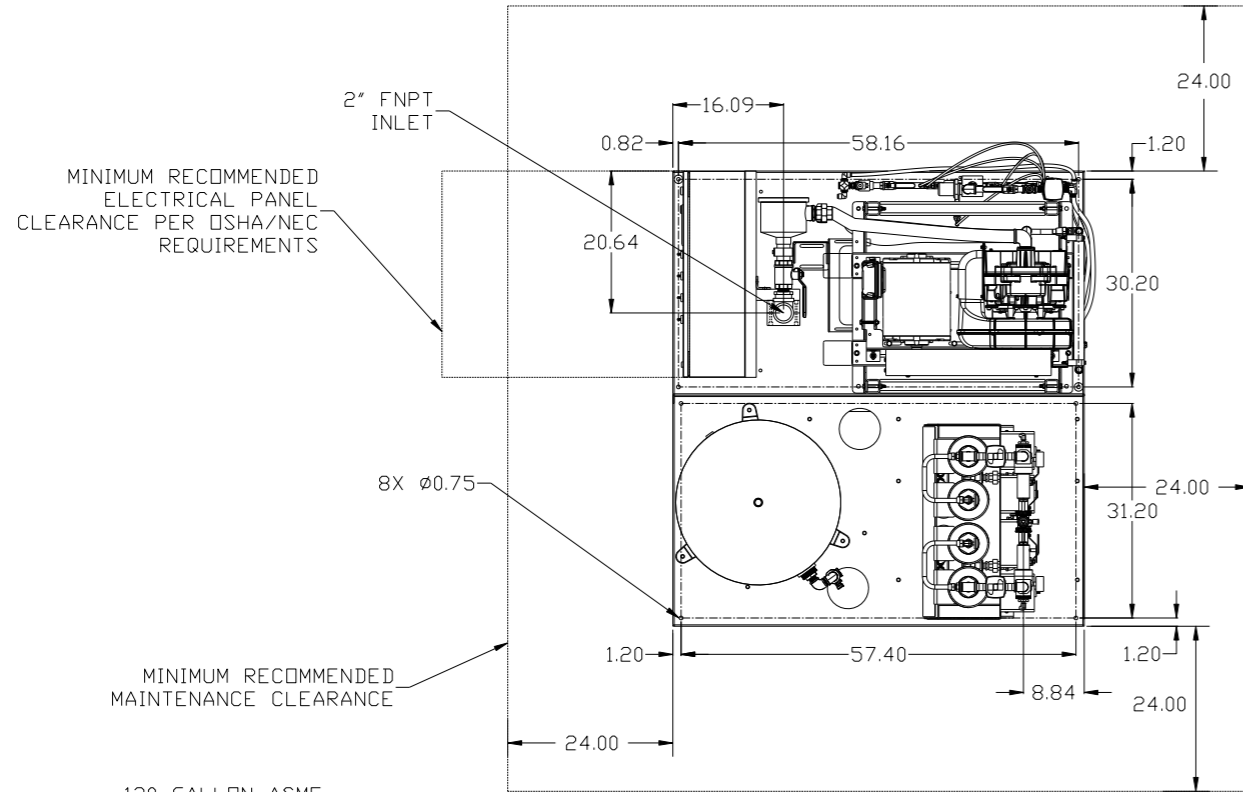


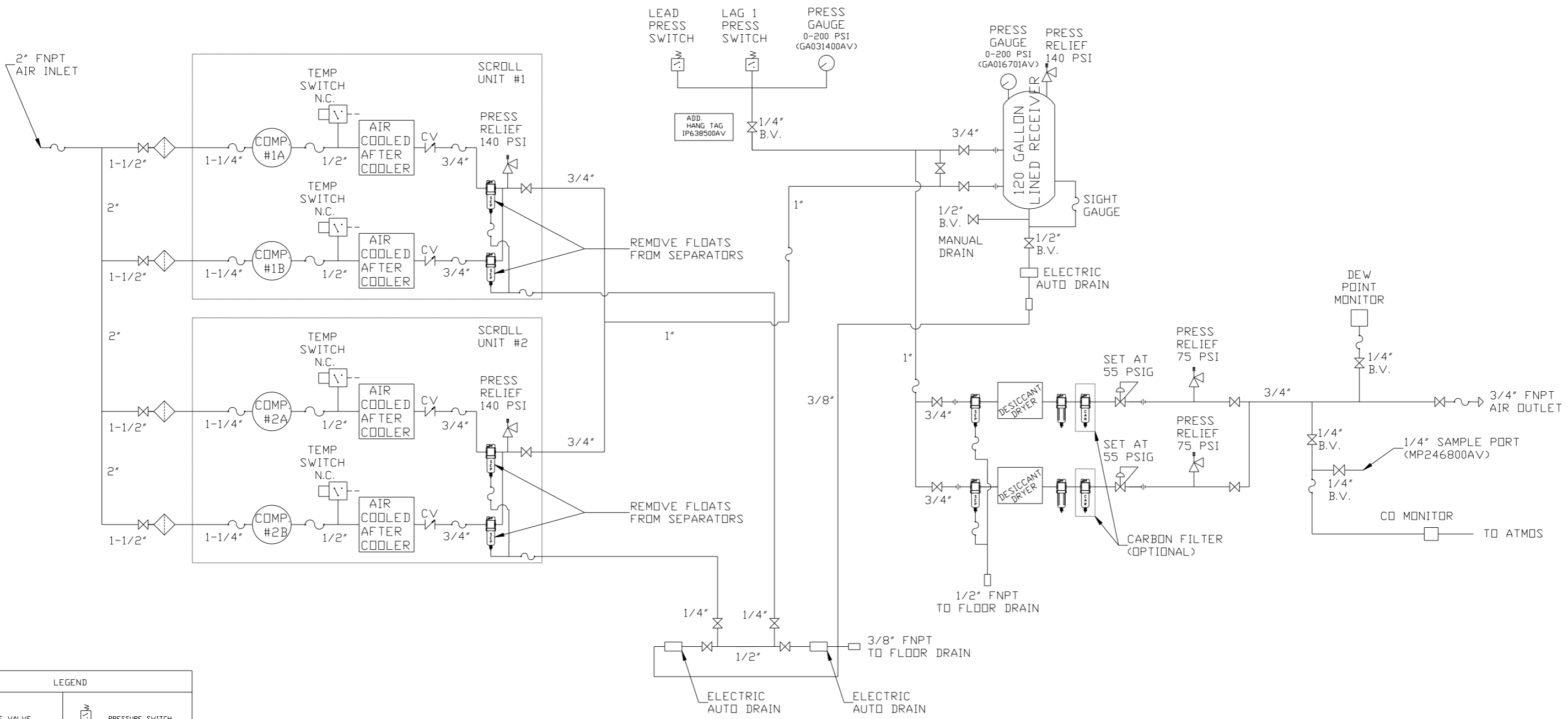
REV	ZONE	REVISION	DATE	ECN	NAME	CHKD
B-1	ALL	RELEASE TO PRODUCTION	2/23/15	PXEC0057	AEK	DMS
C-1	ALL	WAVE 1 REDESIGN	4/14/15	PXEC0057	JBE	AEK
D-1	ALL	UPDATED TO CURRENT PRODUCTION STANDARDS	6/22/16	PXEC0139	AEK	GES
E-1	2 ALL 2 ALL 1 ALL 1 ALL 1 ALL	CORRECTED SEPARATOR BRAIN LINES TO 1/4" ADDED NOTE TO REMOVE SEPARATOR FLOAT CORRECTED VIEW POSITIONING ADDED OVERALL DIMENSIONS ADDED OUTLINE FOR RECOMMENDED CLEARANCES UPDATED INLET TREE	01/11/17	PXEC0167	MJD	GES



NOTE: SYSTEM DESIGNED IN COMPLIANCE WITH US NFPA'99, LATEST EDITION.

SYMBOL LEGEND ⊖ = MINUS DRAFT ⊕ = PLUS DRAFT TOLERANCES NOT SPECIFIED .XX ± .XXX ± \angle(DEG.) ±		= ADDITIONAL CONTROL REQ'D = BRINELL HARDNESS	Drawings to conform to the current revision of the following ANSI standards: Y14.3 Multi and sectional view dsgs. Y14.5M Dimensioning and tolerancing
AUTOCAD REL2000: INCH		DO NOT SCALE DRAWING FOR DIMENSIONS Sheet 1 of 2 SCALE: 1:14	
CONFIDENTIAL DISCLOSURE This drawing is the property of POWEREX, INC. of the SCOTT FELTZER COMPANY and subject to return on demand. Its contents are confidential and must not be copied or submitted to outside parties for use or examination.			
DRAWN BY JBE	CHECKED BY AEK	APPROVED BY ENGINEERING JA	MFG/MKTG CT
MATERIAL N/A		POWEREX 150 PRODUCTION DRIVE, HARRISON, OHIO 45030 Ph: 888-769-7979 FAX: (513) 367-3125	
PART NAME DUPLEX OILLESS SCROLL 15HP, 120GAL. BASEMOUNT DUPLEX DESICCANT		DWG NO MSD15B4	SIZE D

REV	ZONE	REVISION	DATE	ECN	NAME	CHKD
B-1	ALL	RELEASE TO PRODUCTION	2/23/15	PKEC0057	JBE	AEK
C-1	ALL	WAVE 1 REDESIGN	4/14/15	PKEC0057	JBE	AEK
D-1	ALL	UPDATED TO CURRENT PRODUCTION STANDARDS	6/22/16	PKEC0139	AEK	GES
E-1	2 ALL	CORRECTED SEPARATOR DRAIN LINES TO 1/4"				
	1 ALL	ADDED NOTE TO REMOVE SEPARATOR FLOAT				
	1 ALL	CORRECTED VIEW POSITIONING	01/11/17	PKEC0167	MJD	GES
	1 ALL	ADDED OVERALL DIMENSIONS				
	1 ALL	ADDED OUTLINE FOR RECOMMENDED CLEARANCES				
	1 ALL	UPDATED INLET TREE				



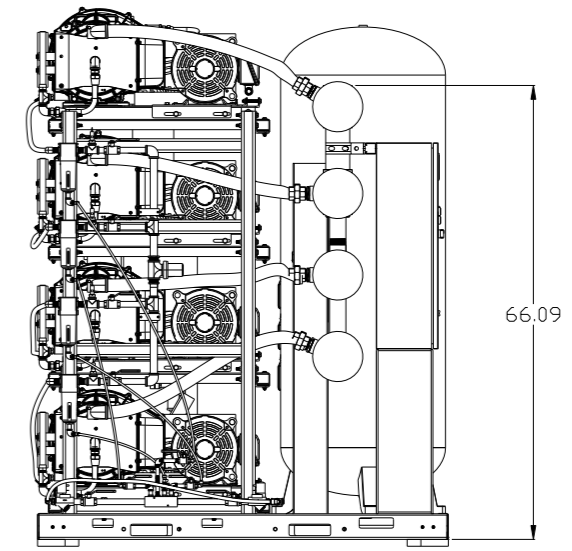
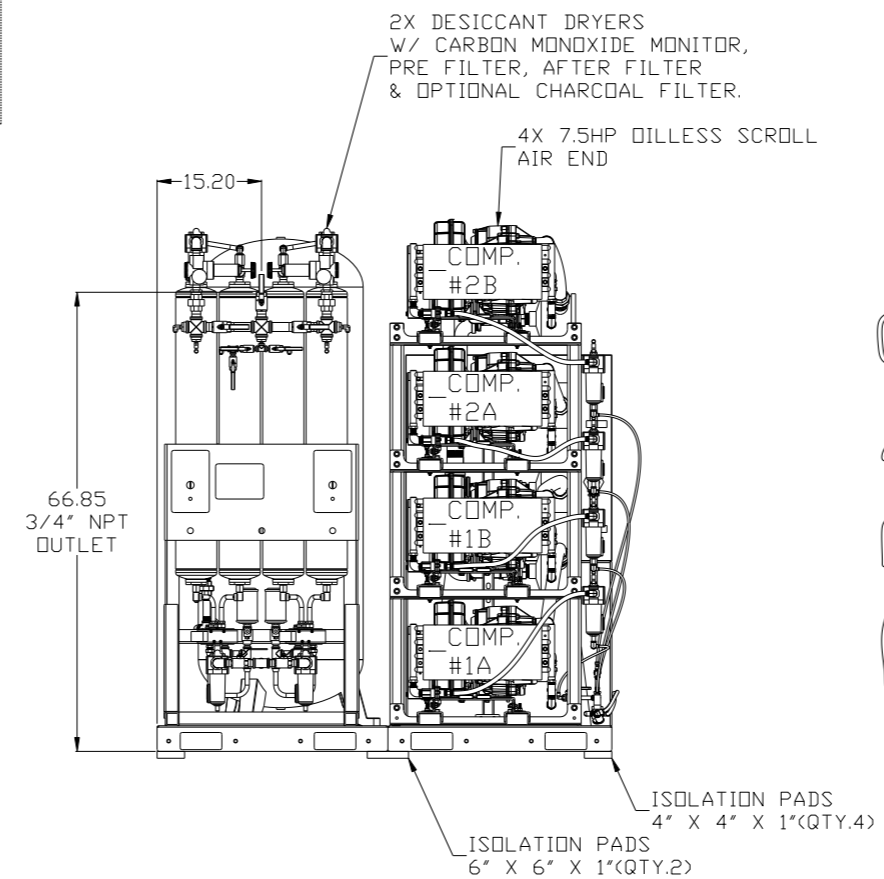
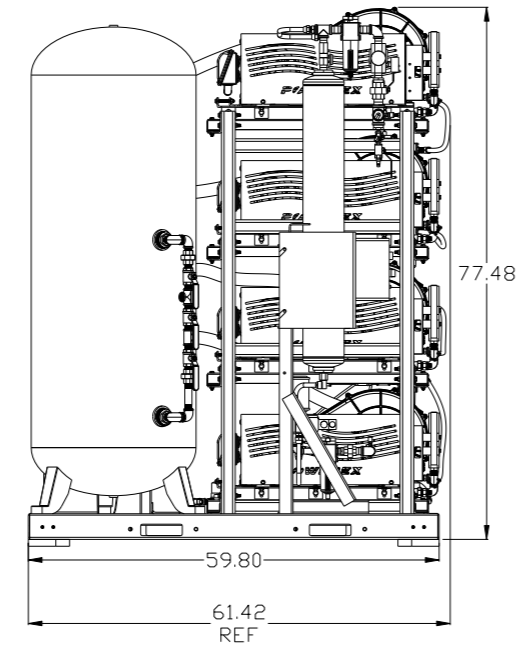
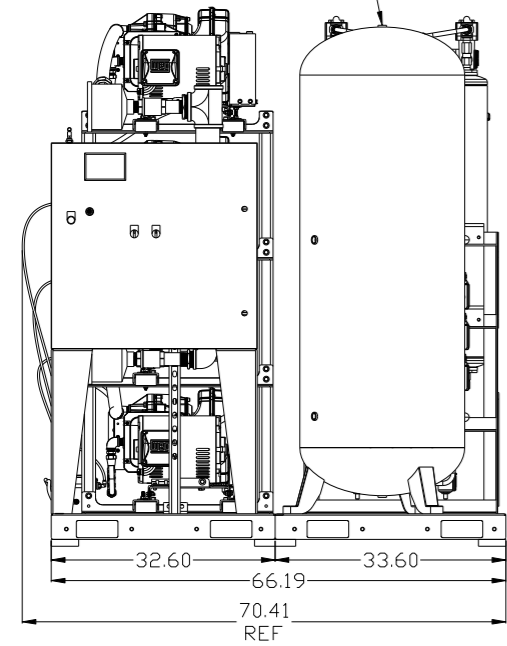
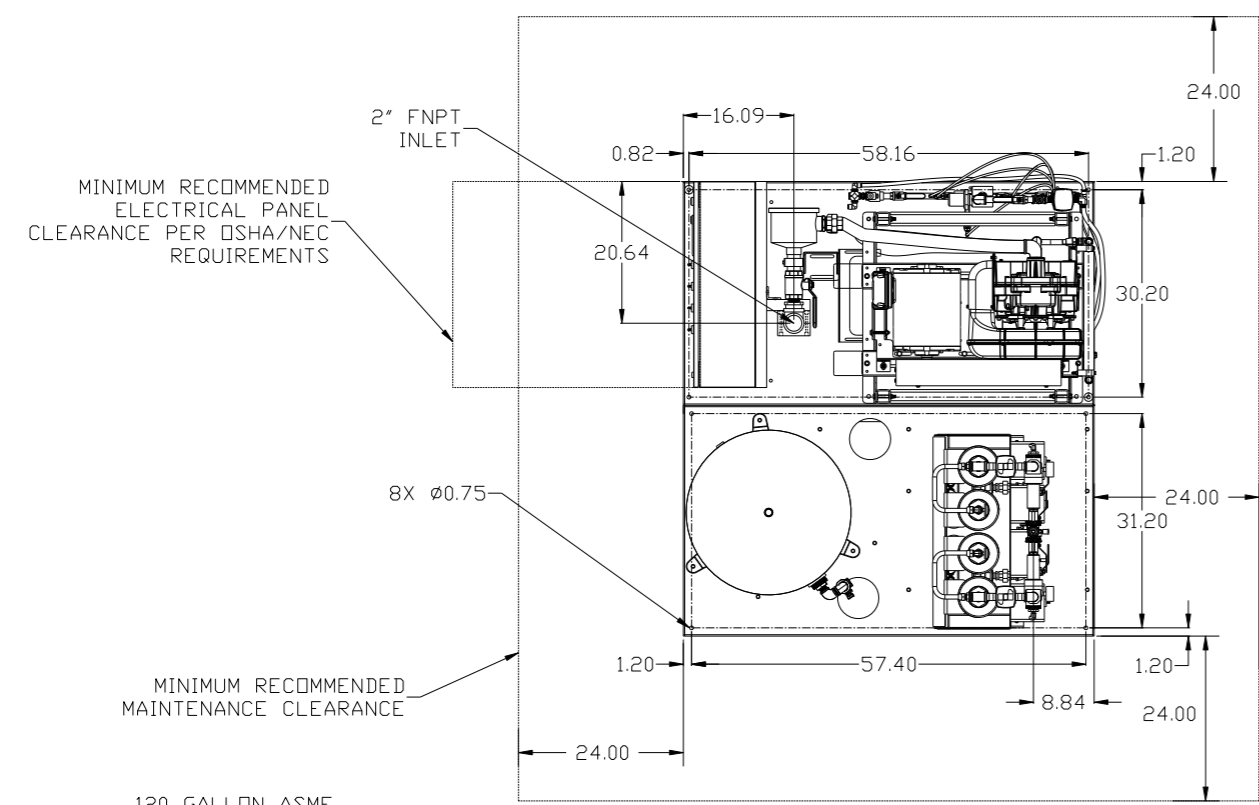
LEGEND	
	RELIEF VALVE
	INTAKE FILTER
	AIR FILTER
	3 WAY VALVE
	CARBON FILTER
	BALL VALVE
	PRESSURE SWITCH
	REGULATOR
	SEPARATOR
	CHECK VALVE
	FLEX LINE
	HIGH TEMP SWITCH
	UNION

NOTES:
 1) IF LAG 1 COMPRESSOR IS ENERGIZED, ALARM WILL OCCUR.
 2) PIPING TO THE INLET BY OTHERS AND TO BE PER NFPA99 4-3.1.19(b)
 3) INSTRUMENTS DOWN STREAM OF SOURCE VALVE TO BE SUPPLIED BY OTHERS.

SYMBOL LEGEND		= ADDITIONAL CONTROL REQ'D		Drawings to conform to the current revision of the following ANSI standards	
⊖	MINUS DRAFT	⊕	PLUS DRAFT	⊖	BRINELL HARDNESS
TOLERANCES NOT SPECIFIED		AUTOCAD REL2000:		DO NOT SCALE DRAWING FOR DIMENSIONS	
.xx	±	INCH		Sheet 2 of 2	SCALE 1:14
CONFIDENTIAL DISCLOSURE					
This drawing is the property of POWEREX, INC. of the SCOTT FETZER COMPANY and subject to return on demand. Its contents are confidential and must not be copied or submitted to outside parties for use or examination.					
DRAWN BY	CHECKED BY	APPROVED BY	DATE	DATE	DATE
JBE	AEK	JA	2/23/15	2/23/15	2/23/15
MATERIAL N/A					
PART NAME			15HP SCROLL DUPLEX FLOW SCHEMATIC		
DWG NO			MSD15B4		
SIZE			D		



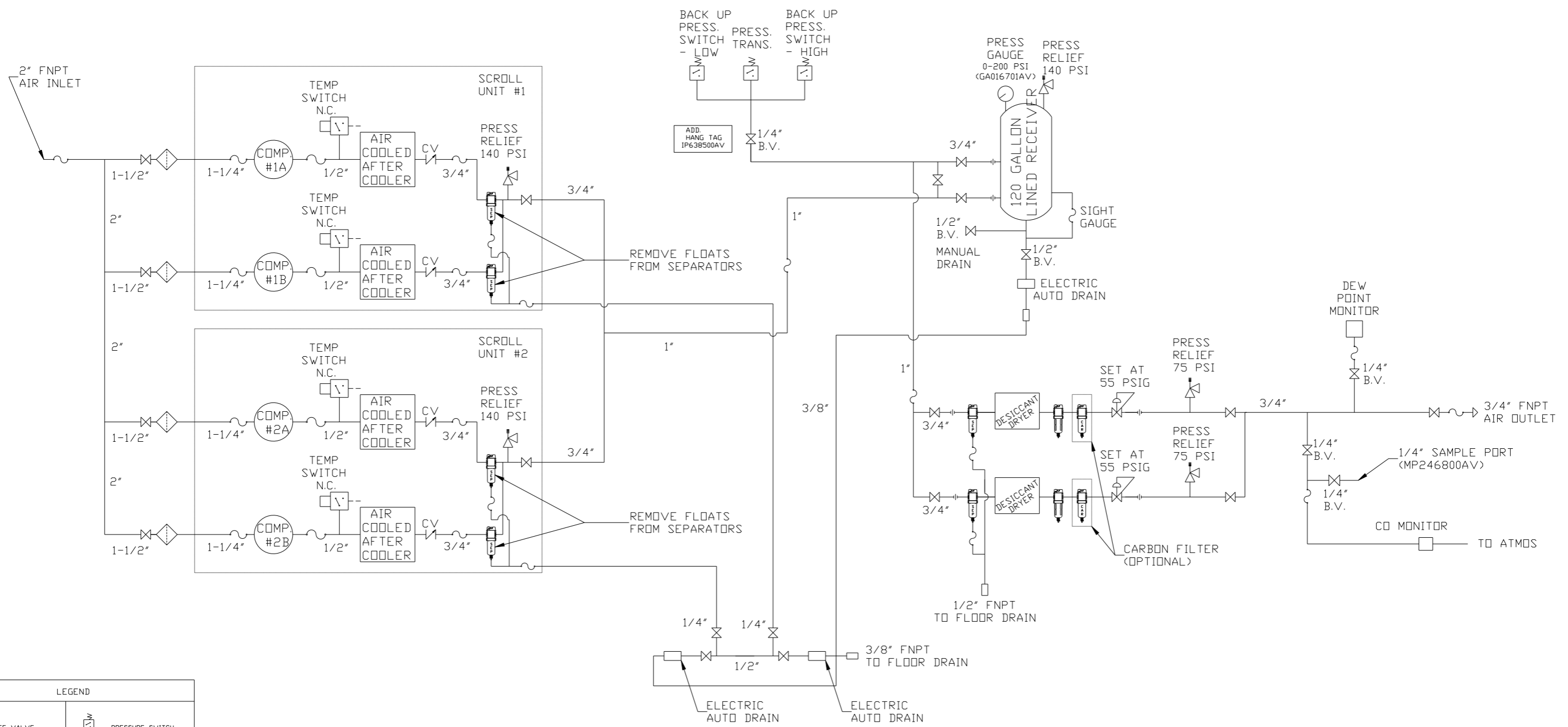
REV	ZONE	REVISION	DATE	ECN	NAME	CHKD
B-1	ALL	RELEASE TO PRODUCTION	2/23/15	PXEC0057	AEK	DMS
C-1	ALL	WAVE 1 REDESIGN	4/14/15	PXEC0057	JBE	AEK
D-1	ALL	UPDATED TO CURRENT PRODUCTION STANDARDS	6/22/16	PXEC0139	AEK	GES
E-1	2 ALL	CORRECTED SEPARATOR DRAIN LINES TO 1/4"				
	2 ALL	ADDED NOTE TO REMOVE SEPARATOR FLGAT				
	1 ALL	CORRECTED VIEW POSITIONING	01/11/17	PXEC0167	MJD	GES
	1 ALL	ADDED OVERALL DIMENSIONS				
	1 ALL	ADDED OUTLINE FOR RECOMMENDED CLEARANCES				
	1 ALL	UPDATED INLET TREE				



NOTE: SYSTEM DESIGNED IN COMPLIANCE WITH US NFPA'99, LATEST EDITION.

SYMBOL LEGEND ⊖ = MINUS DRAFT ⊕ = PLUS DRAFT TOLERANCES NOT SPECIFIED: .XX ±, .XXX ±, \angle(DEG.) ±		ADDITIONAL CONTROL REQ'D BRINELL HARDNESS		Drawings to conform to the current revision of the following ANSI standards: Y14.3 Multi and sectional view dsgs Y14.5M Dimensioning and tolerancing	
AUTOCAD REL2000i INCH		DO NOT SCALE DRAWING FOR DIMENSIONS Sheet 1 of 2 SCALE 1:14		CONFIDENTIAL DISCLOSURE This drawing is the property of POWEREX, Inc. of the SCOTT FELTZER COMPANY and subject to return on demand. Its contents are confidential and must not be copied or submitted to outside parties for use or examination.	
DRAWN BY: JBE CHECKED BY: AEK DATE: 2/23/15		APPROVED BY: JA DATE: 2/23/15		APPROVED BY: CT DATE: 2/23/15	
MATERIAL: N/A				PART NAME: DUPLEX OILLESS SCROLL 15HP, 120GAL. BASEMOUNT PXMI DUPLEX DESICCANT	
DWG NO: MSD15B4		SIZE: D		MSD15B.dwg	

REV	ZONE	REVISION	DATE	ECN	NAME	CHKD
B-1	ALL	RELEASE TO PRODUCTION	2/23/15	PXEC0057	JBE	AEK
C-1	ALL	WAVE 1 REDESIGN	4/14/15	PXEC0057	JBE	AEK
D-1	ALL	UPDATED TO CURRENT PRODUCTION STANDARDS	6/22/16	PXEC0139	AEK	GES
E-1	2 ALL	CORRECTED SEPARATOR DRAIN LINES TO 1/4"	01/11/17	PXEC0167	MJD	GES
	1 ALL	ADDED NOTE TO REMOVE SEPARATOR FLDAT				
	1 ALL	CORRECTED VIEW POSITIONING				
	1 ALL	ADDED OUTLINE FOR RECOMMENDED CLEARANCES				
	1 ALL	UPDATED INLET TREE				



LEGEND	
	RELIEF VALVE
	INTAKE FILTER
	AIR FILTER
	3 WAY VALVE
	CARBON FILTER
	BALL VALVE
	PRESSURE SWITCH
	REGULATOR
	SEPARATOR
	CHECK VALVE
	FLEX LINE
	HIGH TEMP SWITCH
	UNION

NOTES:
 1) IF LAG 1 COMPRESSOR IS ENERGIZED, ALARM WILL OCCUR.
 2) PIPING TO THE INLET BY OTHERS AND TO BE PER NFPA99 4-3.1.1.9(b)
 3) INSTRUMENTS DOWN STREAM OF SOURCE VALVE TO BE SUPPLIED BY OTHERS.

SYMBOL LEGEND		ADDITIONAL CONTROL REQ'D		Drawings to conform to the current revision of the following ANSI standards:	
	= MINUS DRAFT		= BRINELL HARDNESS	Y14.3 Multi and sectional view dsgs Y14.5M Dimensioning and tolerancing	
TOLERANCES NOT SPECIFIED		DO NOT SCALE DRAWING FOR DIMENSIONS		Sheet 2 of 2	
AUTOCAD REL2000		INCH		SCALE 1:14	
CONFIDENTIAL DISCLOSURE		DRAWN BY		CHECKED BY	
This drawing is the property of POWEREX, INC. of the SCOTT FEJZER COMPANY and subject to return on demand. Its contents are confidential and must not be copied or submitted to outside parties for use or examination.		JBE		AEK	
		2/23/15		2/23/15	
MATERIAL		APPROVED BY		MFG/MRKTG	
N/A		JA		CT	
PART NAME		15HP SCROLL DUPLEX FLOW SCHEMATIC		DATE	
				2/23/15	
DWG NO		MSD15B4		SIZE	
				D	