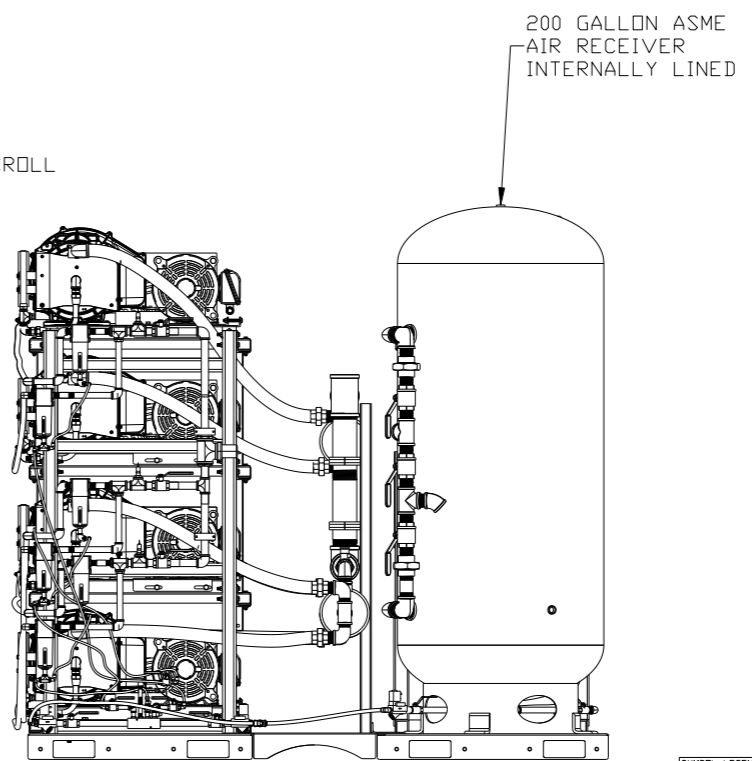
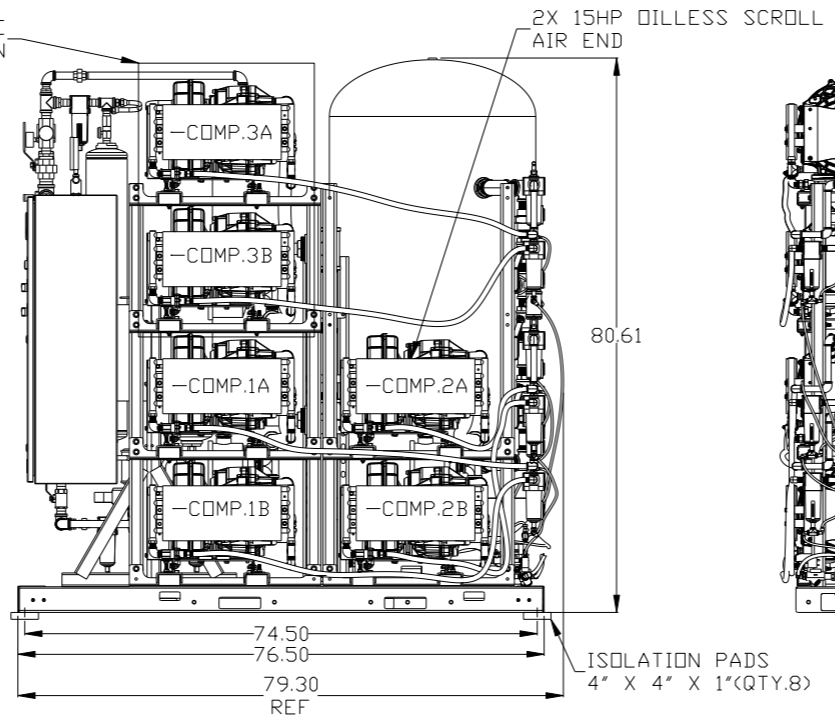
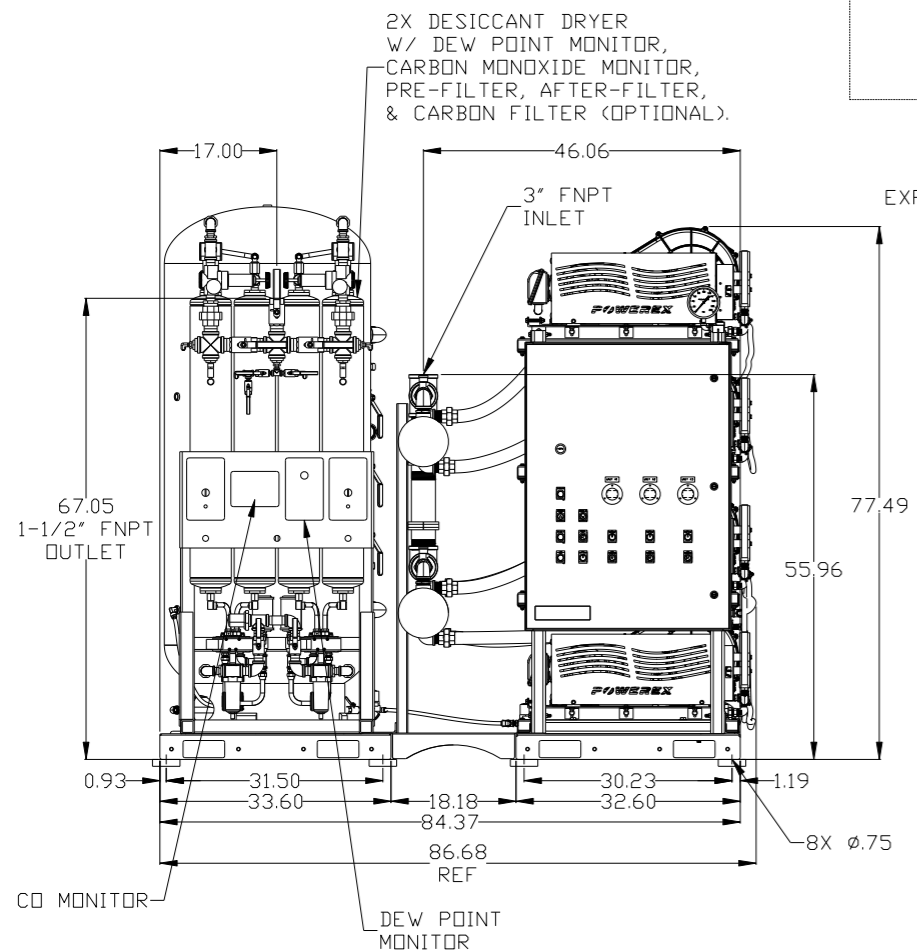
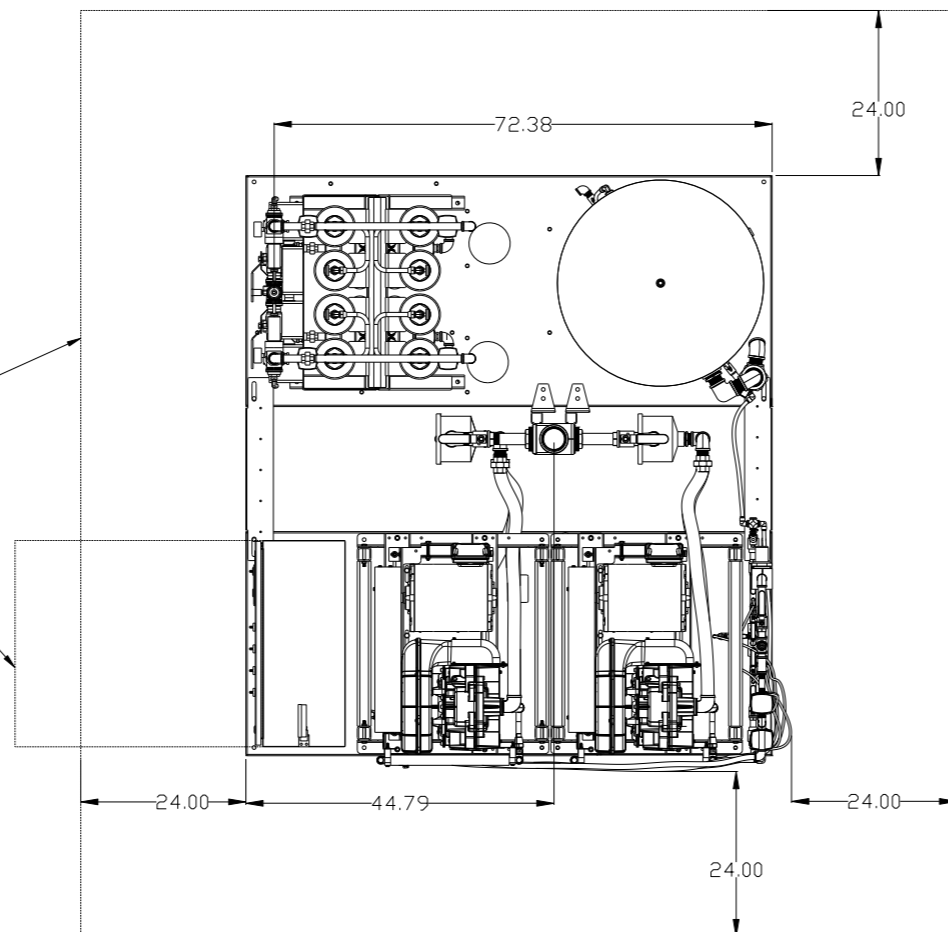


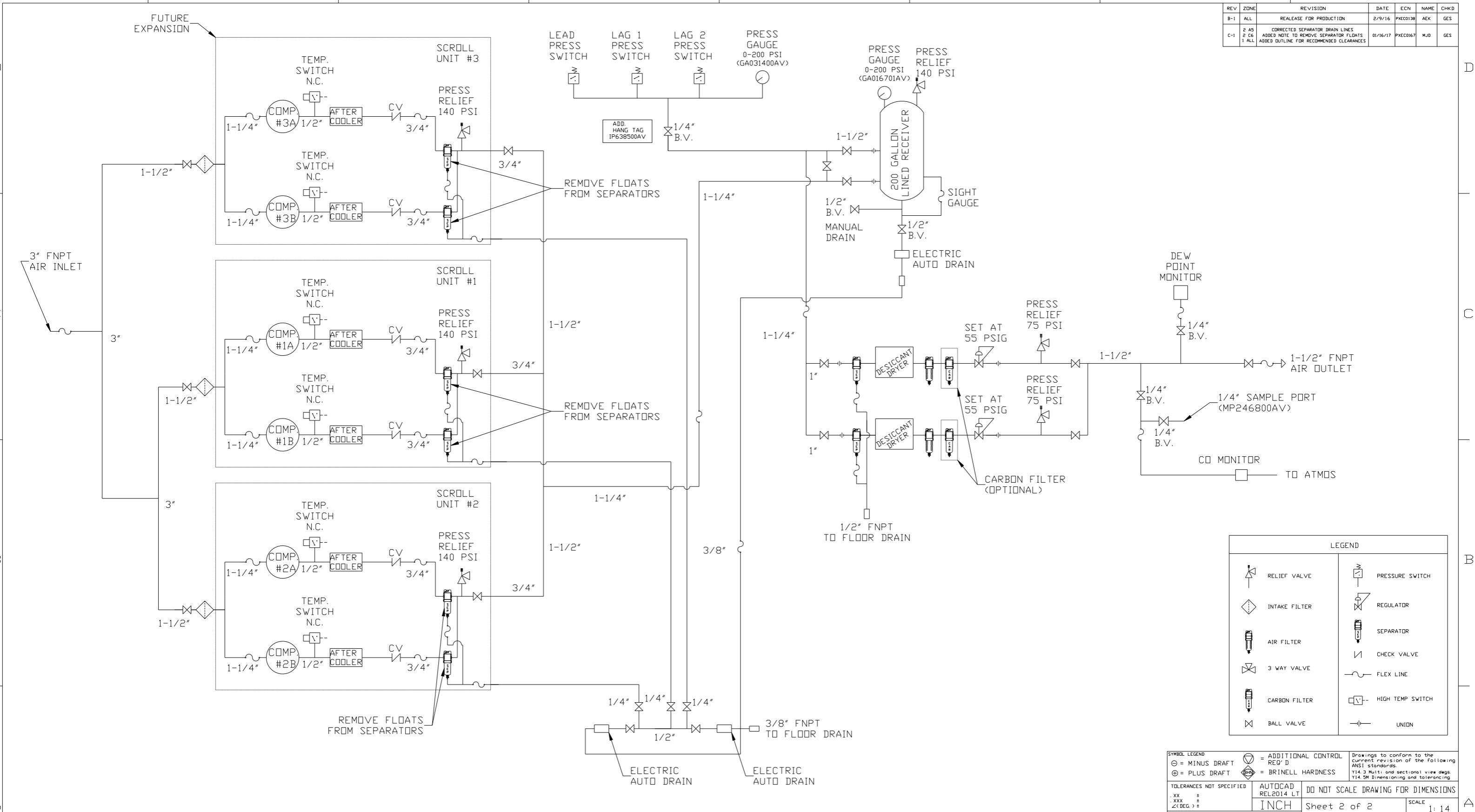
REV	ZONE	REVISION	DATE	ECN	NAME	CHKD
B-1	ALL	RELEASE TO PRODUCTION	2/9/16	PXEC0138	AEK	GES
C-1	2 AS 2 C6 1 ALL	CORRECTED SEPARATOR DRAIN LINES ADDED NOTE TO REMOVE SEPARATOR FLDATS ADDED OUTLINE FOR RECOMMENDED CLEARANCES	01/16/17	PXEC0167	MJD	GES



NOTE: SYSTEM DESIGNED IN COMPLIANCE WITH US NFPA'99, LATEST EDITION.

SYMBOL LEGEND		= ADDITIONAL CONTROL REQ'D		Drawings to conform to the current revision of the following ANSI standards:	
⊖	MINUS DRAFT	⊕	PLUS DRAFT	⊖	BRINELL HARDNESS
TOLERANCES NOT SPECIFIED		AUTOCAD REL2014 LT		DO NOT SCALE DRAWING FOR DIMENSIONS	
.XX ±	.XXX ±	INCH		Sheet 1 of 2	SCALE 1:14
CONFIDENTIAL DISCLOSURE		This drawing is the property of POWEREX, INC. of the SCOTT FETZER COMPANY and subject to return on demand. Its contents are confidential and must not be copied or submitted to outside parties for use or examination.		DRAWN BY: AEK	
		CHECKED BY: GES		APPROVED BY: ENGINEERING MFG/MKTG	
		2/9/16		2/9/16 2/9/16 2/9/16	
MATERIAL		N/A		DRAWN BY: AEK	
PART NAME		15HP SCROLL DUPLEX		DWG NO: MSD15B5-EX3	
		200GAL EXPANDABLE		SIZE: D	

REV	ZONE	REVISION	DATE	ECN	NAME	CHKD
B-1	ALL	RELEASE FOR PRODUCTION	2/9/16	PXEC0138	AEK	GES
C-1	2 AS 2 C6 1 ALL	CORRECTED SEPARATOR DRAIN LINES ADDED NOTE TO REMOVE SEPARATOR FLOATS ADDED OUTLINE FOR RECOMMENDED CLEARANCES	01/16/17	PXEC0167	MJD	GES



LEGEND	
	RELIEF VALVE
	INTAKE FILTER
	AIR FILTER
	3 WAY VALVE
	CARBON FILTER
	BALL VALVE
	PRESSURE SWITCH
	REGULATOR
	SEPARATOR
	CHECK VALVE
	FLEX LINE
	HIGH TEMP SWITCH
	UNION

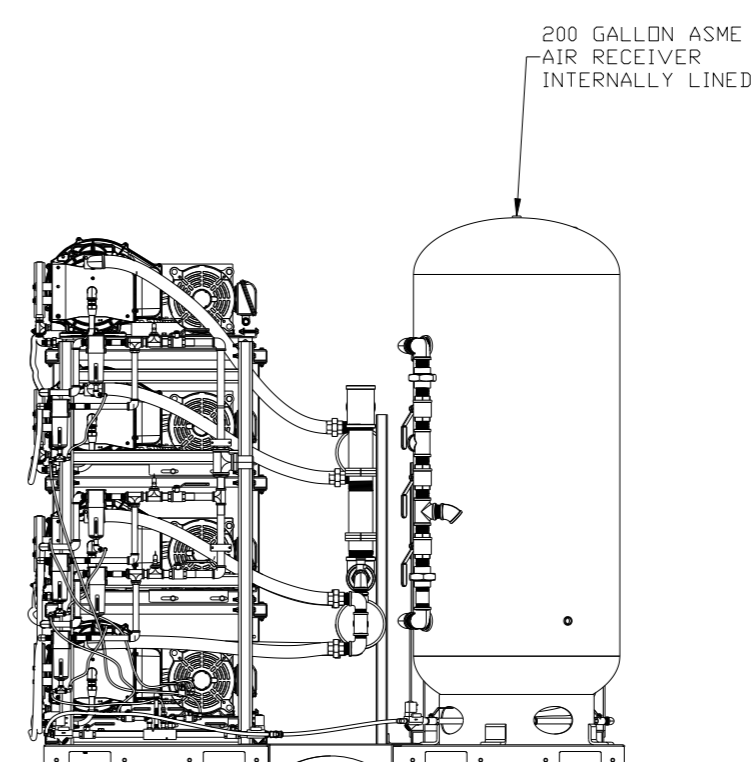
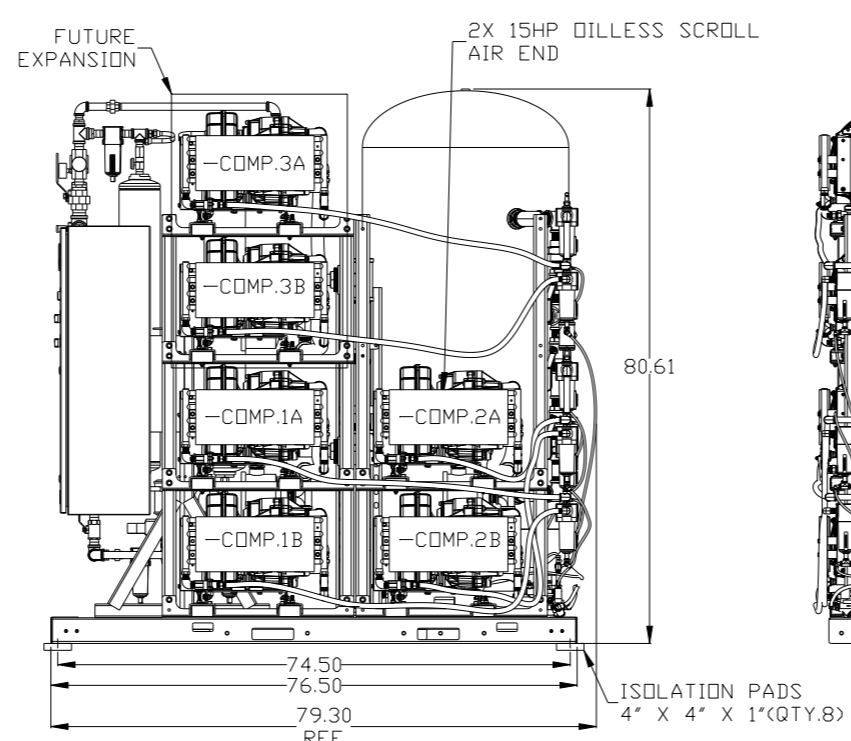
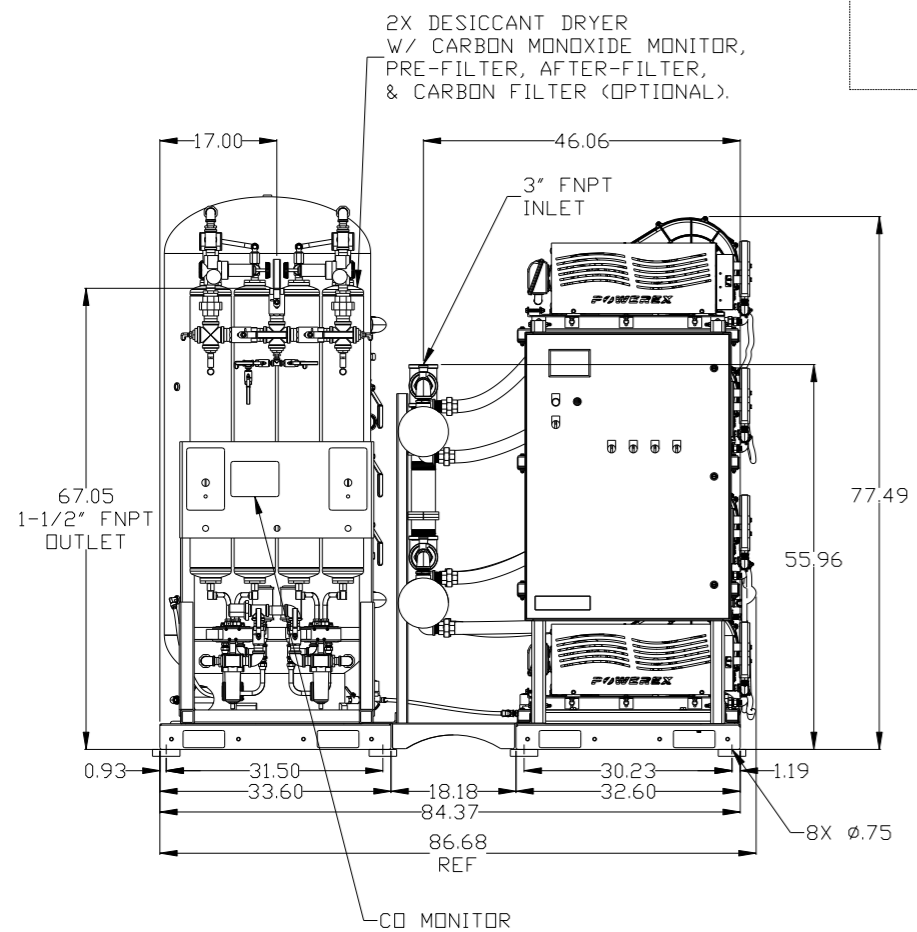
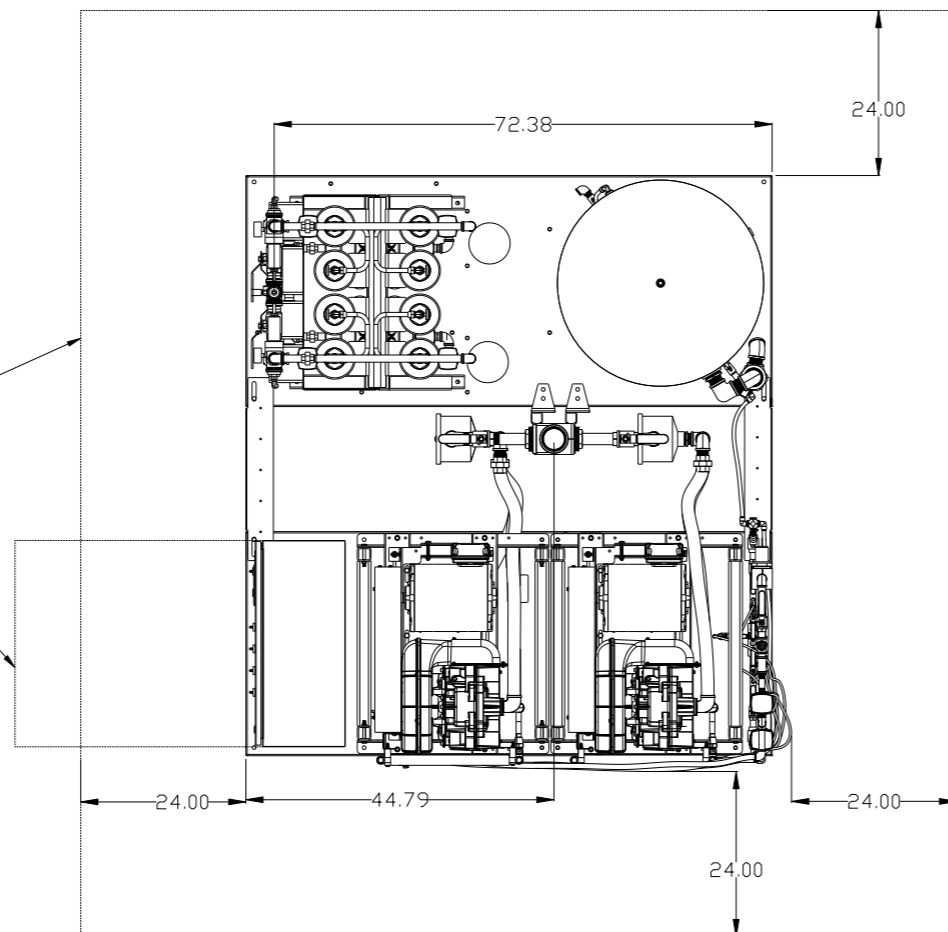
SYMBOL LEGEND		ADDITIONAL CONTROL REQ'D	Drawings to conform to the current revision of the following ANSI standards:
		MINUS DRAFT	Y14.3 Multi and sectional view dgs. Y14.5M Dimensioning and tolerancing
		PLUS DRAFT	
TOLERANCES NOT SPECIFIED	AUTOCAD REL2014 LT	DO NOT SCALE DRAWING FOR DIMENSIONS	
.XX ±		Sheet 2 of 2	SCALE 1:14
.XXX ±			
<< DEG >> ±			
CONFIDENTIAL DISCLOSURE This drawing is the property of POWEREX, INC. of the SCOTT FETZER COMPANY and subject to return on demand. Its contents are confidential and must not be copied or submitted to outside parties for use or examination.			
DRAWN BY	CHECKED BY	APPROVED BY	ENGINEERING MFG/MRKTG
AEK	GES	KMD	DFG
2/9/16	2/9/16	2/9/16	2/9/16
MATERIAL N/A			
PART NAME		150 PRODUCTION DRIVE, HARRISON, OHIO 45030 Ph 888-769-7979 FAX (513) 367-3125	
SCROLL DUPLEX EXP FLOW SCHEMATIC		DWG NO	SIZE
		MSD15B5-EX3	D

NOTES:  
 1) WITHOUT EXPANSION: IF LAG 1 COMPRESSOR IS ENERGIZED, ALARM WILL OCCUR.  
 WITH EXPANSION: IF LAG 2 COMPRESSOR IS ENERGIZED, ALARM WILL OCCUR.  
 2) PIPING TO THE INLET BY OTHERS AND TO BE PER NFPA99 4-3.1.1.9(b)  
 3) INSTRUMENTS DOWN STREAM OF SOURCE VALVE TO BE SUPPLIED BY OTHERS.

8 7 6 5 4 3 2 1

8 7 6 5 4 3 2 1

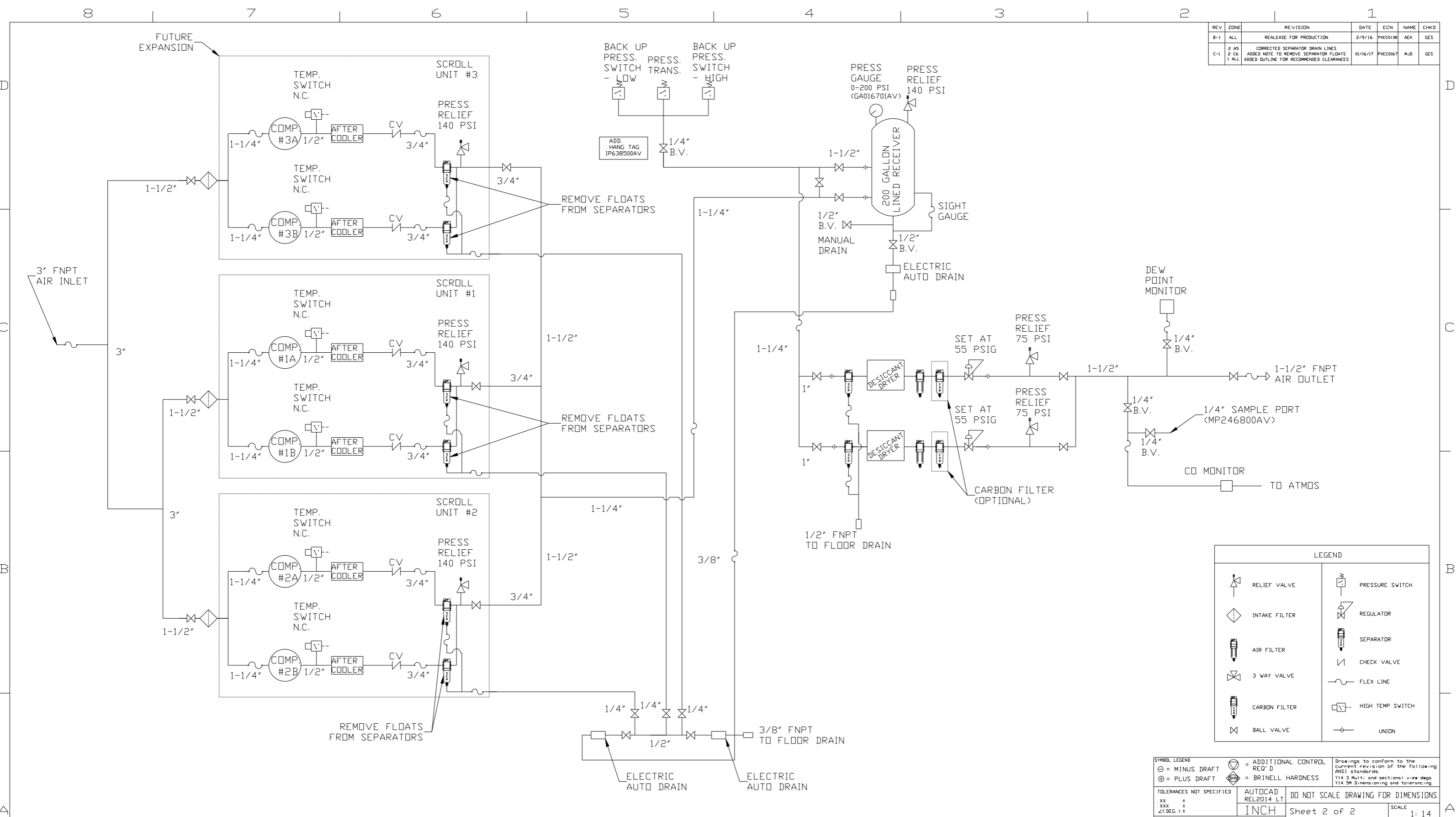
REV	ZONE	REVISION	DATE	ECN	NAME	CHKD
B-1	ALL	RELEASE TO PRODUCTION	2/9/16	PXEC0138	AEK	GES
C-1	2 AS 2 C6 1 ALL	CORRECTED SEPARATOR DRAIN LINES ADDED NOTE TO REMOVE SEPARATOR FLDATS ADDED OUTLINE FOR RECOMMENDED CLEARANCES	01/16/17	PXEC0167	MJD	GES



NOTE: SYSTEM DESIGNED IN COMPLIANCE WITH US NFPA'99, LATEST EDITION.

SYMBOL LEGEND		= ADDITIONAL CONTROL REQ'D		Drawings to conform to the current revision of the following ANSI standards:	
⊖	MINUS DRAFT	⊕	PLUS DRAFT	⊖	BRINELL HARDNESS
TOLERANCES NOT SPECIFIED		AUTOCAD REL2014 LT		DO NOT SCALE DRAWING FOR DIMENSIONS	
.XX ±		INCH		Sheet 1 of 2	SCALE 1:14
.XXX ±					
<< DEG >> ±					
CONFIDENTIAL DISCLOSURE This drawing is the property of POWEREX, INC. of the SCOTT FEITZER COMPANY and subject to return on demand. Its contents are confidential and must not be copied or submitted to outside parties for use or examination.					
DRAWN BY		CHECKED BY		APPROVED BY	
AEK		GES		KMD DFG	
2/9/16		2/9/16		2/9/16 2/9/16	
MATERIAL N/A					
PART NAME		15HP SCROLL DUPLEX		200GAL EXPANDABLE	
DWG NO		MSD15B5-EX3		SIZE D	

REV	ZONE	REVISION	DATE	ECN	NAME	CHKD
B-1	ALL	RELEASE FOR PRODUCTION	2/9/16	PXEC0138	AEK	GES
C-1	2 AS 2 C6 1 ALL	CORRECTED SEPARATOR DRAIN LINES ADDED NOTE TO REMOVE SEPARATOR FLOATS ADDED OUTLINE FOR RECOMMENDED CLEARANCES	01/16/17	PXEC0167	MJD	GES



LEGEND	
	RELIEF VALVE
	INTAKE FILTER
	AIR FILTER
	3 WAY VALVE
	CARBON FILTER
	BALL VALVE
	PRESSURE SWITCH
	REGULATOR
	SEPARATOR
	CHECK VALVE
	FLEX LINE
	HIGH TEMP SWITCH
	UNION

NOTES:  
 1) WITHOUT EXPANSION: IF LAG 1 COMPRESSOR IS ENERGIZED, ALARM WILL OCCUR.  
 WITH EXPANSION: IF LAG 2 COMPRESSOR IS ENERGIZED, ALARM WILL OCCUR.  
 2) PIPING TO THE INLET BY OTHERS AND TO BE PER NFPA99 4-3.11.9(b)  
 3) INSTRUMENTS DOWN STREAM OF SOURCE VALVE TO BE SUPPLIED BY OTHERS.

SYMBOL LEGEND ⊖ = MINUS DRAFT ⊕ = PLUS DRAFT		= ADDITIONAL CONTROL REQ'D = BRINELL HARDNESS	Drawings to conform to the current revision of the following ANSI standards: Y14.3 Multi and sectional view dgs. Y14.5M Dimensioning and tolerancing
TOLERANCES NOT SPECIFIED .XX ± .XXX ± < < DEG > ±		AUTOCAD REL2014 LT INCH	DO NOT SCALE DRAWING FOR DIMENSIONS Sheet 2 of 2 SCALE 1:14
CONFIDENTIAL DISCLOSURE This drawing is the property of POWEREX, INC. of the SCOTT FETZER COMPANY and subject to return on demand. Its contents are confidential and must not be copied or submitted to outside parties for use or examination.		DRAWN BY AEK	CHECKED BY GES
MATERIAL N/A		APPROVED BY KMD	MFG/MKTG DFG
PART NAME SCROLL DUPLEX EXP FLOW SCHEMATIC		DATE 2/9/16	DATE 2/9/16
DWG NO MSD15B5-EX3		SIZE D	