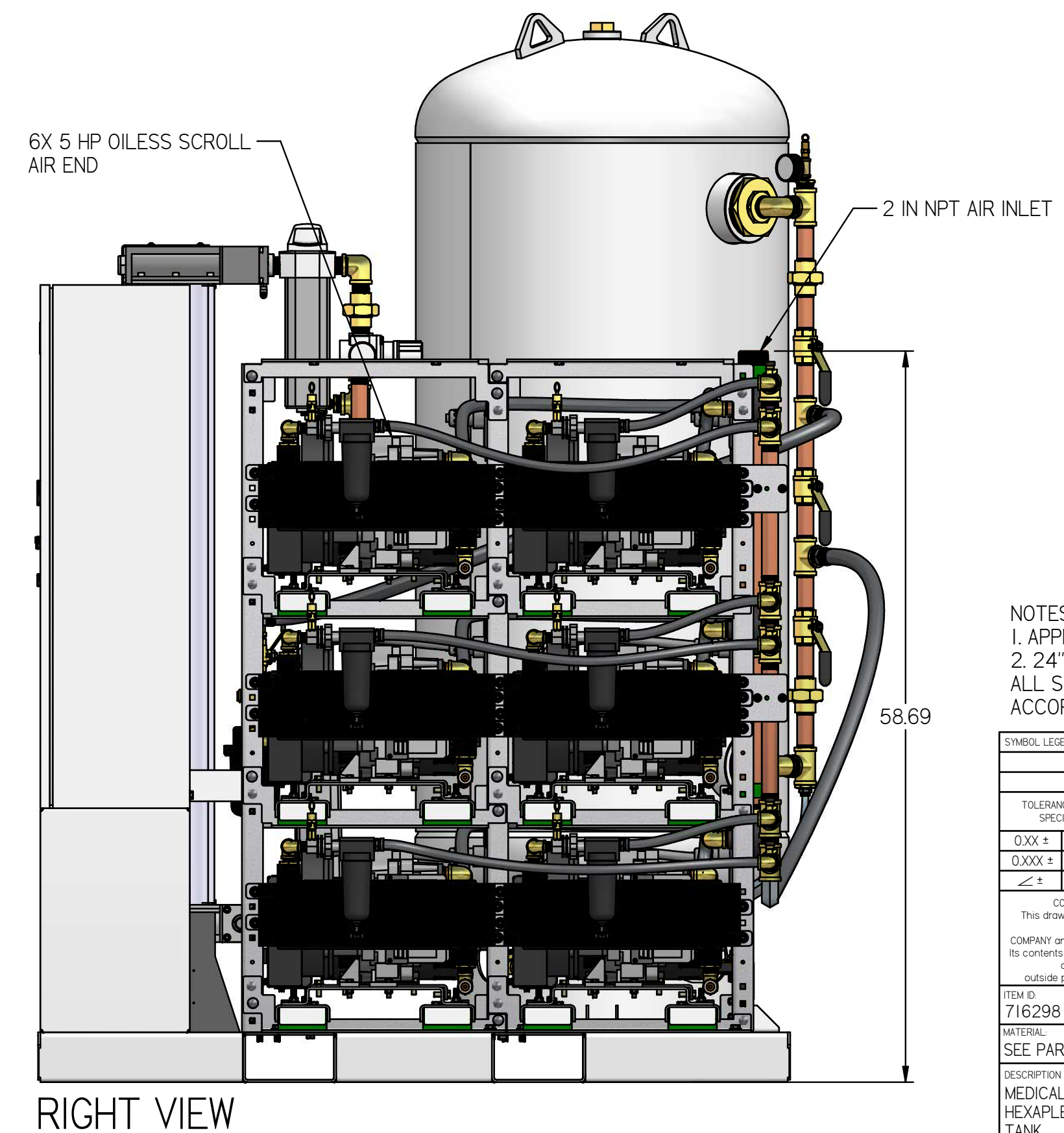
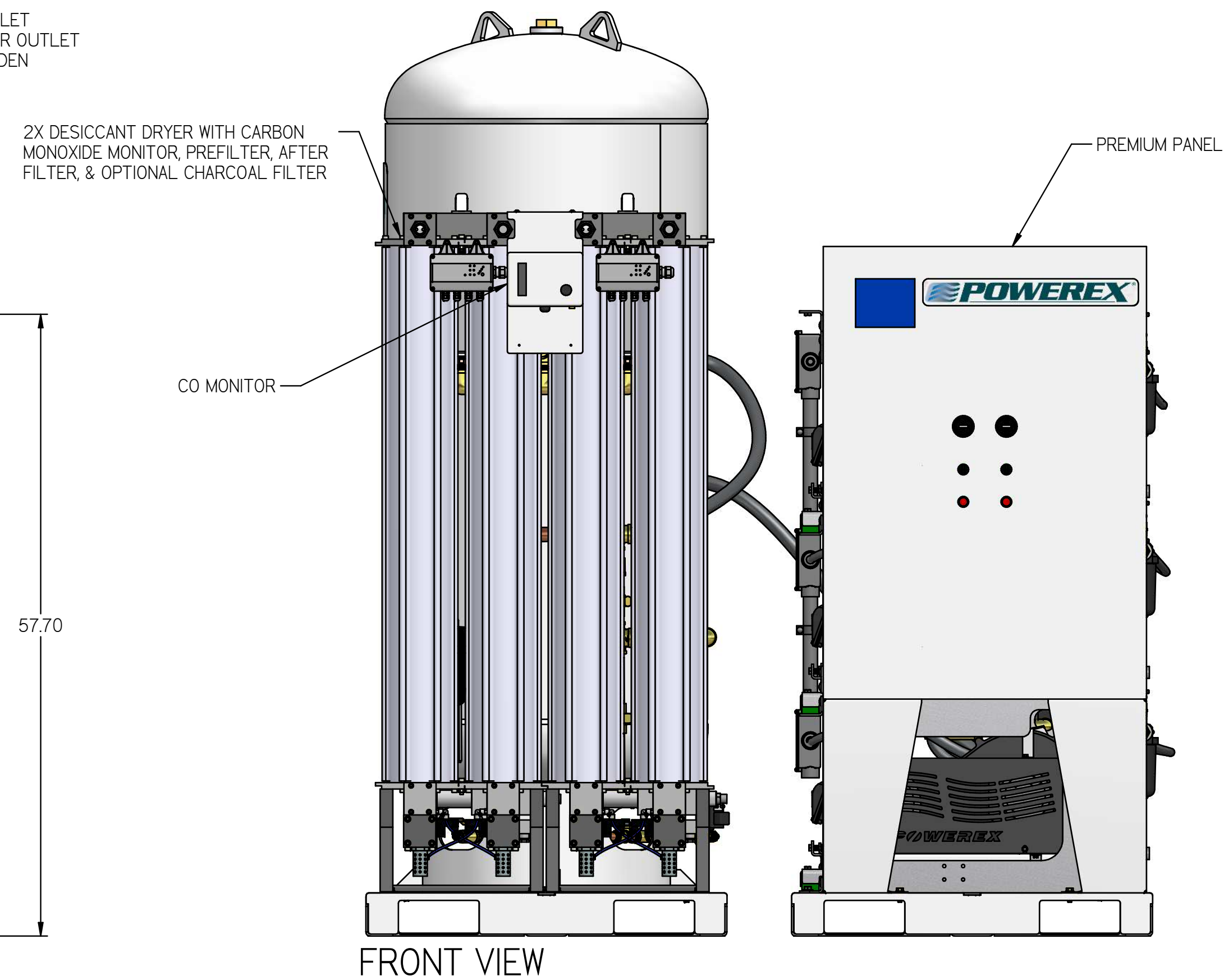
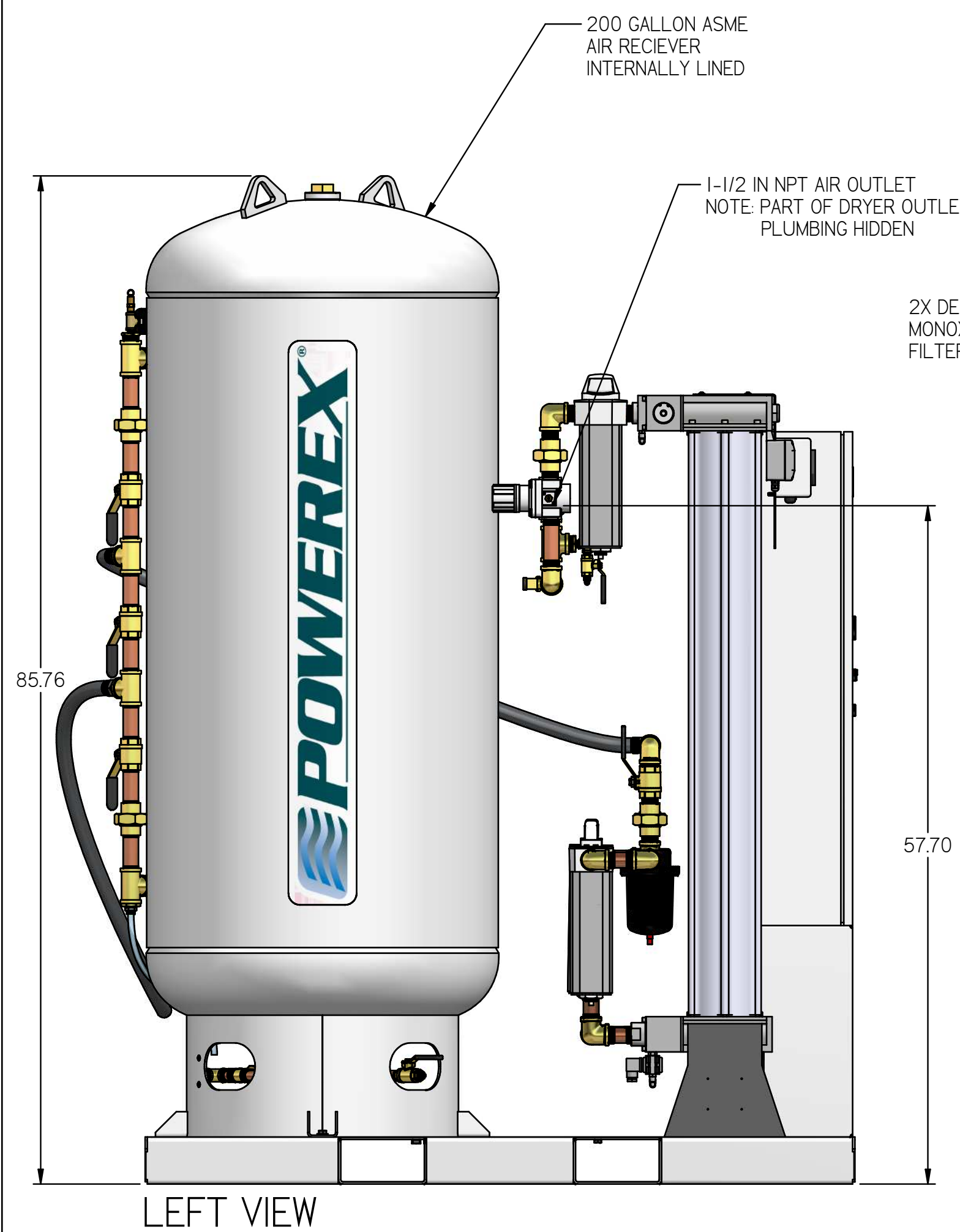
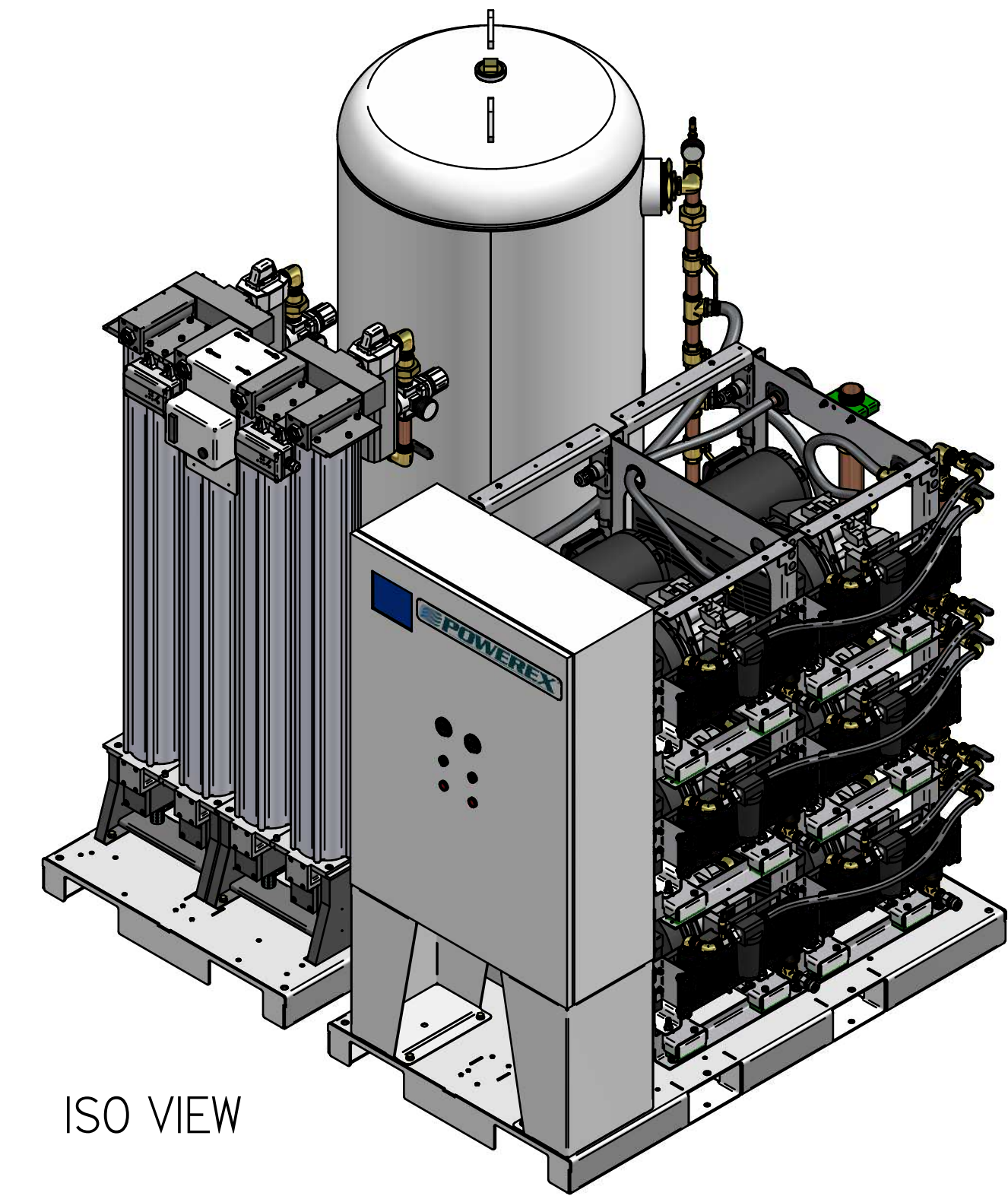
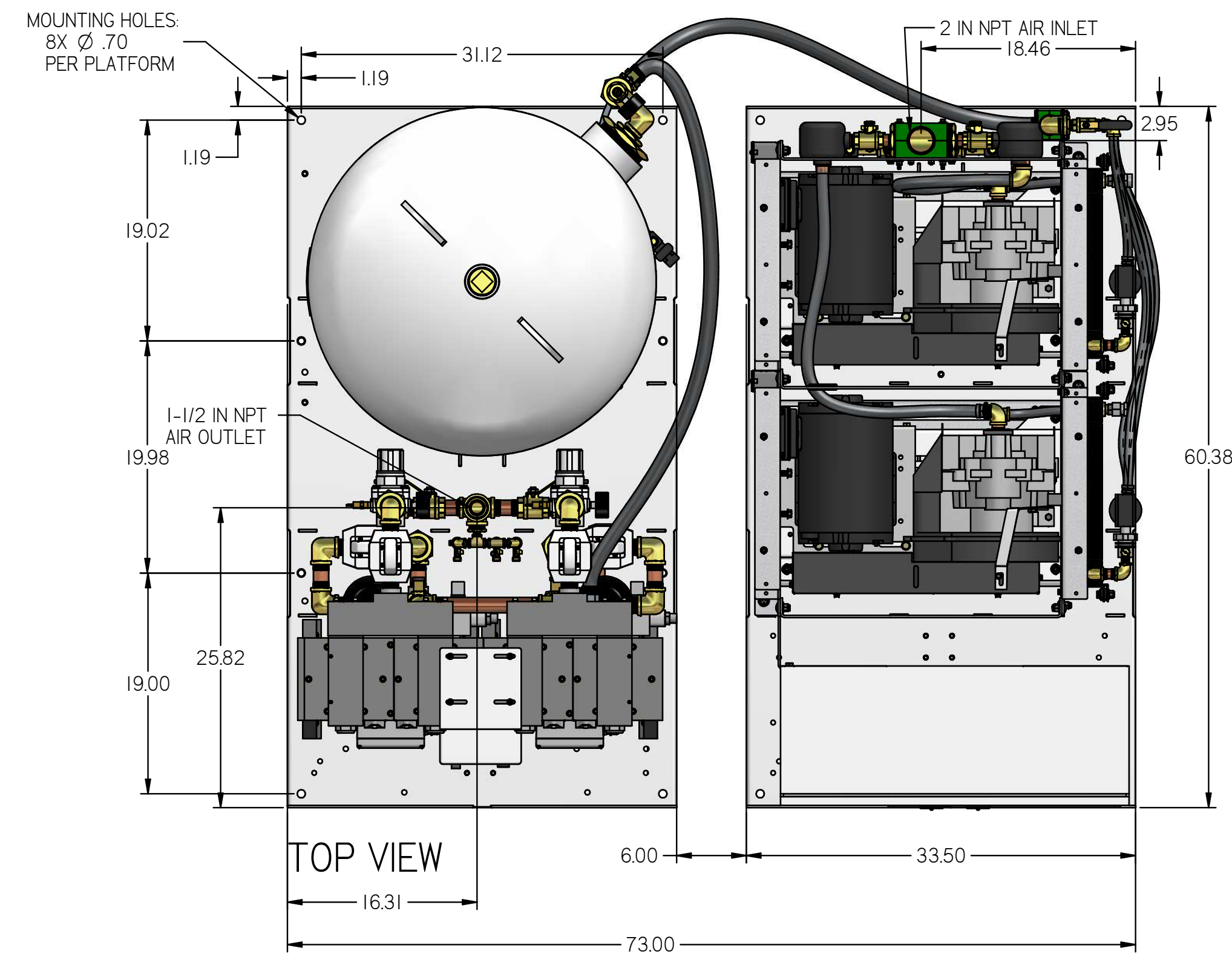


REVISION NOTES		
DESCRIPTION	ECN	PR/NOR
PRODUCTION RELEASE	PXEC0169	N/A

MSH05A5

MEDICAL OPEN SCROLL 5 HP
HEXAPLEX WITH 200 GALLON
TANK
PREMIUM PANEL



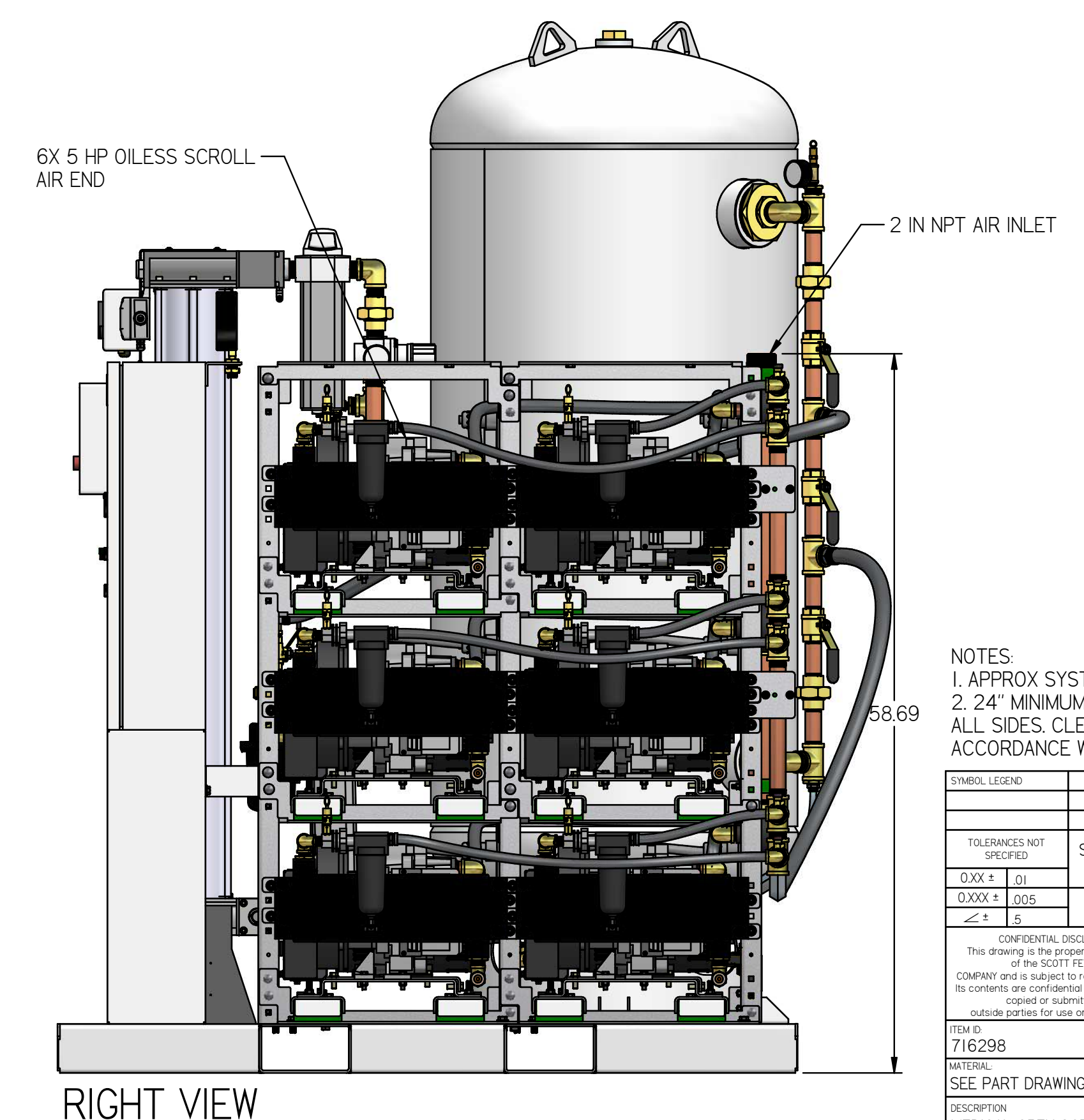
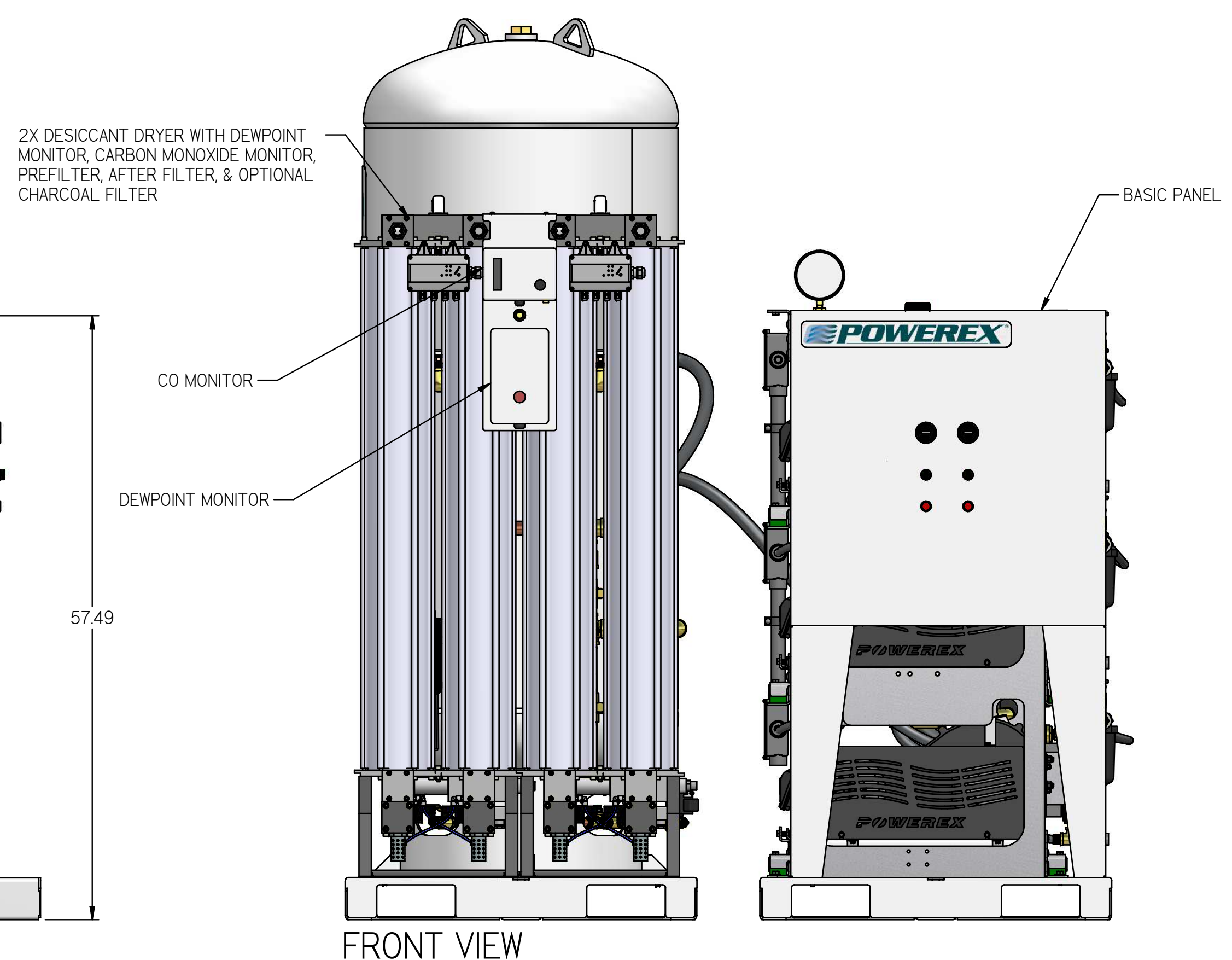
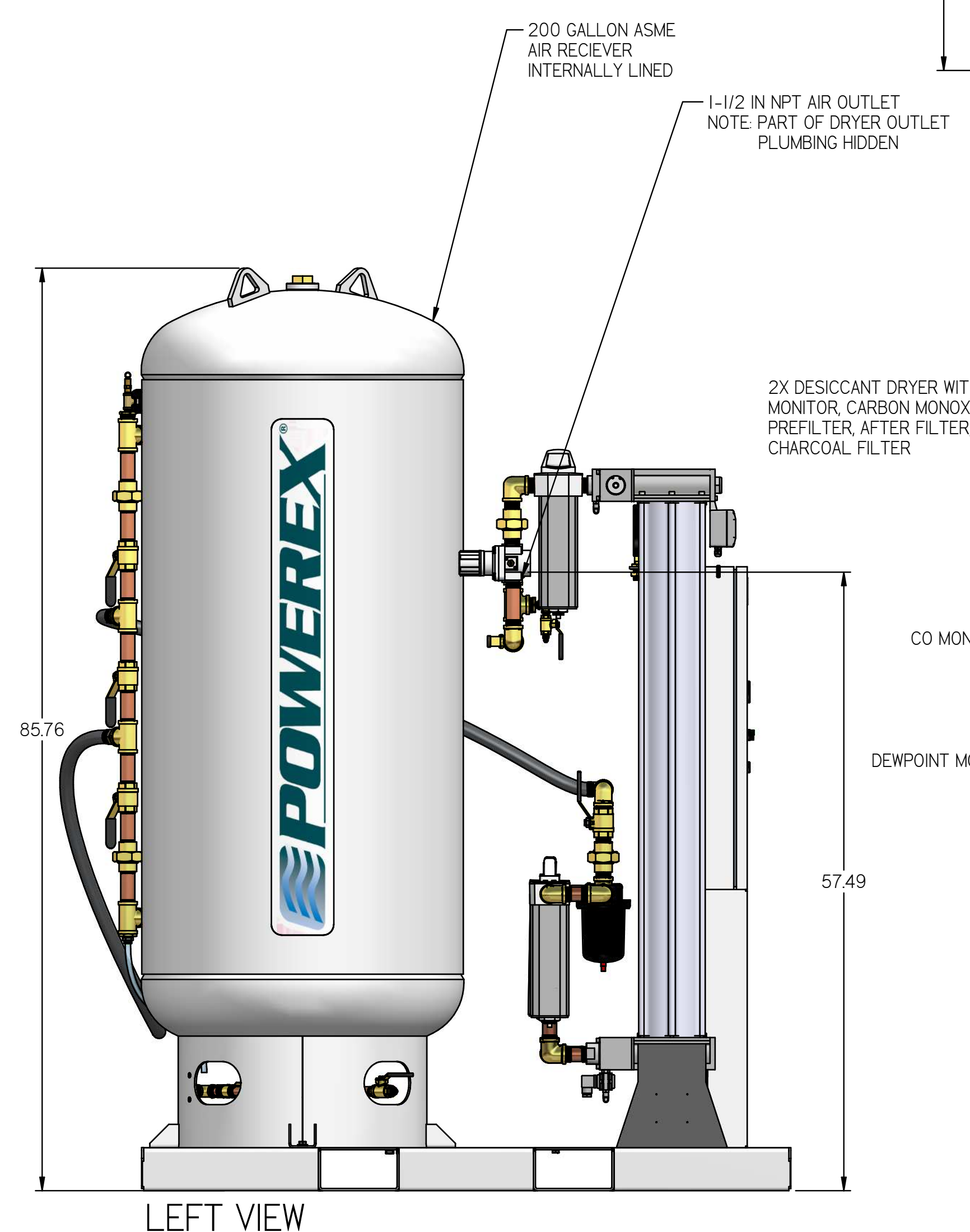
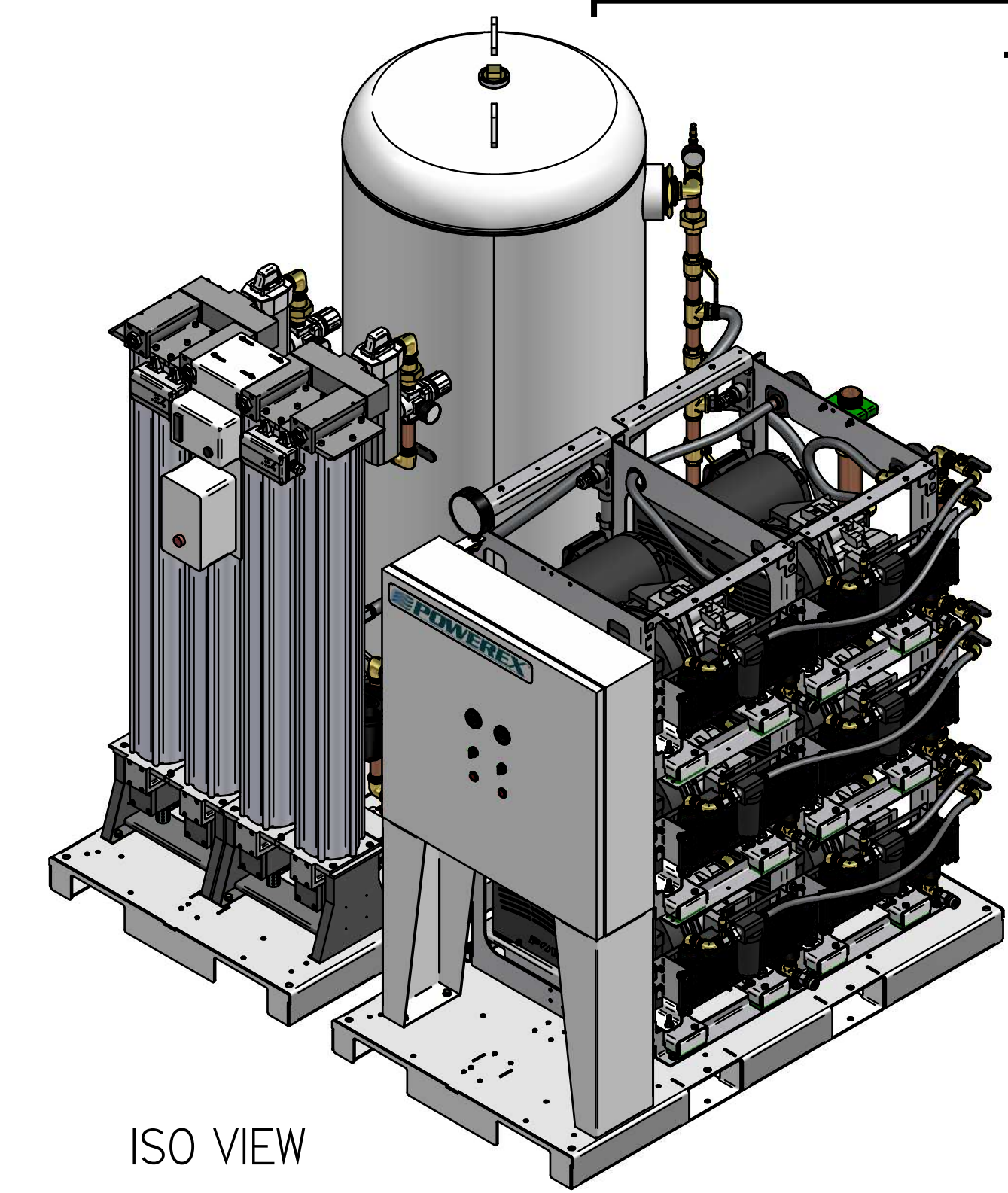
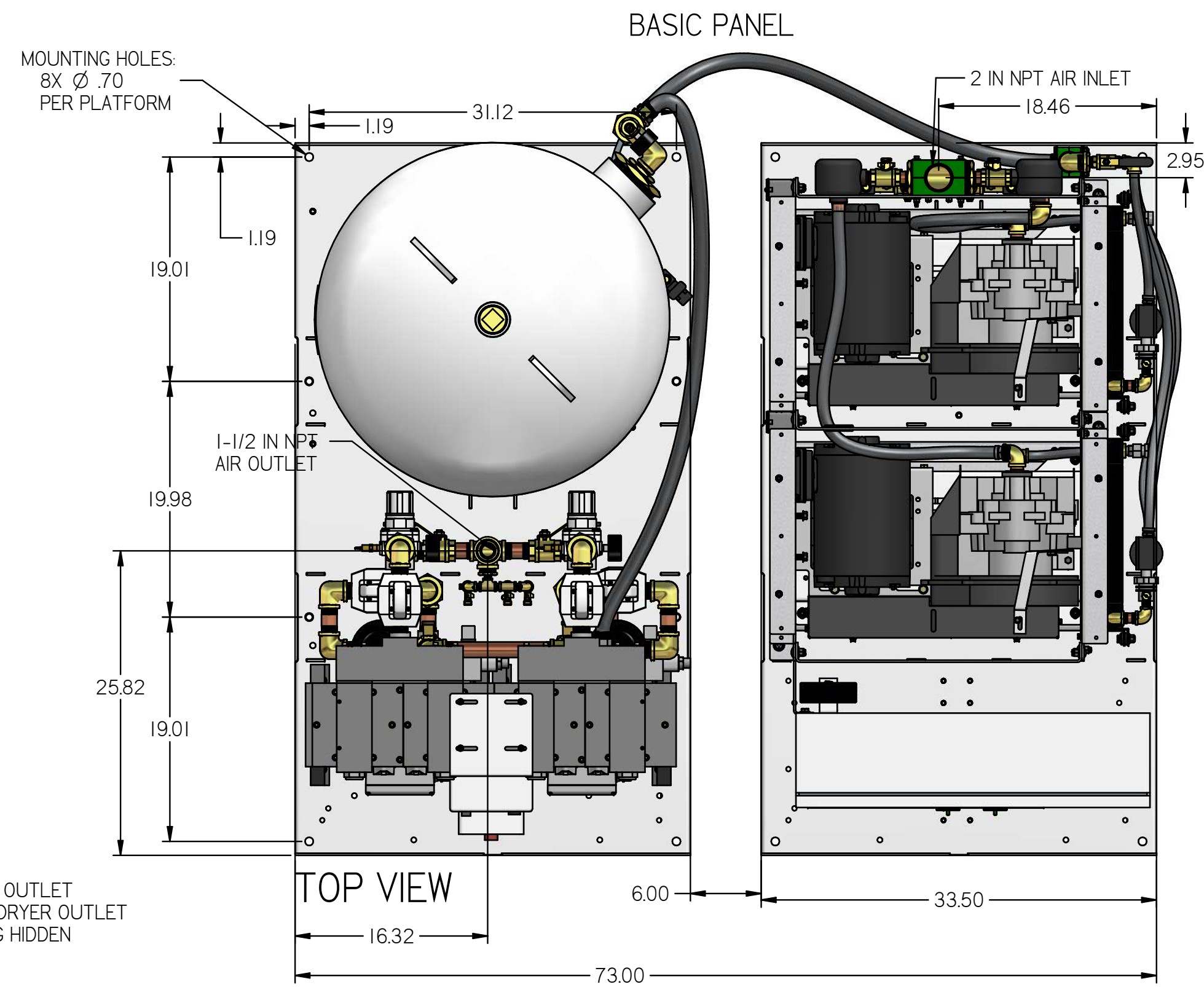
- NOTES
- APPROX SYSTEM WEIGHT: 3232 LB
 - 24" MINIMUM MAINTENANCE CLEARANCE RECOMMENDED ALL SIDES. CLEARANCE FOR CONTROL PANEL SHALL BE IN ACCORDANCE WITH OSHA/NEC REQUIREMENTS

SYMBOL LEGEND		DRAWINGS TO CONFORM TO CURRENT REVISION OF THE FOLLOWING ANSI STANDARDS:		
TOLERANCES NOT SPECIFIED	SOLID EDGE DRAWING	DO NOT SCALE DRAWING FOR DIMENSIONS		
0.XXX ± .01	INCH	SHEET 1 OF 5	SCALE	1:10
0.XXX ± .005				
CONFIDENTIAL DISCLOSURE This drawing is the property of POWEREX of the SCOTT FETTER COMPANY and is subject to return on demand. Its contents are confidential and must not be copied or submitted to outside parties for use or examination.		AUTHOR	ORIGINATION DATE	APPROVALS ON FILE IN PLM
PART NO: 716298		ASoulek	10/2/2018	
MATERIAL: SEE PART DRAWINGS		 150 PRODUCTION DRIVE, HARRISON OH 45030 ©2018 768-7029		
DESCRIPTION: MEDICAL OPEN SCROLL 5 HP HEXAPLEX WITH 200 GALLON TANK				
DRAWING NUMBER: MSH05A5		REVISION	SIZE	
		A	D	

MSH05A5

MEDICAL OPEN SCROLL 5 HP HEXAPLEX WITH 200 GALLON TANK

REVISION NOTES		
DESCRIPTION	ECN	PR/NOR
	PXEC0169	N/A



- NOTES:
- APPROX SYSTEM WEIGHT: 3232 LB
 - 24" MINIMUM MAINTENANCE CLEARANCE RECOMMENDED ALL SIDES. CLEARANCE FOR CONTROL PANEL SHALL BE IN ACCORDANCE WITH OSHA/NEC REQUIREMENTS

SYMBOL LEGEND		DRAWINGS TO CONFORM TO CURRENT REVISION OF THE FOLLOWING ANSI STANDARDS:	
TOLERANCES NOT SPECIFIED	SOLID EDGE DRAWING	DO NOT SCALE DRAWING FOR DIMENSIONS	
0.XXX ± .01	INCH	SHEET 2 OF 5	SCALE 1:10
0.XXX ± .005		APPROVALS ON FILE IN PLM	
CONFIDENTIAL DISCLOSURE: This drawing is the property of POWEREX of the SCOTT FETTER COMPANY and is subject to return on demand. Its contents are confidential and must not be copied or submitted to outside parties for use or examination.		AUTHOR	ORIGINATION DATE
MATERIAL: SEE PART DRAWINGS		ASoulek	10/2/2018
DRAWING NUMBER: MSH05A5		REVISION	SIZE
DESCRIPTION: MEDICAL OPEN SCROLL 5 HP HEXAPLEX WITH 200 GALLON TANK		A	D

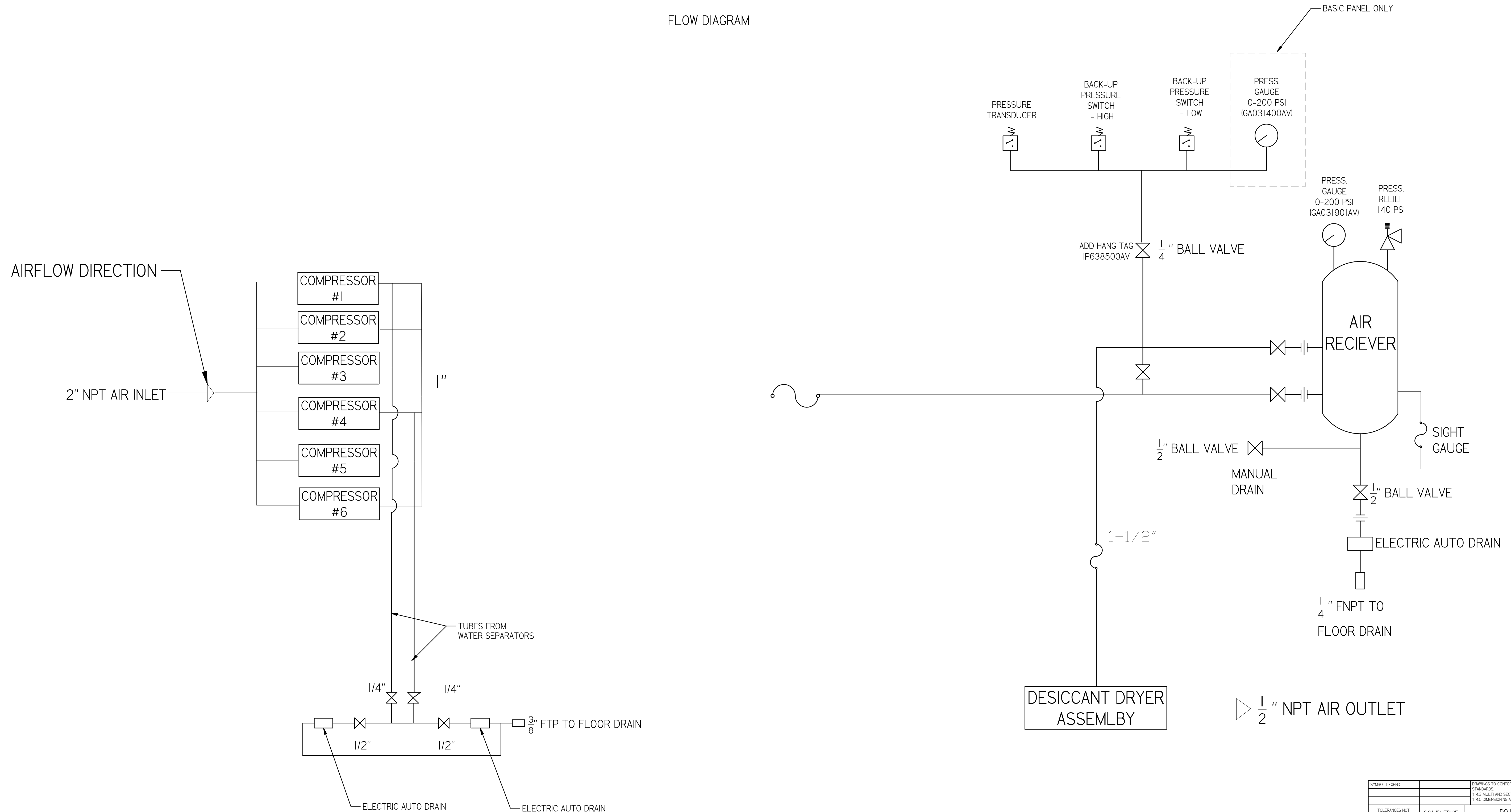


MSH05A5

MEDICAL OPEN SCROLL 5 HP
HEXAPLEX WITH 200 GALLON
TANK

FLOW DIAGRAM

REVISION NOTES		
DESCRIPTION	ECN	PR/NOR
PRODUCTION RELEASE	PXECO169	N/A

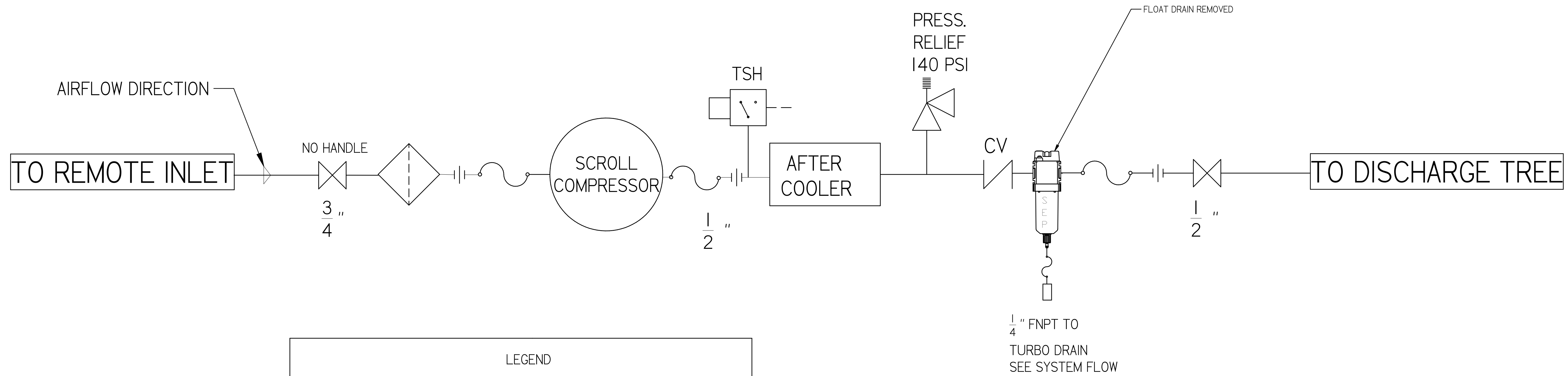


SYMBOL LEGEND		DRAWINGS TO CONFORM TO CURRENT REVISION OF THE FOLLOWING ANSI STANDARDS:	
TOLERANCES NOT SPECIFIED	SOLID EDGE DRAWING	Y14.3 MULTI-VIEW AND SECTIONAL VIEW DIMS	
0.001 ± 0.01	INCH	Y14.5 DIMENSIONING AND TOLERANCING	
0.005 ± 0.005		SHEET 3 OF 5	SCALE 1:1
<small>CONFIDENTIAL DISCLOSURE</small> This drawing is the property of POWEREX of the SCOTT FETTER COMPANY and is subject to return on demand. Its contents are confidential and must not be copied or submitted to outside parties for use or examination.		AUTHOR	APPROVALS ON FILE IN PLM
<small>ITEM NO:</small> 716298 <small>MATERIAL:</small> SEE PART DRAWINGS	<small>ORIGINATION DATE:</small> 10/2/2018 		
<small>DESCRIPTION:</small> MEDICAL OPEN SCROLL 5 HP HEXAPLEX WITH 200 GALLON TANK	<small>DRAWING NUMBER:</small> MSH05A5 <small>REVISION:</small> A <small>SIZE:</small> D		

REVISION NOTES		
DESCRIPTION	ECN	PR/NOR
PRODUCTION RELEASE	PXECO169	N/A

MSH05A5

MEDICAL OPEN SCROLL 5 HP
HEXAPLEX WITH 200 GALLON
TANK
MEDICAL COMPRESSOR
FLOW DIAGRAM



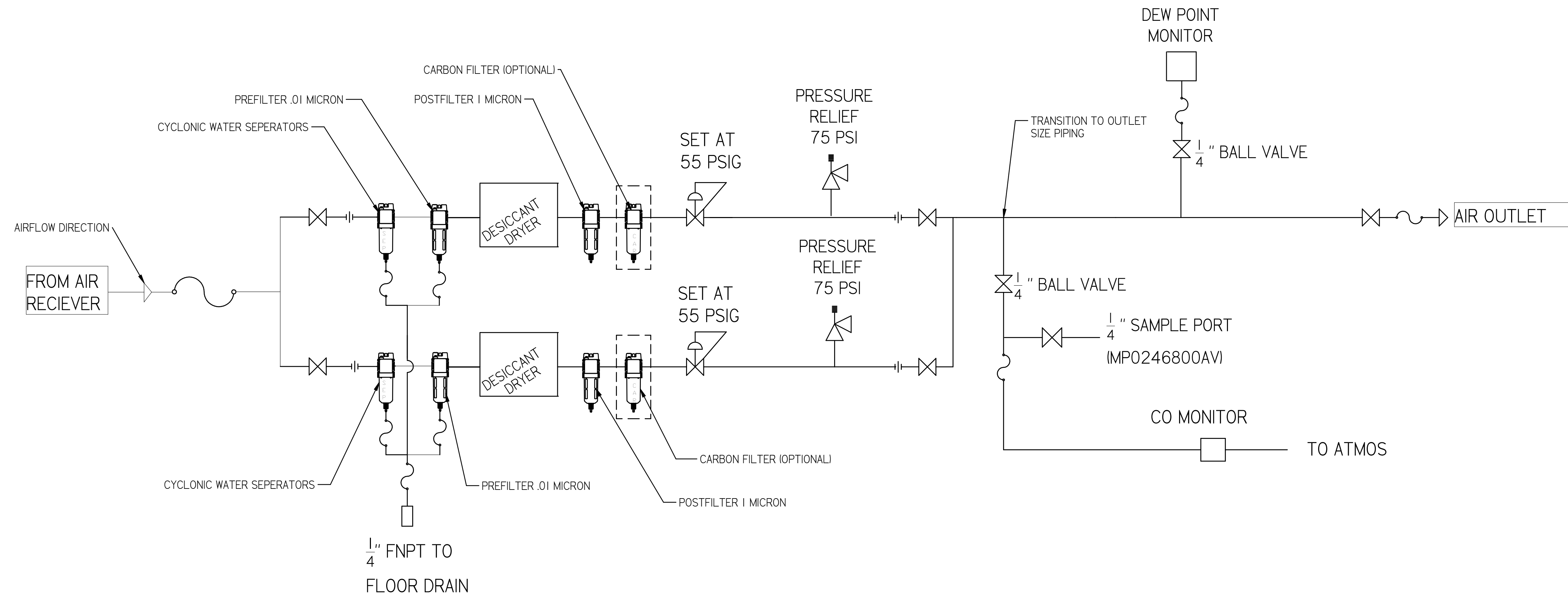
LEGEND	
	RELIEF VALVE
	INTAKE FILTER
	AIR FILTER
	3 WAY VALVE
	CARBON FILTER
	BALL VALVE
	PRESSURE SWITCH
	REGULATOR
	SEPARATOR
	CHECK VALVE
	FLEX LINE
	TSH HIGH TEMP SWITCH

SYMBOL LEGEND		DRAWINGS TO CONFORM TO CURRENT REVISION OF THE FOLLOWING ANSI STANDARDS:	
TOLERANCES NOT SPECIFIED:		Y14.3 MULTI AND SECTIONAL VIEW DIMS	
0.001 ± .01	SOLID EDGE DRAWING	DO NOT SCALE DRAWING FOR DIMENSIONS	
0.0005 ± .0005		SHEET 4 OF 5	SCALE 1:1
CONFIDENTIAL DISCLOSURE: This drawing is the property of POWEREX of the SCOTT FETTER COMPANY and is subject to return on demand. Its contents are confidential and must not be copied or submitted to outside parties for use or examination.		AUTHOR	APPROVALS ON FILE IN PLM
716298		ASoulek	10/2/2018
MATERIAL: SEE PART DRAWINGS			
DESCRIPTION: MEDICAL OPEN SCROLL 5 HP HEXAPLEX WITH 200 GALLON TANK		DRAWING NUMBER: MSH05A5	REVISION: A SIZE: D

REVISION NOTES		
DESCRIPTION	ECN	PR/NOR
PRODUCTION RELEASE	PXECO169	N/A

MSH05A5

MEDICAL OPEN SCROLL 5 HP
HEXAPLEX WITH 200 GALLON
TANK
MEDICAL DRYER
FLOW DIAGRAM



PUMP COUNT	DRYER PLUMBING SIZE	OUTLET PIPE SIZE
2	1/2"	1/2"
3	1/2"	1"
4	1/2"	1"
6	1"	1-1/2"
8	1"	1-1/2"
9	1"	1-1/2"
12	1-1/2"	2"
15	1-1/2"	2"
18	1-1/2"	2"

SYMBOL LEGEND		DRAWINGS TO CONFORM TO CURRENT REVISION OF THE FOLLOWING ANSI STANDARDS:	
TOLERANCES NOT SPECIFIED		Y14.3 MULTI AND SECTIONAL VIEW DIMS	
0.XXX ± .01		Y14.5 DIMENSIONING AND TOLERANCING	
0.XXX ± .005		SHEET 5 OF 5	
± .5		SCALE 1:1	
<small>CONFIDENTIAL DISCLOSURE</small> This drawing is the property of POWEREX of the SCOTT FETTER COMPANY and is subject to return on demand. Its contents are confidential and must not be copied or submitted to outside parties for use or examination.		<small>APPROVALS ON FILE IN PLM</small> AUTHOR: ASoulek ORIGINATION DATE: 10/2/2018	
<small>FROM:</small> 716298			
<small>MATERIAL:</small> SEE PART DRAWINGS		<small>150 PRODUCTION DRIVE, HARRISON OH 45030</small> <small>(888) 768-7079</small>	
<small>DESCRIPTION:</small> MEDICAL OPEN SCROLL 5 HP HEXAPLEX WITH 200 GALLON TANK		<small>DRAWING NUMBER:</small> MSH05A5 <small>REVISION:</small> A <small>SIZE:</small> D	

