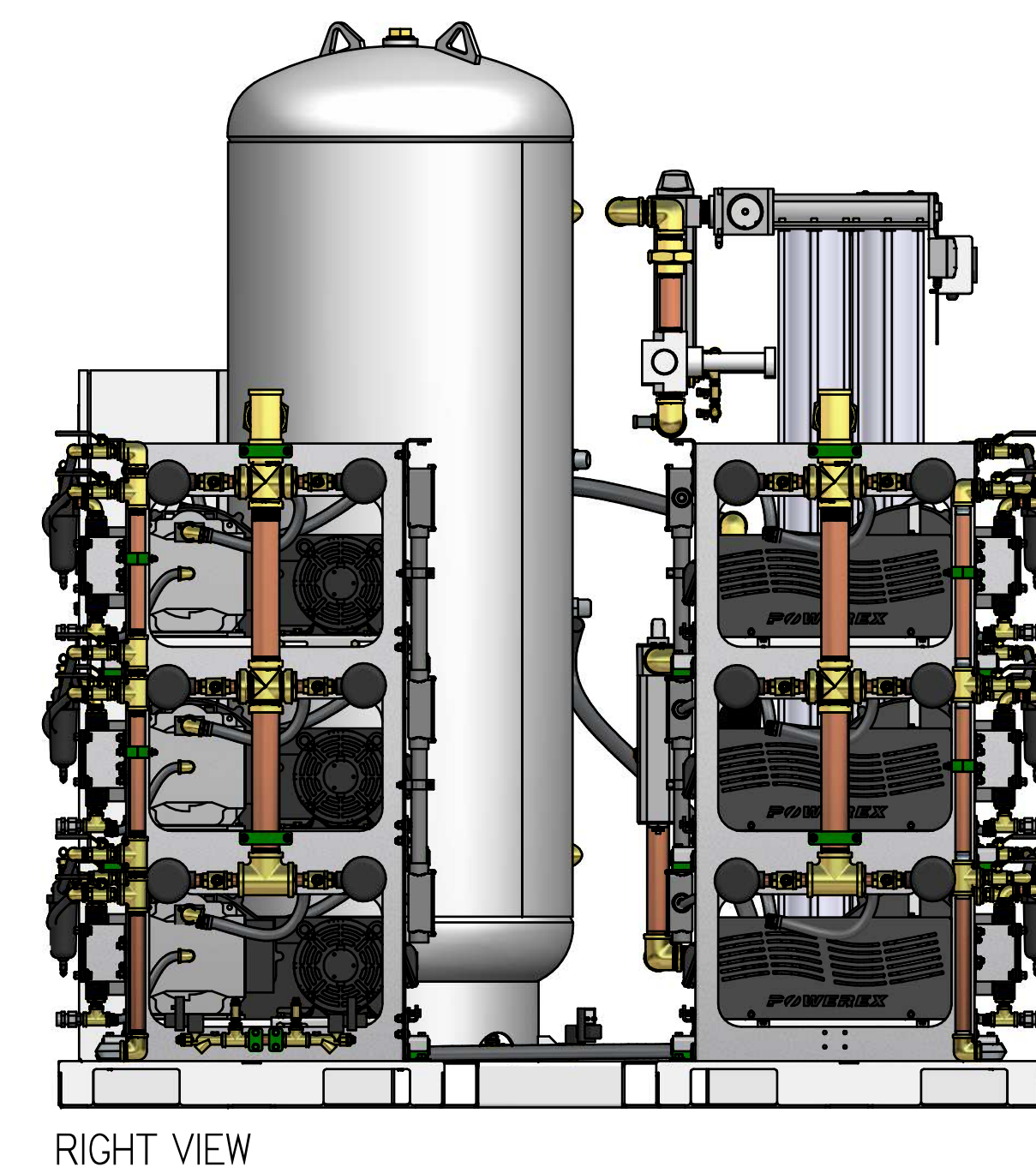
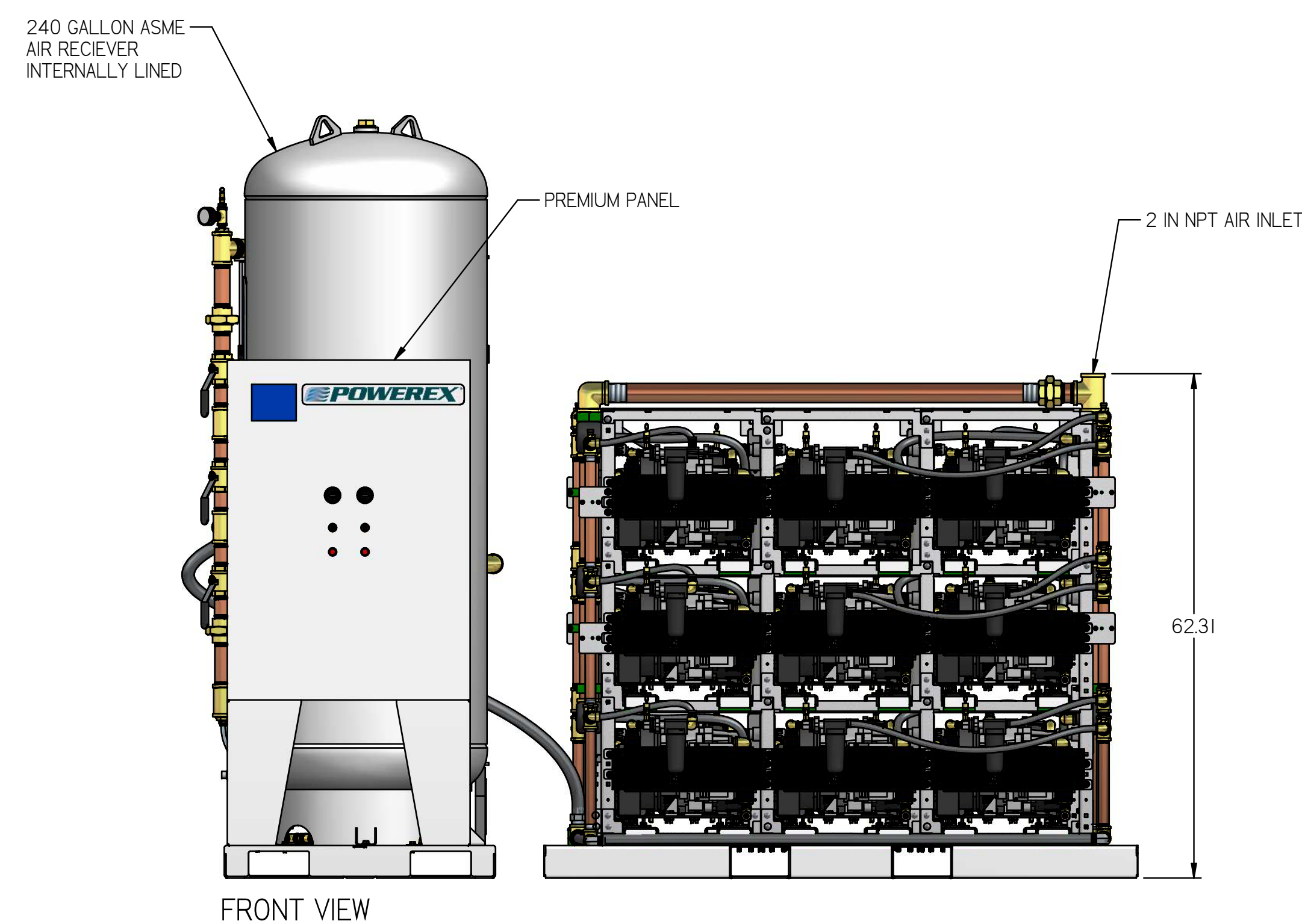
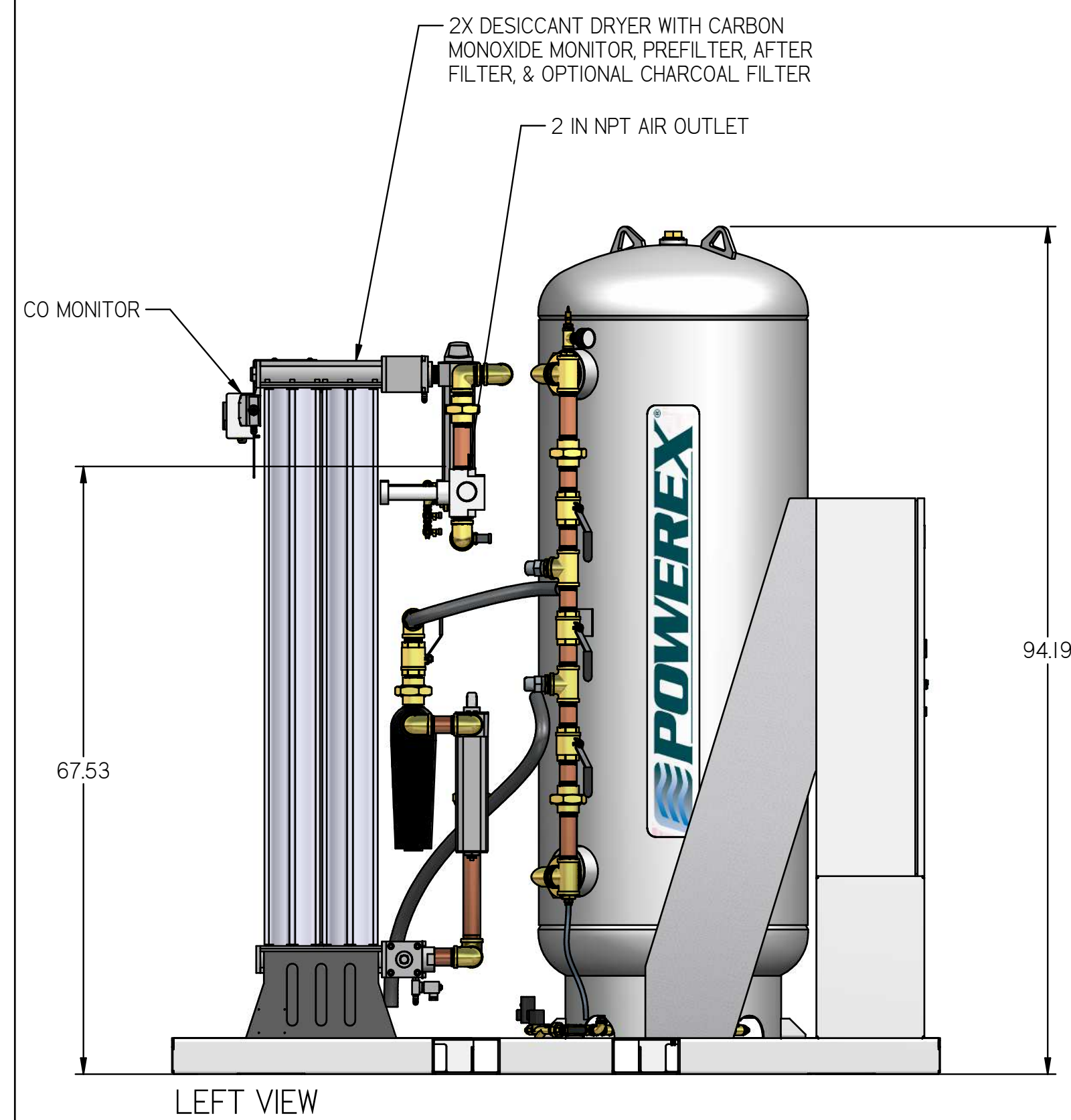
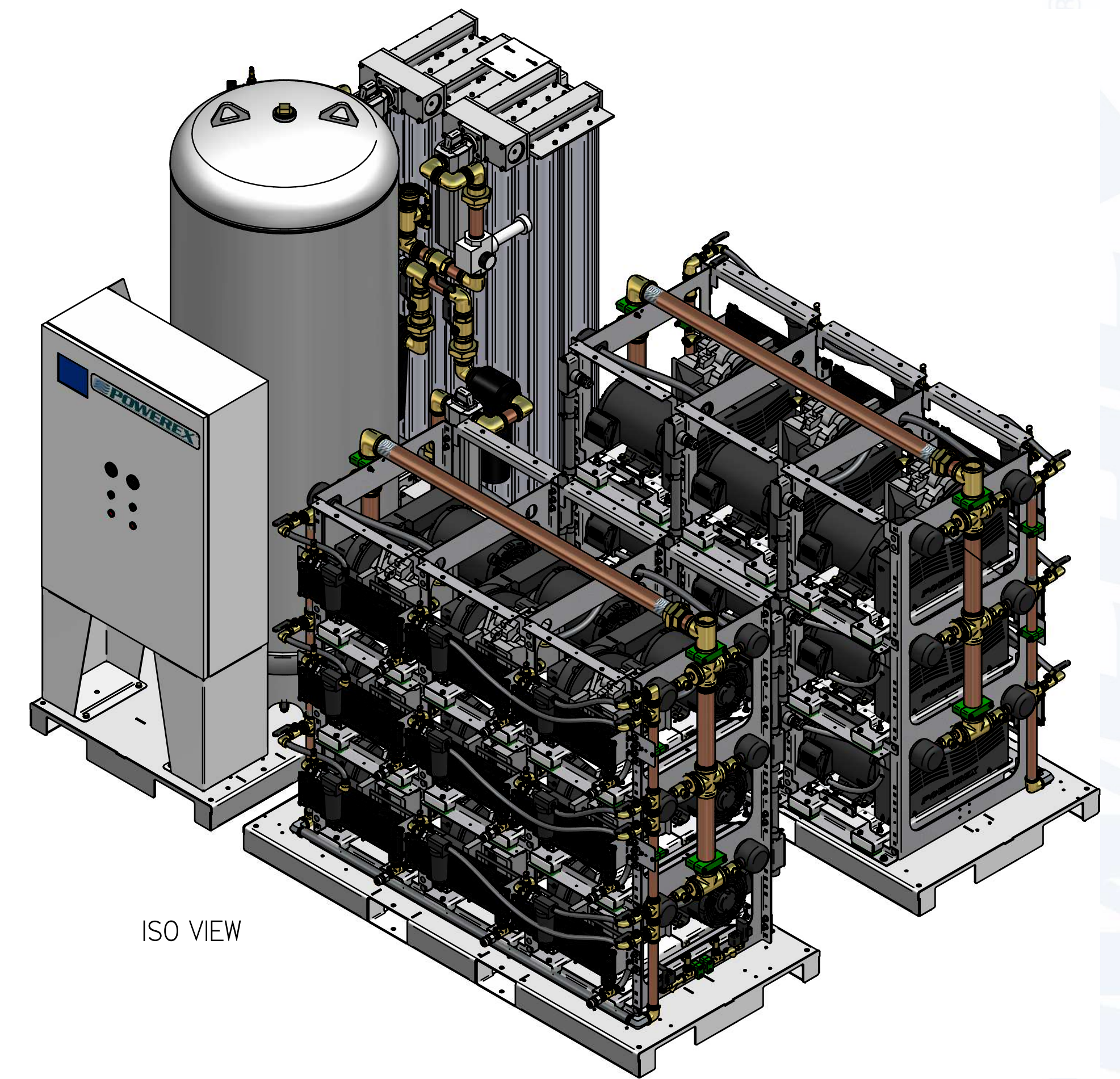
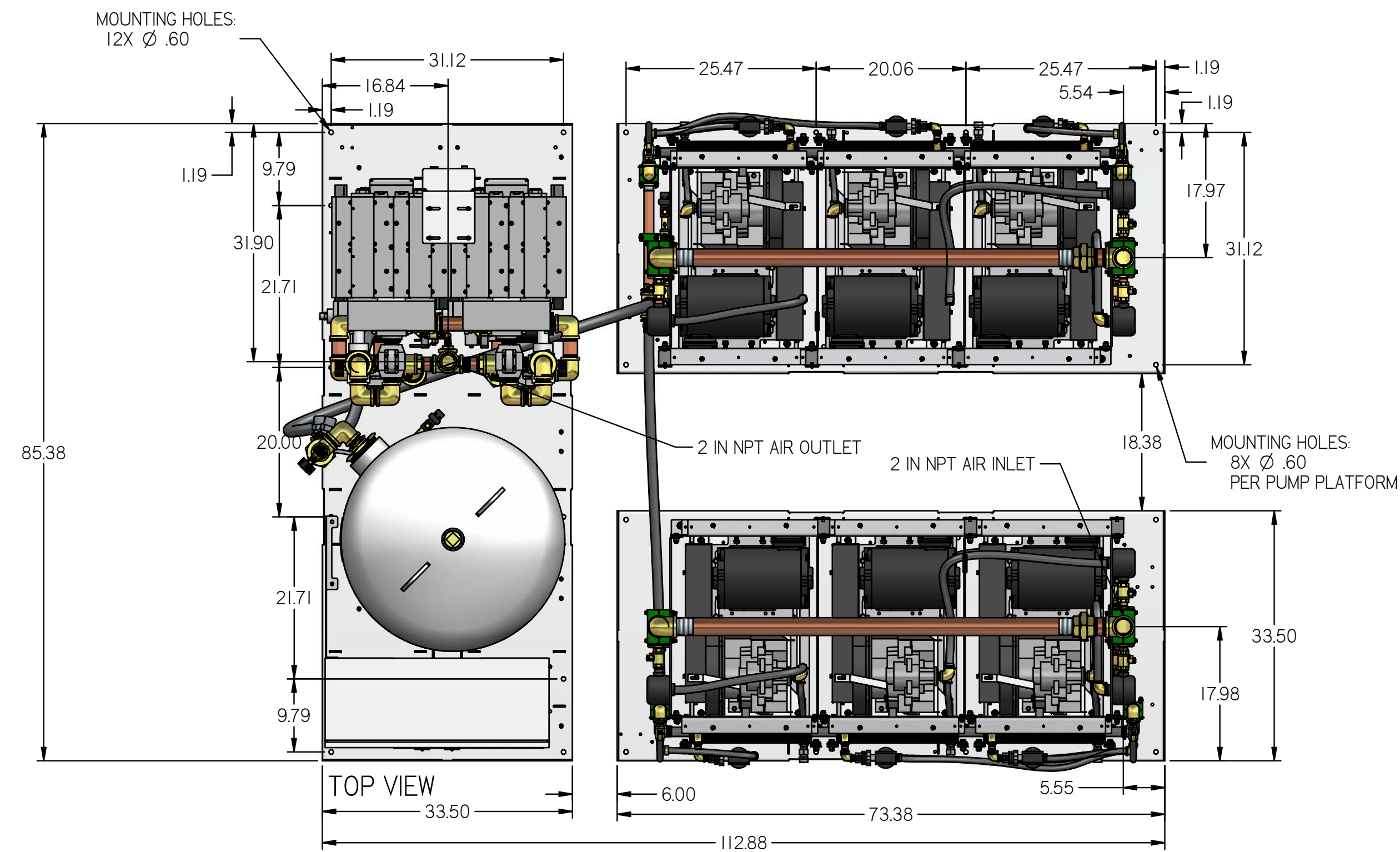


REVISION NOTES		
DESCRIPTION	ECN	PR/NOR
PRODUCTION RELEASE	PXEC0169	N/A

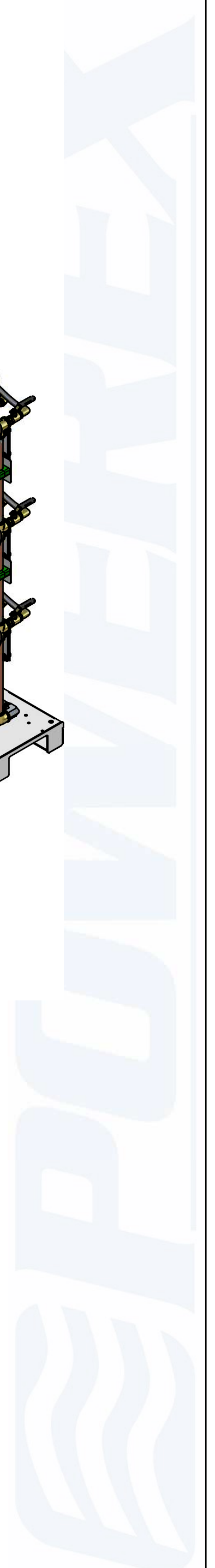
# MSHI5A6

MED SCROLL 15 HP  
HEXAPLEX WITH 240 GALLON  
AIR RECIEVER  
PREMIUM PANEL



- NOTES:
- APPROX SYSTEM WEIGHT: 7814 LB
  - 24" MINIMUM MAINTENANCE CLEARANCE RECOMMENDED ALL SIDES. CLEARANCE FOR CONTROL PANEL SHALL BE IN ACCORDANCE WITH OSHA/NEC REQUIREMENTS

SYMBOL LEGEND		DRAWINGS TO CONFORM TO CURRENT REVISION OF THE FOLLOWING ANSI STANDARDS:		
TOLERANCES NOT SPECIFIED	SOLID EDGE DRAWING	DO NOT SCALE DRAWING FOR DIMENSIONS		
0.XXX ± .01	INCH	SHEET 1 OF 5	SCALE	1:14.29
0.XXX ± .005				
± .5				
<small>CONFIDENTIAL DISCLOSURE</small> This drawing is the property of POWEREX of the SCOTT FETTER COMPANY and is subject to return on demand. Its contents are confidential and must not be copied or submitted to outside parties for use or examination.		AUTHOR	ORIGINATION DATE	APPROVALS ON FILE IN PLM
DRAWING NUMBER: 716626 MATERIAL: SEE PART DRAWINGS		ASoulek	10/30/2016	
DESCRIPTION: MED SCROLL 15 HP HEXAPLEX WITH 240 GALLON AIR RECIEVER		DRAWING NUMBER: MSHI5A6	REVISION: B	SIZE: D



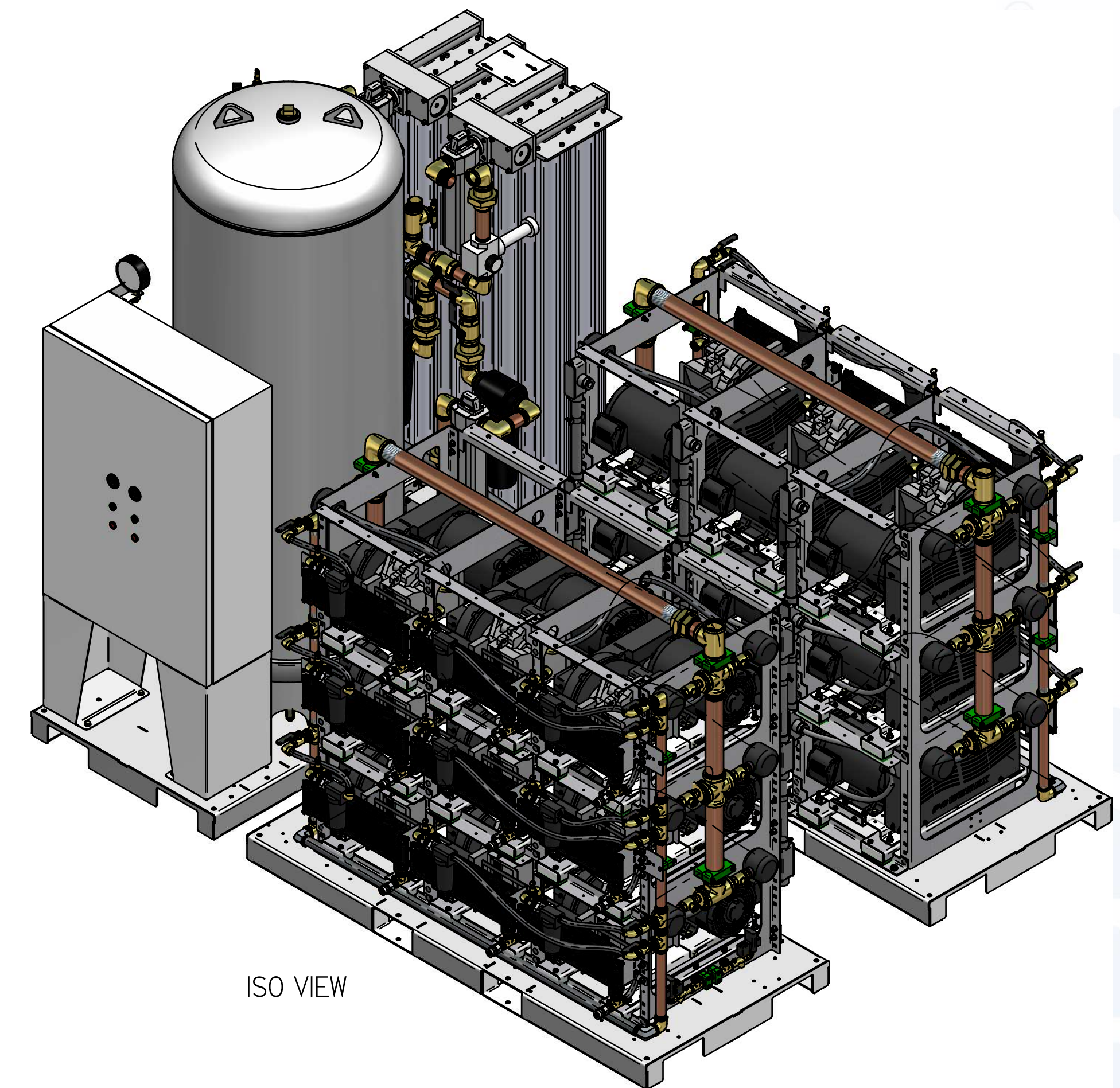
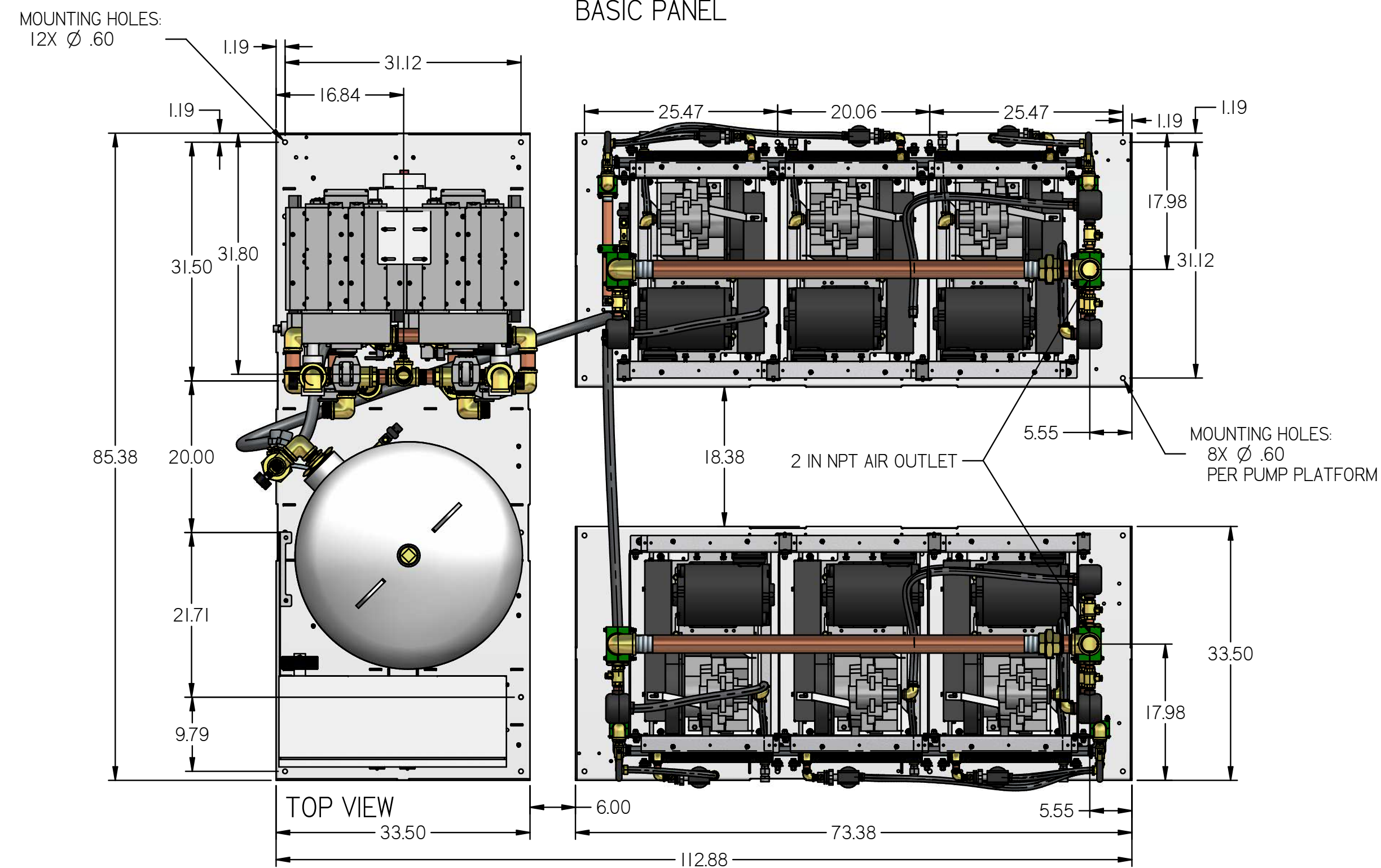


REVISION NOTES		
DESCRIPTION	ECN	PR/NOR
PRODUCTION RELEASE	PXECO169	N/A

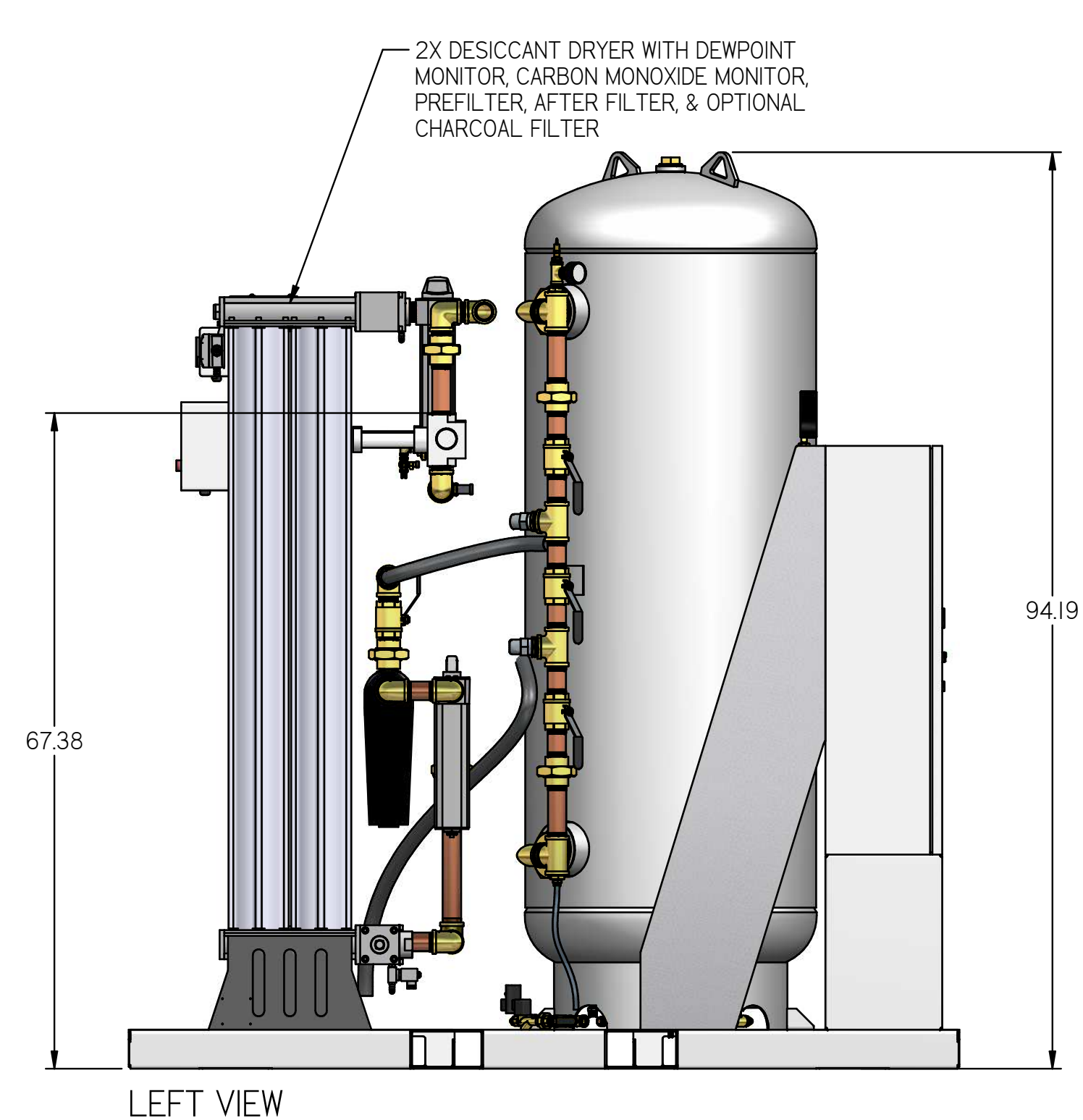
# MSH15A6

## MED SCROLL 15 HP HEXAPLEX WITH 240 GALLON AIR RECIEVER

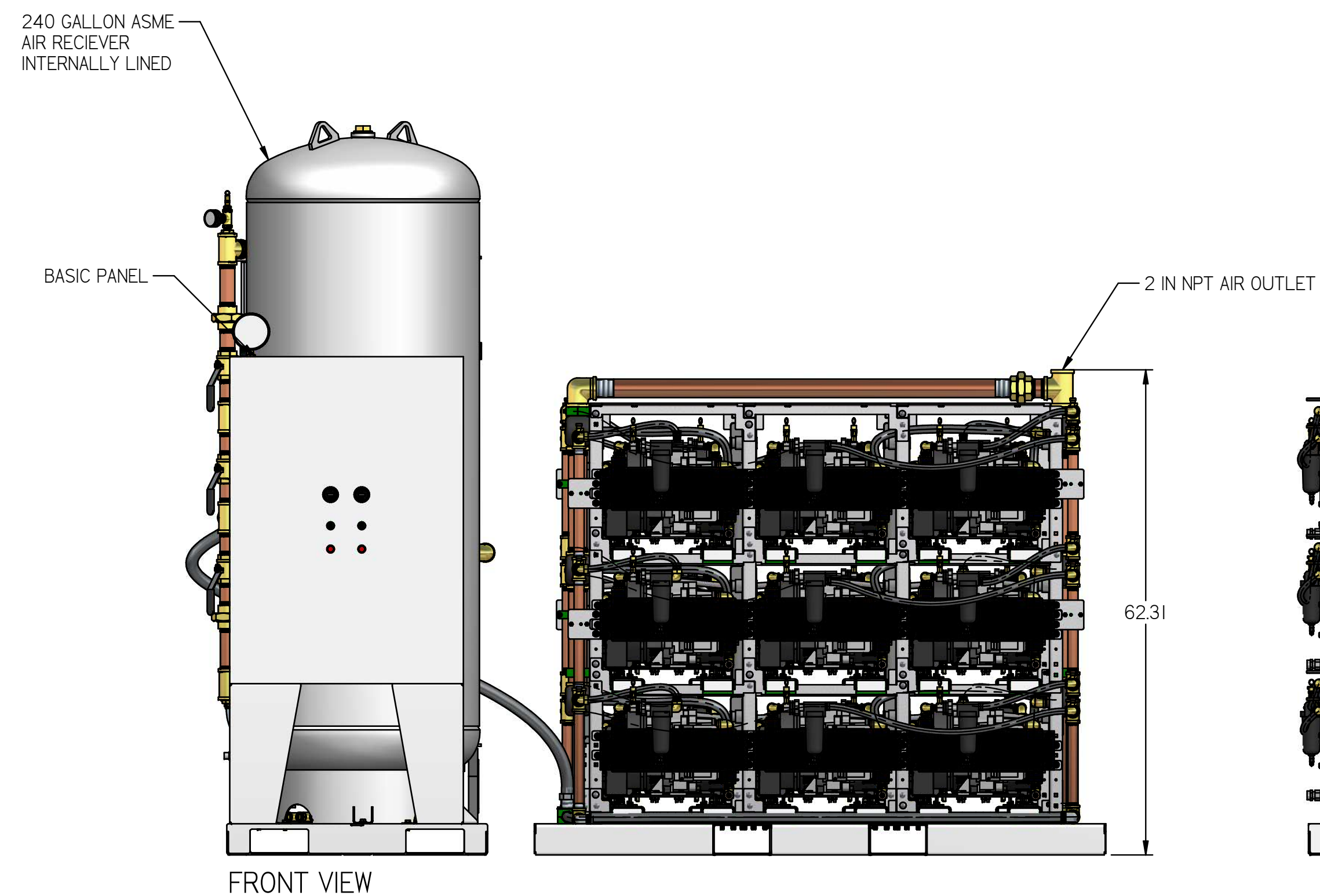
### BASIC PANEL



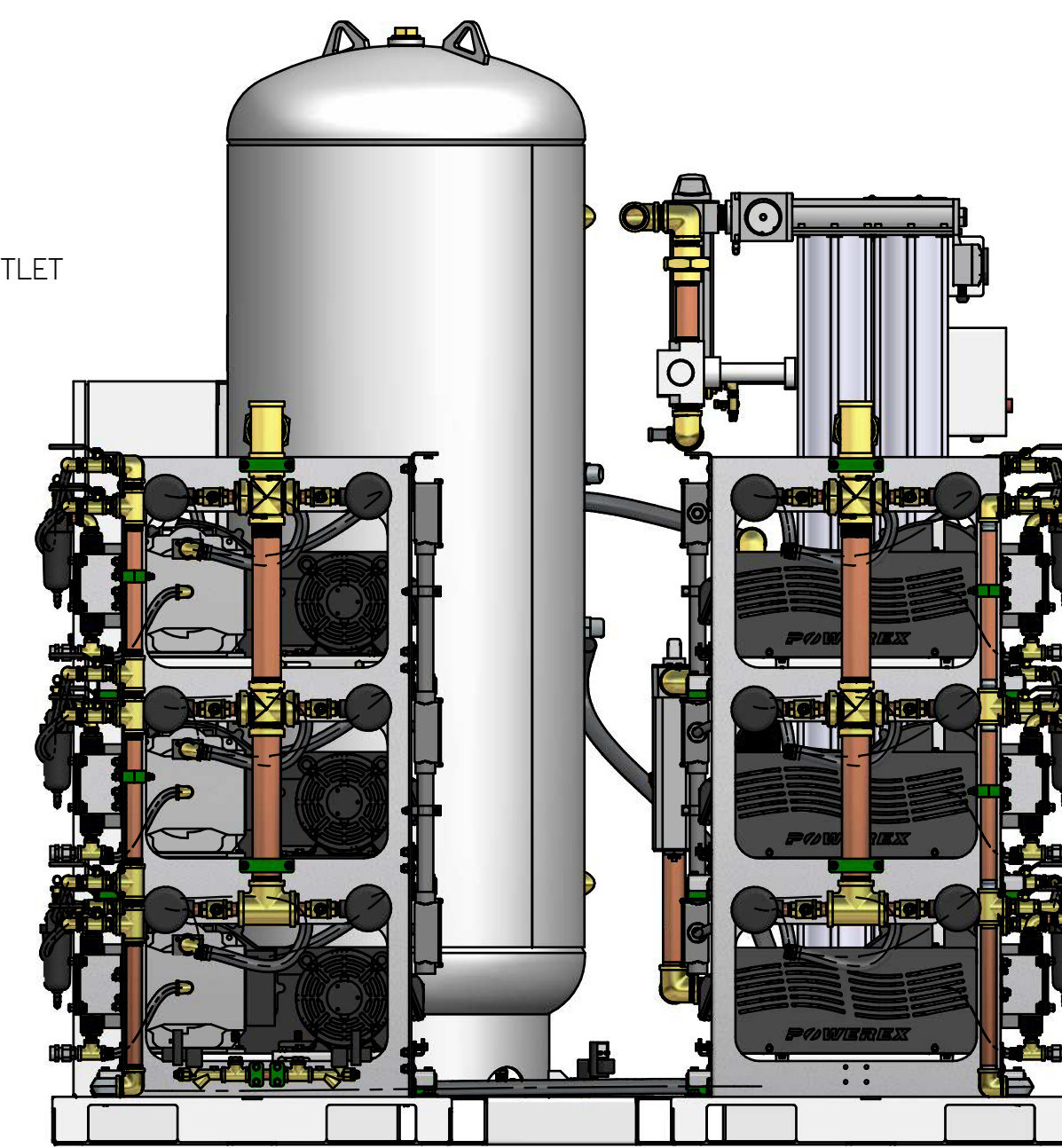
ISO VIEW



LEFT VIEW



FRONT VIEW



RIGHT VIEW

- NOTES:  
 1. APPROX SYSTEM WEIGHT: 7814 LB  
 2. 24" MINIMUM MAINTENANCE CLEARANCE RECOMMENDED  
 ALL SIDES. CLEARANCE FOR CONTROL PANEL SHALL BE IN ACCORDANCE WITH OSHA/NEC REQUIREMENTS

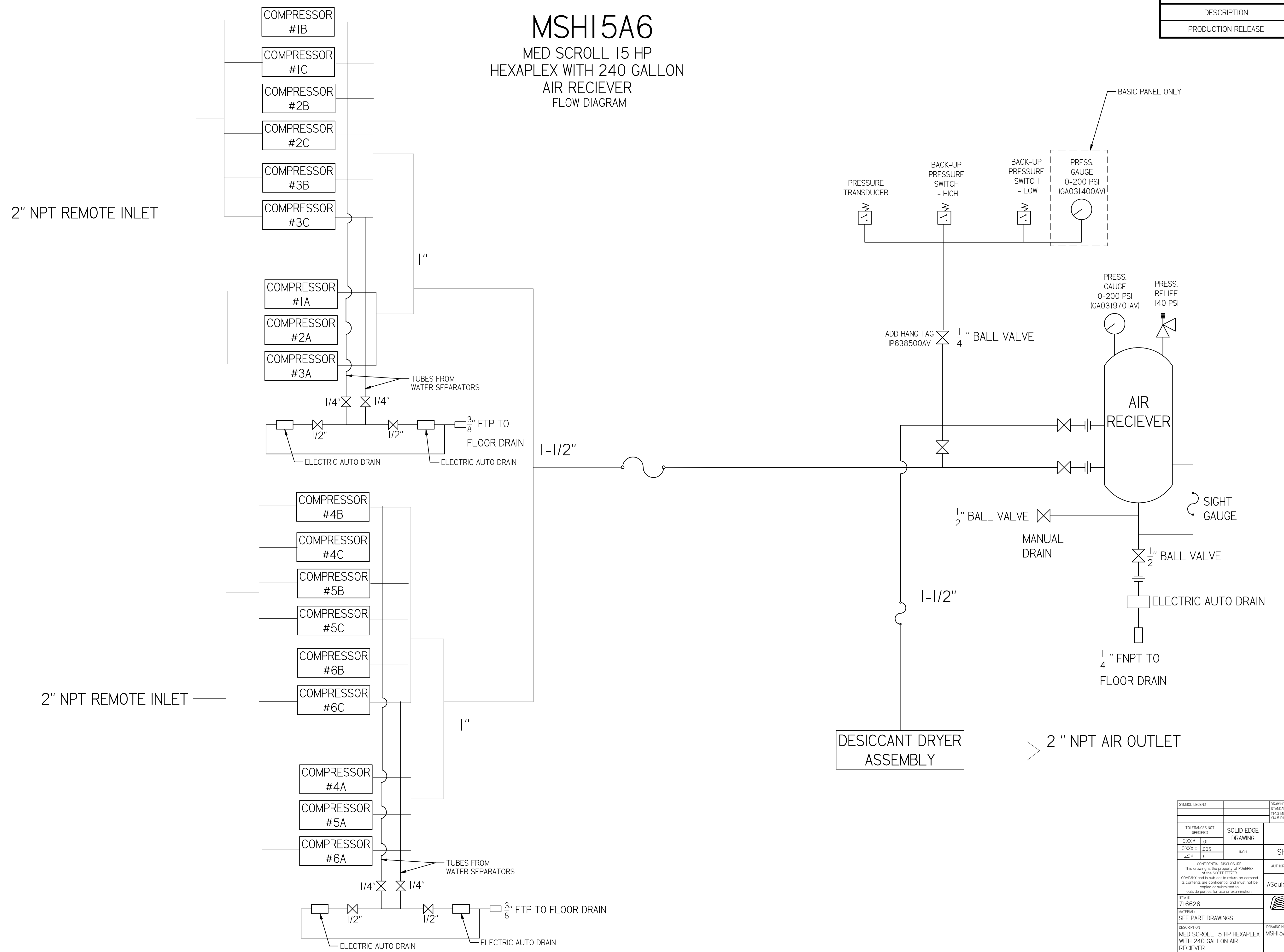
SYMBOL LEGEND		DRAWINGS TO CONFORM TO CURRENT REVISION OF THE FOLLOWING ANSI STANDARDS:		
		Y14.3 MULTI AND SECTIONAL VIEW DWGS Y14.5 DIMENSIONING AND TOLERANCING		
TOLERANCES NOT SPECIFIED	SOLID EDGE DRAWING	DO NOT SCALE DRAWING FOR DIMENSIONS		
0.XXX ± .01				
0.XXX ± .005	INCH	SHEET 2 OF 5	SCALE	1:14.29
CONFIDENTIAL DISCLOSURE: This drawing is the property of POWEREX of the SCOTT FETTER COMPANY and is subject to return on demand. Its contents are confidential and must not be copied or submitted to outside parties for use or examination.		AUTHOR	ORIGINATION DATE	APPROVALS ON FILE IN PLM
ITEM NO: 716626		ASoulek	10/30/2016	
MATERIAL: SEE PART DRAWINGS				
DESCRIPTION: MED SCROLL 15 HP HEXAPLEX WITH 240 GALLON AIR RECIEVER		DRAWING NUMBER: MSH15A6	REVISION: B	SIZE: D



REVISION NOTES		
DESCRIPTION	ECN	PR/NOR
PRODUCTION RELEASE	PXECO169	N/A

# MSHI5A6

MED SCROLL 15 HP  
HEXAPLEX WITH 240 GALLON  
AIR RECIEVER  
FLOW DIAGRAM

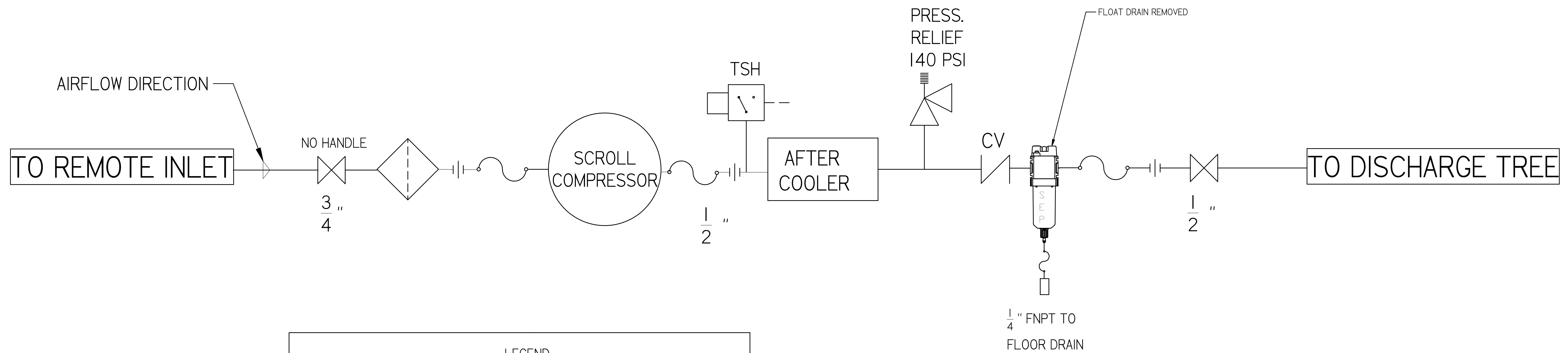


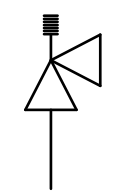
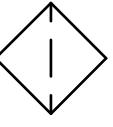
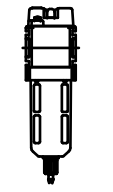

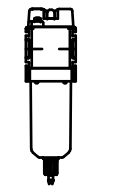

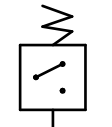
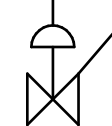
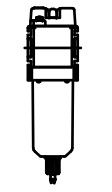


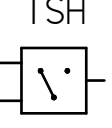
SYMBOL LEGEND		DRAWINGS TO CONFORM TO CURRENT REVISION OF THE FOLLOWING ANSI STANDARDS: Y14.3 MULTI AND SECTIONAL VIEW DIMS Y14.5 DIMENSIONING AND TOLERANCING	
TOLERANCES NOT SPECIFIED	SOLID EDGE DRAWING	DO NOT SCALE DRAWING FOR DIMENSIONS	
0.XXX ± .01	INCH	SHEET 3 OF 5	SCALE 1:1
0.XXX ± .005			
CONFIDENTIAL DISCLOSURE This drawing is the property of POWEREX of the SCOTT FETTER COMPANY and is subject to return on demand. Its contents are confidential and must not be copied or submitted to outside parties for use or examination.		AUTHOR	APPROVALS ON FILE IN PLM
ITEM # 716626		ASoulek	10/30/2018
MATERIAL SEE PART DRAWINGS			
DESCRIPTION MED SCROLL 15 HP HEXAPLEX WITH 240 GALLON AIR RECIEVER		DRAWING NUMBER MSHI5A6	REVISION B D

REVISION NOTES		
DESCRIPTION	ECN	PR/NOR
PRODUCTION RELEASE	PXECO169	N/A

# MSHI5A6

MED SCROLL 15 HP  
HEXAPLEX WITH 240 GALLON  
AIR RECIEVER  
MEDICAL COMPRESSOR  
FLOW DIAGRAM



LEGEND	
	RELIEF VALVE
	INTAKE FILTER
	AIR FILTER
	3 WAY VALVE
	CARBON FILTER
	BALL VALVE
	PRESSURE SWITCH
	REGULATOR
	SEPARATOR
	CHECK VALVE
	FLEX LINE
	TSH HIGH TEMP SWITCH

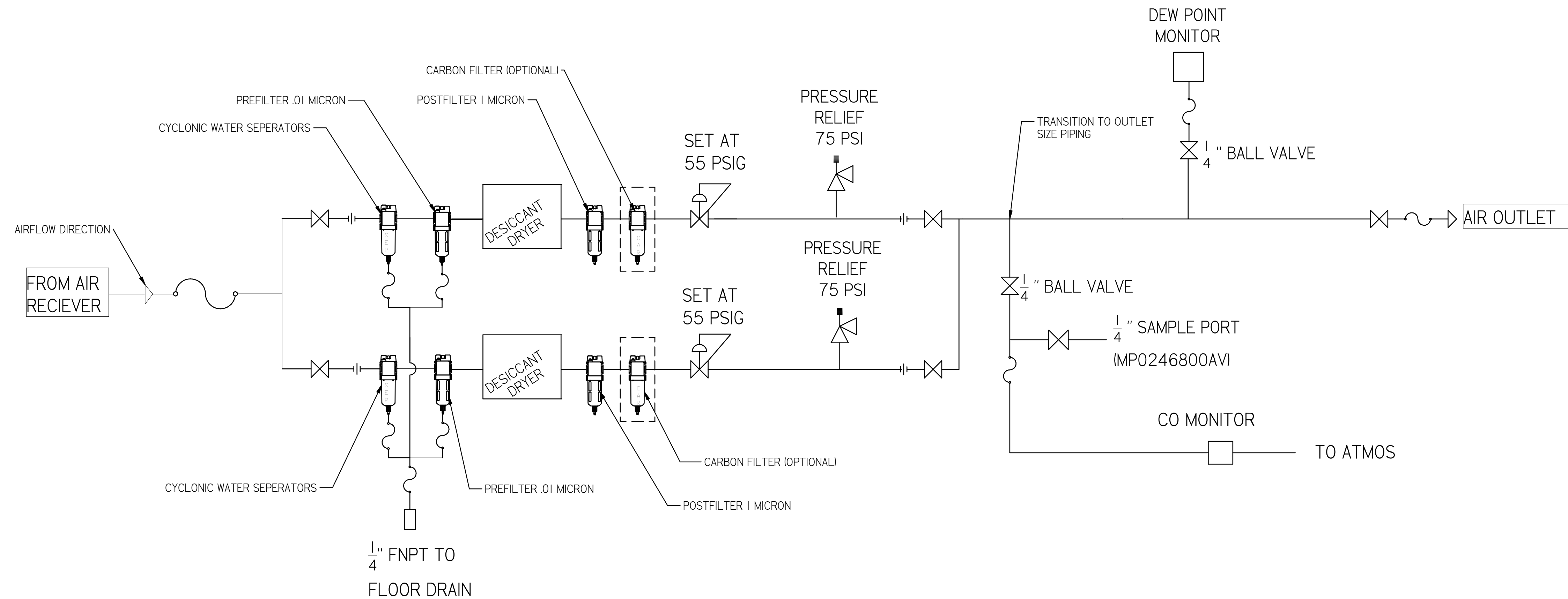
SYMBOL LEGEND		DRAWINGS TO CONFORM TO CURRENT REVISION OF THE FOLLOWING ANSI STANDARDS:	
		Y14.3 MULTI AND SECTIONAL VIEW DWGS Y14.5 DIMENSIONING AND TOLERANCING	
TOLERANCES NOT SPECIFIED:	SOLID EDGE DRAWING	DO NOT SCALE DRAWING FOR DIMENSIONS	
0.XXX ± .01	INCH	SHEET 4 OF 5	SCALE 1:1
0.XXX ± .005			
0.005 ± .005			
<small>CONFIDENTIAL DISCLOSURE</small> This drawing is the property of POWEREX of the SCOTT FETTER COMPANY and is subject to return on demand. Its contents are confidential and must not be copied or submitted to outside parties for use or examination.		AUTHOR	APPROVALS ON FILE IN PLM
DRAWN BY: 716626 MATERIAL: SEE PART DRAWINGS		ASoulek	10/30/2018
DESCRIPTION: MED SCROLL 15 HP HEXAPLEX WITH 240 GALLON AIR RECIEVER		DRAWING NUMBER: MSHI5A6	REVISION: B D



REVISION NOTES		
DESCRIPTION	ECN	PR/NOR
PRODUCTION RELEASE	PXECO169	N/A

# MSHI5A6

MED SCROLL 15 HP  
HEXAPLEX WITH 240 GALLON  
AIR RECIEVER  
MEDICAL DRYER  
FLOW DIAGRAM



PIPE SIZE CHART		
PUMP COUNT	DRYER PLUMBING SIZE	OUTLET PIPE SIZE
2	1/2"	1/2"
3	1/2"	1"
4	1/2"	1"
6	1"	1-1/2"
8	1"	1-1/2"
9	1"	1-1/2"
12	1-1/2"	2"
15	1-1/2"	2"
18	1-1/2"	2"

SYMBOL LEGEND		DRAWINGS TO CONFORM TO CURRENT REVISION OF THE FOLLOWING ANSI STANDARDS: Y14.3 MULTI AND SECTIONAL VIEW DIMS Y14.5 DIMENSIONING AND TOLERANCING	
TOLERANCES NOT SPECIFIED	SOLID EDGE DRAWING	DO NOT SCALE DRAWING FOR DIMENSIONS	
0.XXX ± .01	INCH	SHEET 5 OF 5	SCALE 1:1
0.XXX ± .005			
± .5			
<small>CONFIDENTIAL DISCLOSURE</small> This drawing is the property of POWEREX of the SCOTT FETTER COMPANY and is subject to return on demand. Its contents are confidential and must not be copied or submitted to outside parties for use or examination.		AUTHOR	ORIGINATION DATE
		ASoulek	10/30/2018
TITLE: <b>716626</b>			
MATERIAL: SEE PART DRAWINGS			
DESCRIPTION: MED SCROLL 15 HP HEXAPLEX WITH 240 GALLON AIR RECIEVER		DRAWING NUMBER: MSHI5A6	REVISION: B
			SIZE: D

