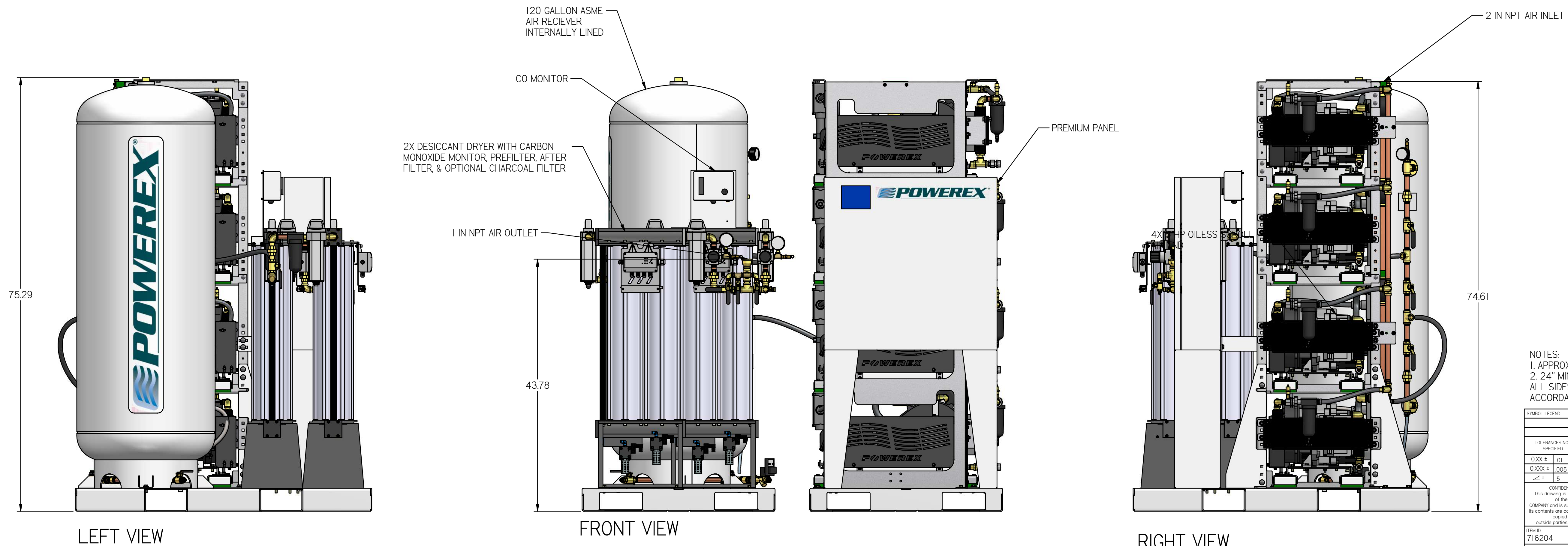
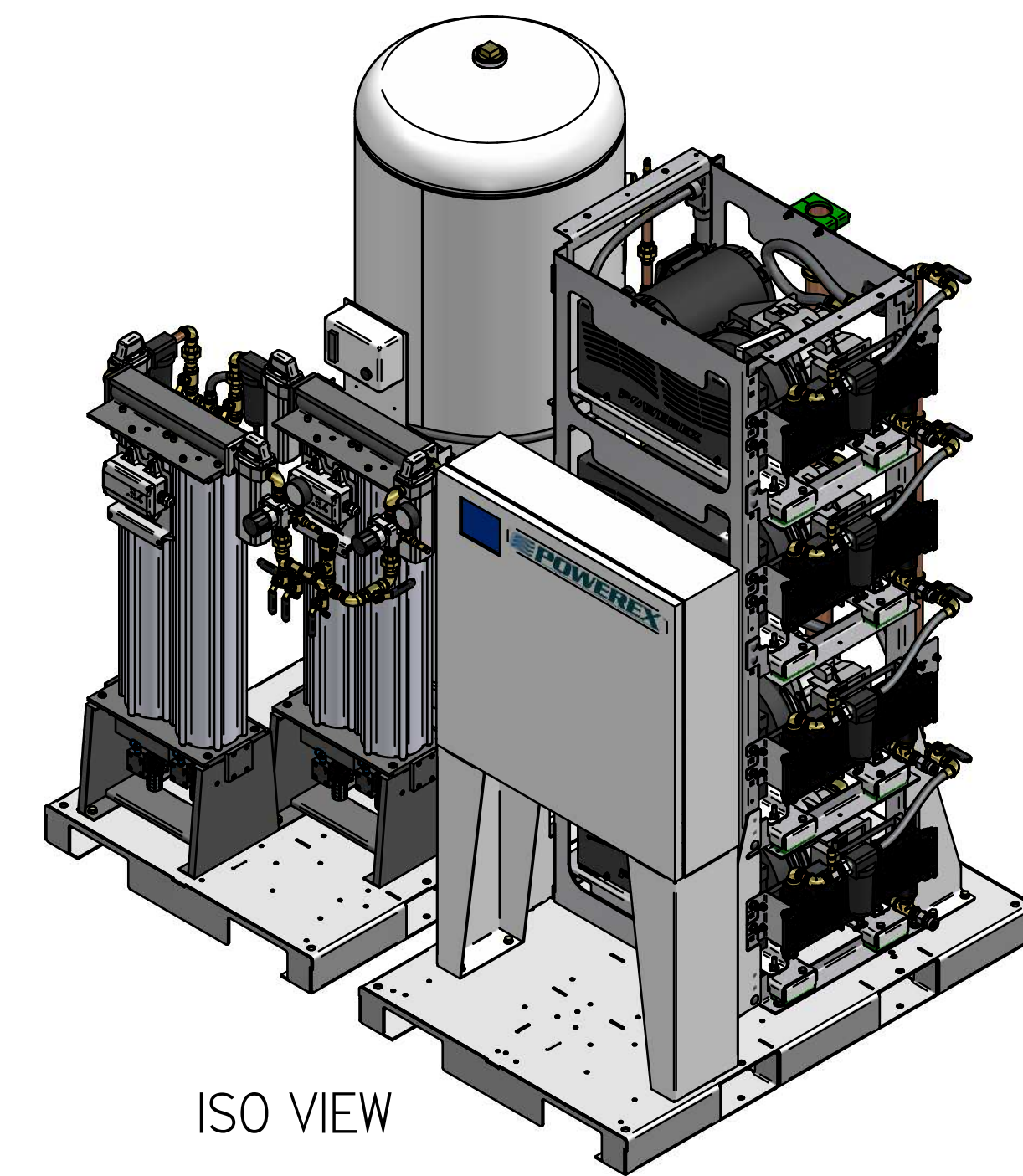
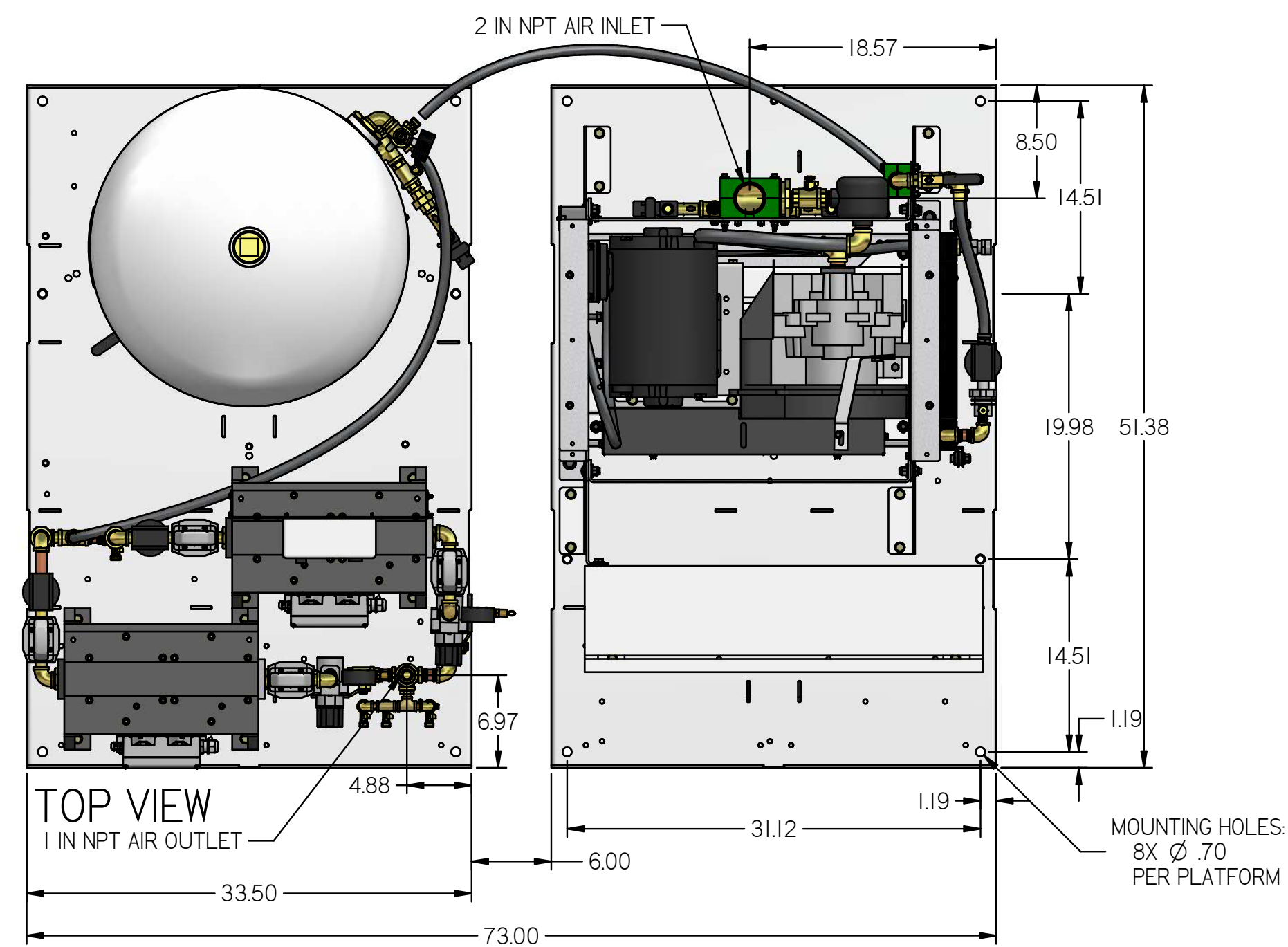


REVISION NOTES		
DESCRIPTION	ECN	PR/NOR
PRODUCTION RELEASE	PXECO169	N/A

MSQ05A4

MEDICAL OPEN SCROLL
SYSTEM 5 HP QUAD WITH
120 GALLON TANK
PREMIUM PANEL



- NOTES:
- APPROX SYSTEM WEIGHT: 2178 LB
 - 24" MINIMUM MAINTENANCE CLEARANCE RECOMMENDED ALL SIDES. CLEARANCE FOR CONTROL PANEL SHALL BE IN ACCORDANCE WITH OSHA/NEC REQUIREMENTS

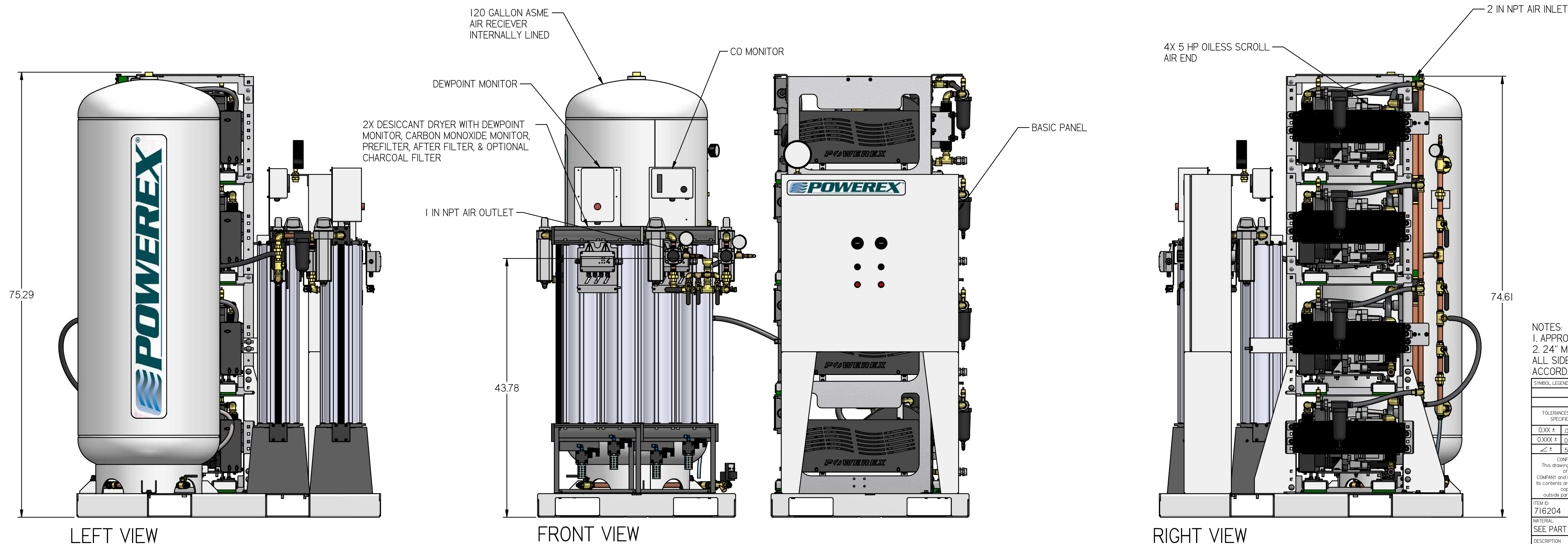
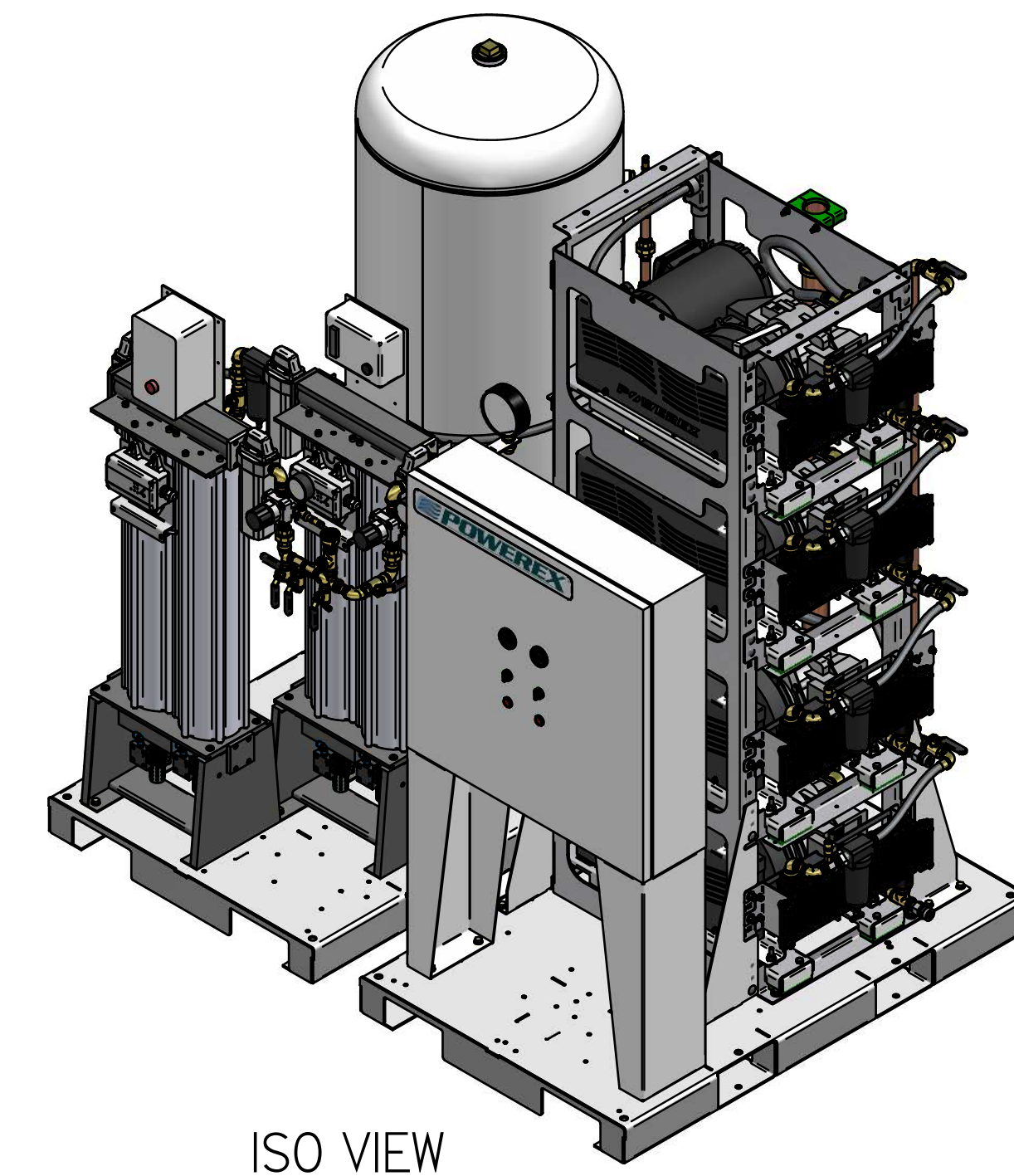
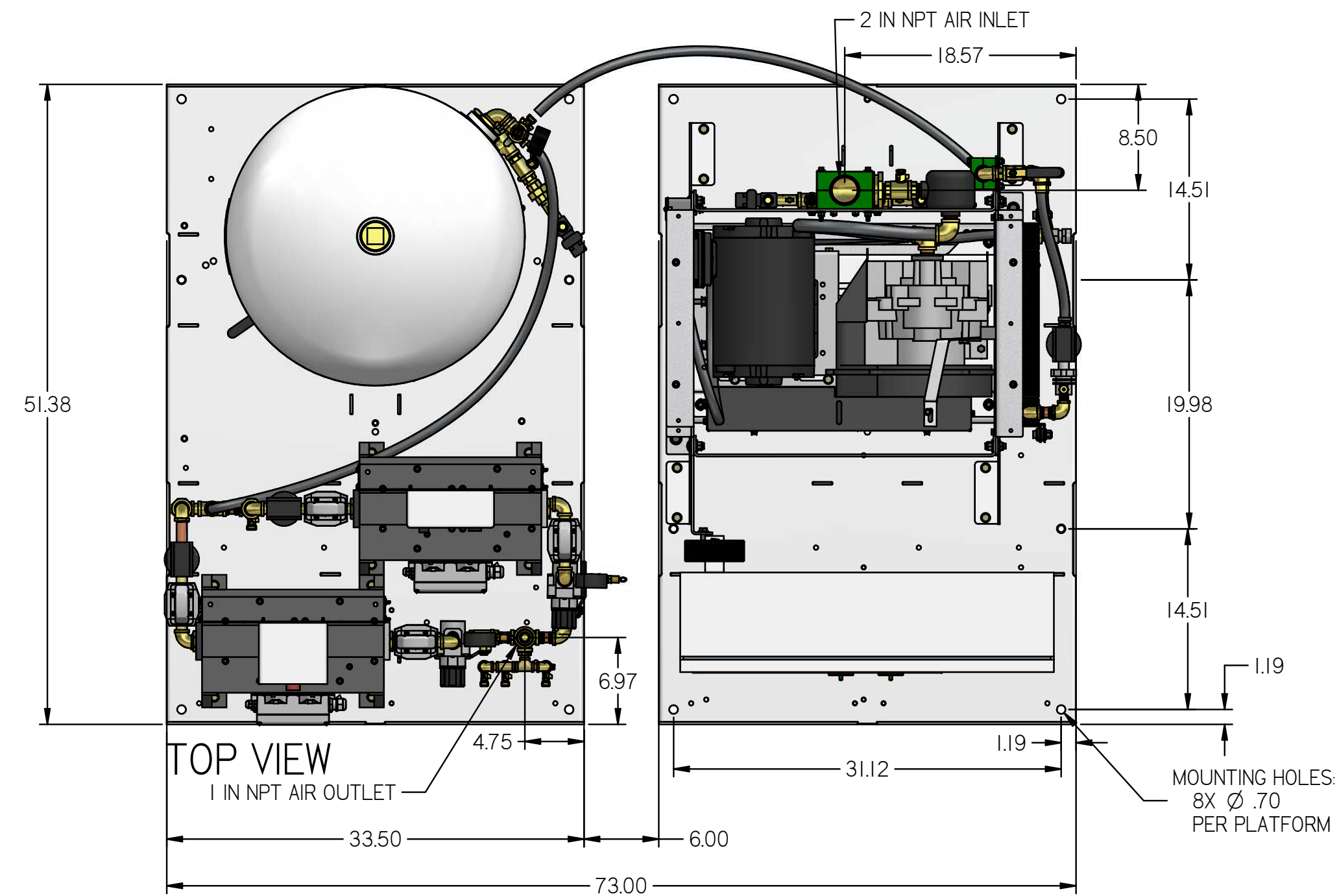
SYMBOL LEGEND		DRAWINGS TO CONFORM TO CURRENT REVISION OF THE FOLLOWING ANSI STANDARDS:		
TOLERANCES NOT SPECIFIED	SOLID EDGE DRAWING	DO NOT SCALE DRAWING FOR DIMENSIONS		
0.XXX ± .01	INCH	SHEET 1 OF 5	SCALE	1:10
0.XXX ± .005				
CONFIDENTIAL DISCLOSURE: This drawing is the property of POWEREX of the SCOTT FETTER COMPANY and is subject to return on demand. Its contents are confidential and must not be copied or submitted to outside parties for use or examination.		AUTHOR	ORIGINATION DATE	APPROVALS ON FILE IN PLM
716204		ASoulek	10/11/2018	
MATERIAL: SEE PART NOTES				
DESCRIPTION: MEDICAL OPEN SCROLL SYSTEM 5 HP QUAD WITH 120 GALLON TANK		DRAWING NUMBER: MSQ05A4	REVISION: A	SIZE: D

REVISION NOTES		
DESCRIPTION	ECN	PR/NOR
PRODUCTION RELEASE	PXECO169	N/A

MSQ05A4

MEDICAL OPEN SCROLL
SYSTEM 5 HP QUAD WITH
120 GALLON TANK

BASIC PANEL



- NOTES:
1. APPROX SYSTEM WEIGHT: 2178 LB
2. 24" MINIMUM MAINTENANCE CLEARANCE RECOMMENDED
ALL SIDES. CLEARANCE FOR CONTROL PANEL SHALL BE IN
ACCORDANCE WITH OSHA/NEC REQUIREMENTS

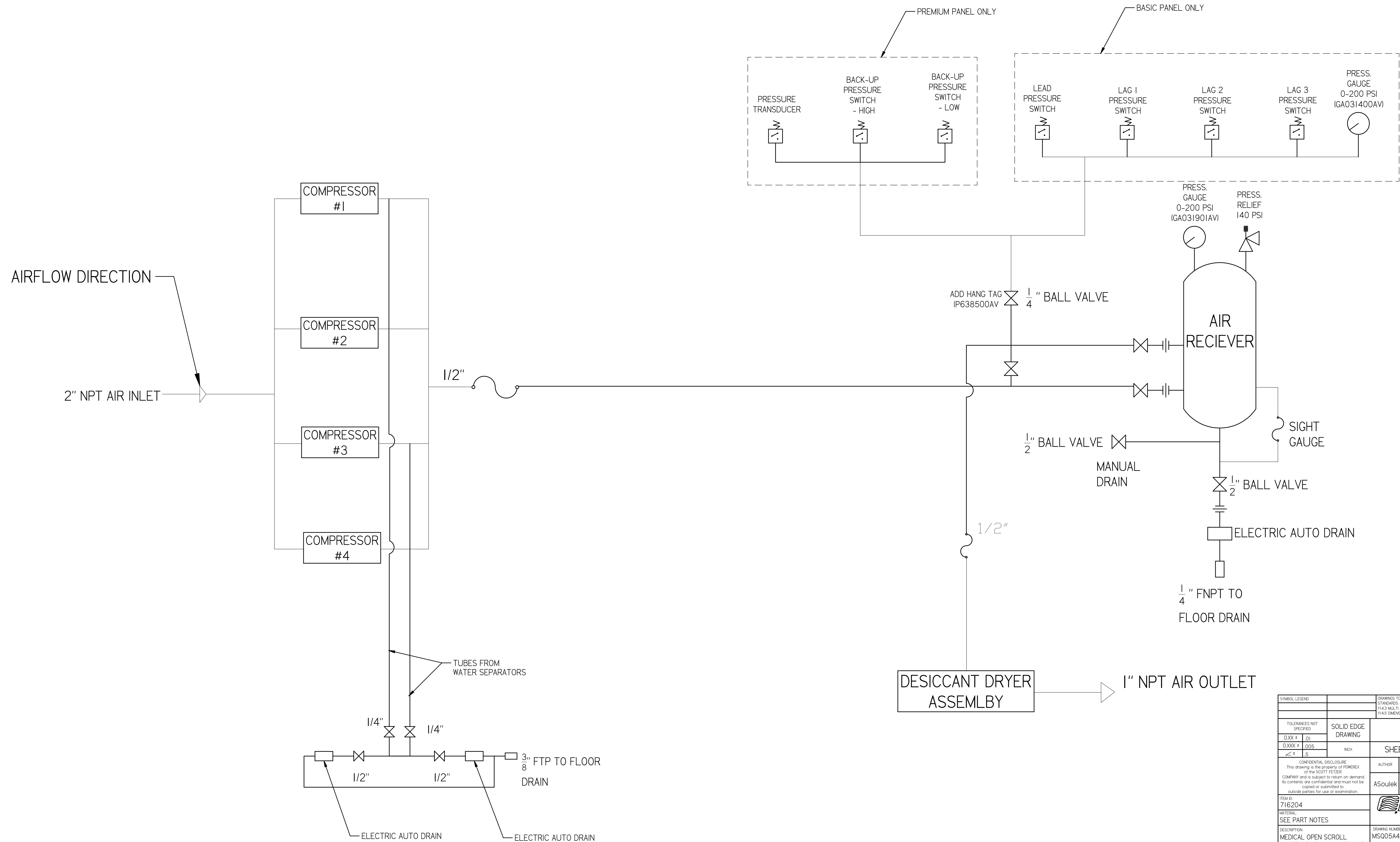
SYMBOL LEGEND		DRAWINGS TO CONFORM TO CURRENT REVISION OF THE FOLLOWING ANSI STANDARDS:	
TOLERANCES NOT SPECIFIED	SOLID EDGE DRAWING	Y14.3 MULTI AND SECTIONAL VIEW DIMS	DO NOT SCALE DRAWING FOR DIMENSIONS
0.XXX ± .01		Y14.5 DIMENSIONING AND TOLERANCING	
0.XXX ± .005	INCH	SHEET 2 OF 5	SCALE 1:10
∠ ± .5			
<small>CONFIDENTIAL DISCLOSURE</small> This drawing is the property of POWEREX of the SCOTT FETTER COMPANY and is subject to return on demand. Its contents are confidential and must not be copied or submitted to outside parties for use or examination.		AUTHOR	APPROVALS ON FILE IN PLM
TITLE: 716204 MATERIAL: SEE PART NOTES		ORIGINATION DATE	
DESCRIPTION: MEDICAL OPEN SCROLL SYSTEM 5 HP QUAD WITH 120 GALLON TANK		ASoulek	10/11/2018
DRAWING NUMBER: MSQ05A4		REVISION	SIZE
		A	D



REVISION NOTES		
DESCRIPTION	ECN	PR/NOR
PRODUCTION RELEASE	PXECO169	N/A

MSQ05A4

MEDICAL OPEN SCROLL
SYSTEM 5 HP QUAD WITH
120 GALLON TANK
SYSTEM
FLOW DIAGRAM

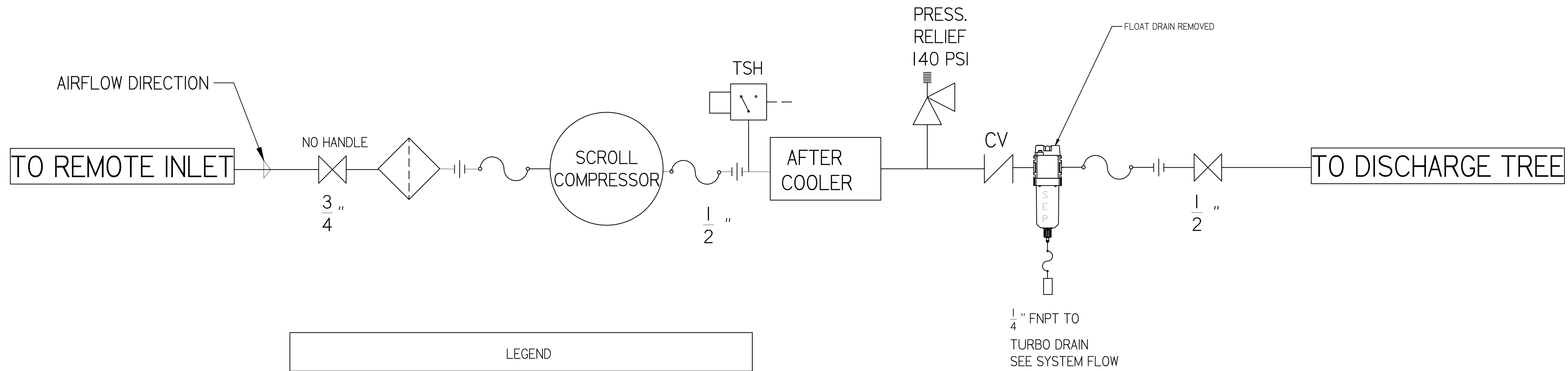


SYMBOL LEGEND		DRAWINGS TO CONFORM TO CURRENT REVISION OF THE FOLLOWING ANSI STANDARDS:	
TOLERANCES NOT SPECIFIED	SOLID EDGE DRAWING	Y14.3 MULTI-VIEW AND SECTIONAL VIEW DIMS	
0.001 ± .001	INCH	Y14.5 DIMENSIONING AND TOLERANCING	
0.005 ± .005		DO NOT SCALE DRAWING FOR DIMENSIONS	
CONFIDENTIAL DISCLOSURE: This drawing is the property of POWEREX or the SCOTT FETTER COMPANY and is subject to return on demand. Its contents are confidential and must not be copied or submitted to outside parties for use or examination.		SHEET 3 OF 5	SCALE 1:1
ITEM NO: 716204	AUTHOR: ASoulek	ORIGINATION DATE: 10/11/2018	APPROVALS ON FILE IN PLM
MATERIAL: SEE PART NOTES			
DESCRIPTION: MEDICAL OPEN SCROLL SYSTEM 5 HP QUAD WITH 120 GALLON TANK	DRAWING NUMBER: MSQ05A4	REVISION: A	SIZE: D

REVISION NOTES		
DESCRIPTION	ECN	PR/NOR
PRODUCTION RELEASE	PXECO169	N/A

MSQ05A4

MEDICAL OPEN SCROLL
SYSTEM 5 HP QUAD WITH
120 GALLON TANK
MEDICAL COMPRESSOR
FLOW DIAGRAM



LEGEND	
	RELIEF VALVE
	INTAKE FILTER
	AIR FILTER
	3 WAY VALVE
	CARBON FILTER
	BALL VALVE
	PRESSURE SWITCH
	REGULATOR
	SEPARATOR
	CHECK VALVE
	FLEX LINE
	TSH HIGH TEMP SWITCH

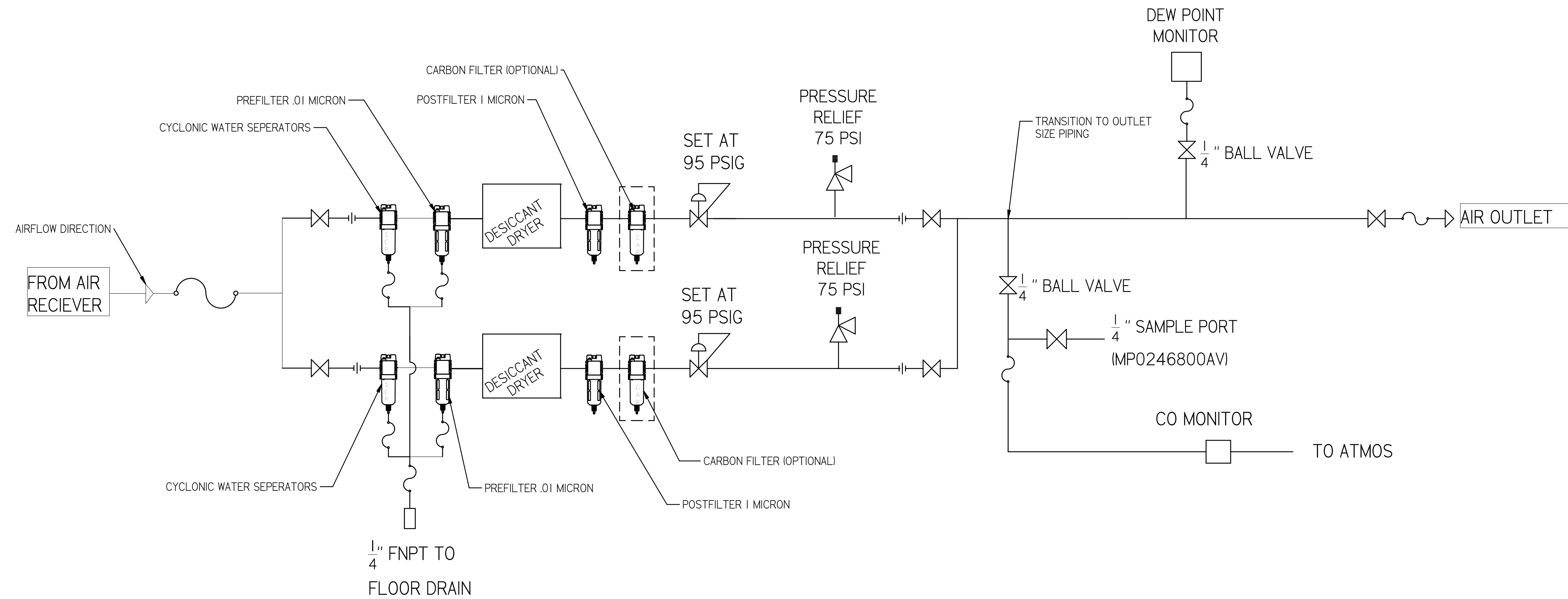
SYMBOL LEGEND		DRAWINGS TO CONFORM TO CURRENT REVISION OF THE FOLLOWING ANSI STANDARDS:	
		Y14.3 MULTI AND SECTIONAL VIEW DIMS Y14.5 DIMENSIONING AND TOLERANCING	
TOLERANCES NOT SPECIFIED	SOLID EDGE DRAWING	DO NOT SCALE DRAWING FOR DIMENSIONS	
0.001 ± .001		SHEET 4 OF 5	SCALE 1:1
0.005 ± .005	INCH		
<small>CONFIDENTIAL DISCLOSURE</small> This drawing is the property of POWEREX of the SCOTT FETTER COMPANY and is subject to return on demand. Its contents are confidential and must not be copied or submitted to outside parties for use or examination.		AUTHOR	APPROVALS ON FILE IN PLM
TITLE: 716204 MATERIAL: SEE PART NOTES		ASoulek	10/11/2018
DESCRIPTION: MEDICAL OPEN SCROLL SYSTEM 5 HP QUAD WITH 120 GALLON TANK		DRAWING NUMBER: MSQ05A4	REVISION: A SIZE: D



REVISION NOTES		
DESCRIPTION	ECN	PR/NOR
PRODUCTION RELEASE	PXECO169	N/A

MSQ05A4

MEDICAL OPEN SCROLL
SYSTEM 5 HP QUAD WITH
120 GALLON TANK
MEDICAL DRYER
FLOW DIAGRAM



PUMP COUNT	DRYER PLUMBING SIZE	OUTLET PIPE SIZE
2	1/2"	1/2"
3	1/2"	1"
4	1/2"	1"
6	1"	1-1/2"
8	1"	1-1/2"
9	1"	1-1/2"
12	1-1/2"	2"
15	1-1/2"	2"
18	1-1/2"	2"

SYMBOL LEGEND		DRAWINGS TO CONFORM TO CURRENT REVISION OF THE FOLLOWING ANSI STANDARDS: #14.3 MULTI AND SECTIONAL VIEW DIMS #14.5 DIMENSIONING AND TOLERANCING	
TOLERANCES NOT SPECIFIED	SOLID EDGE DRAWING	DO NOT SCALE DRAWING FOR DIMENSIONS	
0.XXX ± .01	INCH	SHEET 5 OF 5	SCALE 1:1
0.XXX ± .005			
± .5			
<small>CONFIDENTIAL DISCLOSURE</small> This drawing is the property of POWEREX or the SCOTT FETTER COMPANY and is subject to return on demand. Its contents are confidential and must not be copied or submitted to outside parties for use or examination.		AUTHOR	ORIGINATION DATE
<small>CONFIDENTIAL DISCLOSURE</small> This drawing is the property of POWEREX or the SCOTT FETTER COMPANY and is subject to return on demand. Its contents are confidential and must not be copied or submitted to outside parties for use or examination.		ASoulek	10/11/2018
<small>CONFIDENTIAL DISCLOSURE</small> This drawing is the property of POWEREX or the SCOTT FETTER COMPANY and is subject to return on demand. Its contents are confidential and must not be copied or submitted to outside parties for use or examination.			
<small>CONFIDENTIAL DISCLOSURE</small> This drawing is the property of POWEREX or the SCOTT FETTER COMPANY and is subject to return on demand. Its contents are confidential and must not be copied or submitted to outside parties for use or examination.		150 PRODUCTION DRIVE, HARRISON OH 45030 (888) 768-7079	
DESCRIPTION	DRAWING NUMBER	REVISION	SIZE
MEDICAL OPEN SCROLL SYSTEM 5 HP QUAD WITH 120 GALLON TANK	MSQ05A4	A	D