

REV	ZONE	REVISION	DATE	ECN	NAME	CHKD
B-1	ALL	RELEASE TO PRODUCTION	2/23/15	PKEC0057	JBE	AEK
C-1	2 M-D4	CORRECTED PUMP SRV LOCATION	8/18/15	PKEC0159	AEK	GES
D-1	2 ALL 2 ALL 1 ALL 1 ALL	CORRECTED SEPARATOR DRAIN LINES TO 1/4" ADDED NOTE TO REMOVE SEPARATOR FLOAT ADDED OUTLINE FOR RECOMMENDED CLEARANCES UPDATED INLET TREE	1/21/17	PKEC0167	MJD	GES

MINIMUM RECOMMENDED ELECTRICAL PANEL CLEARANCE PER OSHA/NEC REQUIREMENTS

MINIMUM RECOMMENDED MAINTENANCE CLEARANCE

200 GALLON ASME AIR RECEIVER INTERNALLY LINED

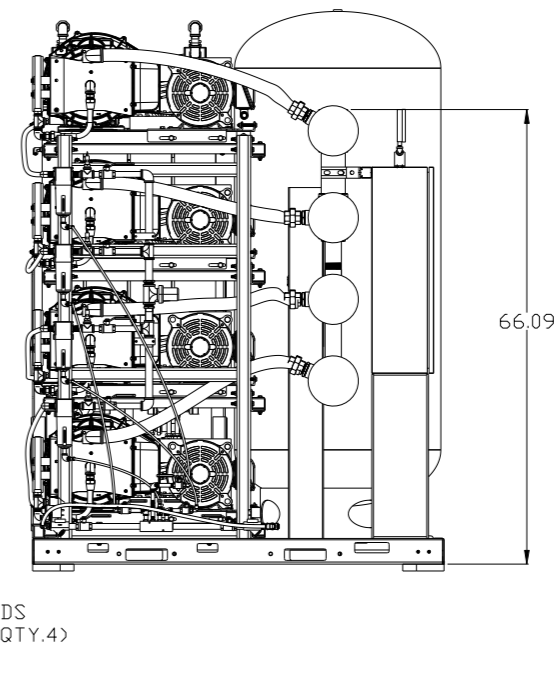
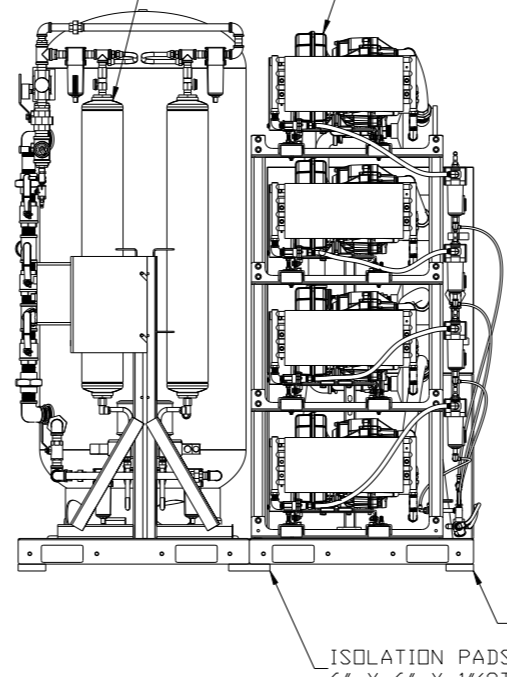
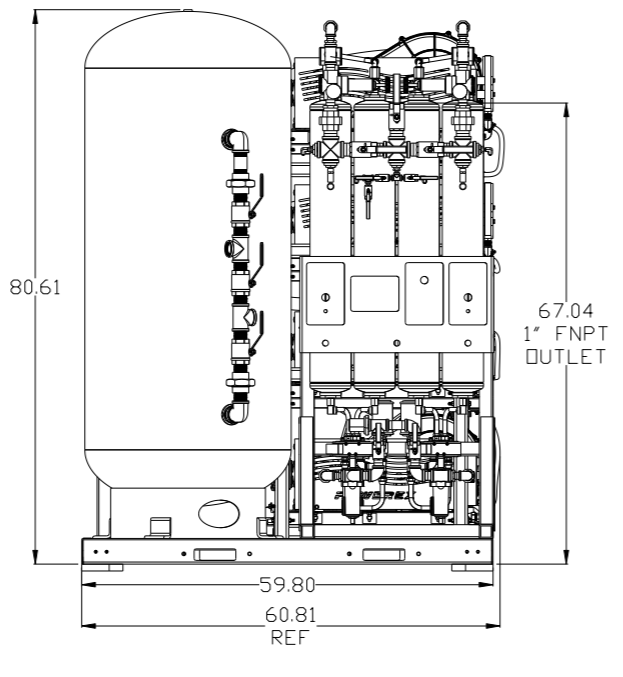
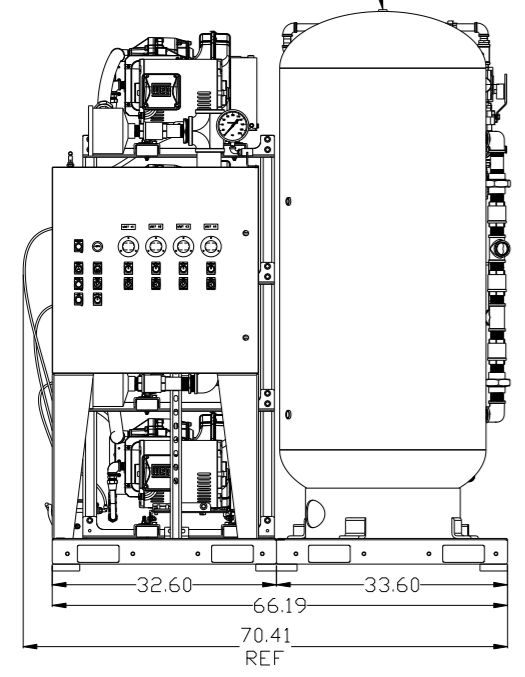
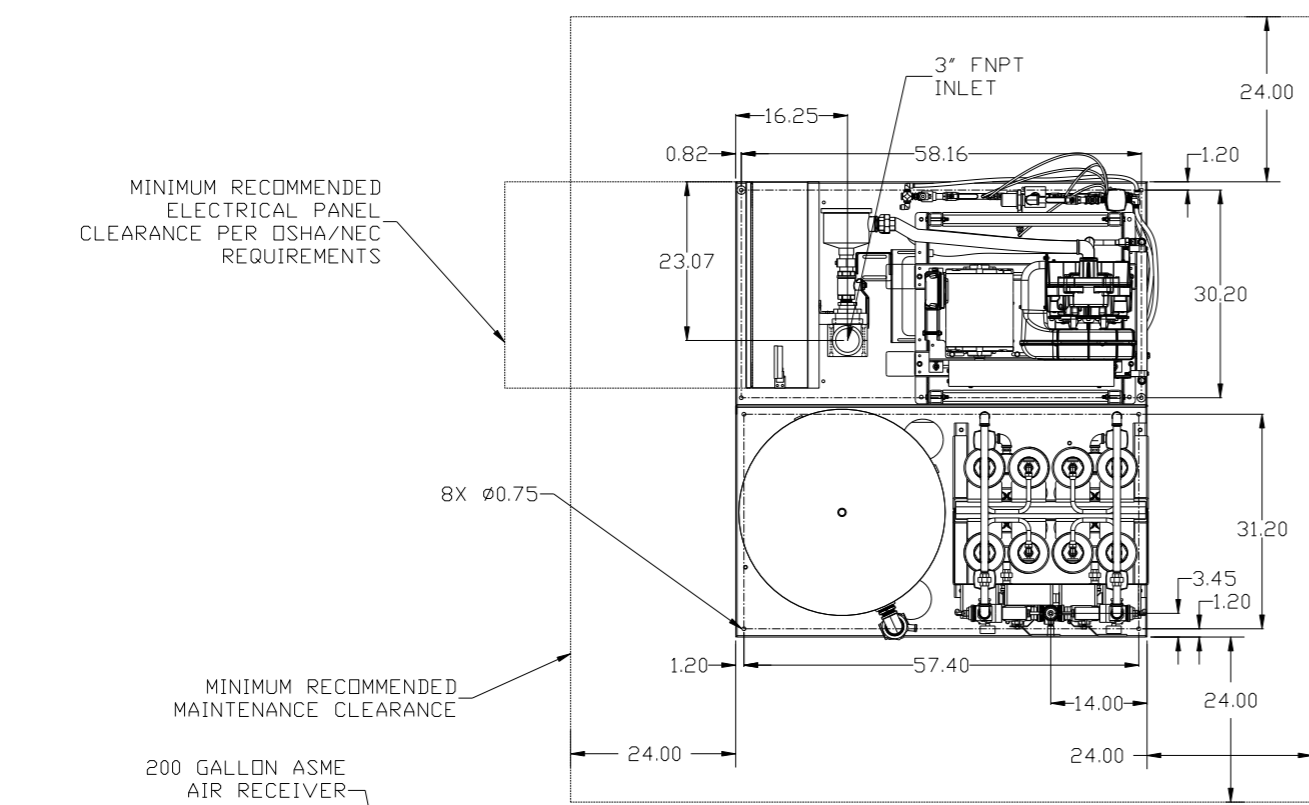
2X DESICCANT DRYER W/ DEW POINT MONITOR, CARBON MONOXIDE MONITOR, PRE FILTER, AFTER FILTER & OPTIONAL CHARCOAL FILTER.

4X 7.5HP DILLESS SCROLL AIR END

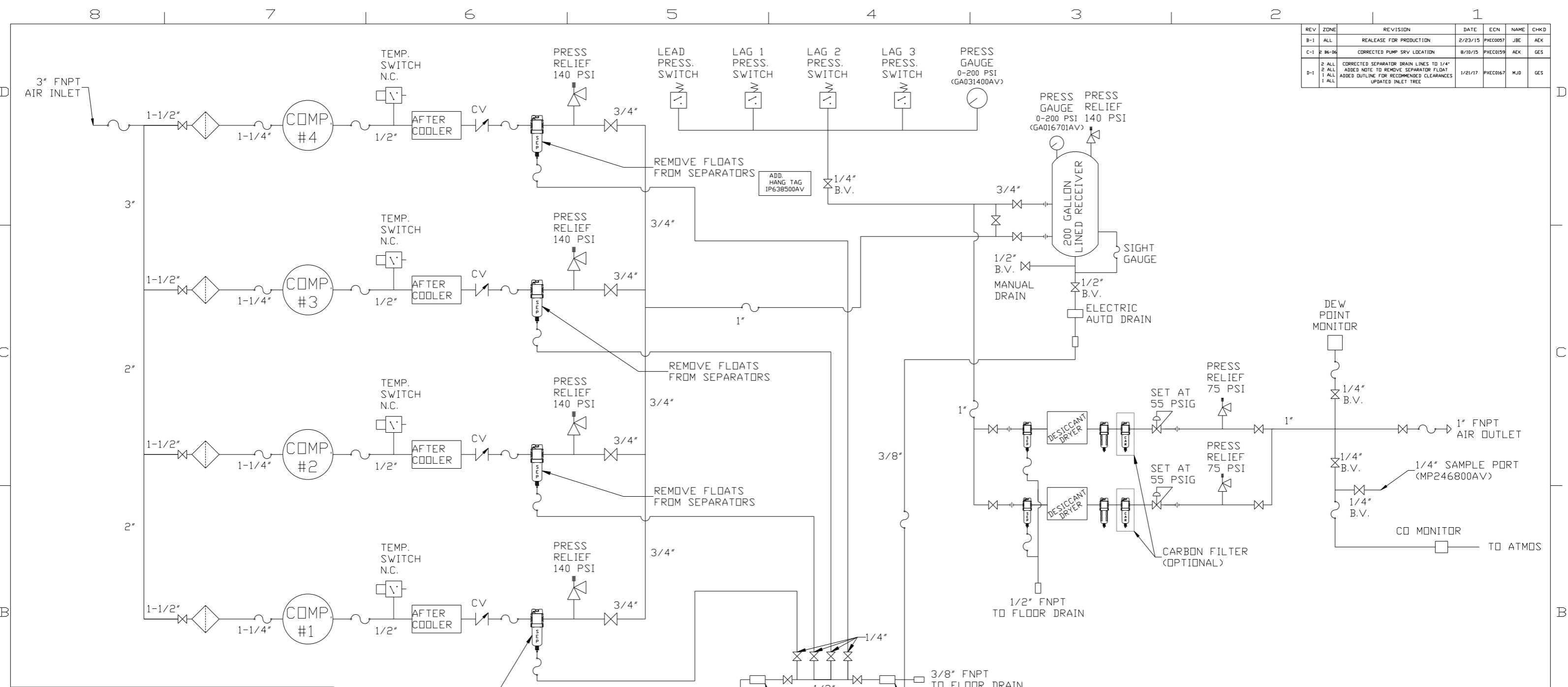
ISOLATION PADS 4" X 4" X 1"(QTY.4)
ISOLATION PADS 6" X 6" X 1"(QTY.2)

NOTE: SYSTEM DESIGNED IN COMPLIANCE WITH US NFPA'99, LATEST EDITION.

SYMBOL LEGEND ⊖ = MINUS DRAFT ⊕ = PLUS DRAFT ⊕ = ADDITIONAL CONTROL REQ'D HRC = BRINELL HARDNESS		Drawings to conform to the current revision of the following ANSI standards: Y14.3 Multi and sectional view dgs. Y14.5M Dimensioning and tolerancing	
TOLERANCES NOT SPECIFIED .XX ± .XXX ± \angle(DEG.) ±		AUTOCAD REL2008 LT INCH DO NOT SCALE DRAWING FOR DIMENSIONS Sheet 1 of 2 SCALE 1:14	
CONFIDENTIAL DISCLOSURE This drawing is the property of POWEREX, INC. of the SCOTT FELTZER COMPANY and subject to return on demand. Its contents are confidential and must not be copied or submitted to outside parties for use or examination.			
DRAWN BY JBE		CHECKED BY DMS	
APPROVED BY JA		ENGINEERING MFG/MKTG CT	
MATERIAL N/A		DATE 2/23/15	
PART NAME 7.5HP 200 GAL MED BASIC QUAD SCROLL		DATE 2/23/15	
DWG NO MSQ0755		DATE 2/23/15	
SIZE D		DATE 2/23/15	



REV	ZONE	REVISION	DATE	ECN	NAME	CHKD
B-1	ALL	RELEASE FOR PRODUCTION	2/23/15	PXEC0057	JBE	AEK
C-1	2 M-D4	CORRECTED PUMP SRV LOCATION	8/18/15	PXEC0159	AEK	GES
D-1	2 ALL 2 ALL 1 ALL	CORRECTED SEPARATOR DRAIN LINES TO 1/4" ADDED NOTE TO REMOVE SEPARATOR FLOAT ADDED OUTLINE FOR RECOMMENDED CLEARANCES UPDATED INLET TREE	1/21/17	PXEC0167	MJD	GES



LEGEND	
	RELIEF VALVE
	INTAKE FILTER
	AIR FILTER
	CARBON FILTER
	BALL VALVE
	PRESSURE SWITCH
	REGULATOR
	SEPARATOR
	CHECK VALVE
	FLEX LINE
	HIGH TEMP SWITCH
	UNION

NOTES:
 1) IF LAG 3 COMPRESSOR IS ENERGIZED, ALARM WILL OCCUR.
 2) PIPING TO THE INLET BY OTHERS AND TO BE PER NFPA99 4-3.1.1.9(b)
 3) INSTRUMENTS DOWN STREAM OF SOURCE VALVE TO BE SUPPLIED BY OTHERS.

SYMBOL LEGEND		TOLERANCES NOT SPECIFIED		DO NOT SCALE DRAWING FOR DIMENSIONS	
	= MINUS DRAFT	AUTOCAD	REL2008 LT	Sheet 2 of 2	SCALE 1:14
	= PLUS DRAFT				
	= ADDITIONAL CONTROL REQ'D				
	= BRINELL HARDNESS				
<small>Drawings to conform to the current revision of the following ANSI standards: Y14.3 Multi and sectional view dgs. Y14.5M Dimensioning and tolerancing</small>					
<small>CONFIDENTIAL DISCLOSURE This drawing is the property of POWEREX, INC. or the SCOTT FETZER COMPANY and subject to return on demand. Its contents are confidential and must not be copied or submitted to outside parties for use or examination.</small>		<small>DRAWN BY</small> JBE	<small>CHECKED BY</small> AEK	<small>APPROVED BY</small> JA	<small>DATE</small> CT
<small>MATERIAL</small> N/A		<small>DATE</small> 2/23/15	<small>DATE</small> 2/23/15	<small>DATE</small> 2/23/15	<small>DATE</small> 2/23/15
<small>PART NAME</small> MED SCROLL QUAD		 <small>150 PRODUCTION DRIVE, HARRISON, OHIO 45030 Ph: 888-769-7979 FAX: (513) 367-3125</small>		<small>DWG NO</small> MSQ0755	<small>SIZE</small> D
<small>FLOW SCHEMATIC</small>					

REV	ZONE	REVISION	DATE	ECN	NAME	CHKD
B-1	ALL	RELEASE TO PRODUCTION	2/23/15	PXEC0057	JBE	AEK
C-1	2 M-D4	CORRECTED PUMP SRV LOCATION	8/18/15	PXEC0159	AEK	GES
D-1	2 ALL 2 ALL 1 ALL 1 ALL	CORRECTED SEPARATOR DRAIN LINES TO 1/4" ADDED NOTE TO REMOVE SEPARATOR FLOAT ADDED OUTLINE FOR RECOMMENDED CLEARANCES UPDATED INLET TREE	1/21/17	PXEC0167	MJD	GES

MINIMUM RECOMMENDED ELECTRICAL PANEL CLEARANCE PER OSHA/NEC REQUIREMENTS

8X Ø0.75

MINIMUM RECOMMENDED MAINTENANCE CLEARANCE

200 GALLON ASME AIR RECEIVER INTERNALLY LINED


2X DESICCANT DRYER W/ CARBON MONOXIDE MONITOR, PRE FILTER, AFTER FILTER & OPTIONAL CHARCOAL FILTER.

4X 7.5HP DILLESS SCROLL AIR END

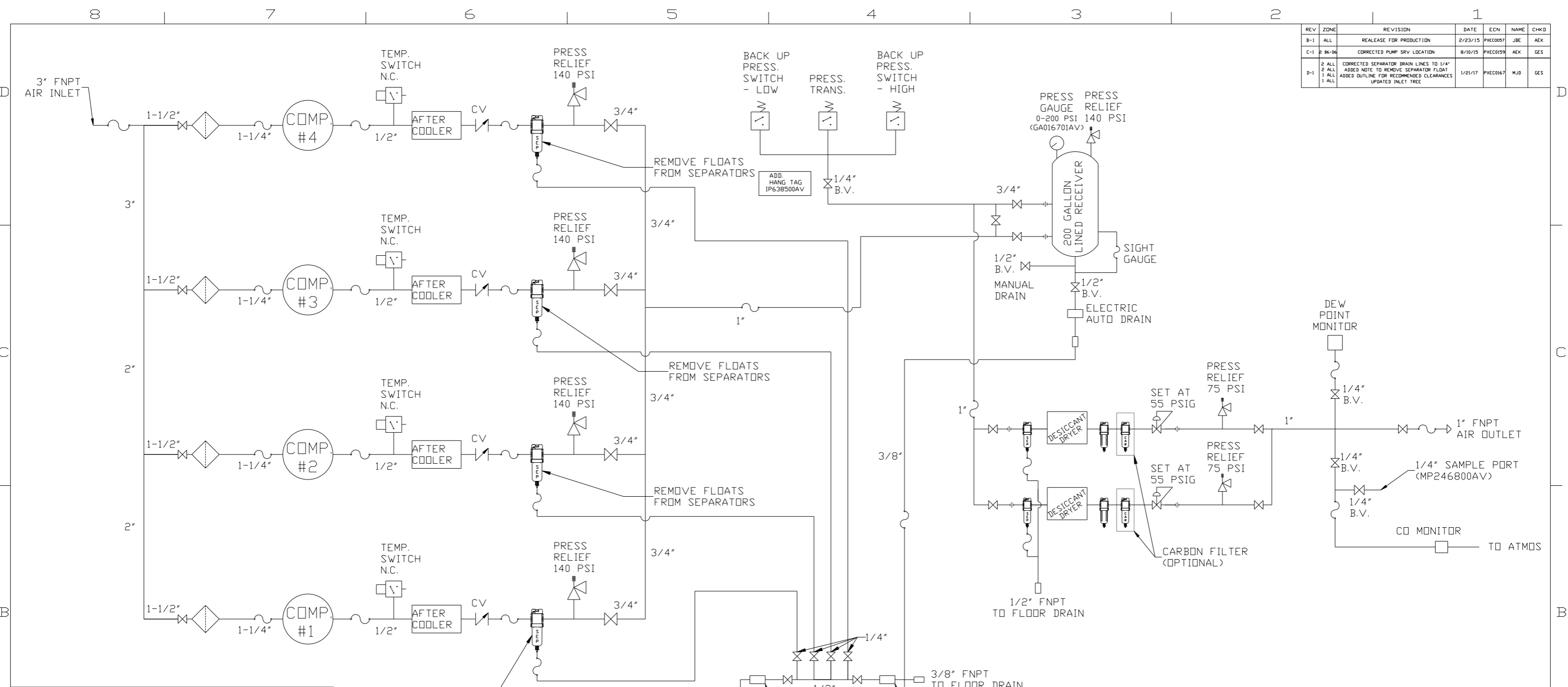
ISOLATION PADS 4" X 4" X 1"(QTY.4)

ISOLATION PADS 6" X 6" X 1"(QTY.2)

NOTE: SYSTEM DESIGNED IN COMPLIANCE WITH US NFPA'99, LATEST EDITION.

SYMBOL LEGEND		= ADDITIONAL CONTROL REQ'D		Drawings to conform to the current revision of the following ANSI standards:	
⊖	MINUS DRAFT	⊕	PLUS DRAFT	⊖	ANSI Y14.3 Multi and sectional view dgs.
⊕	PLUS DRAFT	⊖	MINUS DRAFT	⊕	ANSI Y14.5M Dimensioning and tolerancing
TOLERANCES NOT SPECIFIED		AUTOCAD REL2008 LT		DO NOT SCALE DRAWING FOR DIMENSIONS	
.XX ±		INCH		Sheet 1 of 2	SCALE 1:14
.XXX ±					
<<DEG>> ±					
CONFIDENTIAL DISCLOSURE: This drawing is the property of POWEREX, INC. of the SCOTT FELTZER COMPANY and subject to return on demand. Its contents are confidential and must not be copied or submitted to outside parties for use or examination.					
DRAWN BY		CHECKED BY		APPROVED BY	
JBE		DMS		JA CT	
2/23/15		2/23/15		2/23/15 2/23/15	
MATERIAL		N/A		 150 PRODUCTION DRIVE, HARRISON, OHIO 45030 Ph 888-769-7979 FAX (513) 367-3125	
PART NAME		7.5HP 200 GAL MED		SIZE	
PXMI QUAD SCROLL				D	
DWG NO		MSQ0755		MSQ0755.dwg	

REV	ZONE	REVISION	DATE	ECN	NAME	CHKD
B-1	ALL	RELEASE FOR PRODUCTION	2/23/15	PXEC0057	JBE	AEK
C-1	2 M-D4	CORRECTED PUMP SRV LOCATION	8/18/15	PXEC0159	AEK	GES
D-1	2 ALL 1 ALL 1 ALL	CORRECTED SEPARATOR DRAIN LINES TO 1/4" ADDED NOTE TO REMOVE SEPARATOR FLOAT ADDED OUTLINE FOR RECOMMENDED CLEARANCES UPDATED INLET TREE	1/21/17	PXEC0167	MJD	GES



LEGEND	
	RELIEF VALVE
	INTAKE FILTER
	AIR FILTER
	CARBON FILTER
	BALL VALVE
	PRESSURE SWITCH
	REGULATOR
	SEPARATOR
	CHECK VALVE
	FLEX LINE
	HIGH TEMP SWITCH
	UNION

NOTES:
 1) IF LAG 3 COMPRESSOR IS ENERGIZED, ALARM WILL OCCUR.
 2) PIPING TO THE INLET BY OTHERS AND TO BE PER NFPA99 4-3.1.1.9(b)
 3) INSTRUMENTS DOWN STREAM OF SOURCE VALVE TO BE SUPPLIED BY OTHERS.

SYMBOL LEGEND			= ADDITIONAL CONTROL REQ'D		Drawings to conform to the current revision of the following ANSI standards:	
	= MINUS DRAFT		= BRINELL HARDNESS		Y14.3 Multi and sectional view dsgs. Y14.5M Dimensioning and tolerancing	
TOLERANCES NOT SPECIFIED		AUTOCAD	DO NOT SCALE DRAWING FOR DIMENSIONS		SCALE	
.XX ±		REL2008 LT	Sheet 2 of 2		1:14	
.XXX ±			DRAWN BY		CHECKED BY	
<< DEG >> ±			JBE		AEK	
			2/23/15		2/23/15	
			2/23/15		2/23/15	
MATERIAL		N/A		 150 PRODUCTION DRIVE, HARRISON, OHIO 45030 Ph 888-769-7979 FAX (513) 367-3125		
PART NAME		MED SCROLL QUAD		SIZE		
FLOW SCHEMATIC		MSQ0755		D		