

REV	ZONE	REVISION	DATE	ECN	NAME	CHKD
B-1	ALL	RELEASE TO PRODUCTION	1/29/15	PXEC0057	AEK	DMS
C-1	ALL	UPDATED SKID FRAME TO CORRECT WIDTH	2/5/15	PXEC0057	JBE	AEK
D-1	ALL	WAVE 1 SMALL FOOTPRINT REDESIGN	2/23/15	PXEC0057	JBE	AEK
E-1	ALL	UPDATED TO CURRENT DRAWING STANDARDS	10/13/16	PXEC0167	AEK	GES
F-1	ALL	CORRECTED SEPARATOR DRAIN LINES TO 1/4" ADD'D NOTE TO REMOVE SEPARATOR FLIDAT CORRECTED VIEW POSITIONING ADD'D OVERALL DIMENSIONS ADD'D OUTLINE FOR RECOMMENDED CLEARANCES UPDATED INLET TREE	01/11/17	PXEC0167	MJD	GES

MINIMUM RECOMMENDED ELECTRICAL PANEL CLEARANCE PER OSHA/NEC REQUIREMENTS

8X Ø0.75

MINIMUM RECOMMENDED MAINTENANCE CLEARANCE

INLET 3"

2X DESICCANT DRYER W/ DEW POINT MONITOR, CARBON MONOXIDE MONITOR, PRE FILTER, AFTER FILTER & OPTIONAL CHARCOAL FILTER.

200 GALLON ASME AIR RECEIVER INTERNALLY LINED

4X 10HP OILLESS SCROLL AIR END

ISOLATION PADS 4" X 4" X 1"(QTY.4)

ISOLATION PADS 6" X 6" X 1"(QTY.2)

NOTE: SYSTEM DESIGNED IN COMPLIANCE WITH US NFPA'99, LATEST EDITION.

SYMBOL LEGEND	⊖ = MINUS DRAFT	⊕ = PLUS DRAFT	⊕ = ADDITIONAL CONTROL REQ'D	⊕ = BRINELL HARDNESS	Drawings to conform to the current revision of the following ANSI standards: Y14.3 Multi and sectional view dwgs. Y14.5M Dimensioning and tolerancing
---------------	-----------------	----------------	------------------------------	----------------------	---

TOLERANCES NOT SPECIFIED	AUTOCAD REL2000:	DO NOT SCALE DRAWING FOR DIMENSIONS
.XX ±	INCH	Sheet 1 of 2
.XXX ±		SCALE 1:14
<<BEG. >		

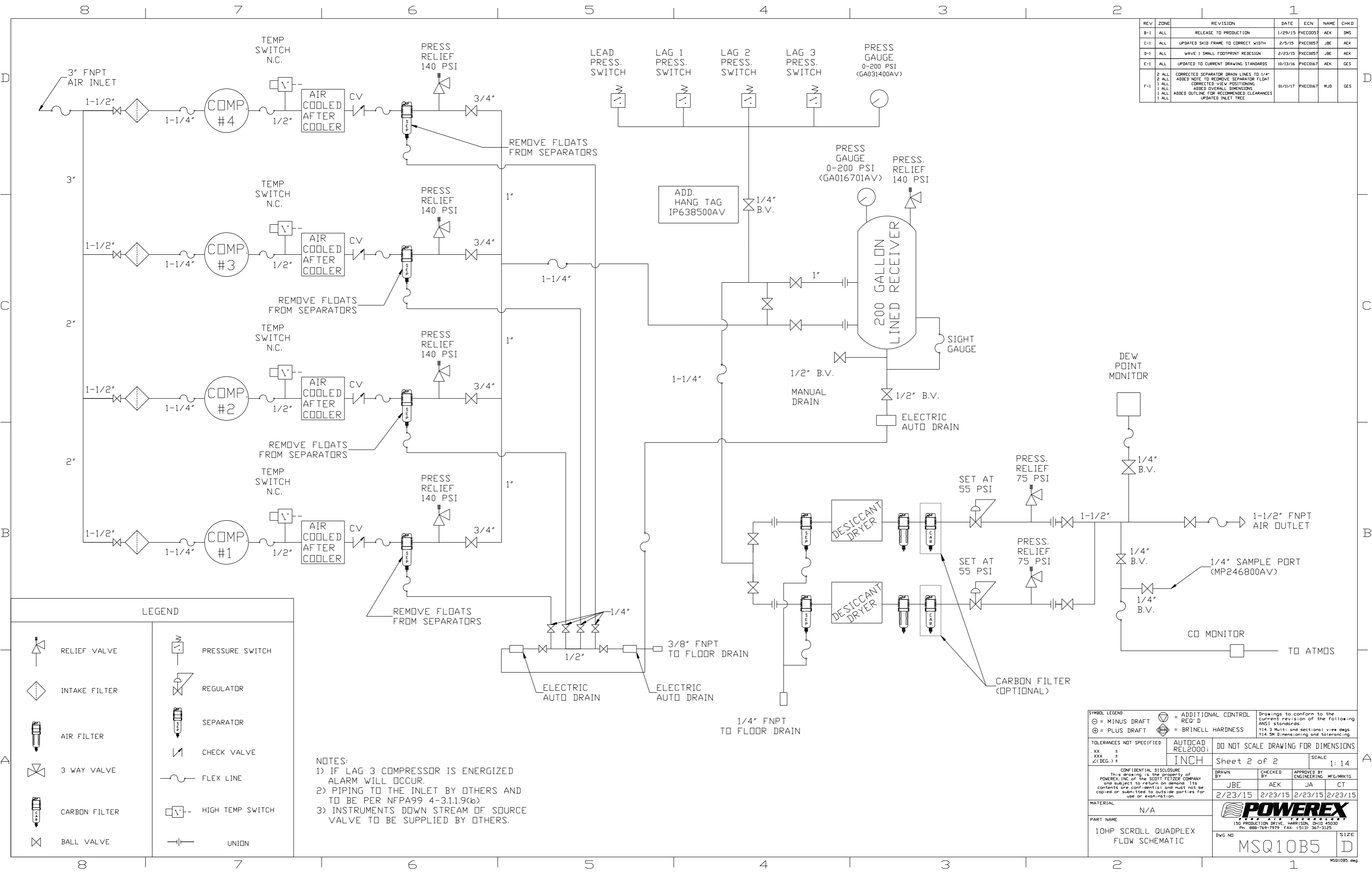
CONFIDENTIAL DISCLOSURE: This drawing is the property of POWEREX, INC. of the SCOTT FETZER COMPANY and is subject to return on demand. Its contents are confidential and must not be copied or submitted to outside parties for use or examination.			
DRAWN BY	CHECKED BY	APPROVED BY	MFG/MKTG
JBE	AEK	JA	CT
2/23/15	2/23/15	02/20/15	2/23/15

MATERIAL	N/A		
PART NAME	QUADPLEX OILLESS SCROLL 10HP, 200GAL. BASEMOUNT DUPLEX DESICCANT		
DWG NO	MSQ10B5		
SIZE	D		



MSQ10B5.dwg

REV	ZONE	REVISION	DATE	ECN	NAME	CHKD
B-1	ALL	RELEASE TO PRODUCTION	1/29/15	PKEC0057	AEK	DMS
C-1	ALL	UPDATED SKID FRAME TO CORRECT WIDTH	2/5/15	PKEC0057	JBE	AEK
D-1	ALL	WAVE 1 SMALL FOOTPRINT REDESIGN	2/23/15	PKEC0057	JBE	AEK
E-1	ALL	UPDATED TO CURRENT DRAWING STANDARDS	10/13/16	PKEC0167	AEK	GES
F-1	ALL	CORRECTED SEPARATOR DRAIN LINES TO 1/4"				
	2 ALL	ADDED NOTE TO REMOVE SEPARATOR FLOAT				
	1 ALL	CORRECTED VIEW POSITIONING	01/11/17	PKEC0167	MJD	GES
	1 ALL	ADDED OVERALL DIMENSIONS				
	1 ALL	ADDED OUTLINE FOR RECOMMENDED CLEARANCES				
	1 ALL	UPDATED INLET TREE				



**LEGEND**

	RELIEF VALVE		PRESSURE SWITCH
	INTAKE FILTER		REGULATOR
	AIR FILTER		SEPARATOR
	3 WAY VALVE		CHECK VALVE
	CARBON FILTER		FLEX LINE
	BALL VALVE		HIGH TEMP SWITCH
			UNION

**NOTES:**  
 1) IF LAG 3 COMPRESSOR IS ENERGIZED ALARM WILL OCCUR.  
 2) PIPING TO THE INLET BY OTHERS AND TO BE PER NFPA99 4-3.1.1.9(b)  
 3) INSTRUMENTS DOWN STREAM OF SOURCE VALVE TO BE SUPPLIED BY OTHERS.

SYMBOL LEGEND		= ADDITIONAL CONTROL REQ'D		Drawings to conform to the current revision of the following ANSI standards	
⊖	MINUS DRAFT	⊕	PLUS DRAFT	⊖	BRINELL HARDNESS
TOLERANCES NOT SPECIFIED		AUTOCAD REL2000: INCH		DO NOT SCALE DRAWING FOR DIMENSIONS	
.XX ±				Sheet 2 of 2	
<DEG> ±				SCALE 1:14	
CONFIDENTIAL DISCLOSURE					
This drawing is the property of POWEREX, INC. of the SCOTT FETZER COMPANY and subject to return on demand. Its contents are confidential and must not be copied or submitted to outside parties for use or examination.					
DRAWN BY		CHECKED BY		APPROVED BY	
JBE		AEK		JA CT	
2/23/15		2/23/15		2/23/15	
MATERIAL N/A					
PART NAME				SIZE	
10HP SCROLL QUADPLEX FLOW SCHEMATIC				MSQ10B5 D	

REV	ZONE	REVISION	DATE	ECN	NAME	CHKD
B-1	ALL	RELEASE TO PRODUCTION	1/29/15	PXEC0057	AEK	DMS
C-1	ALL	UPDATED SKID FRAME TO CORRECT WIDTH	2/5/15	PXEC0057	JBE	AEK
D-1	ALL	WAVE 1 SMALL FOOTPRINT REDESIGN	2/23/15	PXEC0057	JBE	AEK
E-1	ALL	UPDATED TO CURRENT DRAWING STANDARDS	10/13/16	PXEC0167	AEK	GES
F-1	2 ALL	CORRECTED SEPARATOR DRAIN LINES TO 1/4"				
	1 ALL	ADDED NOTE TO REMOVE SEPARATOR FLGAT	01/11/17	PXEC0167	MJD	GES
	1 ALL	CORRECTED VIEW POSITIONING				
	1 ALL	ADDED OVERALL DIMENSIONS				
	1 ALL	ADDED OUTLINE FOR RECOMMENDED CLEARANCES				
	1 ALL	UPDATED INLET TREE				

MINIMUM RECOMMENDED ELECTRICAL PANEL CLEARANCE PER OSHA/NEC REQUIREMENTS

MINIMUM RECOMMENDED MAINTENANCE CLEARANCE


2X DESICCANT DRYER W/ CARBON MONOXIDE MONITOR, PRE FILTER, AFTER FILTER & OPTIONAL CHARCOAL FILTER.

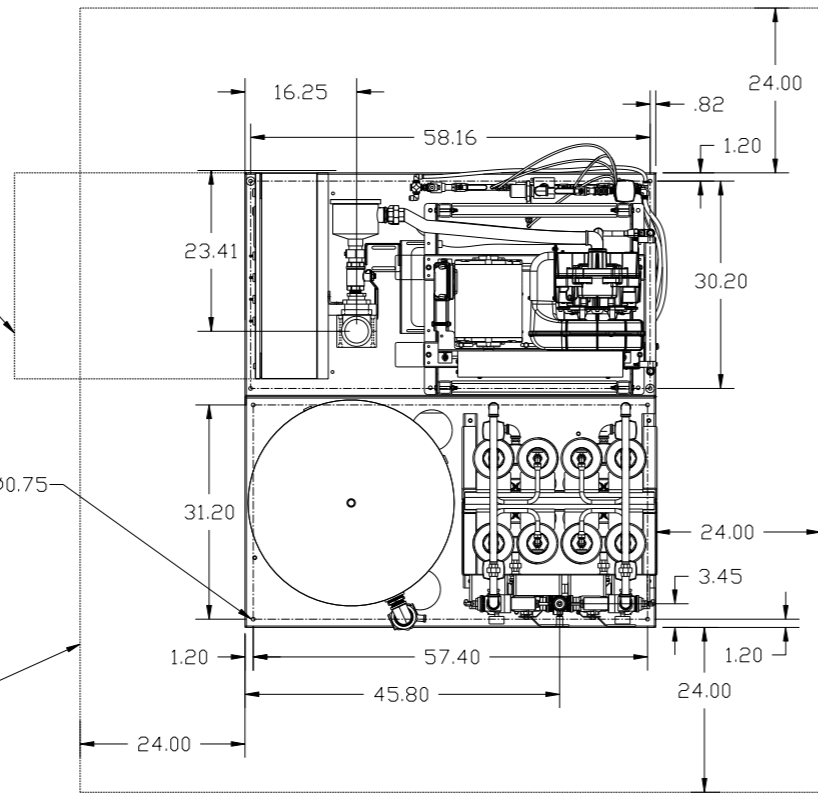
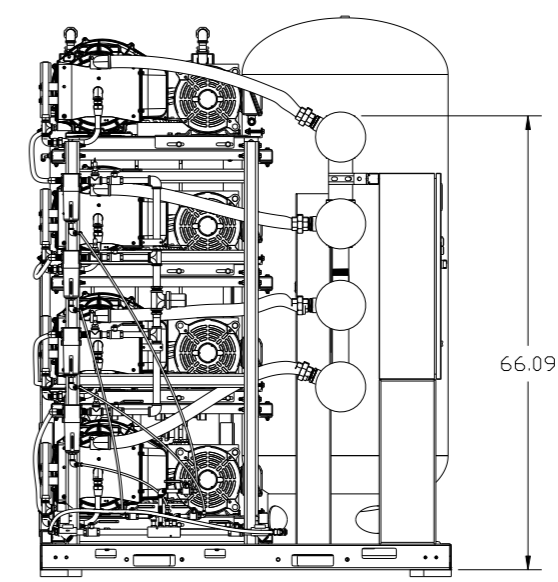
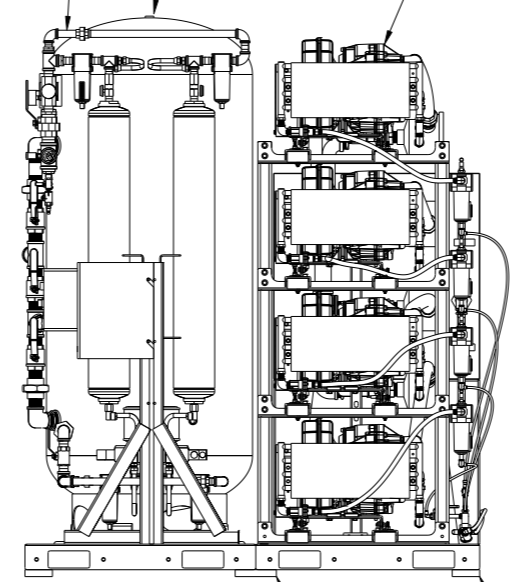
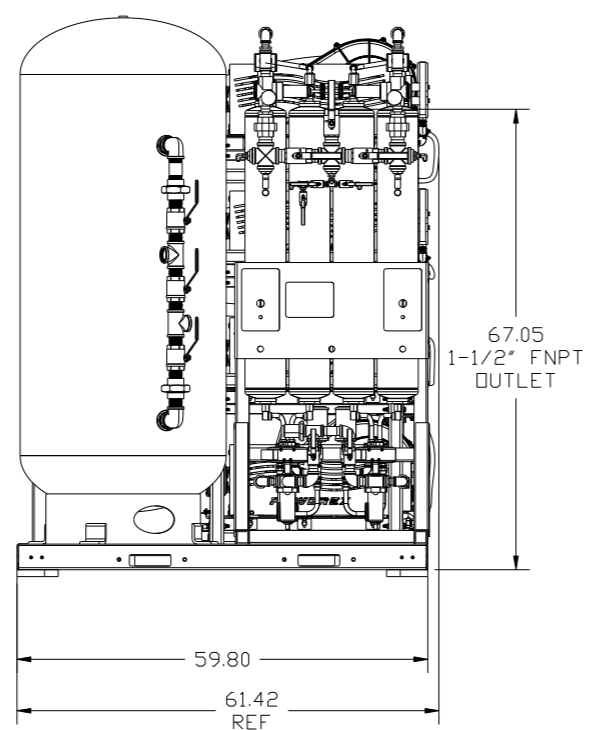
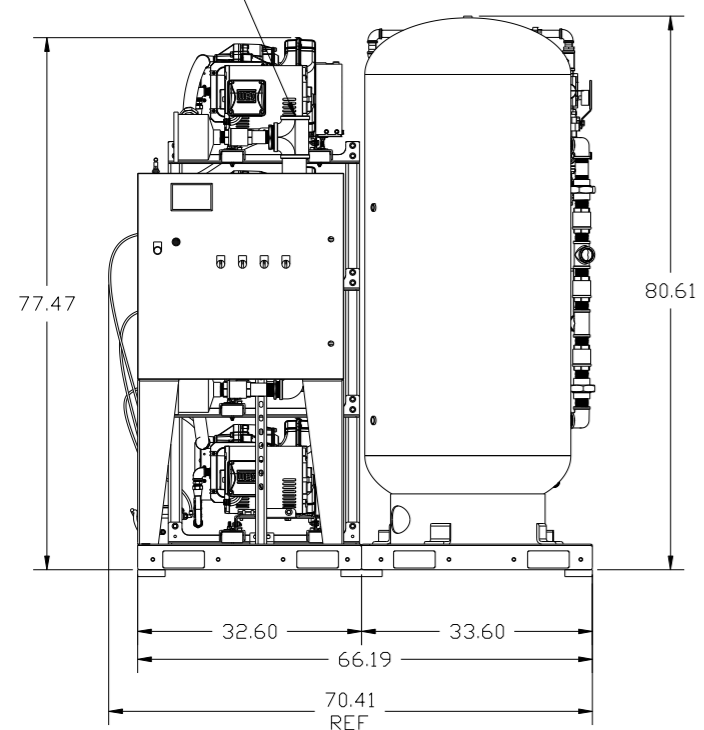
200 GALLON ASME AIR RECEIVER INTERNALLY LINED

4X 10HP OILLESS SCROLL AIR END

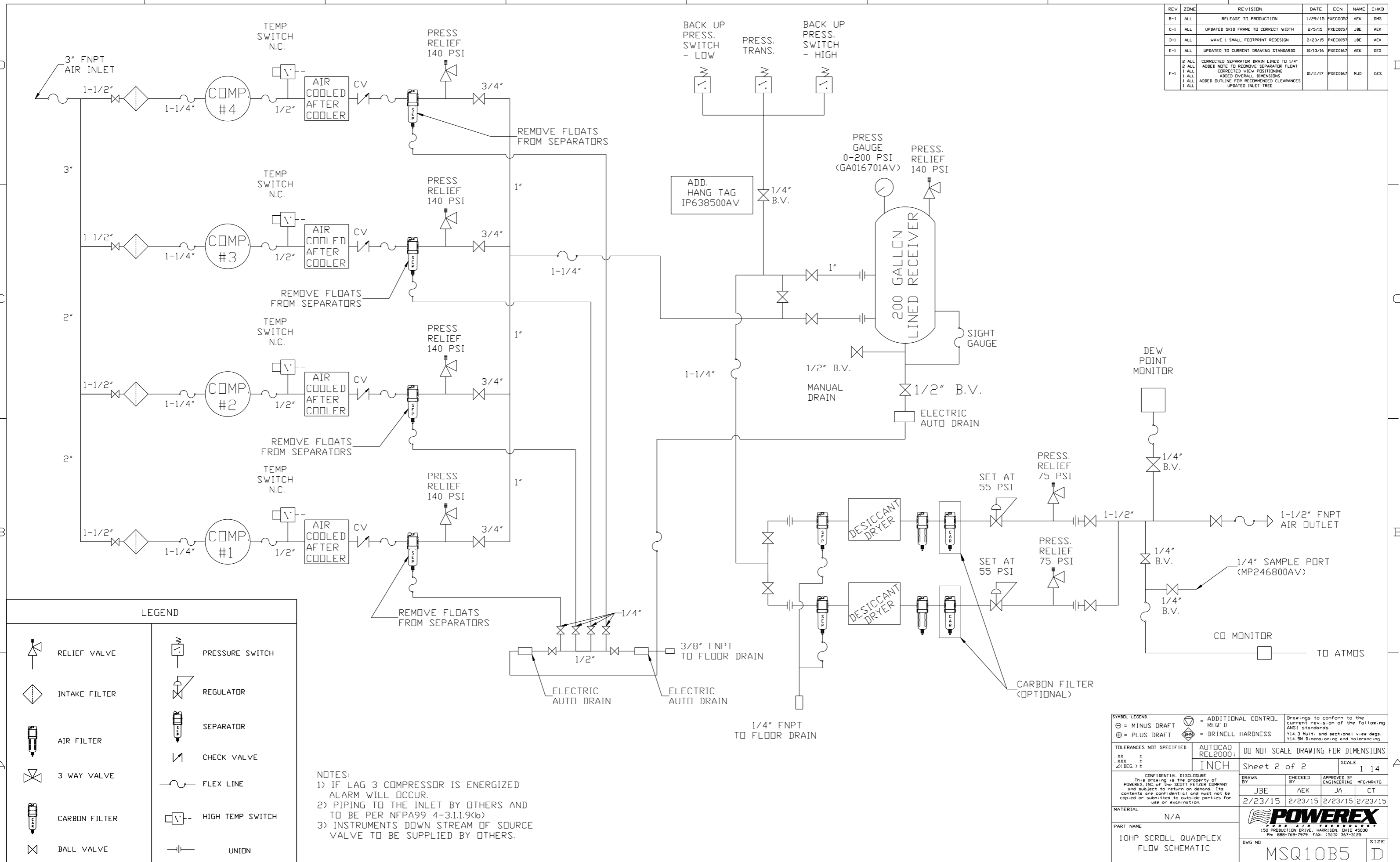
ISOLATION PADS 4" X 4" X 1"(QTY.4)  
ISOLATION PADS 6" X 6" X 1"(QTY.2)

NOTE: SYSTEM DESIGNED IN COMPLIANCE WITH US NFPA'99, LATEST EDITION.

<b>SYMBOL LEGEND</b> ⊖ = MINUS DRAFT ⊕ = PLUS DRAFT ⊕ = BRINELL HARDNESS		= ADDITIONAL CONTROL REQ'D = BRINELL HARDNESS		Drawings to conform to the current revision of the following ANSI standards: Y14.3 Multi and sectional view dgs Y14.5M Dimensioning and tolerancing
TOLERANCES NOT SPECIFIED .XX ± .XXX ± <DEG. > ±		AUTOCAD REL2000 INCH		DO NOT SCALE DRAWING FOR DIMENSIONS Sheet 1 of 2 SCALE 1: 14
<b>CONFIDENTIAL DISCLOSURE</b> This drawing is the property of POWEREX, INC. of the SCOTT FEITZER COMPANY and subject to return on demand. Its contents are confidential and must not be copied or submitted to outside parties for use or examination.		DRAWN BY JBE	CHECKED BY AEK	APPROVED BY ENGINEERING MFG/MRKTG JA CT
MATERIAL N/A		DATE 2/23/15	DATE 2/23/15	DATE 02/20/15
PART NAME QUADPLEX OILLESS SCROLL 10HP, 200GAL. BASEMOUNT PXMI DUPLEX DESICCANT		 150 PRODUCTION DRIVE, HARRISON, OHIO 45030 Ph: 888-769-7979 FAX: (513) 367-3125		DWG NO MSQ10B5 SIZE D



REV	ZONE	REVISION	DATE	ECN	NAME	CHKD
B-1	ALL	RELEASE TO PRODUCTION	1/29/15	PXEC0057	AEK	DMS
C-1	ALL	UPDATED SKID FRAME TO CORRECT WIDTH	2/5/15	PXEC0057	JBE	AEK
D-1	ALL	WAVE 1 SMALL FOOTPRINT REDESIGN	2/23/15	PXEC0057	JBE	AEK
E-1	ALL	UPDATED TO CURRENT DRAWING STANDARDS	10/13/16	PXEC0167	AEK	GES
F-1	ALL	CORRECTED SEPARATOR DRAIN LINES TO 1/4"	01/11/17	PXEC0167	MJD	GES
F-1	ALL	ADDED NOTE TO REMOVE SEPARATOR FLOAT				
F-1	ALL	CORRECTED VIEW POSITIONING				
F-1	ALL	ADDED OVERALL DIMENSIONS				
F-1	ALL	ADDED OUTLINE FOR RECOMMENDED CLEARANCES				
F-1	ALL	UPDATED INLET TREE				



**LEGEND**

	RELIEF VALVE		PRESSURE SWITCH
	INTAKE FILTER		REGULATOR
	AIR FILTER		SEPARATOR
	3 WAY VALVE		CHECK VALVE
	CARBON FILTER		FLEX LINE
	BALL VALVE		HIGH TEMP SWITCH
			UNION

**NOTES:**  
 1) IF LAG 3 COMPRESSOR IS ENERGIZED ALARM WILL OCCUR.  
 2) PIPING TO THE INLET BY OTHERS AND TO BE PER NFPA99 4-3.1.9(b)  
 3) INSTRUMENTS DOWN STREAM OF SOURCE VALVE TO BE SUPPLIED BY OTHERS.

SYMBOL LEGEND		ADDITIONAL CONTROL		Drawings to conform to the current revision of the following ANSI standards:	
⊖	MINUS DRAFT	⊖	REQ'D	Y14.3	Multi and sectional view deqs.
⊕	PLUS DRAFT	⊖	BRINELL HARDNESS	Y14.5M	Dimensioning and tolerancing
TOLERANCES NOT SPECIFIED		AUTOCAD REL2000:		DO NOT SCALE DRAWING FOR DIMENSIONS	
.XX	±	INCH		Sheet 2 of 2	SCALE 1:14
.XXX	±				
<DEG.>	±				
CONFIDENTIAL DISCLOSURE		APPROVED BY		APPROVED BY	
This drawing is the property of POWEREX, INC. of the SCOTT FETZER COMPANY and subject to return on demand. Its contents are confidential and must not be copied or submitted to outside parties for use or examination.		JBE		JA	
		2/23/15		2/23/15	
MATERIAL		N/A		POWEREX	
PART NAME		10HP SCROLL QUADPLEX FLOW SCHEMATIC		150 PRODUCTION DRIVE, HARRISON, OHIO 45030 Ph: 888-769-7979 Fax: (513) 367-3129	
DWG NO		MSQ10B5		SIZE D	