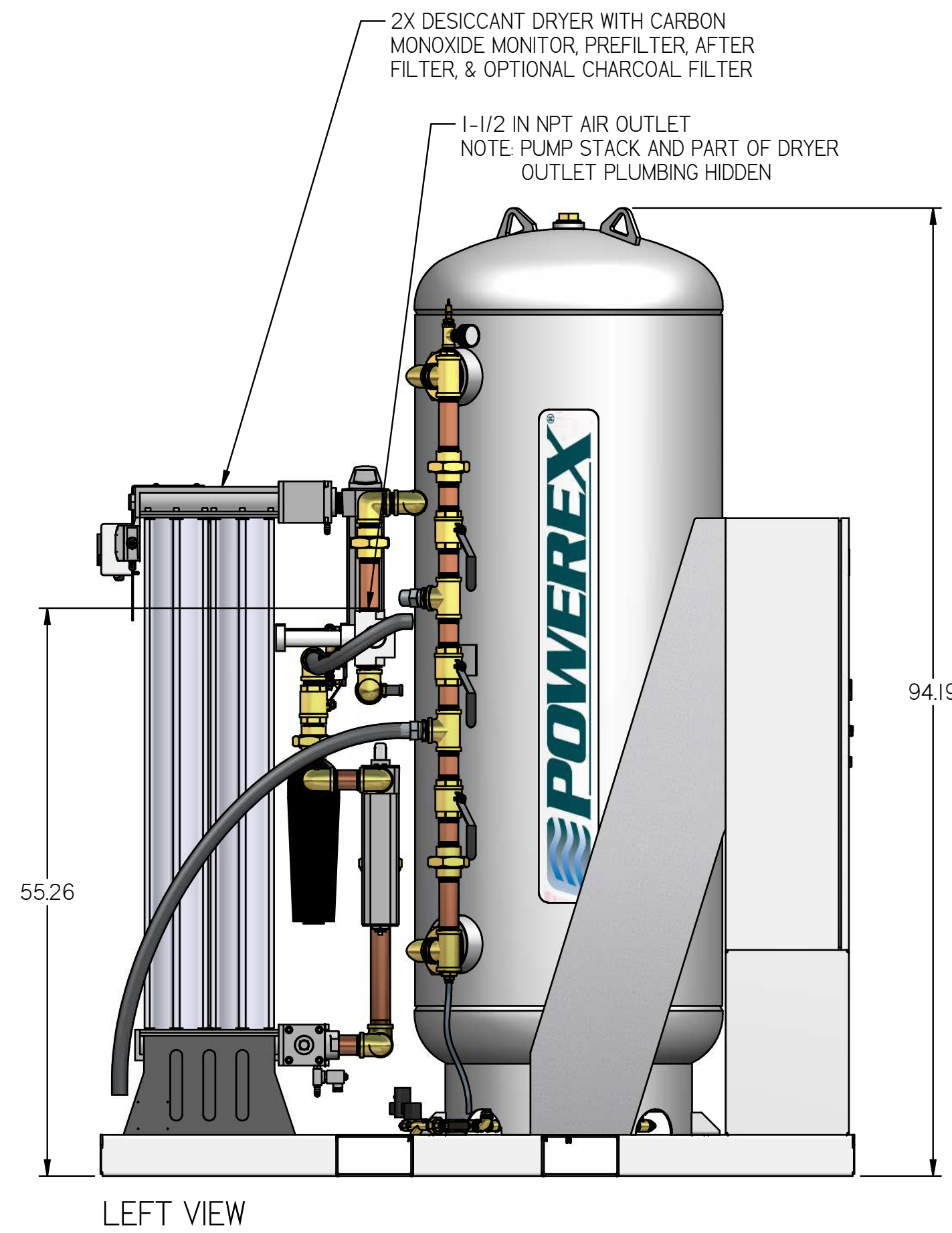
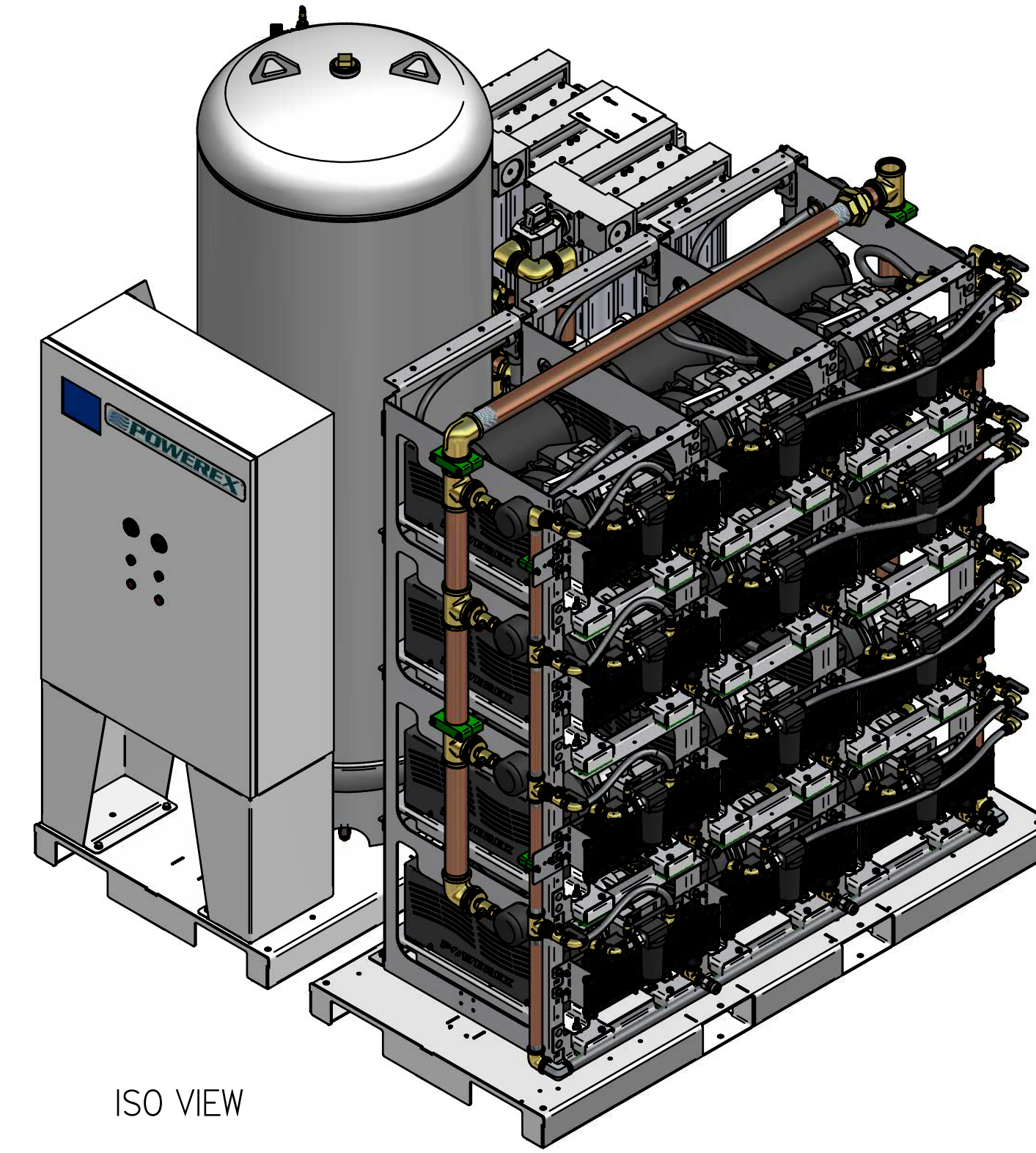
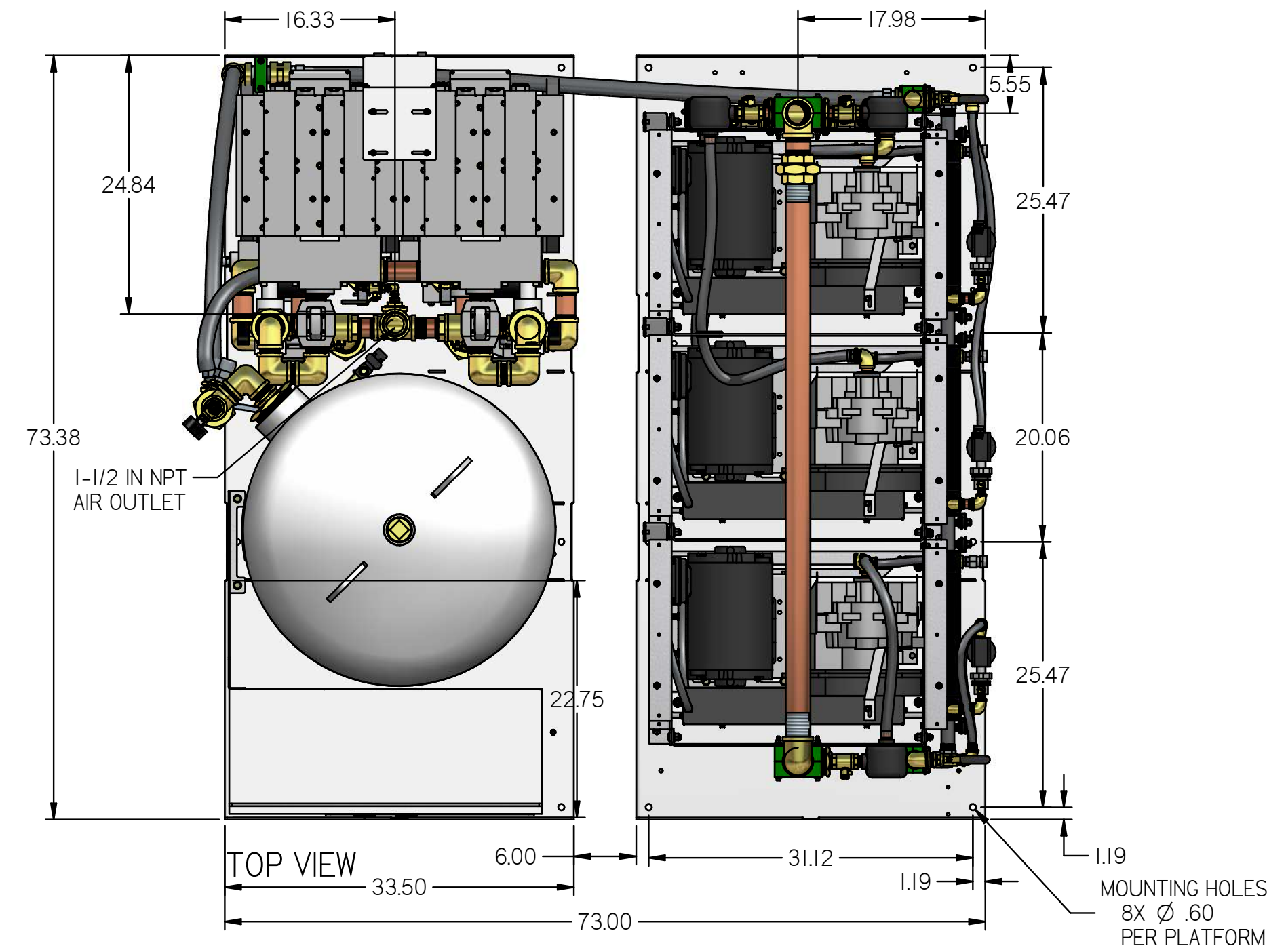


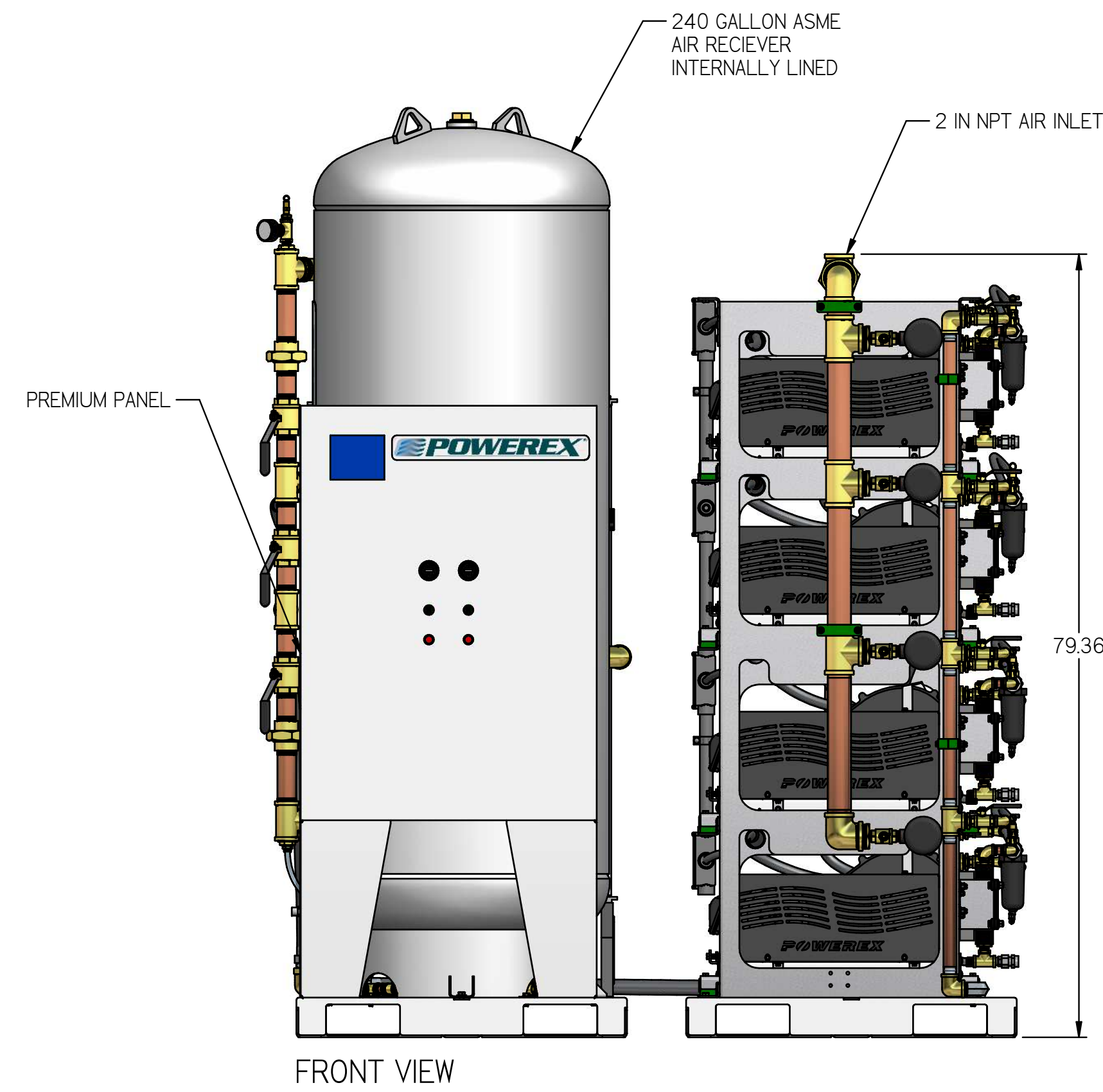
REVISION NOTES		
DESCRIPTION	ECN	PR/NOR
PRODUCTION RELEASE	PXECO169	N/A

MSQ15A6

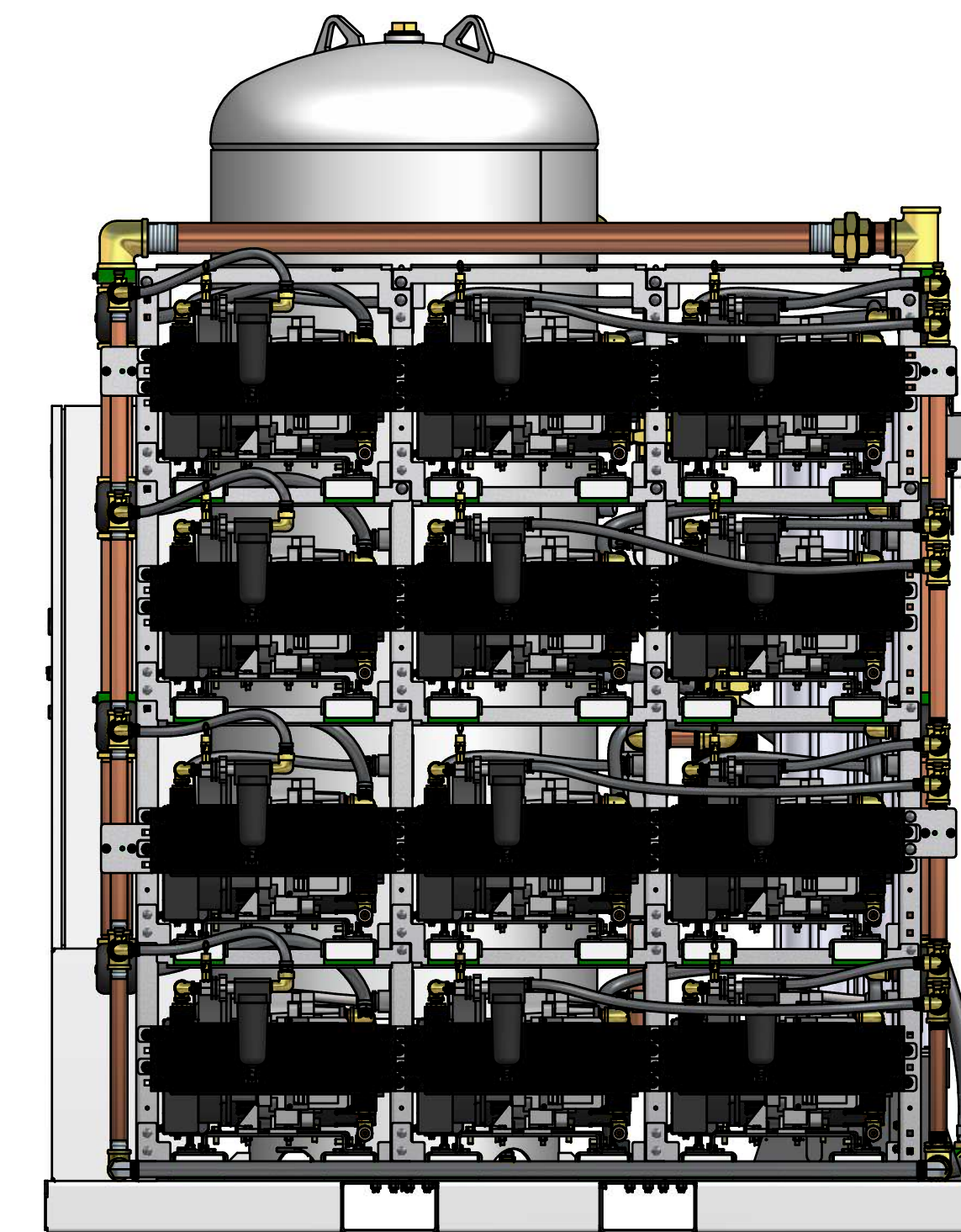
MEDICAL OPEN SCROLL 15 HP
QUADPLEX WITH 240 GALLON TANK
PREMIUM PANEL



LEFT VIEW



FRONT VIEW



- NOTES:
- APPROX SYSTEM WEIGHT: 5619 LB
 - 24" MINIMUM MAINTENANCE CLEARANCE RECOMMENDED ALL SIDES. CLEARANCE FOR CONTROL PANEL SHALL BE IN ACCORDANCE WITH OSHA/NEC REQUIREMENTS

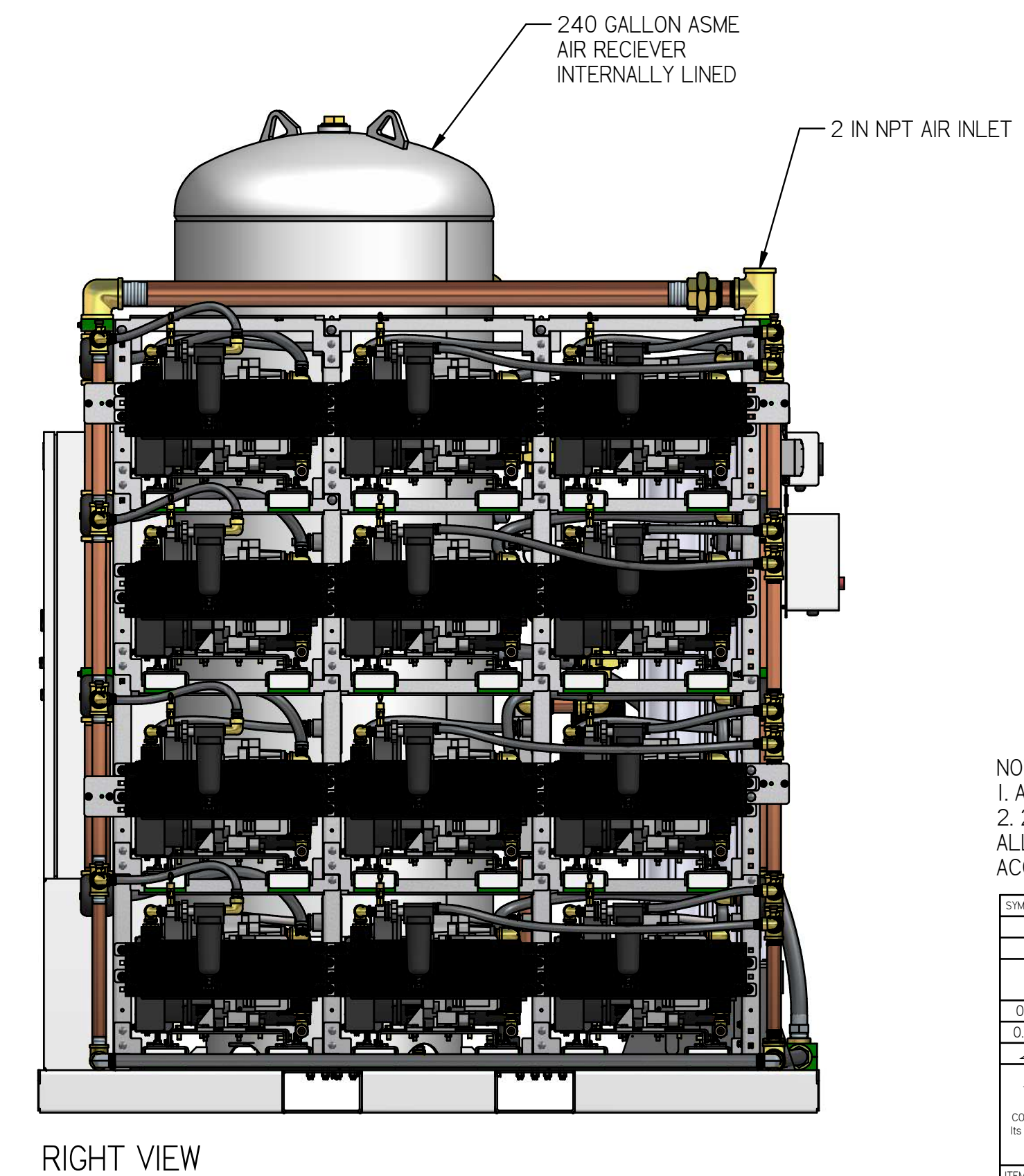
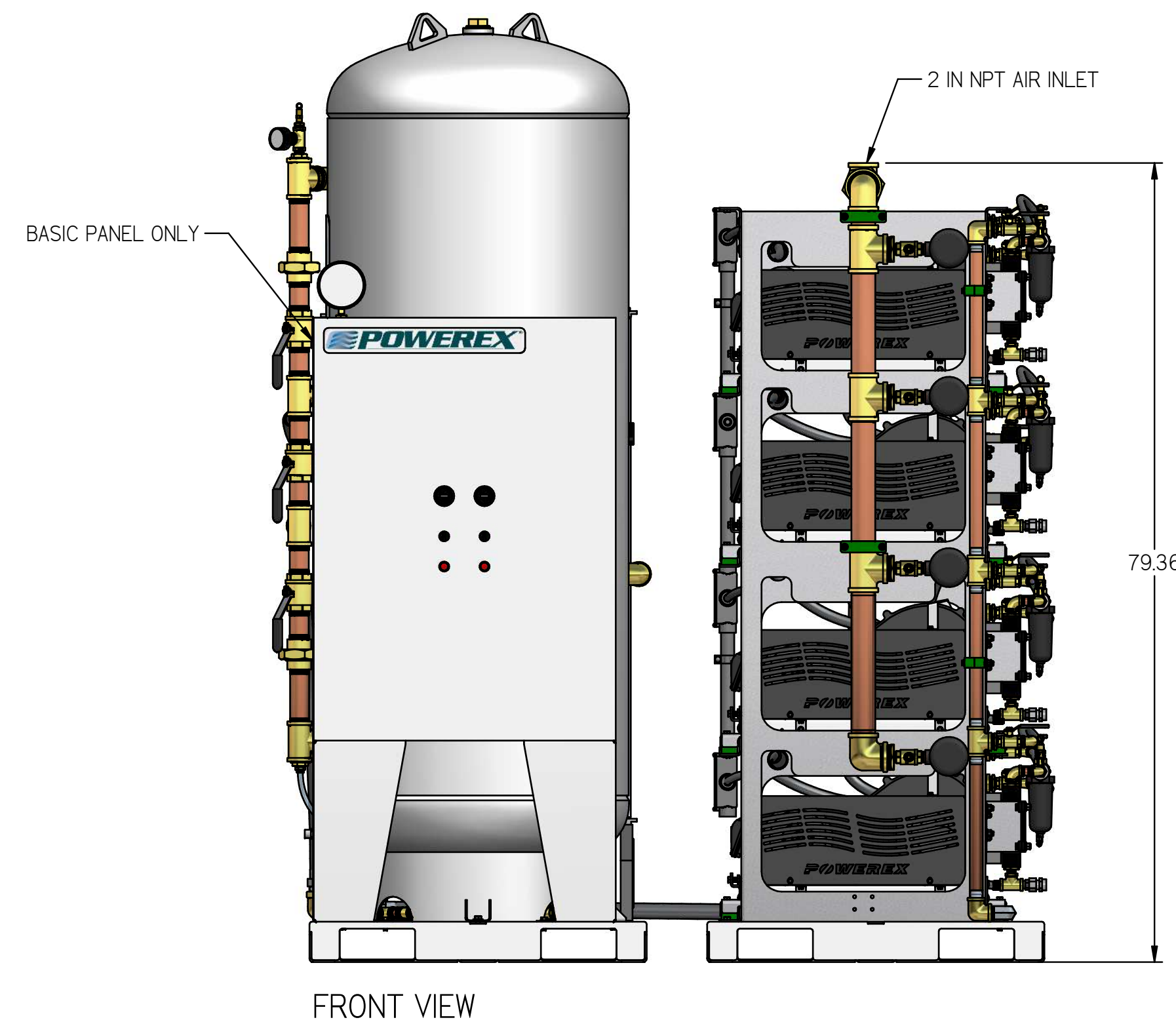
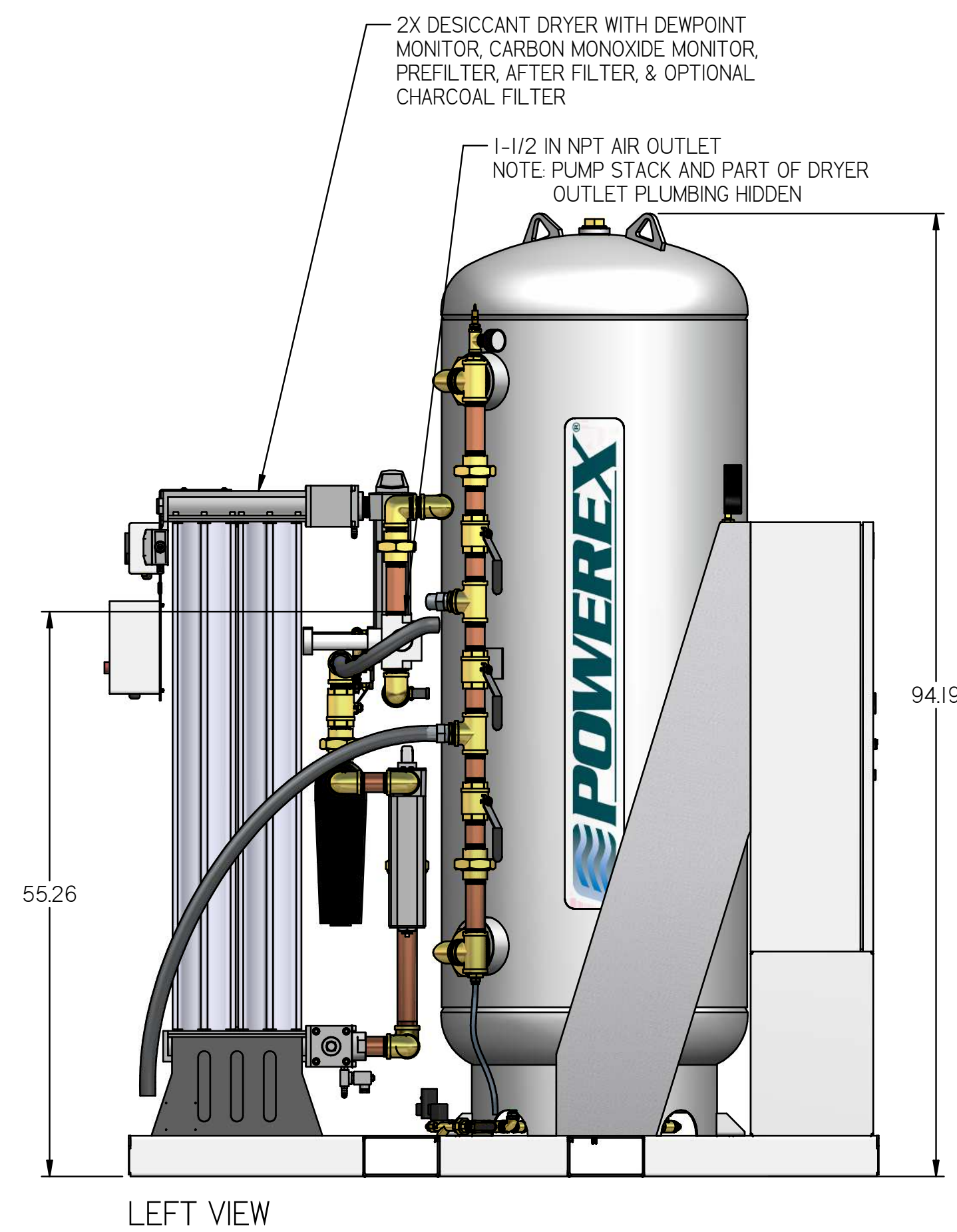
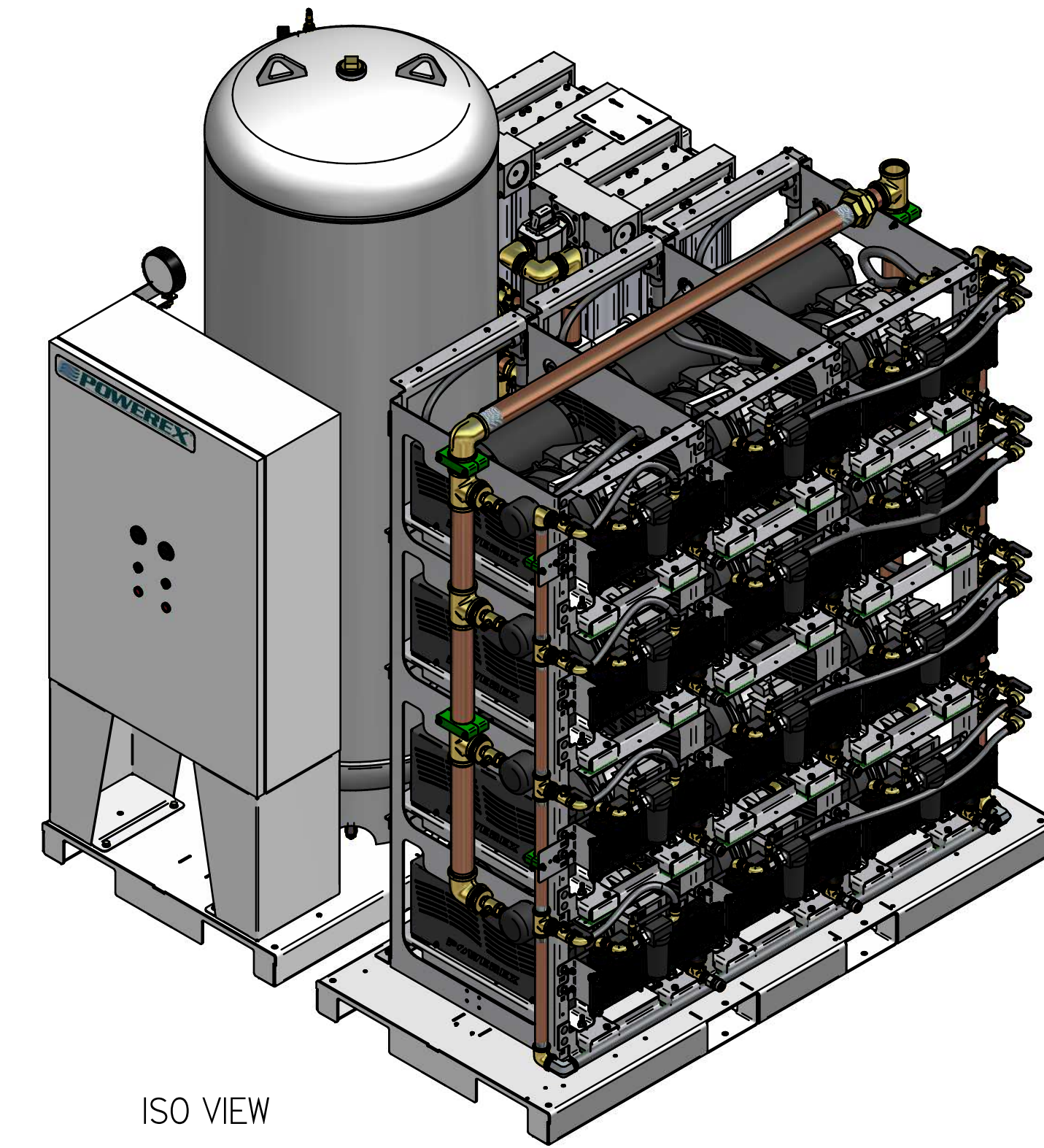
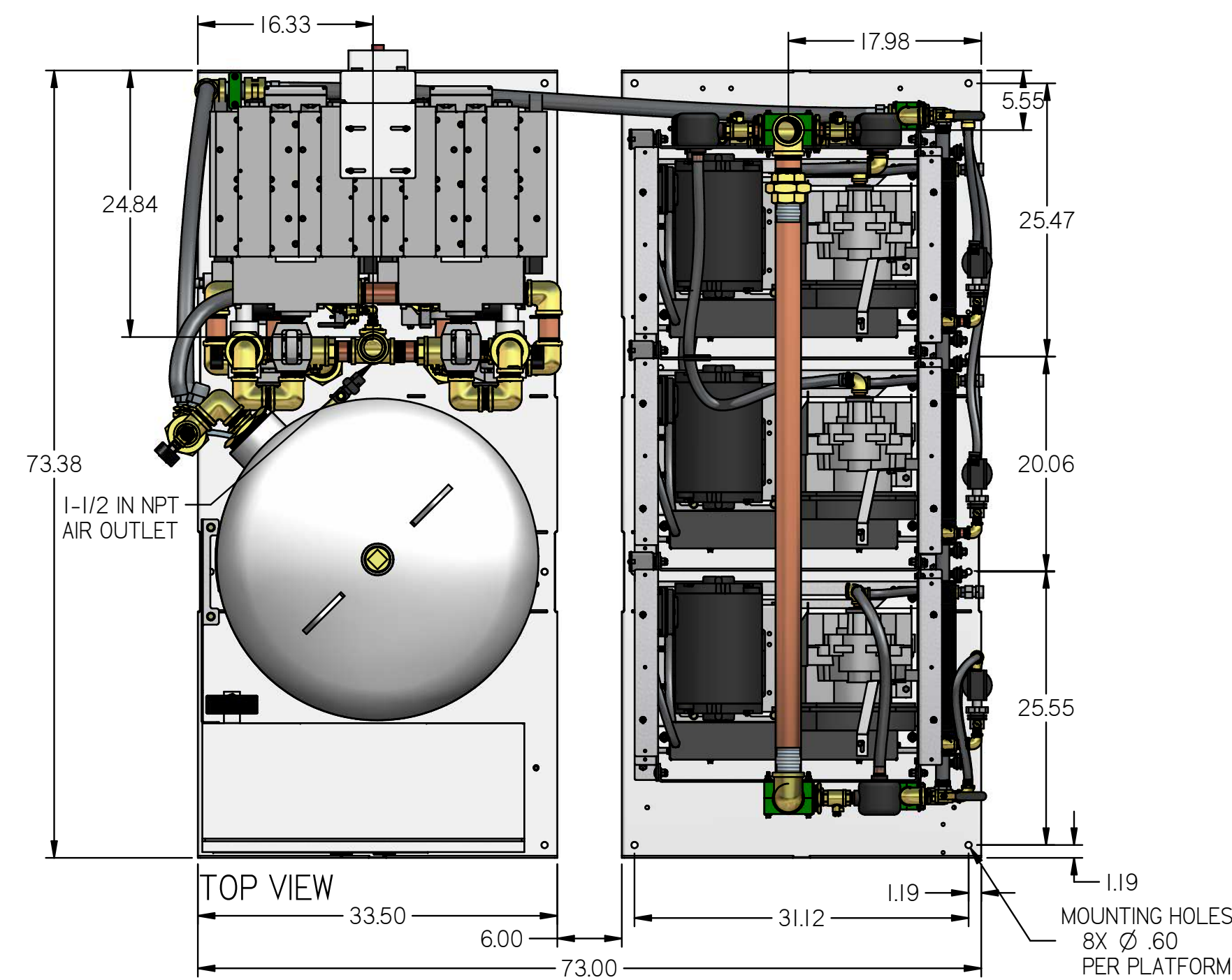
SYMBOL LEGEND		DRAWINGS TO CONFORM TO CURRENT REVISION OF THE FOLLOWING ANSI STANDARDS:	
TOLERANCES NOT SPECIFIED		Y14.3 MULTI AND SECTIONAL VIEW DIMS	
0.00X ± .01		Y14.5 DIMENSIONING AND TOLERANCING	
0.00X ± .005		DO NOT SCALE DRAWING FOR DIMENSIONS	
± .5		SHEET 1 OF 5	
CONFIDENTIAL DISCLOSURE: This drawing is the property of POWEREX of the SCOTT FETTER COMPANY and is subject to return on demand. Its contents are confidential and must not be copied or submitted to outside parties for use or examination.		SCALE 1/12.5	
MATERIAL		APPROVALS ON FILE IN PLM	
---		AUTHOR ORIGINATION DATE	
716810		ASoulek 10/30/2018	
---		APPROVALS ON FILE IN PLM	
DESCRIPTION		DRAWING NUMBER	
MEDICAL OPEN SCROLL 15 HP QUADPLEX WITH 240 GALLON TANK		MSQ15A6	
---		REVISION	
---		B	
---		D	



REVISION NOTES		
DESCRIPTION	ECN	PR/NOR
PRODUCTION RELEASE	PXECO169	N/A

MSQ15A6

MEDICAL OPEN SCROLL 15
HP QUADPLEX WITH 240
GALLON TANK
BASIC PANEL



- NOTES:
1. APPROX SYSTEM WEIGHT: 5619 LB
2. 24" MINIMUM MAINTENANCE CLEARANCE RECOMMENDED ALL SIDES. CLEARANCE FOR CONTROL PANEL SHALL BE IN ACCORDANCE WITH OSHA/NEC REQUIREMENTS

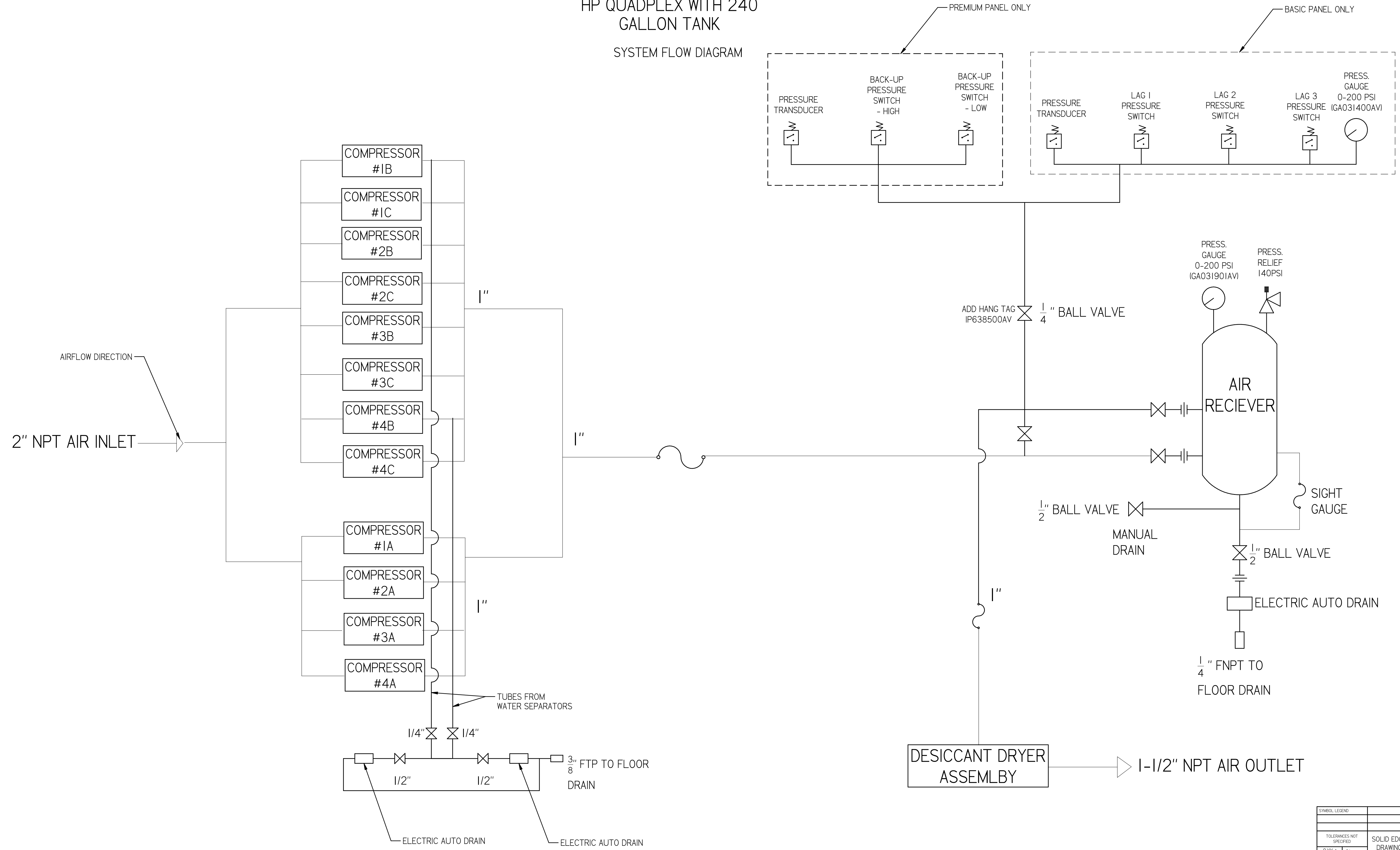
SYMBOL LEGEND		DRAWINGS TO CONFORM TO CURRENT REVISION OF THE FOLLOWING ANSI STANDARDS:		
TOLERANCES NOT SPECIFIED	SOLID EDGE DRAWING	DO NOT SCALE DRAWING FOR DIMENSIONS		
0.XXX ± .01	INCH	SHEET 2 OF 5	SCALE	1/12.5
0.XXX ± .005				
<small>CONFIDENTIAL DISCLOSURE: This drawing is the property of POWEREX of the SCOTT FETTER COMPANY and is subject to return on demand. Its contents are confidential and must not be copied or submitted to outside parties for use or examination.</small>		AUTHOR	ORIGINATION DATE	APPROVALS ON FILE IN PLM
<small>CONFIDENTIAL DISCLOSURE: This drawing is the property of POWEREX of the SCOTT FETTER COMPANY and is subject to return on demand. Its contents are confidential and must not be copied or submitted to outside parties for use or examination.</small>		ASoulek	10/30/2016	
<small>CONFIDENTIAL DISCLOSURE: This drawing is the property of POWEREX of the SCOTT FETTER COMPANY and is subject to return on demand. Its contents are confidential and must not be copied or submitted to outside parties for use or examination.</small>				
<small>CONFIDENTIAL DISCLOSURE: This drawing is the property of POWEREX of the SCOTT FETTER COMPANY and is subject to return on demand. Its contents are confidential and must not be copied or submitted to outside parties for use or examination.</small>		<small>150 PRODUCTION DRIVE, HARRISON OH 45030 (888) 768-7079</small>		
<small>CONFIDENTIAL DISCLOSURE: This drawing is the property of POWEREX of the SCOTT FETTER COMPANY and is subject to return on demand. Its contents are confidential and must not be copied or submitted to outside parties for use or examination.</small>		DRAWING NUMBER	REVISION	SIZE
<small>CONFIDENTIAL DISCLOSURE: This drawing is the property of POWEREX of the SCOTT FETTER COMPANY and is subject to return on demand. Its contents are confidential and must not be copied or submitted to outside parties for use or examination.</small>		MSQ15A6	B	D

REVISION NOTES		
DESCRIPTION	ECN	PR/NOR
PRODUCTION RELEASE	PXECO169	N/A

MSQ15A6

MEDICAL OPEN SCROLL 15 HP QUADPLEX WITH 240 GALLON TANK

SYSTEM FLOW DIAGRAM

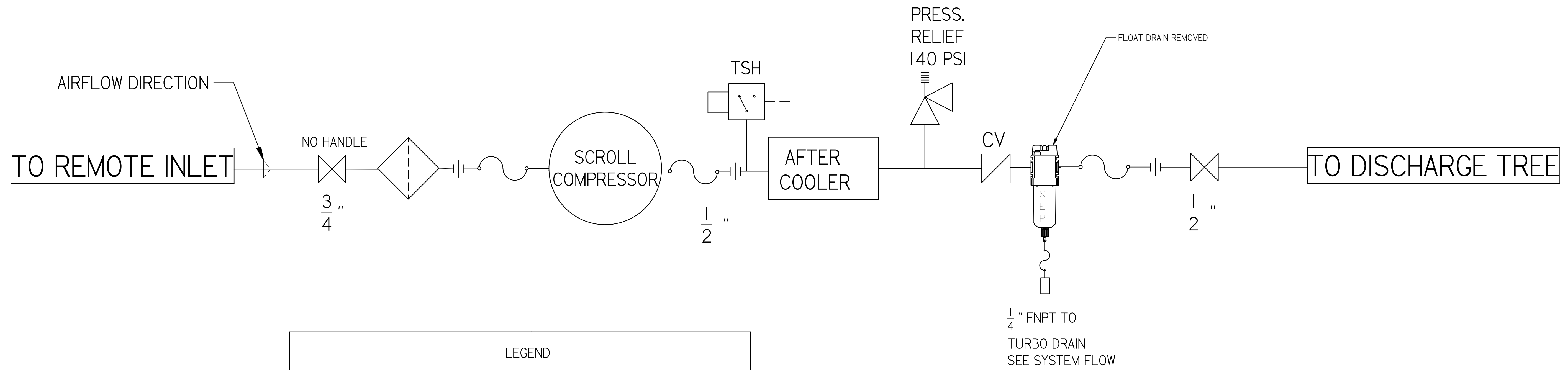


SYMBOL LEGEND		DRAWINGS TO CONFORM TO CURRENT REVISION OF THE FOLLOWING ANSI STANDARDS:	
TOLERANCES NOT SPECIFIED:		Y14.3 MULTI AND SECTIONAL VIEW DIMS	
0.001 ± .01	SOLID EDGE DRAWING	Y14.5 DIMENSIONING AND TOLERANCING	
0.0005 ± .005		DO NOT SCALE DRAWING FOR DIMENSIONS	
± .5	INCH	SHEET 3 OF 5	SCALE 1:1
<small>CONFIDENTIAL DISCLOSURE</small> <small>This drawing is the property of POWEREX of the SCOTT FETTER COMPANY and is subject to return on demand. Its contents are confidential and must not be copied or submitted to outside parties for use or examination.</small>		AUTHOR	APPROVALS ON FILE IN PLM
<small>CONFIDENTIAL DISCLOSURE</small> <small>This drawing is the property of POWEREX of the SCOTT FETTER COMPANY and is subject to return on demand. Its contents are confidential and must not be copied or submitted to outside parties for use or examination.</small>		ORIGINATION DATE	10/30/2018
<small>CONFIDENTIAL DISCLOSURE</small> <small>This drawing is the property of POWEREX of the SCOTT FETTER COMPANY and is subject to return on demand. Its contents are confidential and must not be copied or submitted to outside parties for use or examination.</small>			
<small>CONFIDENTIAL DISCLOSURE</small> <small>This drawing is the property of POWEREX of the SCOTT FETTER COMPANY and is subject to return on demand. Its contents are confidential and must not be copied or submitted to outside parties for use or examination.</small>		<small>150 PRODUCTION DRIVE, HARRISON OH 45030</small> <small>888-768-7079</small>	
<small>CONFIDENTIAL DISCLOSURE</small> <small>This drawing is the property of POWEREX of the SCOTT FETTER COMPANY and is subject to return on demand. Its contents are confidential and must not be copied or submitted to outside parties for use or examination.</small>		DRAWING NUMBER	MSQ15A6
<small>CONFIDENTIAL DISCLOSURE</small> <small>This drawing is the property of POWEREX of the SCOTT FETTER COMPANY and is subject to return on demand. Its contents are confidential and must not be copied or submitted to outside parties for use or examination.</small>		REVISION	B
<small>CONFIDENTIAL DISCLOSURE</small> <small>This drawing is the property of POWEREX of the SCOTT FETTER COMPANY and is subject to return on demand. Its contents are confidential and must not be copied or submitted to outside parties for use or examination.</small>		SIZE	D

REVISION NOTES		
DESCRIPTION	ECN	PR/NOR
PRODUCTION RELEASE	PXECO169	N/A

MSQ15A6

MEDICAL OPEN SCROLL 15
HP QUADPLEX WITH 240
GALLON TANK
MEDICAL COMPRESSOR
FLOW DIAGRAM



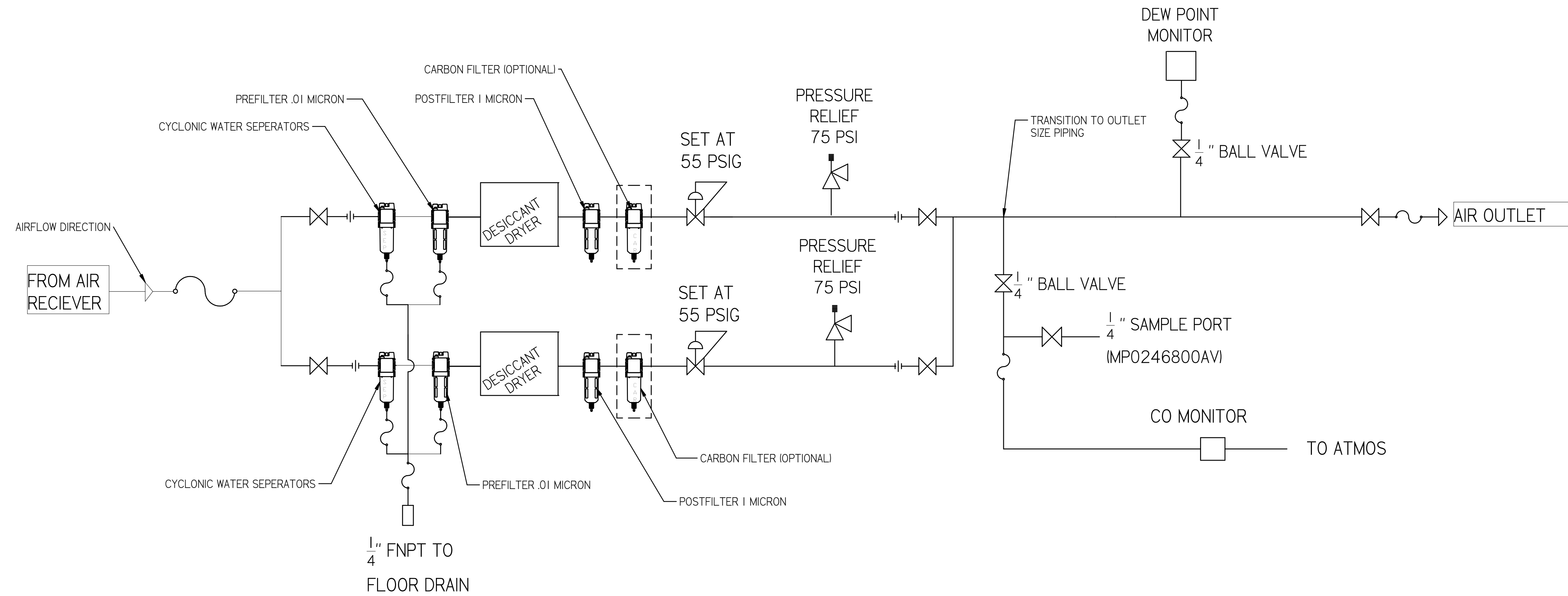
LEGEND	
	RELIEF VALVE
	INTAKE FILTER
	AIR FILTER
	3 WAY VALVE
	CARBON FILTER
	BALL VALVE
	PRESSURE SWITCH
	REGULATOR
	SEPARATOR
	CHECK VALVE
	FLEX LINE
	TSH HIGH TEMP SWITCH

SYMBOL LEGEND	DRAWINGS TO CONFORM TO CURRENT REVISION OF THE FOLLOWING ANSI STANDARDS: Y14.3 MULTI AND SECTIONAL VIEW DWGS Y14.5 DIMENSIONING AND TOLERANCING		
TOLERANCES NOT SPECIFIED	SOLID EDGE DRAWING	DO NOT SCALE DRAWING FOR DIMENSIONS	
0.XXX ± .01	INCH	SHEET 4 OF 5	SCALE 1:1
0.XXX ± .005			
0.005 ± .005			
CONFIDENTIAL DISCLOSURE This drawing is the property of POWEREX of the SCOTT FETTER COMPANY and is subject to return on demand. Its contents are confidential and must not be copied or submitted to outside parties for use or examination.	AUTHOR	ORIGINATION DATE	APPROVALS ON FILE IN PLM
716810	ASoulek	10/30/2016	
MATERIAL			
---	150 PRODUCTION DRIVE, HARRISON OH 45030 888-768-7079		
DESCRIPTION MEDICAL OPEN SCROLL 15 HP QUADPLEX WITH 240 GALLON TANK	DRAWING NUMBER MSQ15A6	REVISION B	SIZE D

REVISION NOTES		
DESCRIPTION	ECN	PR/NOR
PRODUCTION RELEASE	PXECO169	N/A

MSQ15A6

MEDICAL OPEN SCROLL 15
HP QUADPLEX WITH 240
GALLON TANK
MEDICAL DRYER
FLOW DIAGRAM



PIPE SIZE CHART		
PUMP COUNT	DRYER PLUMBING SIZE	OUTLET PIPE SIZE
2	1/2"	1/2"
3	1/2"	1"
4	1/2"	1"
6	1"	1-1/2"
8	1"	1-1/2"
9	1"	1-1/2"
12	1-1/2"	2"
15	1-1/2"	2"
18	1-1/2"	2"

SYMBOL LEGEND		DRAWINGS TO CONFORM TO CURRENT REVISION OF THE FOLLOWING ANSI STANDARDS: Y14.3 MULTI AND SECTIONAL VIEW DIMS Y14.5 DIMENSIONING AND TOLERANCING	
TOLERANCES NOT SPECIFIED	SOLID EDGE DRAWING	DO NOT SCALE DRAWING FOR DIMENSIONS	
0.XXX ± .01		SHEET 5 OF 5	SCALE 1:1
0.XXX ± .005	AUTHOR		
± .5		ASoulek	10/30/2018
<small>CONFIDENTIAL DISCLOSURE</small> This drawing is the property of POWEREX of the SCOTT FETTER COMPANY and is subject to return on demand. Its contents are confidential and must not be copied or submitted to outside parties for use or examination.			
ITEM NO: 716810	MATERIAL: ---		<small>ISO PRODUCTION DRAWING HARRISON OH 45030 888-768-7079</small>
DESCRIPTION MEDICAL OPEN SCROLL 15 HP QUADPLEX WITH 240 GALLON TANK	DRAWING NUMBER MSQ15A6	REVISION B	SIZE D