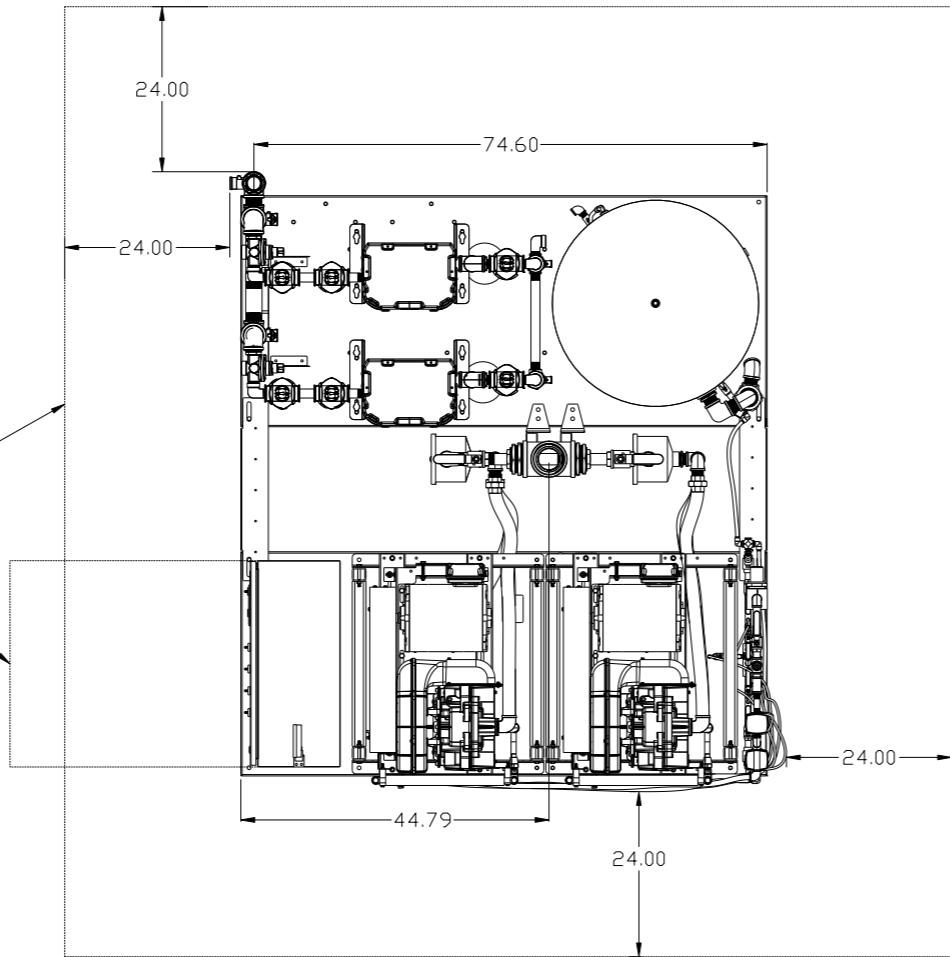
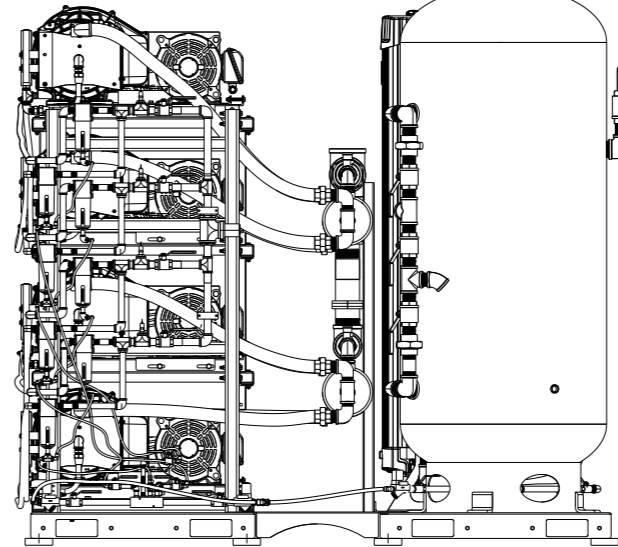
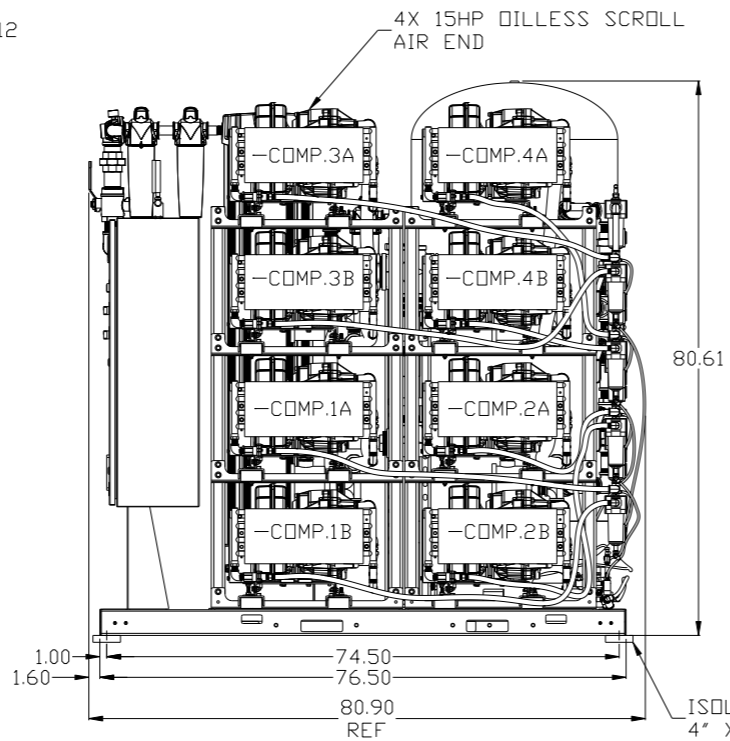
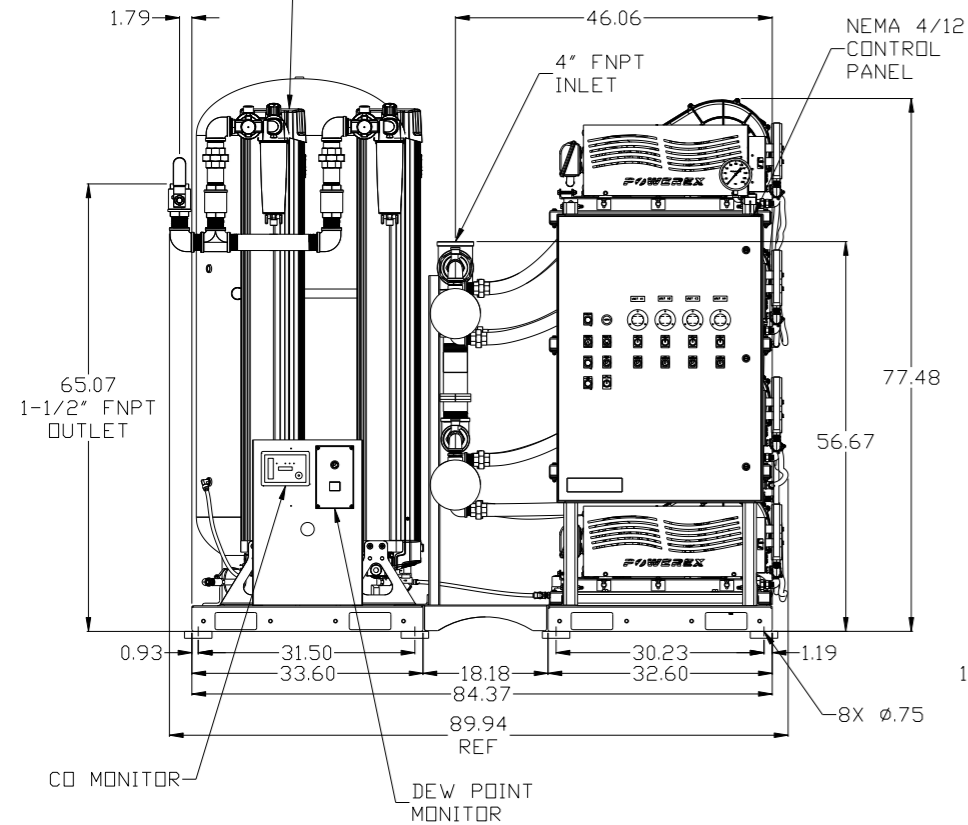


REV	ZONE	REVISION	DATE	ECN	NAME	CHKD
B-1	ALL	RELEASE TO PRODUCTION	2/23/15	PXEC005	JBE	AEK
C-1	ALL	UPDATED TO CURRENT PRODUCTION STANDARDS	2/11/16	PXEC0137	AEK	GES
D-1	2 ALL	CORRECTED SEPARATOR BRAIN LINES TO 1/4"	1/18/17	PXEC0167	MJD	GES
	2 ALL	ADDED NOTE TO REMOVE SEPARATOR FLOAT				
	1 ALL	CORRECTED VIEW POSITIONING				
	1 ALL	ADDED OUTLINE FOR RECOMMENDED CLEARANCES				



2X DESICCANT DRYER
W/ DEW POINT MONITOR,
CARBON MONOXIDE MONITOR,
PRE-FILTER, AFTER-FILTER,
& CARBON FILTER (OPTIONAL).

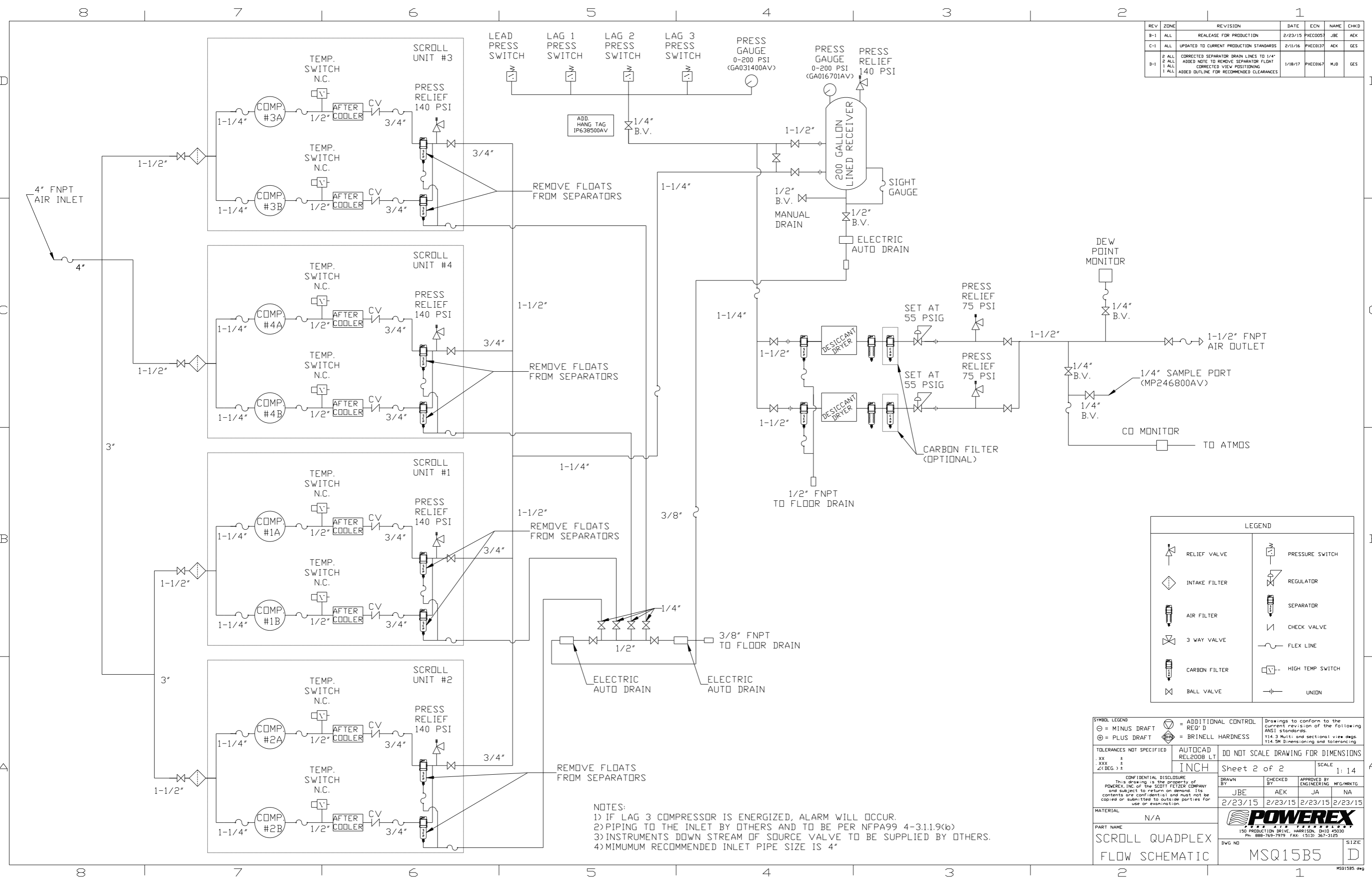
200 GALLON ASME
AIR RECEIVER
INTERNALLY LINED



NOTE: SYSTEM DESIGNED IN
COMPLIANCE WITH US NFPA'99,
LATEST EDITION.

SYMBOL LEGEND		= ADDITIONAL CONTROL REQ'D		Drawings to conform to the current revision of the following ANSI standards:	
⊖	MINUS DRAFT	⊕	PLUS DRAFT	⊖	Y14.3 Multi and sectional view dsgs.
⊕	PLUS DRAFT	⊖	MINUS DRAFT	⊖	Y14.5M Dimensioning and tolerancing
⊖	MINUS DRAFT	⊕	PLUS DRAFT	⊖	Y14.75 Dimensioning and tolerancing
TOLERANCES NOT SPECIFIED		AUTOCAD REL2008 LT		DO NOT SCALE DRAWING FOR DIMENSIONS	
.XX ±		INCH		Sheet 1 of 2	
.XXX ±				SCALE 1:14	
<< DEG ±					
CONFIDENTIAL DISCLOSURE					
This drawing is the property of POWEREX, INC. of the SCOTT FELTZER COMPANY and subject to return on demand. Its contents are confidential and must not be copied or submitted to outside parties for use or examination.					
DRAWN BY		CHECKED BY		APPROVED BY	
JBE		AEK		JA NA	
2/23/15		2/23/15		2/23/15 2/23/15	
MATERIAL		N/A		POWEREX	
PART NAME		15HP 200 GAL MED		150 PRODUCTION DRIVE, HARRISON, OHIO 45030	
BASIC QUAD SCROLL				Ph: 888-769-7979 FAX: (513) 367-3125	
DWG NO		MSQ15B5		SIZE D	

REV	ZONE	REVISION	DATE	ECN	NAME	CHKD
B-1	ALL	RELEASE FOR PRODUCTION	2/23/15	PXEC0057	JBE	AEK
C-1	ALL	UPDATED TO CURRENT PRODUCTION STANDARDS	2/11/16	PXEC0137	AEK	GES
D-1	2 ALL 2 ALL 1 ALL 1 ALL	CORRECTED SEPARATOR DRAIN LINES TO 1/4" ADDED NOTE TO REMOVE SEPARATOR FLOAT CORRECTED VIEW POSITIONING ADDED OUTLINE FOR RECOMMENDED CLEARANCES	1/18/17	PXEC0167	MJD	GES

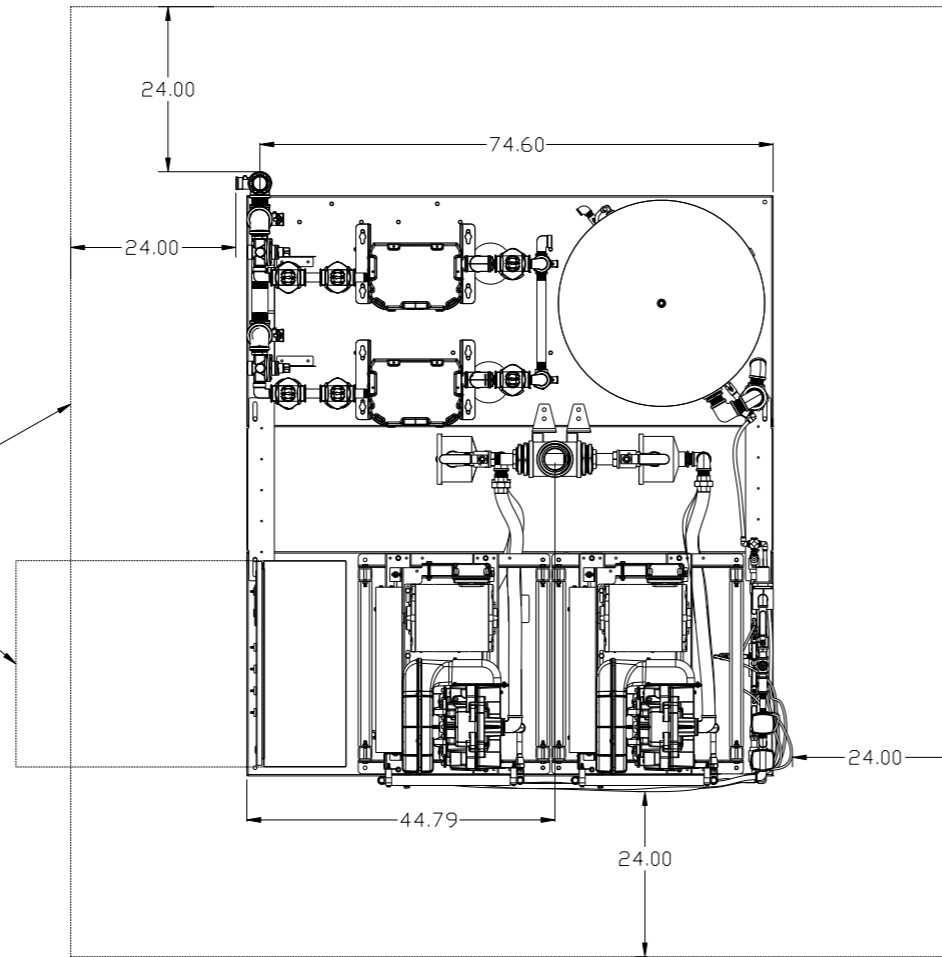


LEGEND	
	RELIEF VALVE
	INTAKE FILTER
	AIR FILTER
	3 WAY VALVE
	CARBON FILTER
	BALL VALVE
	PRESSURE SWITCH
	REGULATOR
	SEPARATOR
	CHECK VALVE
	FLEX LINE
	HIGH TEMP SWITCH
	UNION

NOTES:
 1) IF LAG 3 COMPRESSOR IS ENERGIZED, ALARM WILL OCCUR.
 2) PIPING TO THE INLET BY OTHERS AND TO BE PER NFPA99 4-3.1.1.9(b)
 3) INSTRUMENTS DOWN STREAM OF SOURCE VALVE TO BE SUPPLIED BY OTHERS.
 4) MINIMUM RECOMMENDED INLET PIPE SIZE IS 4"

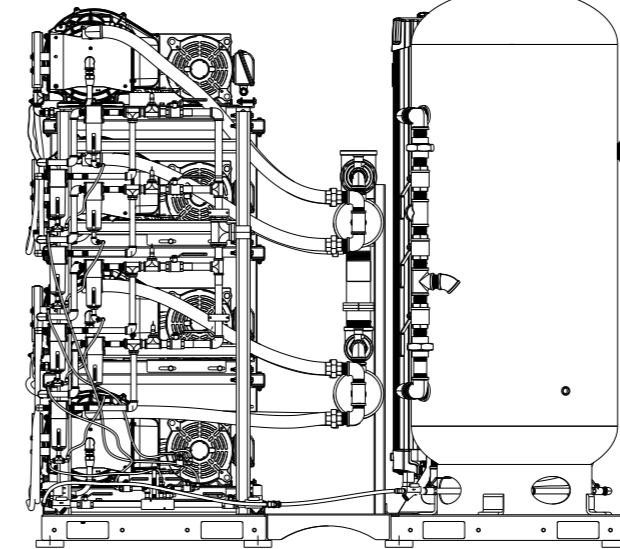
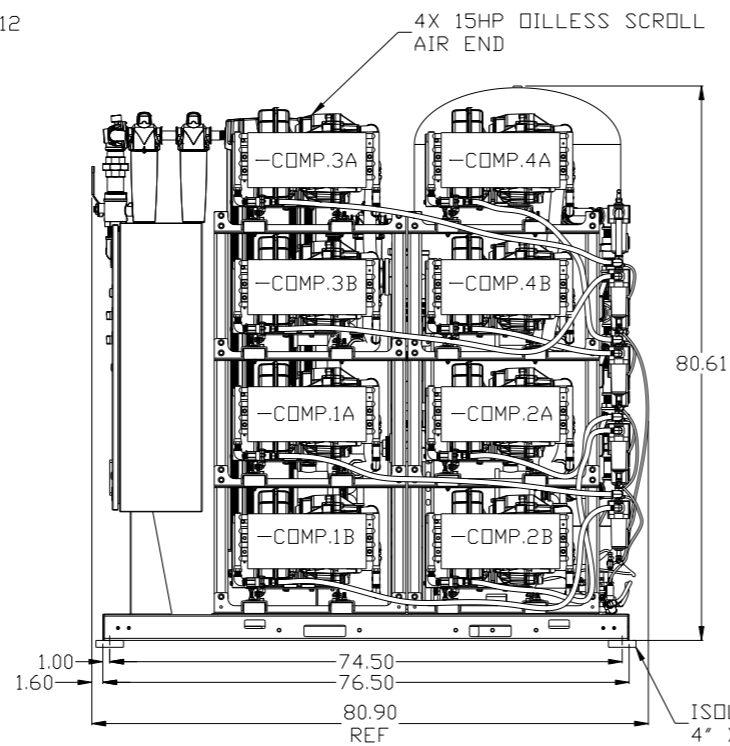
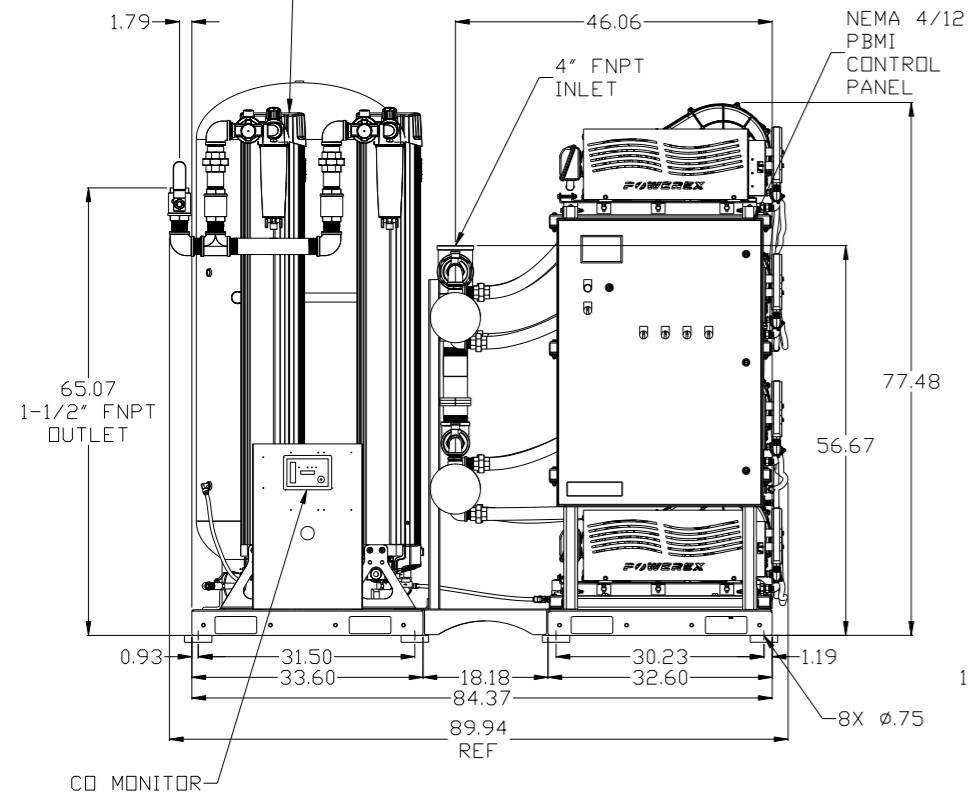
SYMBOL LEGEND		= ADDITIONAL CONTROL REQ'D		Drawings to conform to the current revision of the following ANSI standards	
= MINUS DRAFT		= BRINELL HARDNESS		Y14.3 Multi and sectional view dsgs. Y14.5M Dimensioning and tolerancing	
= PLUS DRAFT					
TOLERANCES NOT SPECIFIED		AUTOCAD REL2008 LT		DO NOT SCALE DRAWING FOR DIMENSIONS	
.XX ±		INCH		Sheet 2 of 2	
.XXX ±				SCALE 1:14	
<DEG> ±					
CONFIDENTIAL DISCLOSURE This drawing is the property of POWEREX, INC. of the SCOTT FETZER COMPANY and subject to return on demand. Its contents are confidential and must not be copied or submitted to outside parties for use or examination.					
DRAWN BY		CHECKED BY		APPROVED BY	
JBE		AEK		JA NA	
2/23/15		2/23/15		2/23/15 2/23/15	
MATERIAL N/A					
PART NAME				DRAWING NO	
SCROLL QUADPLEX FLOW SCHEMATIC				MSQ15B5	
				SIZE D	

REV	ZONE	REVISION	DATE	ECN	NAME	CHKD
B-1	ALL	RELEASE TO PRODUCTION	2/23/15	PXEC005	JBE	AEK
C-1	ALL	UPDATED TO CURRENT PRODUCTION STANDARDS	2/11/16	PXEC017	AEK	GES
D-1	2 ALL 2 ALL 1 ALL 1 ALL	CORRECTED SEPARATOR DRAIN LINES TO 1/4" ADDED NOTE TO REMOVE SEPARATOR FLOAT CORRECTED VIEW POSITIONING ADDED OUTLINE FOR RECOMMENDED CLEARANCES	1/18/17	PXEC017	MJD	GES



2X DESICCANT DRYER
W/ CARBON MONOXIDE MONITOR,
PRE-FILTER, AFTER-FILTER,
& CARBON FILTER (OPTIONAL).

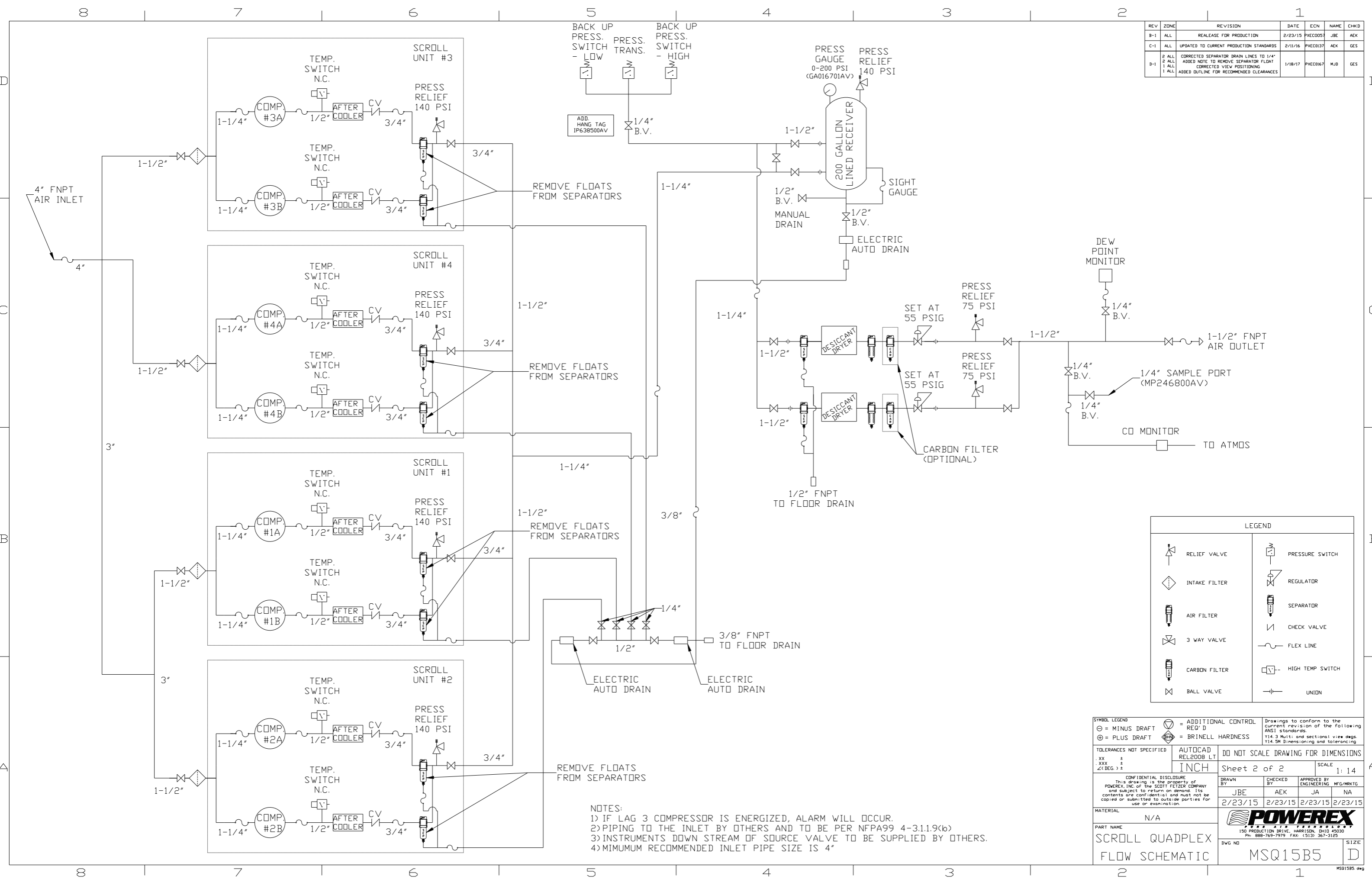
200 GALLON ASME
AIR RECEIVER
INTERNALLY LINED



NOTE: SYSTEM DESIGNED IN
COMPLIANCE WITH US NFPA'99,
LATEST EDITION.

SYMBOL LEGEND		= ADDITIONAL CONTROL REQ'D		Drawings to conform to the current revision of the following ANSI standards:	
\ominus	MINUS DRAFT	\oplus	PLUS DRAFT	Y14.3 Multi and sectional view dgs.	Y14.5M Dimensioning and tolerancing
\diamond	BRINELL HARDNESS				
TOLERANCES NOT SPECIFIED		AUTOCAD REL2008 LT	DO NOT SCALE DRAWING FOR DIMENSIONS		
.XX	\pm	INCH	Sheet 1 of 2	SCALE 1:14	
.XXX	\pm				
\angle (DEG)	\pm				
CONFIDENTIAL DISCLOSURE This drawing is the property of POWEREX, INC. of the SCOTT FEITZER COMPANY and subject to return on demand. Its contents are confidential and must not be copied or submitted to outside parties for use or examination.					
DRAWN BY	CHECKED BY	APPROVED BY	ENGINEERING	MFG/MKTG	
JBE	AEK	JA	NA		
2/23/15	2/23/15	2/23/15	2/23/15	2/23/15	2/23/15
MATERIAL		N/A			
PART NAME		15HP 200 GAL MED PXMI QUAD SCROLL			
DWG NO		MSQ15B5		SIZE D	

REV	ZONE	REVISION	DATE	ECN	NAME	CHKD
B-1	ALL	RELEASE FOR PRODUCTION	2/23/15	PXEC005	JBE	AEK
C-1	ALL	UPDATED TO CURRENT PRODUCTION STANDARDS	2/11/16	PXEC017	AEK	GES
D-1	2 ALL 2 ALL 1 ALL 1 ALL	CORRECTED SEPARATOR DRAIN LINES TO 1/4" ADDED NOTE TO REMOVE SEPARATOR FLOAT CORRECTED VIEW POSITIONING ADDED OUTLINE FOR RECOMMENDED CLEARANCES	1/18/17	PXEC017	MJD	GES



	RELIEF VALVE		PRESSURE SWITCH
	INTAKE FILTER		REGULATOR
	AIR FILTER		SEPARATOR
	3 WAY VALVE		CHECK VALVE
	CARBON FILTER		FLEX LINE
	BALL VALVE		HIGH TEMP SWITCH
			UNION

NOTES:
 1) IF LAG 3 COMPRESSOR IS ENERGIZED, ALARM WILL OCCUR.
 2) PIPING TO THE INLET BY OTHERS AND TO BE PER NFPA99 4-3.1.1.9(b)
 3) INSTRUMENTS DOWN STREAM OF SOURCE VALVE TO BE SUPPLIED BY OTHERS.
 4) MINIMUM RECOMMENDED INLET PIPE SIZE IS 4"

SYMBOL LEGEND		= ADDITIONAL CONTROL REQ'D		Drawings to conform to the current revision of the following ANSI standards	
= MINUS DRAFT		= BRINELL HARDNESS		Y14.3 Multi and sectional view dgs. Y14.5M Dimensioning and tolerancing	
TOLERANCES NOT SPECIFIED		AUTOCAD REL2008 LT		DO NOT SCALE DRAWING FOR DIMENSIONS	
.XX ±		INCH		Sheet 2 of 2	
.XXX ±				SCALE 1:14	
<DEG> ±					
CONFIDENTIAL DISCLOSURE This drawing is the property of POWEREX, INC. of the SCOTT FETZER COMPANY and subject to return on demand. Its contents are confidential and must not be copied or submitted to outside parties for use or examination.					
DRAWN BY		CHECKED BY		APPROVED BY	
JBE		AEK		JA NA	
2/23/15		2/23/15		2/23/15 2/23/15	
MATERIAL N/A					
PART NAME SCROLL QUADPLEX FLOW SCHEMATIC				DWG NO MSQ15B5	
				SIZE D	