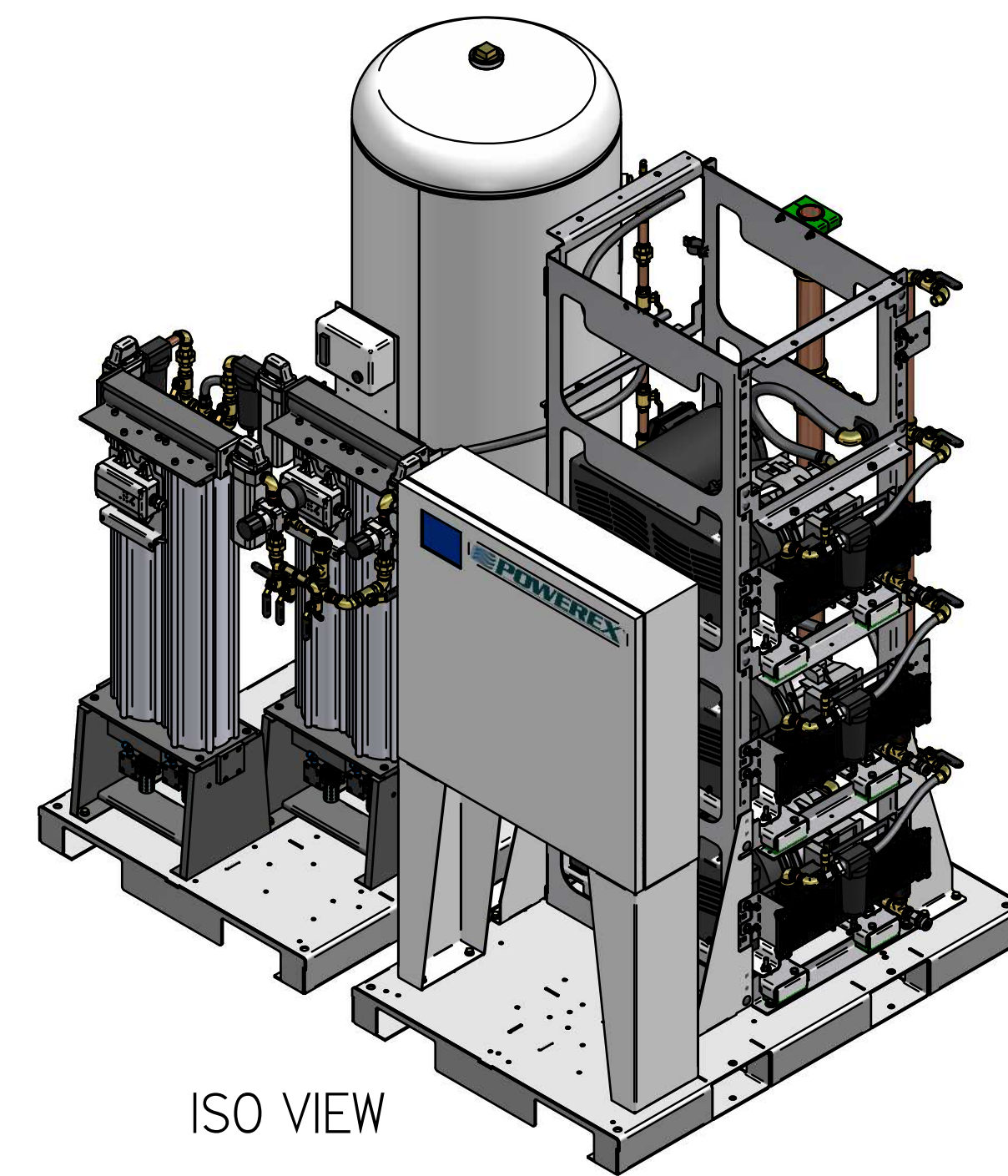
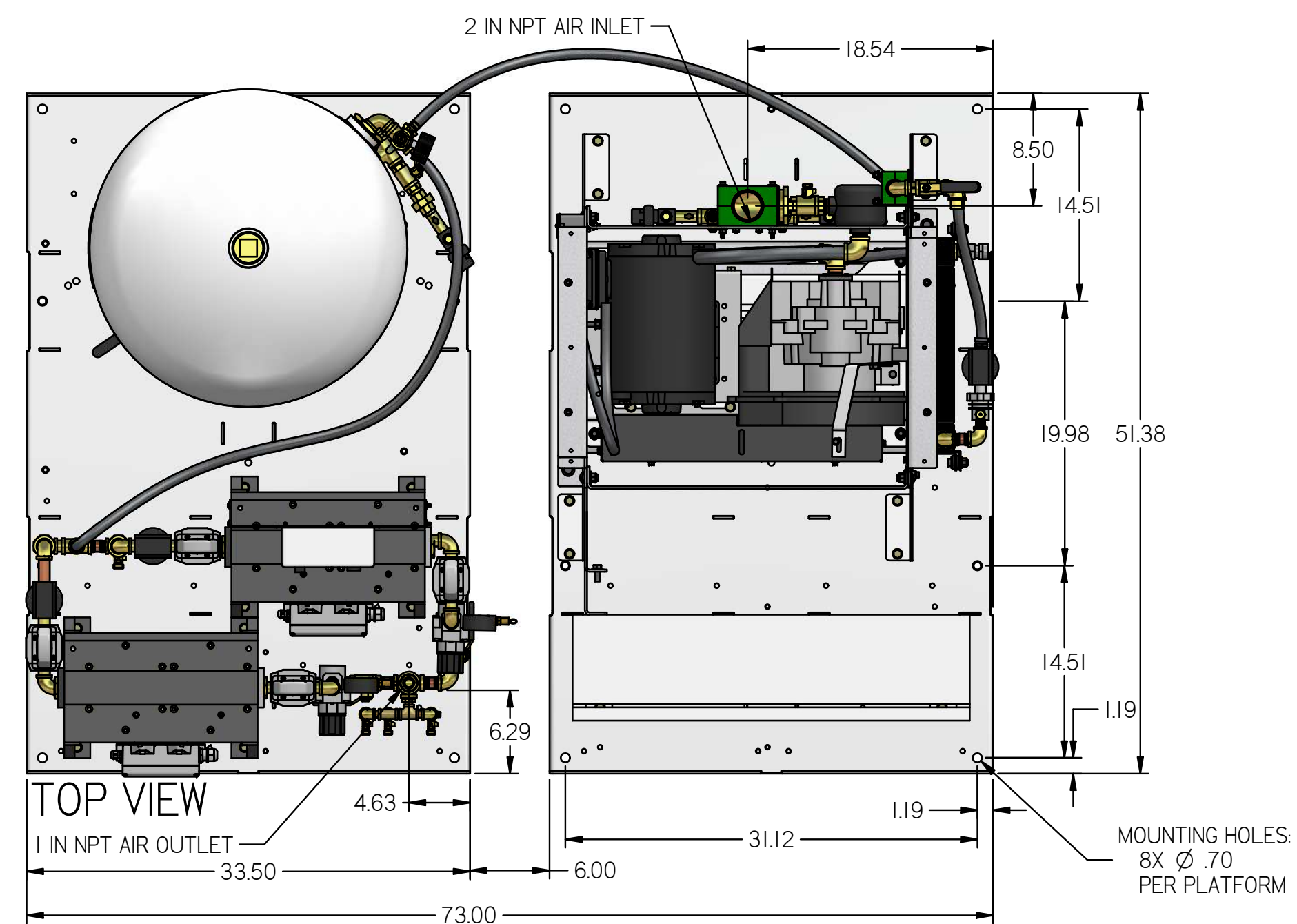


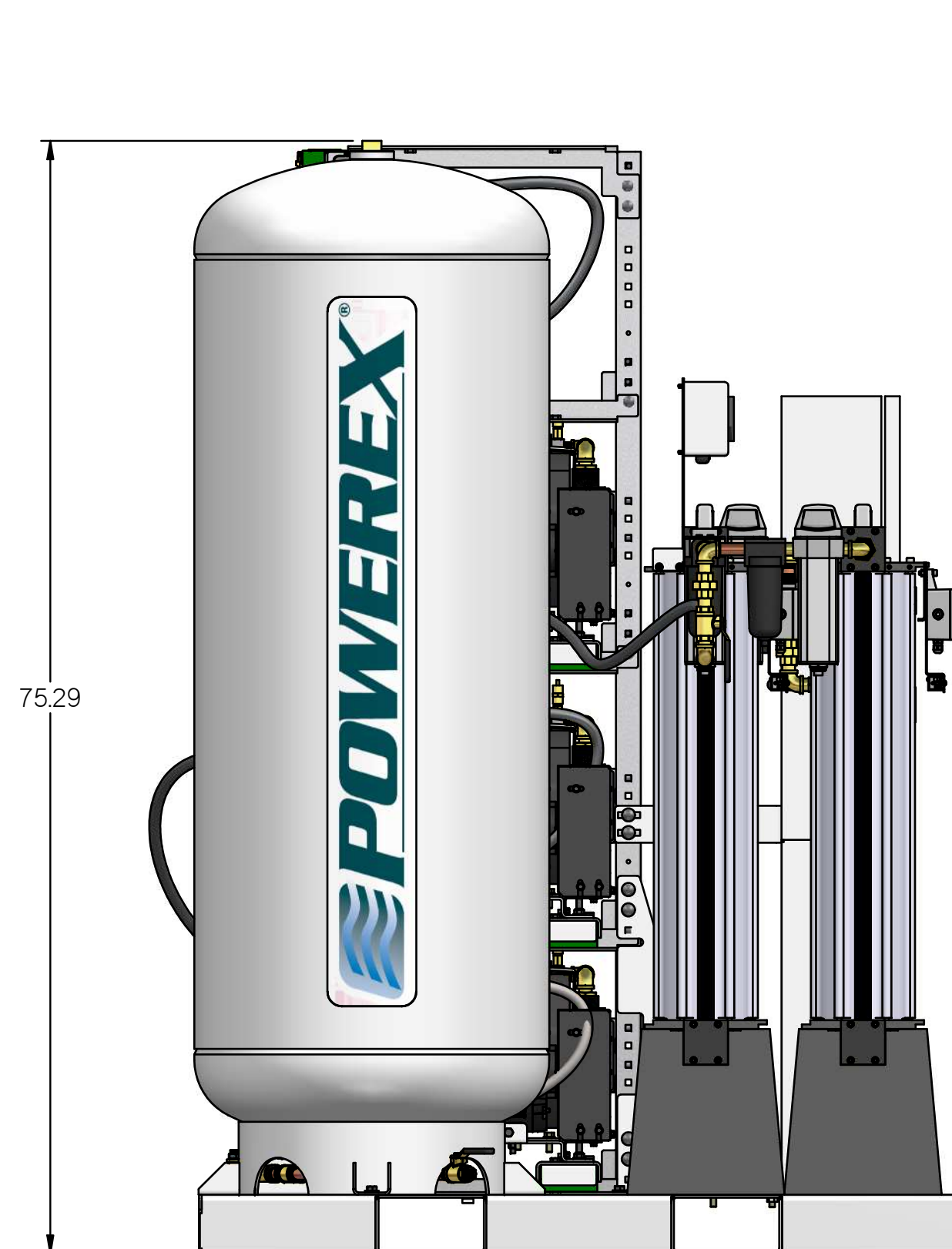
MSDOTA4-EX4

MEDICAL OPEN SCROLL
SYSTEM 5 HP EXPANDABLE
TRIPLEX 120 GALLON TANK
PREMIUM PANEL

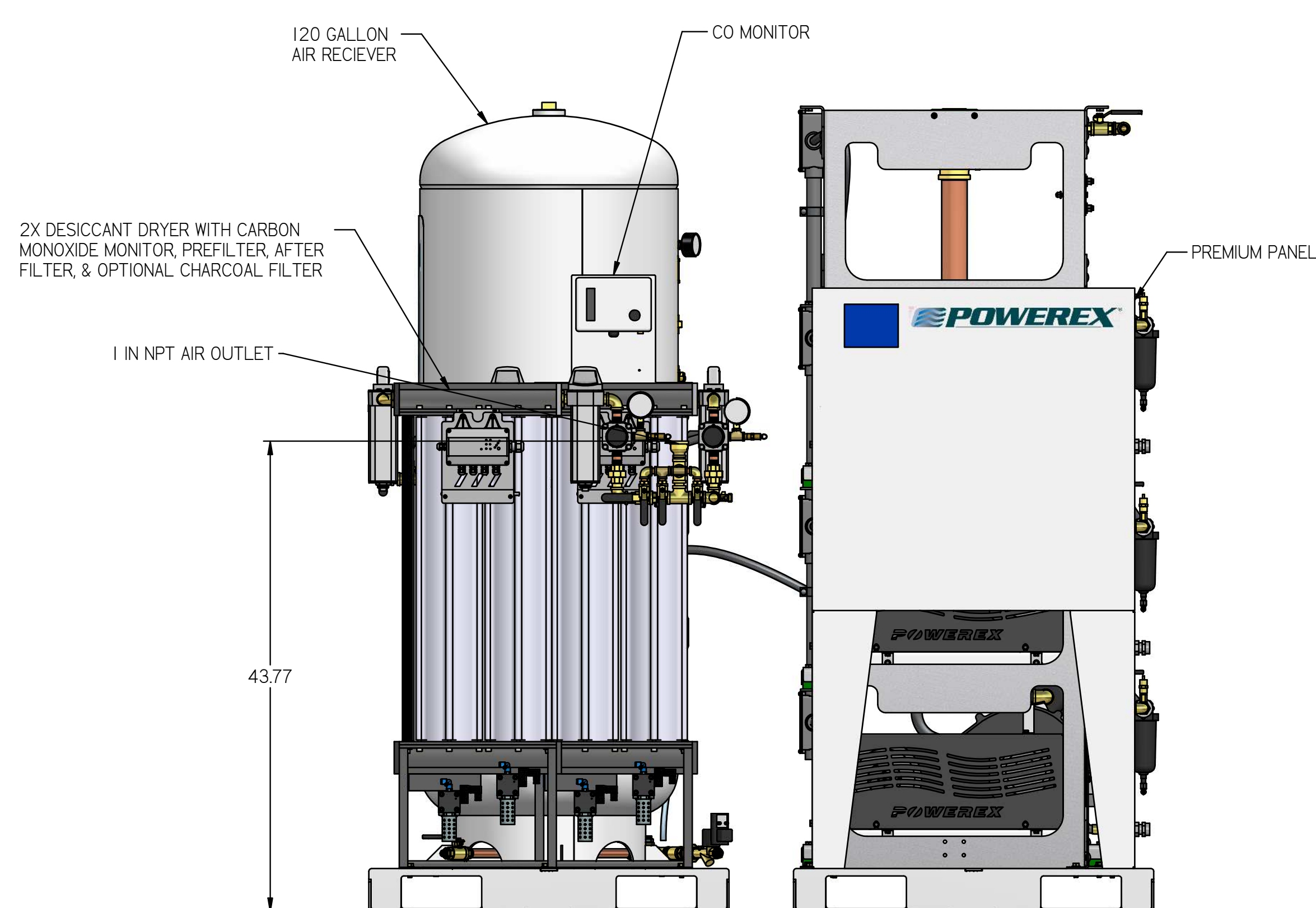
REVISION NOTES		
DESCRIPTION	ECN	PR/NOR
PRODUCTION RELEASE	PXECO169	N/A



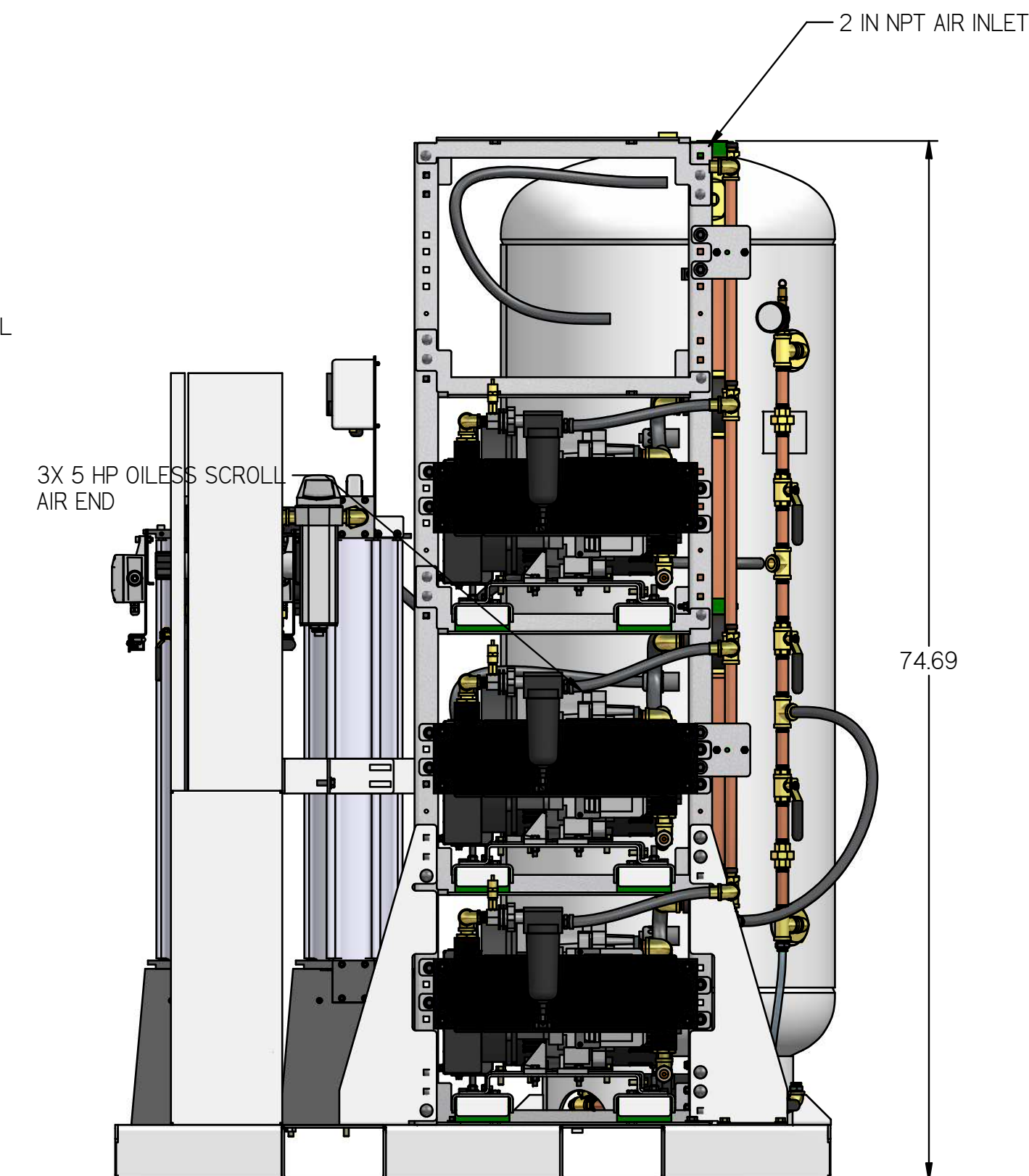
ISO VIEW



RIGHT VIEW



FRONT VIEW



LEFT VIEW

- NOTES:
1. APPROX SYSTEM WEIGHT: 1936 LB
2. 24" MINIMUM MAINTENANCE CLEARANCE RECOMMENDED ALL SIDES. CLEARANCE FOR CONTROL PANEL SHALL BE IN ACCORDANCE WITH OSHA/NEC REQUIREMENTS

SYMBOL LEGEND		DRAWINGS TO CONFORM TO CURRENT REVISION OF THE FOLLOWING ANSI STANDARDS:	
TOLERANCES NOT SPECIFIED	SOLID EDGE DRAWING	Y14.3 MULTI AND SECTIONAL VIEW DIMS	DO NOT SCALE DRAWING FOR DIMENSIONS
0.XXX ± .01	INCH	Y14.5 DIMENSIONING AND TOLERANCING	SHEET 1 OF 5
0.XXX ± .005		SCALE	
CONFIDENTIAL DISCLOSURE: This drawing is the property of POWEREX of the SCOTT FETTER COMPANY and is subject to return on demand. Its contents are confidential and must not be copied or submitted to outside parties for use or examination.		AUTHOR	APPROVALS ON FILE IN PLM
716206		ASoulek	10/11/2018
MATERIAL: SEE PART NOTES		DRAWING NUMBER: MSDOTA4-EX4	
DESCRIPTION: MEDICAL OPEN SCROLL SYSTEM 5 HP EXPANDABLE TRIPLEX 120 GALLON TANK		REVISION	SIZE
		A	D

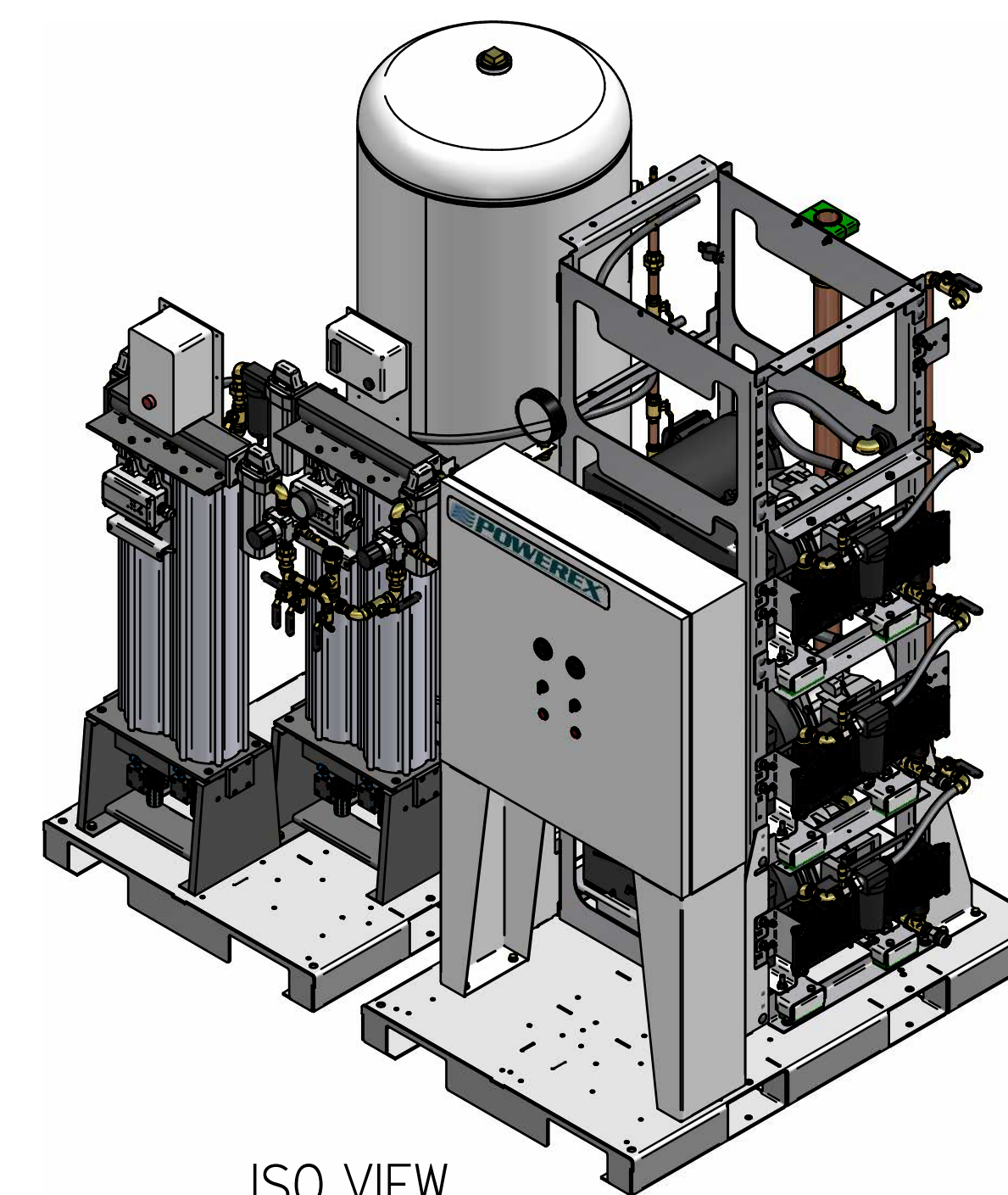
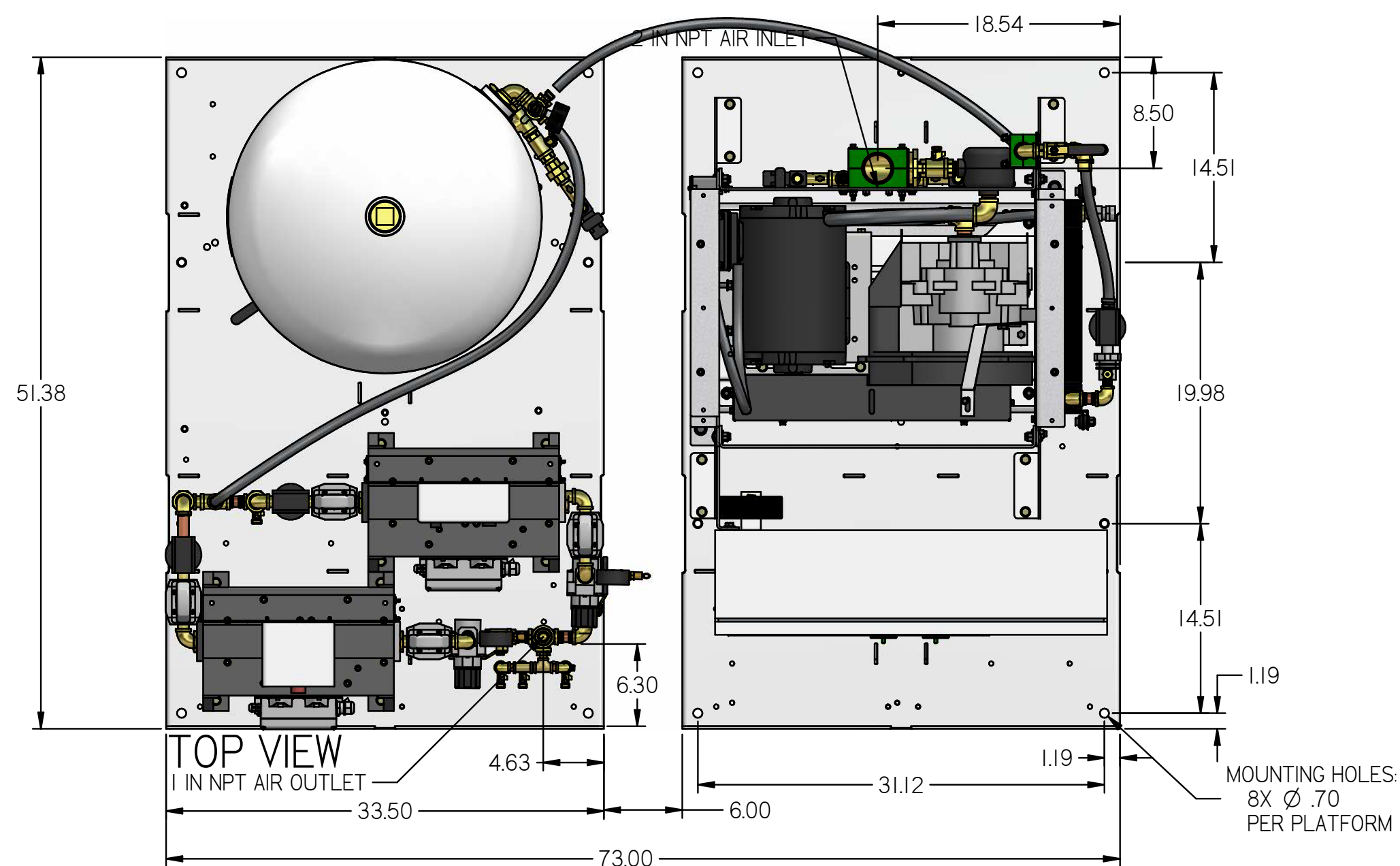


MSDOTA4-EX4

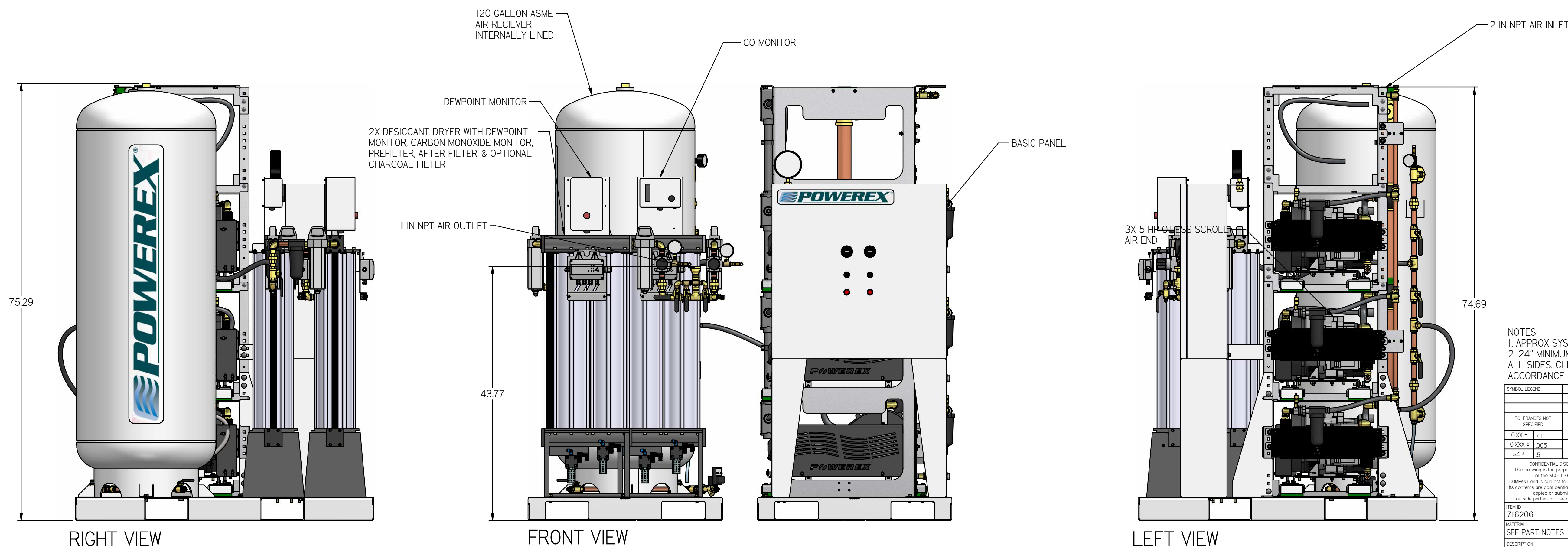
MEDICAL OPEN SCROLL
SYSTEM 5 HP EXPANDABLE
TRIPLEX 120 GALLON TANK

BASIC PANEL

REVISION NOTES		
DESCRIPTION	ECN	PR/NOR
PRODUCTION RELEASE	PXECO169	N/A



ISO VIEW



RIGHT VIEW

FRONT VIEW

LEFT VIEW

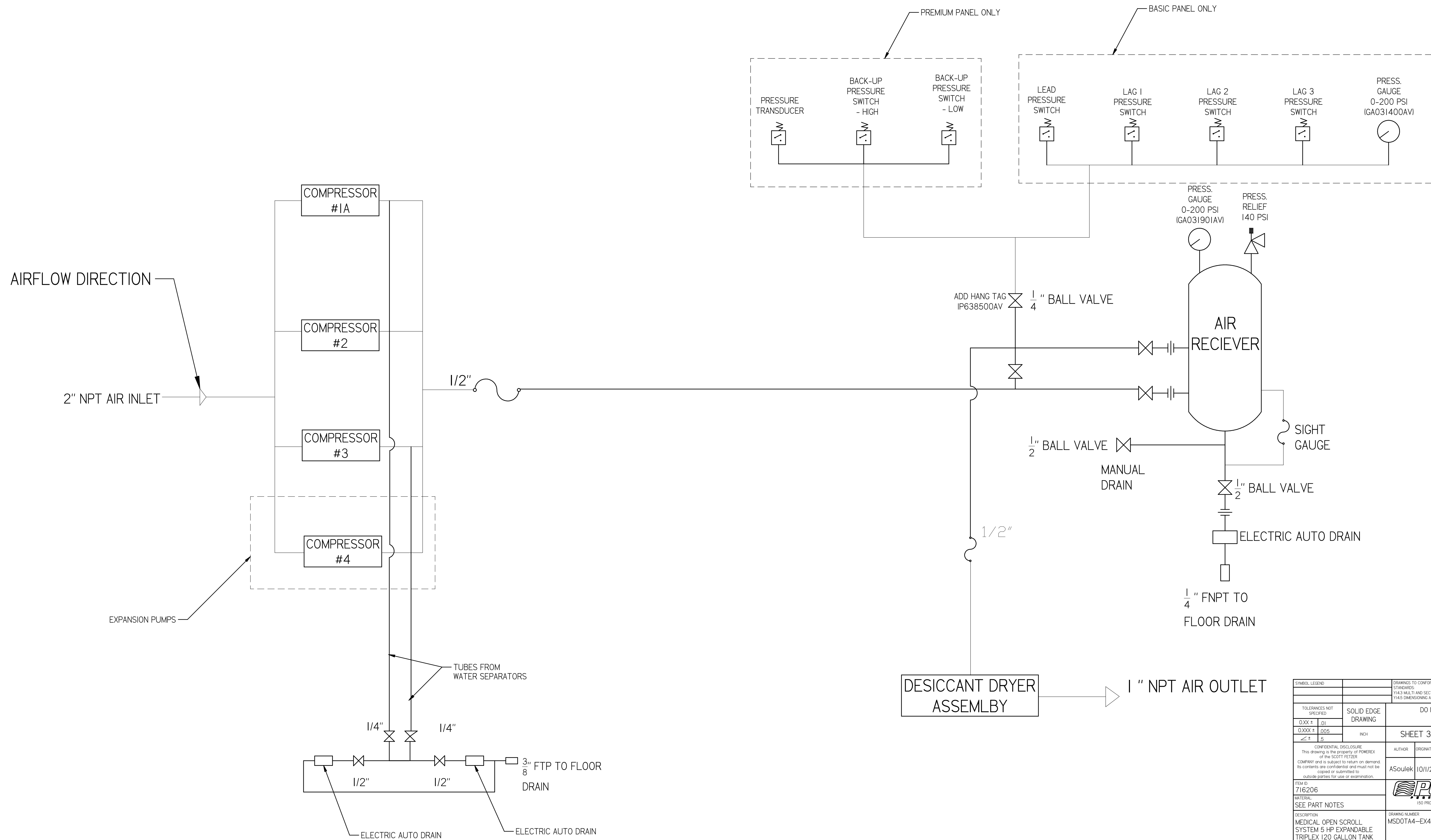
- NOTES:
1. APPROX SYSTEM WEIGHT: 1936 LB
2. 24" MINIMUM MAINTENANCE CLEARANCE RECOMMENDED ALL SIDES. CLEARANCE FOR CONTROL PANEL SHALL BE IN ACCORDANCE WITH OSHA/NEC REQUIREMENTS

SYMBOL LEGEND		DRAWINGS TO CONFORM TO CURRENT REVISION OF THE FOLLOWING ANSI STANDARDS:		
TOLERANCES NOT SPECIFIED	SOLID EDGE DRAWING	1:4:3 MULTI AND SECTIONAL VIEW DIMS	1:4:3 DIMENSIONING AND TOLERANCING	DO NOT SCALE DRAWING FOR DIMENSIONS
0.XXX ± .01	IND	SHEET 2 OF 5	SCALE	1:10
0.XXX ± .005				
<small>CONFIDENTIAL DISCLOSURE</small> This drawing is the property of POWEREX of the SCOTT FETTER COMPANY and is subject to return on demand. Its contents are confidential and must not be copied or submitted to outside parties for use or examination.		AUTHOR	ORIGINATION DATE	APPROVALS ON FILE IN PLM
TITLE: 716206		ASoulek	10/11/2018	
MATERIAL: SEE PART NOTES				
DESCRIPTION: MEDICAL OPEN SCROLL SYSTEM 5 HP EXPANDABLE TRIPLEX 120 GALLON TANK		DRAWING NUMBER: MSDOTA4-EX4	REVISION: A	SIZE: D

MSDOTA4-EX4

MEDICAL OPEN SCROLL
SYSTEM 5 HP EXPANDABLE
TRIPLEX 120 GALLON TANK
SYSTEM
FLOW DIAGRAM

REVISION NOTES		
DESCRIPTION	ECN	PR/NOR
PRODUCTION RELEASE	PXECO169	N/A

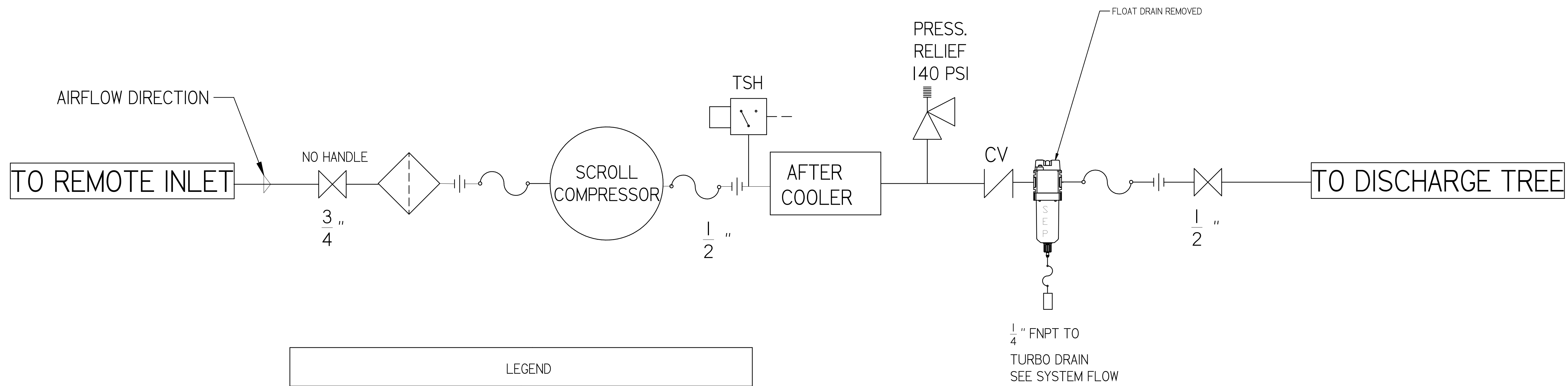


SYMBOL LEGEND		DRAWINGS TO CONFORM TO CURRENT REVISION OF THE FOLLOWING ANSI STANDARDS:	
TOLERANCES NOT SPECIFIED	SOLID EDGE DRAWING	Y14.3 MULTI-VIEW AND SECTIONAL VIEW DIMS	Y14.5 DIMENSIONING AND TOLERANCING
0.001 ± .01	INCH	DO NOT SCALE DRAWING FOR DIMENSIONS	
0.0005 ± .005		SHEET 3 OF 5	SCALE 1:1
<small>CONFIDENTIAL DISCLOSURE</small> <small>This drawing is the property of POWEREX of the SCOTT FETTER COMPANY and is subject to return on demand. Its contents are confidential and must not be copied or submitted to outside parties for use or examination.</small>		AUTHOR	ORIGINATION DATE
<small>CONFIDENTIAL DISCLOSURE</small> <small>This drawing is the property of POWEREX of the SCOTT FETTER COMPANY and is subject to return on demand. Its contents are confidential and must not be copied or submitted to outside parties for use or examination.</small>		ASoulek	10/11/2018
<small>APPROVALS ON FILE IN PLM</small>			
<small>150 PRODUCTION DRIVE, HARRISON OH 45030</small> <small>888-768-7079</small>		<small>150 PRODUCTION DRIVE, HARRISON OH 45030</small> <small>888-768-7079</small>	
<small>DESCRIPTION</small> MEDICAL OPEN SCROLL SYSTEM 5 HP EXPANDABLE TRIPLEX 120 GALLON TANK		<small>DRAWING NUMBER</small> MSDOTA4-EX4	
<small>REVISION</small> A		<small>SIZE</small> D	

REVISION NOTES		
DESCRIPTION	ECN	PR/NOR
PRODUCTION RELEASE	PXECO169	N/A

MSDOTA4-EX4

MEDICAL OPEN SCROLL
SYSTEM 5 HP EXPANDABLE
TRIPLEX 120 GALLON TANK
MEDICAL COMPRESSOR
FLOW DIAGRAM



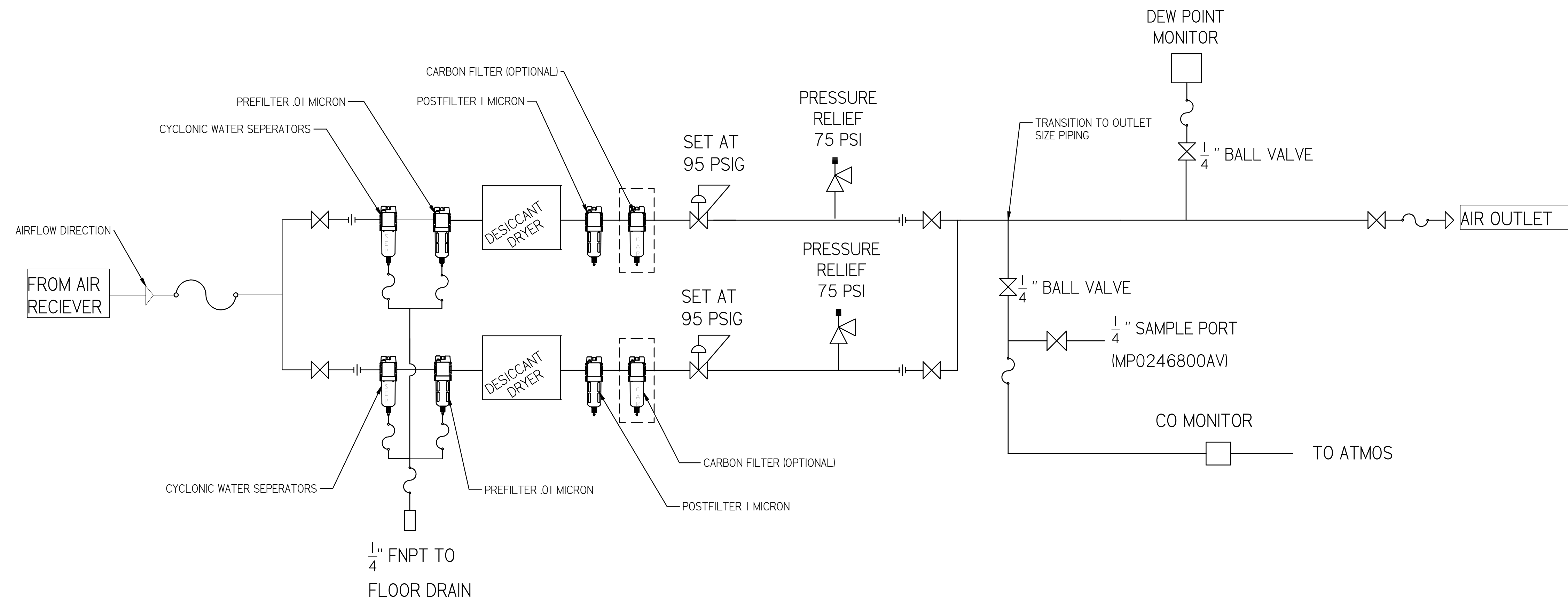
LEGEND	
	RELIEF VALVE
	INTAKE FILTER
	AIR FILTER
	3 WAY VALVE
	CARBON FILTER
	BALL VALVE
	PRESSURE SWITCH
	REGULATOR
	SEPARATOR
	CHECK VALVE
	FLEX LINE
	TSH HIGH TEMP SWITCH

SYMBOL LEGEND		DRAWINGS TO CONFORM TO CURRENT REVISION OF THE FOLLOWING ANSI STANDARDS:	
		Y14.3 MULTI AND SECTIONAL VIEW DIMS	
		Y14.5 DIMENSIONING AND TOLERANCING	
TOLERANCES NOT SPECIFIED	SOLID EDGE DRAWING	DO NOT SCALE DRAWING FOR DIMENSIONS	
0.001 ± .01		SHEET 4 OF 5	SCALE I:1
0.0005 ± .0005	INCH		
<small>CONFIDENTIAL DISCLOSURE</small> This drawing is the property of POWEREX of the SCOTT FETTER COMPANY and is subject to return on demand. Its contents are confidential and must not be copied or submitted to outside parties for use or examination.		AUTHOR	APPROVALS ON FILE IN PLM
TITLE: 716206 MATERIAL: SEE PART NOTES		ASoulek	10/11/2018
DESCRIPTION: MEDICAL OPEN SCROLL SYSTEM 5 HP EXPANDABLE TRIPLEX 120 GALLON TANK		 150 PRODUCTION DRIVE, HARRISON OH 45030 (888) 768-7079	
DRAWING NUMBER: MSDOTA4-EX4		REVISION: A	SIZE: D

REVISION NOTES		
DESCRIPTION	ECN	PR/NOR
PRODUCTION RELEASE	PXECO169	N/A

MSDOTA4-EX4

MEDICAL OPEN SCROLL
SYSTEM 5 HP EXPANDABLE
TRIPLEX 120 GALLON TANK
MEDICAL DRYER
FLOW DIAGRAM



PUMP COUNT	DRYER PLUMBING SIZE	OUTLET PIPE SIZE
2	1/2"	1/2"
3	1/2"	1"
4	1/2"	1"
6	1"	1-1/2"
8	1"	1-1/2"
9	1"	1-1/2"
12	1-1/2"	2"
15	1-1/2"	2"
18	1-1/2"	2"

SYMBOL LEGEND		DRAWINGS TO CONFORM TO CURRENT REVISION OF THE FOLLOWING ANSI STANDARDS: Y14.3 MULTI AND SECTIONAL VIEW DIMS Y14.5 DIMENSIONING AND TOLERANCING	
TOLERANCES NOT SPECIFIED	SOLID EDGE DRAWING	DO NOT SCALE DRAWING FOR DIMENSIONS	
0.XXX ± .01	INCH	SHEET 5 OF 5	SCALE 1:1
0.XXX ± .005			
± .5			
<small>CONFIDENTIAL DISCLOSURE</small> This drawing is the property of POWEREX or the SCOTT FETTER COMPANY and is subject to return on demand. Its contents are confidential and must not be copied or submitted to outside parties for use or examination.		AUTHOR	ORIGINATION DATE
<small>CONFIDENTIAL DISCLOSURE</small> This drawing is the property of POWEREX or the SCOTT FETTER COMPANY and is subject to return on demand. Its contents are confidential and must not be copied or submitted to outside parties for use or examination.		ASoulek	10/11/2018
<small>CONFIDENTIAL DISCLOSURE</small> This drawing is the property of POWEREX or the SCOTT FETTER COMPANY and is subject to return on demand. Its contents are confidential and must not be copied or submitted to outside parties for use or examination.			
<small>CONFIDENTIAL DISCLOSURE</small> This drawing is the property of POWEREX or the SCOTT FETTER COMPANY and is subject to return on demand. Its contents are confidential and must not be copied or submitted to outside parties for use or examination.		150 PRODUCTION DRIVE, HARRISON OH 45030 (888) 768-7079	
DESCRIPTION	DRAWING NUMBER	REVISION	SIZE
MEDICAL OPEN SCROLL SYSTEM 5 HP EXPANDABLE TRIPLEX 120 GALLON TANK	MSDOTA4-EX4	A	D