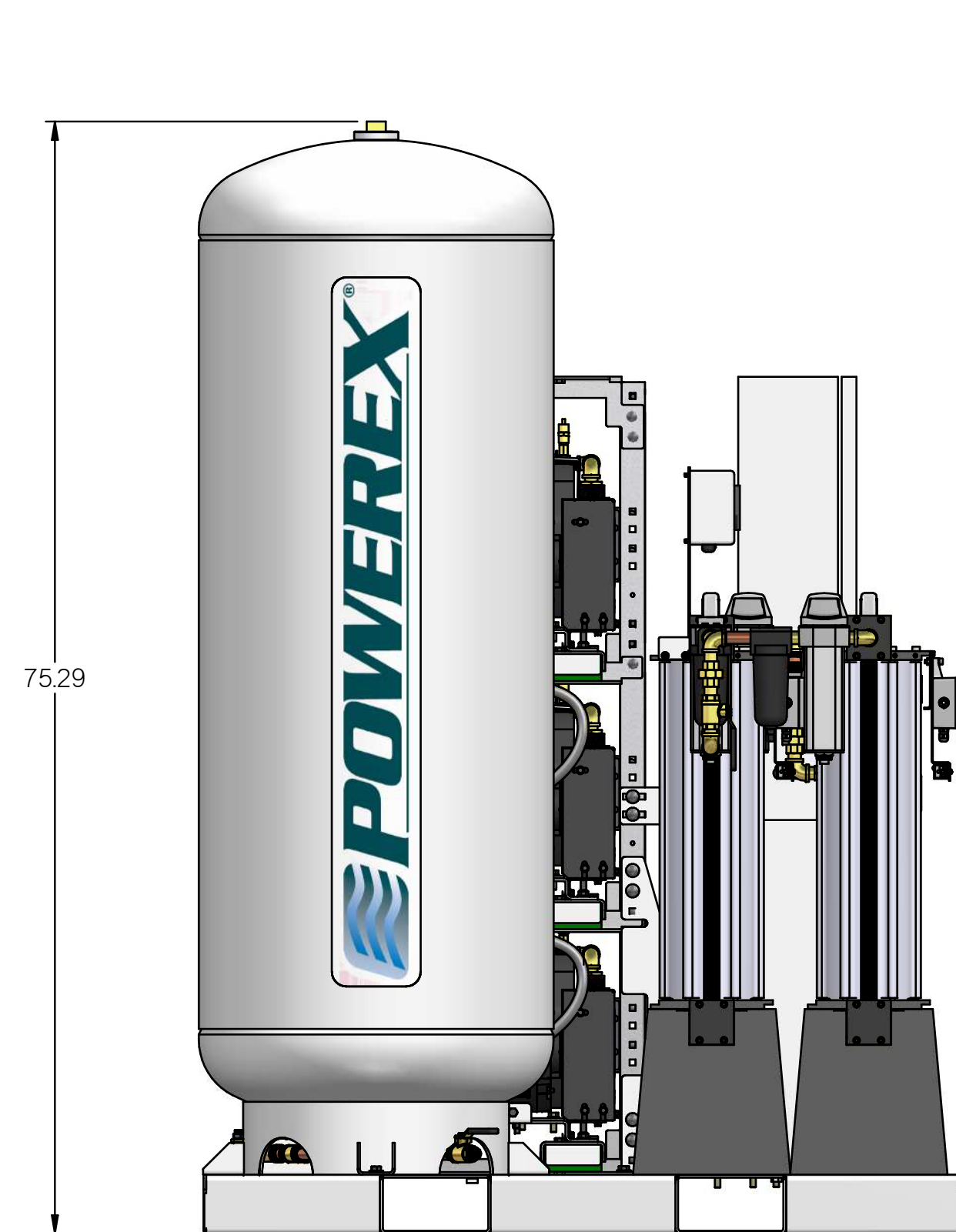
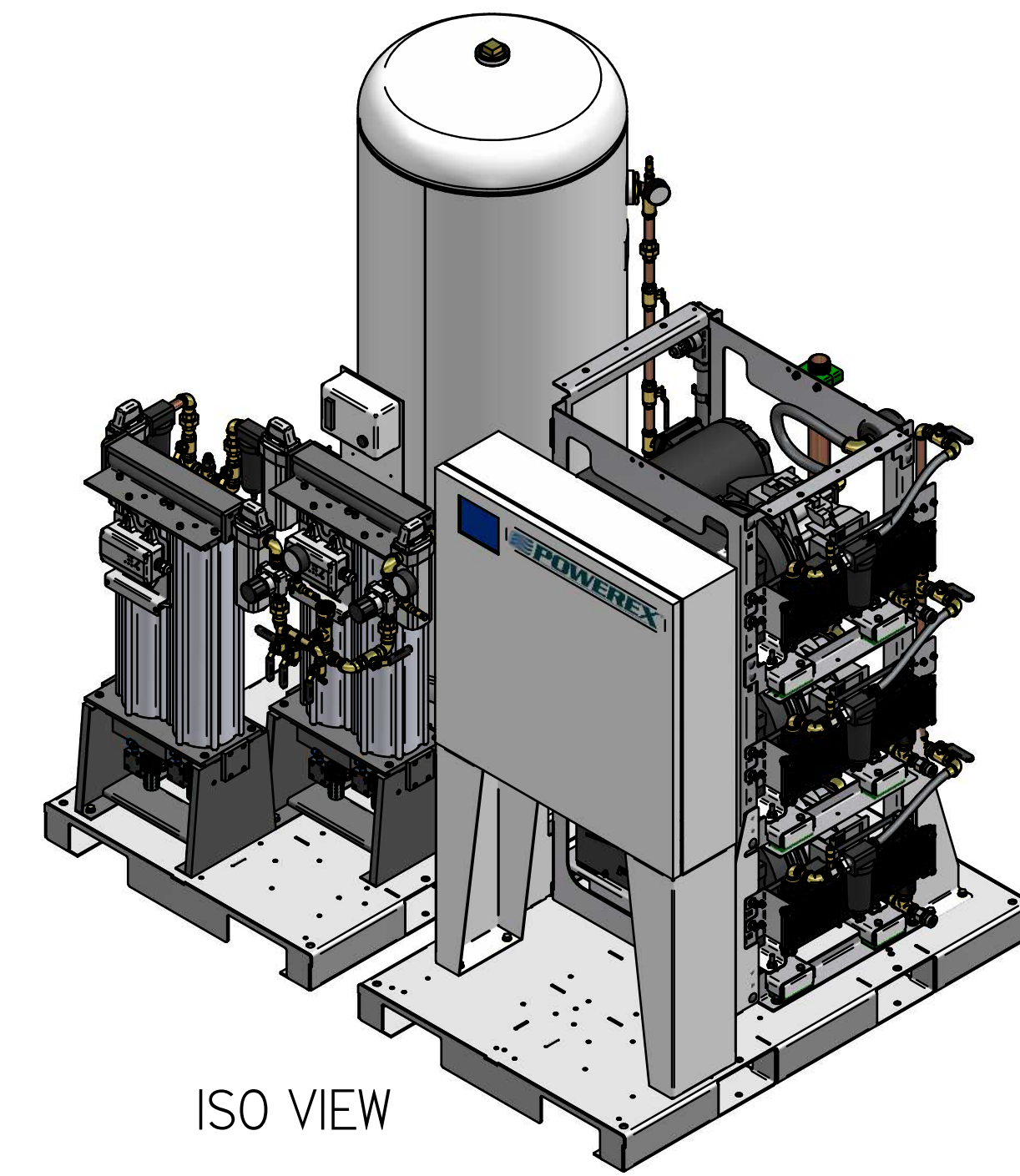
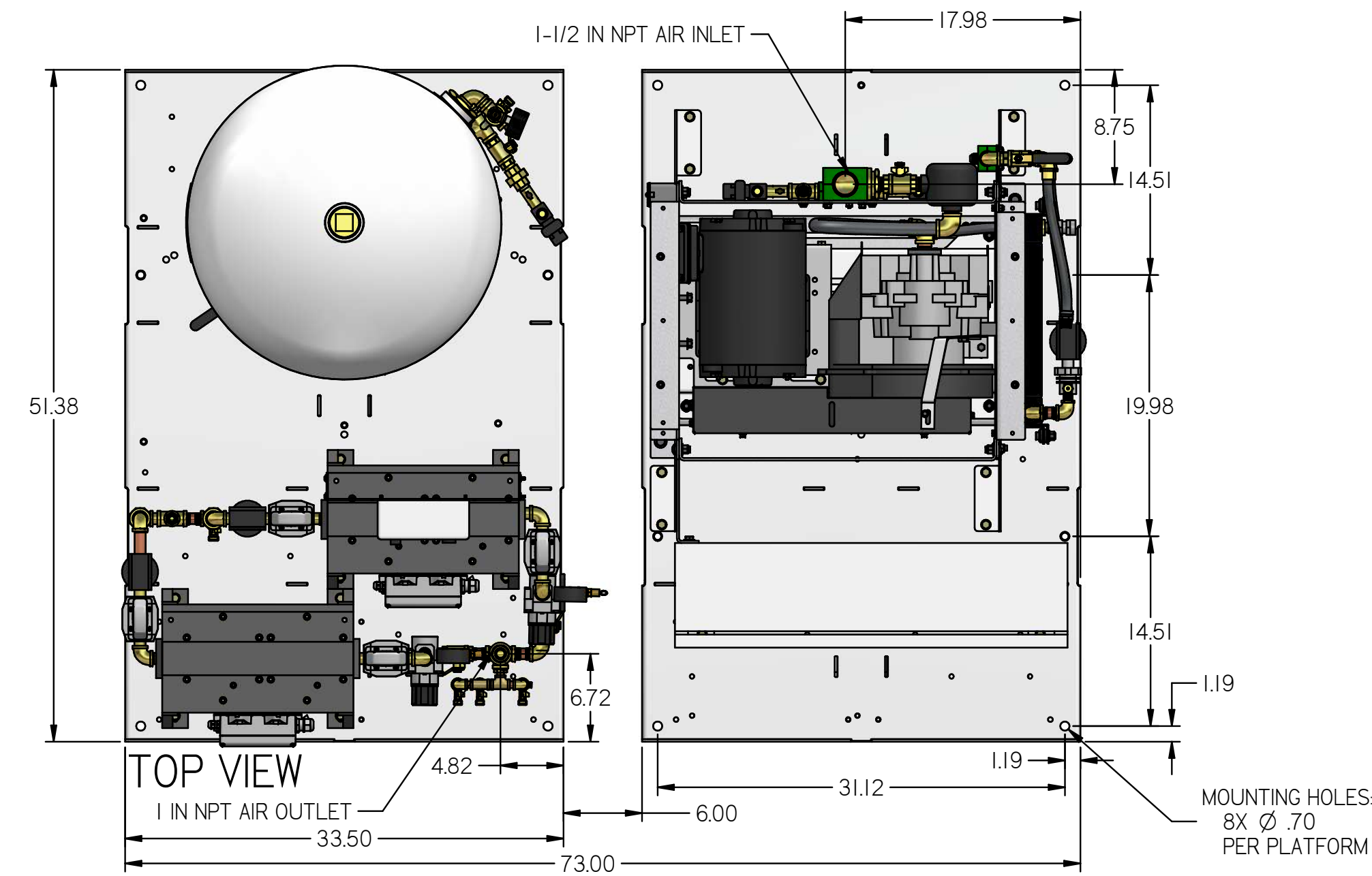


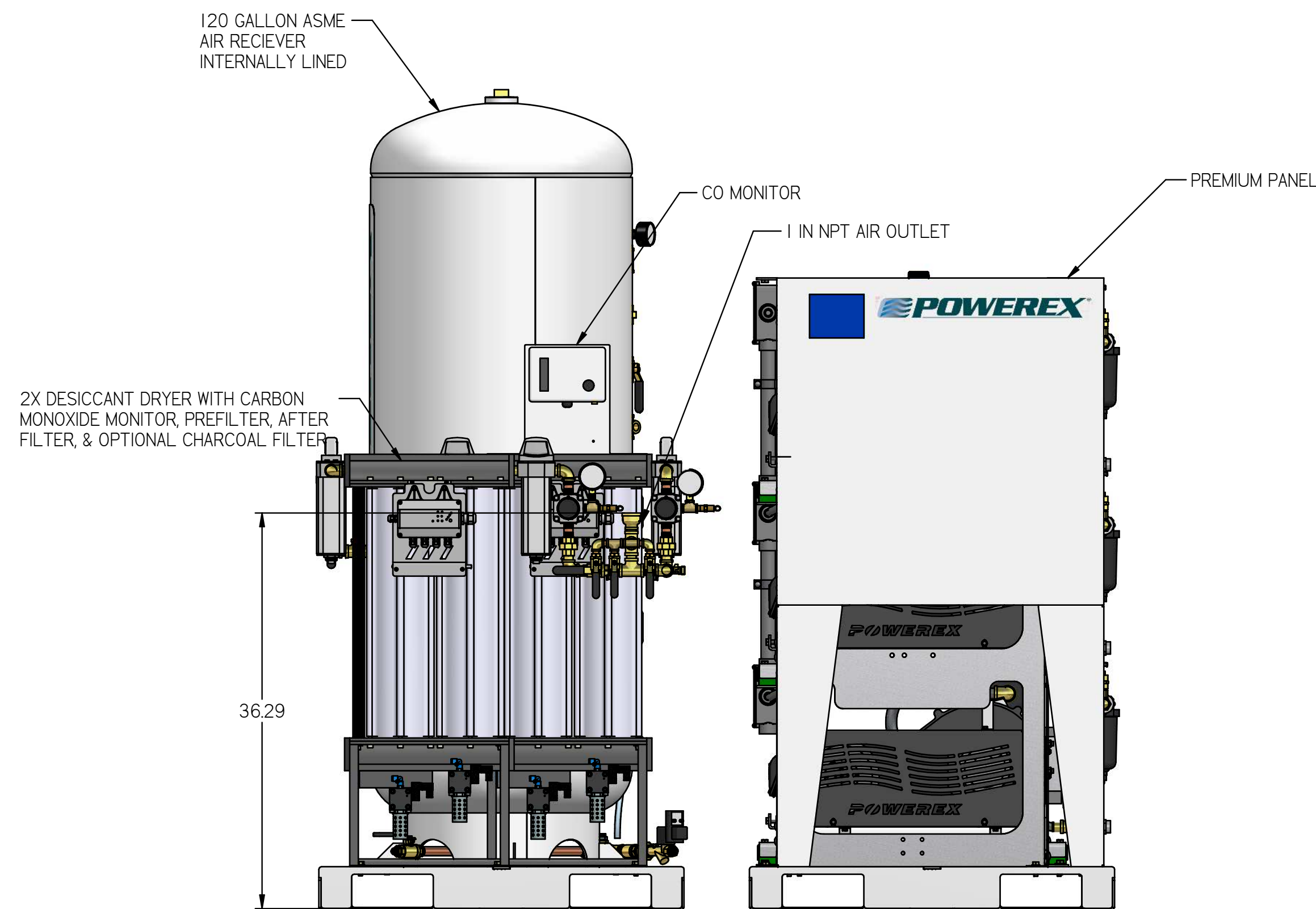
REVISION NOTES		
DESCRIPTION	ECN	PR/NOR
PRODUCTION RELEASE	PXEC0169	N/A

MST05A4

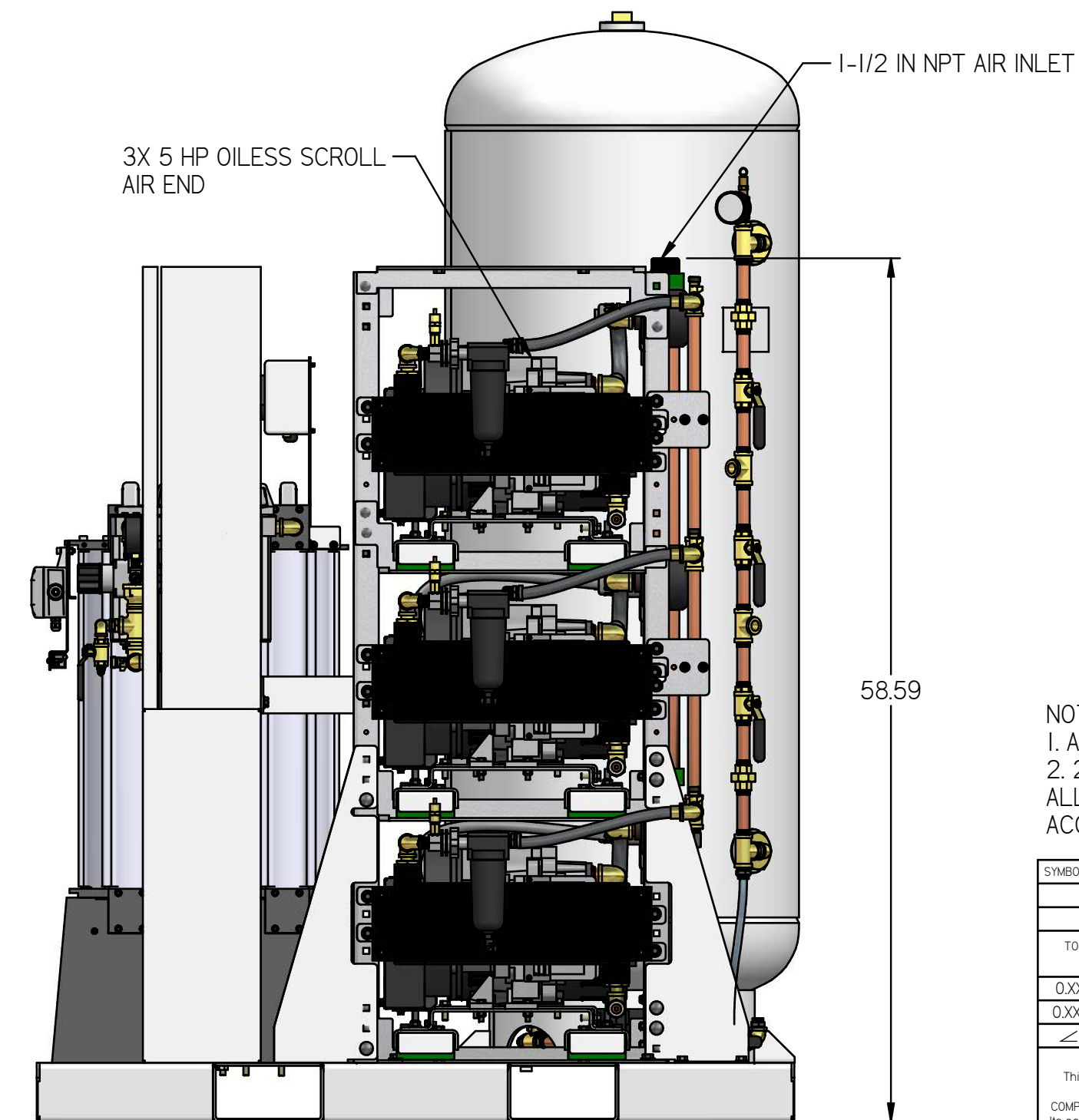
MEDICAL OPEN SCROLL
SYSTEM 5 HP TRIPLEX WITH
120 GALLON TANK
PREMIUM PANEL



LEFT VIEW



FRONT VIEW



RIGHT VIEW

- NOTES:
1. APPROX SYSTEM WEIGHT: 1836 LB
2. 24" MINIMUM MAINTENANCE CLEARANCE RECOMMENDED
ALL SIDES. CLEARANCE FOR CONTROL PANEL SHALL BE IN
ACCORDANCE WITH OSHA/NEC REQUIREMENTS

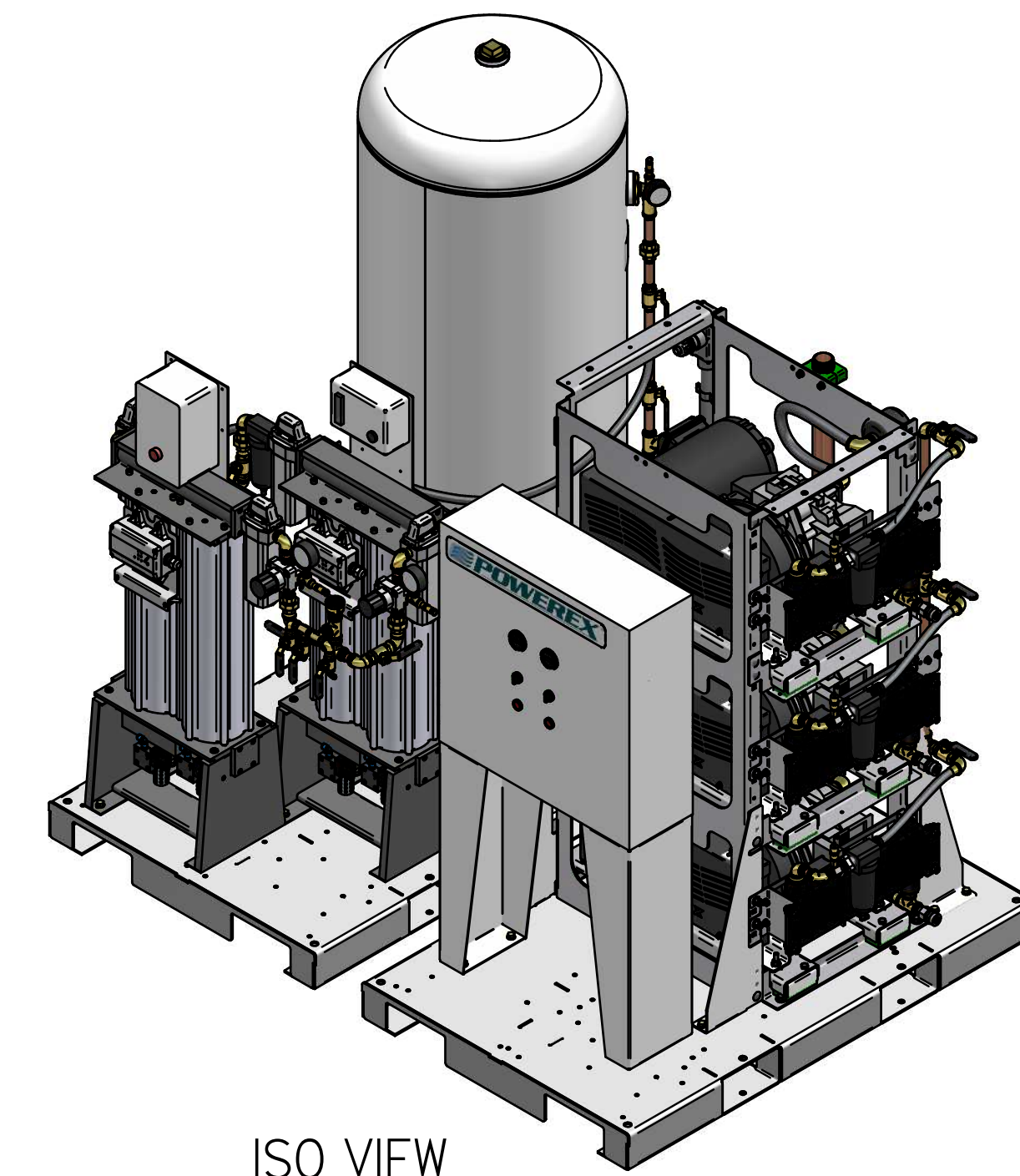
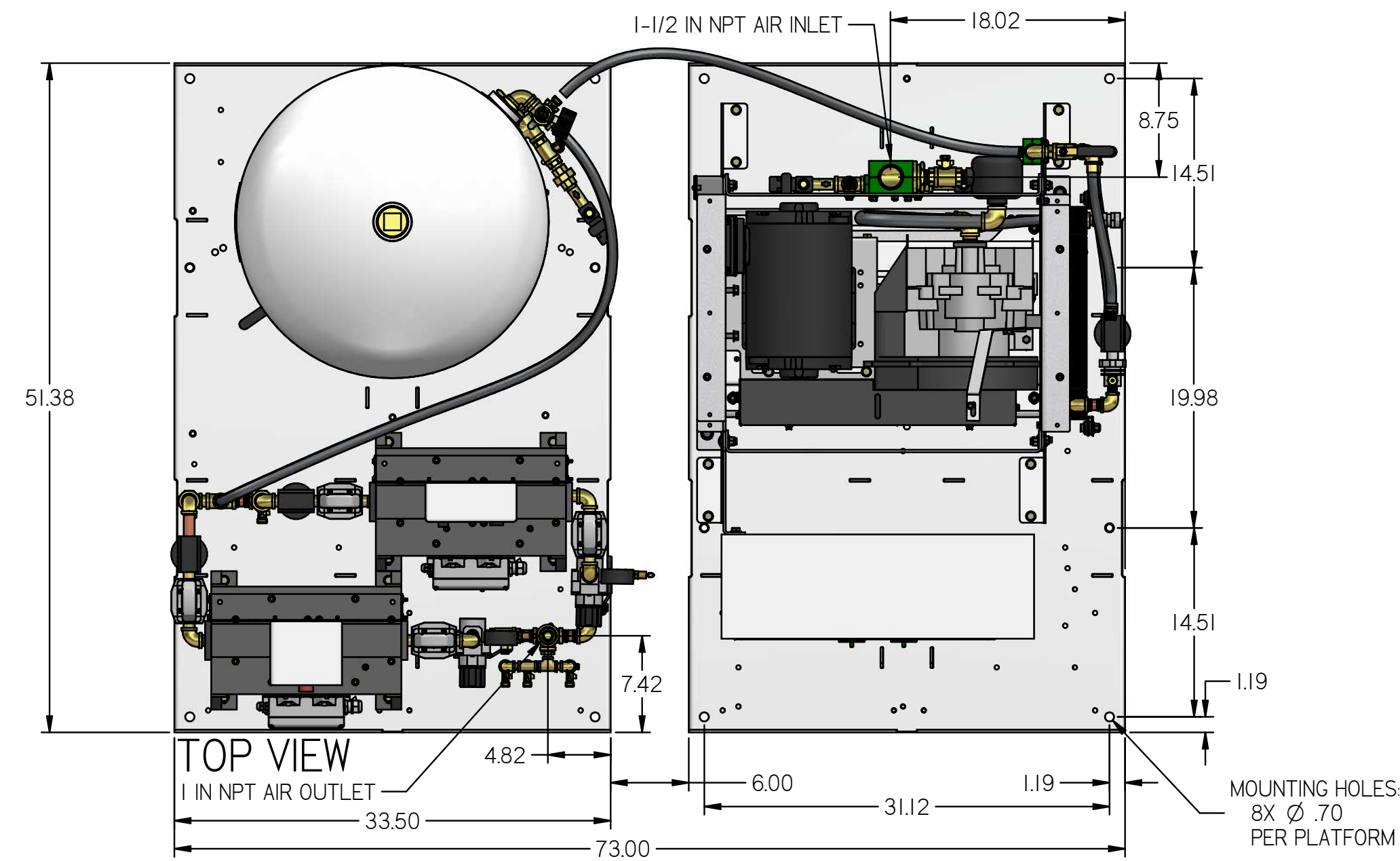
SYMBOL LEGEND		DRAWINGS TO CONFORM TO CURRENT REVISION OF THE FOLLOWING ANSI STANDARDS:	
TOLERANCES NOT SPECIFIED	SOLID EDGE DRAWING	DO NOT SCALE DRAWING FOR DIMENSIONS	
0.XXX ± .01	INCH	SHEET 1 OF 5	SCALE 1:10
0.XXX ± .005			
CONFIDENTIAL DISCLOSURE This drawing is the property of POWEREX of the SCOTT FETTER COMPANY and is subject to return on demand. Its contents are confidential and must not be copied or submitted to outside parties for use or examination.		AUTHOR	APPROVALS ON FILE IN PLM
PART NUMBER 716307		ASoulek	10/11/2018
MATERIAL SEE PART NOTES			
DESCRIPTION MEDICAL OPEN SCROLL SYSTEM 5 HP TRIPLEX WITH 120 GALLON TANK		DRAWING NUMBER MST05A4	REVISION A
			D

REVISION NOTES		
DESCRIPTION	ECN	PR/NOR
PRODUCTION RELEASE	PXECO169	N/A

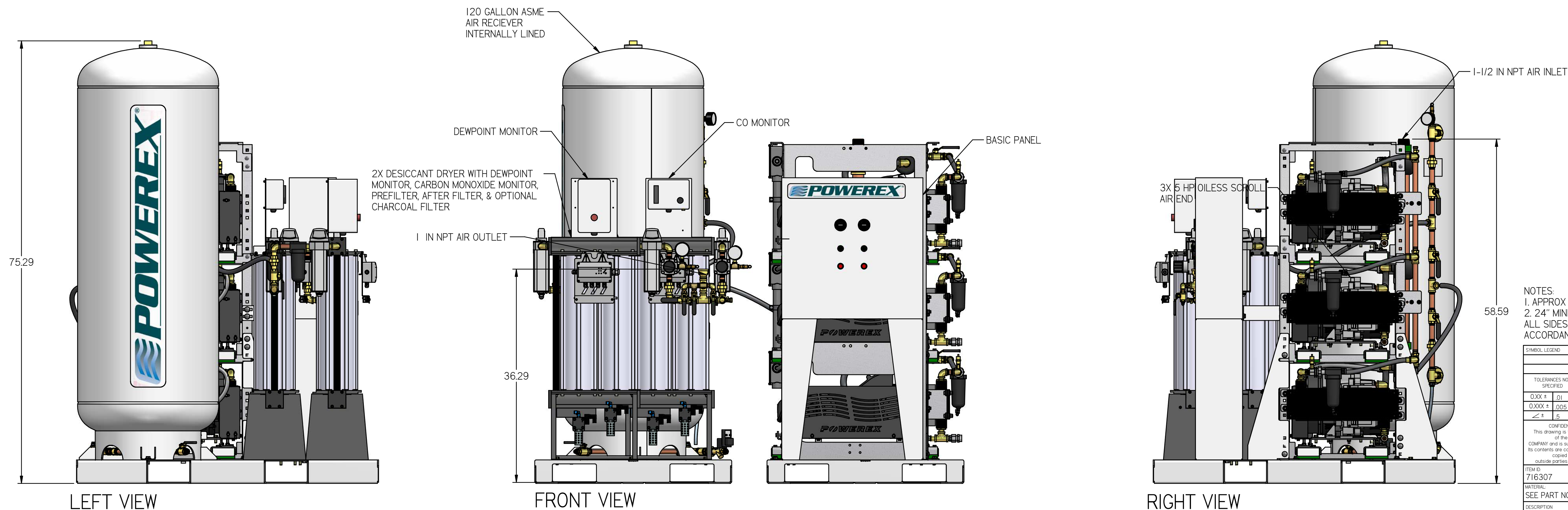
MST05A4

MEDICAL OPEN SCROLL
SYSTEM 5 HP TRIPLEX WITH
120 GALLON TANK

BASIC PANEL



ISO VIEW



LEFT VIEW

FRONT VIEW

RIGHT VIEW

NOTES:
1. APPROX SYSTEM WEIGHT: 1836 LB
2. 24" MINIMUM MAINTENANCE CLEARANCE RECOMMENDED ALL SIDES. CLEARANCE FOR CONTROL PANEL SHALL BE IN ACCORDANCE WITH OSHA/NEC REQUIREMENTS

SYMBOL LEGEND		DRAWINGS TO CONFORM TO CURRENT REVISION OF THE FOLLOWING ANSI STANDARDS: Y14.3 MULTI AND SECTIONAL VIEW DWGS Y14.5 DIMENSIONING AND TOLERANCING	
TOLERANCES NOT SPECIFIED	SOLID EDGE DRAWING	DO NOT SCALE DRAWING FOR DIMENSIONS	
0.XXX ± .01	INCH	SHEET 2 OF 5	SCALE 1:10
0.XXX ± .005		APPROVALS ON FILE IN PLM	
CONFIDENTIAL DISCLOSURE: This drawing is the property of POWEREX of the SCOTT FETTER COMPANY and is subject to return on demand. Its contents are confidential and must not be copied or submitted to outside parties for use or examination.		AUTHOR	ORIGINATION DATE
PART NUMBER: 716307		ASoulek	10/11/2018
MATERIAL: SEE PART NOTES			
DESCRIPTION: MEDICAL OPEN SCROLL SYSTEM 5 HP TRIPLEX WITH 120 GALLON TANK	DRAWING NUMBER: MST05A4	REVISION: A	SIZE: D

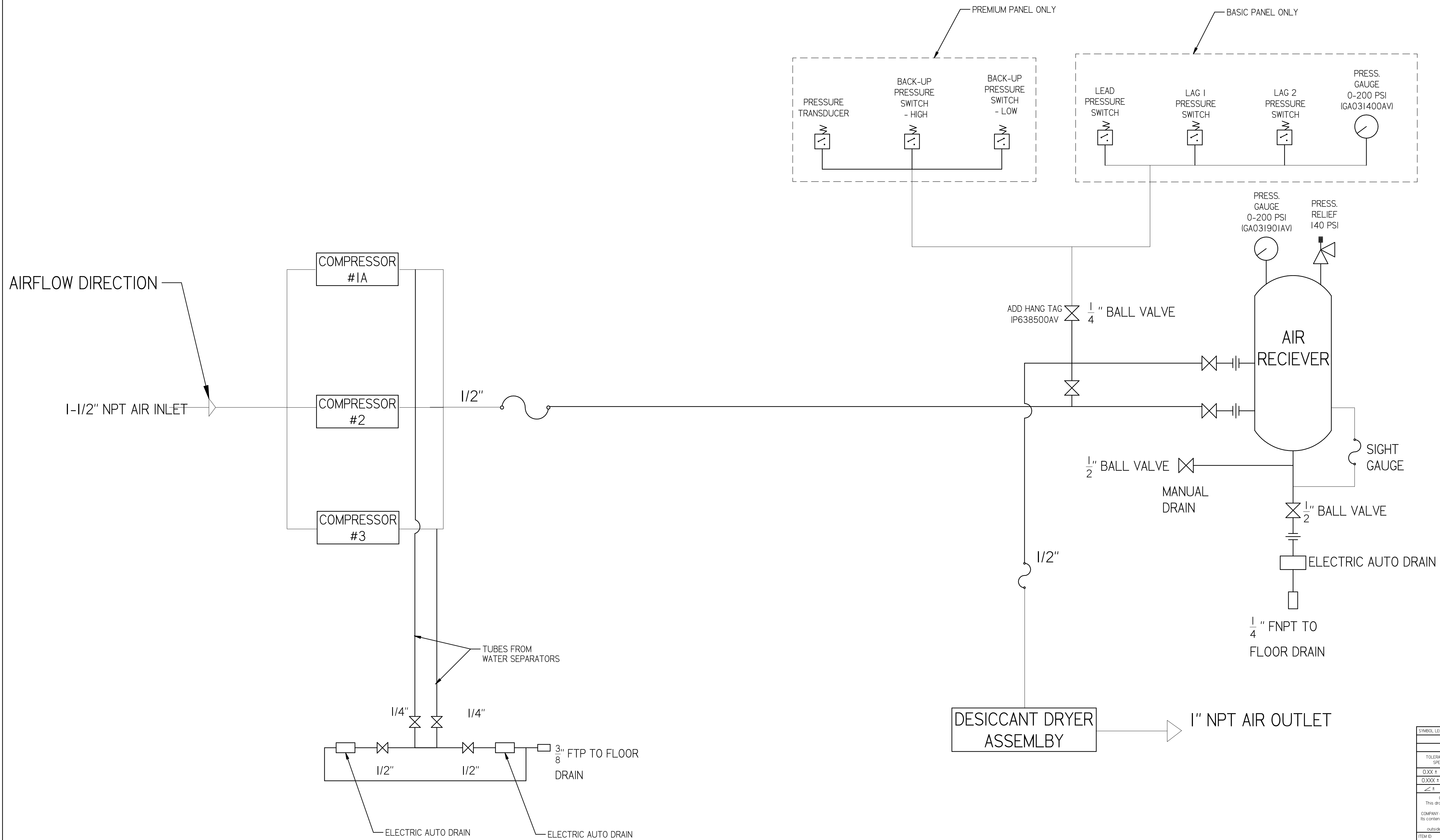


REVISION NOTES		
DESCRIPTION	ECN	PR/NOR
PRODUCTION RELEASE	PXECO169	N/A

MST05A4

MEDICAL OPEN SCROLL
SYSTEM 5 HP TRIPLEX WITH
120 GALLON TANK

SYSTEM
FLOW DIAGRAM

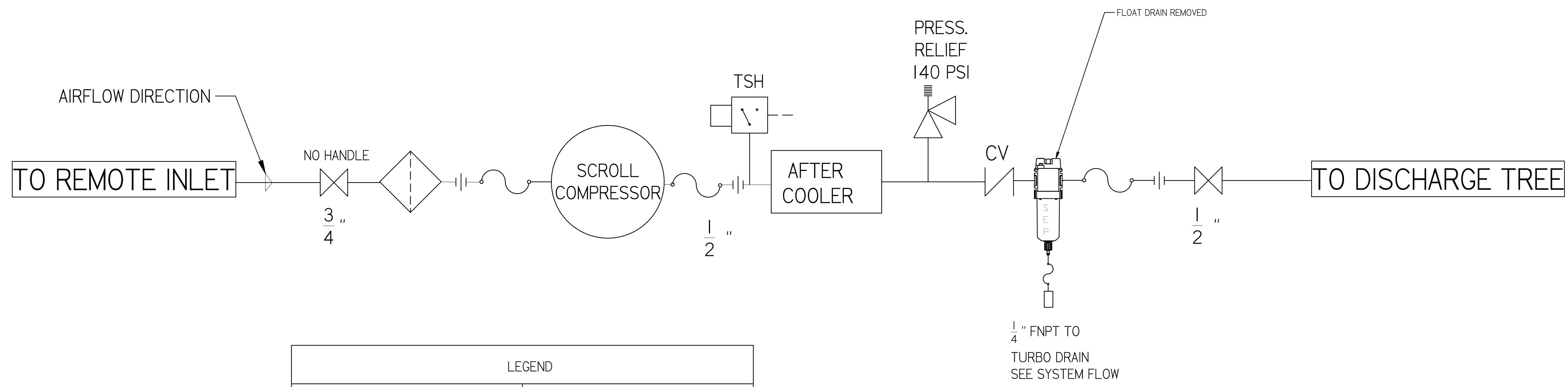


SYMBOL LEGEND		DRAWINGS TO CONFORM TO CURRENT REVISION OF THE FOLLOWING ANSI STANDARDS:	
		Y14.3 MULTI AND SECTIONAL VIEW DIMS	
		Y14.5 DIMENSIONING AND TOLERANCING	
TOLERANCES NOT SPECIFIED	SOLID EDGE DRAWING	DO NOT SCALE DRAWING FOR DIMENSIONS	
0.XXX ± .01	INCH	SHEET 3 OF 5	SCALE 1:1
0.XXX ± .005			
± .5			
<small>CONFIDENTIAL DISCLOSURE</small> This drawing is the property of POWERLEX of the SCOTT FETTER COMPANY and is subject to return on demand. Its contents are confidential and must not be copied or submitted to outside parties for use or examination.		AUTHOR	ORIGINATION DATE
<small>CONFIDENTIAL DISCLOSURE</small> This drawing is the property of POWERLEX of the SCOTT FETTER COMPANY and is subject to return on demand. Its contents are confidential and must not be copied or submitted to outside parties for use or examination.		ASoulek	10/11/2018
<small>CONFIDENTIAL DISCLOSURE</small> This drawing is the property of POWERLEX of the SCOTT FETTER COMPANY and is subject to return on demand. Its contents are confidential and must not be copied or submitted to outside parties for use or examination.			
DRAWING NUMBER: MST05A4 REVISION: A SIZE: D			

REVISION NOTES		
DESCRIPTION	ECN	PR/NOR
PRODUCTION RELEASE	PXECO169	N/A

MST05A4

MEDICAL OPEN SCROLL
SYSTEM 5 HP TRIPLEX WITH
120 GALLON TANK
MEDICAL COMPRESSOR
FLOW DIAGRAM



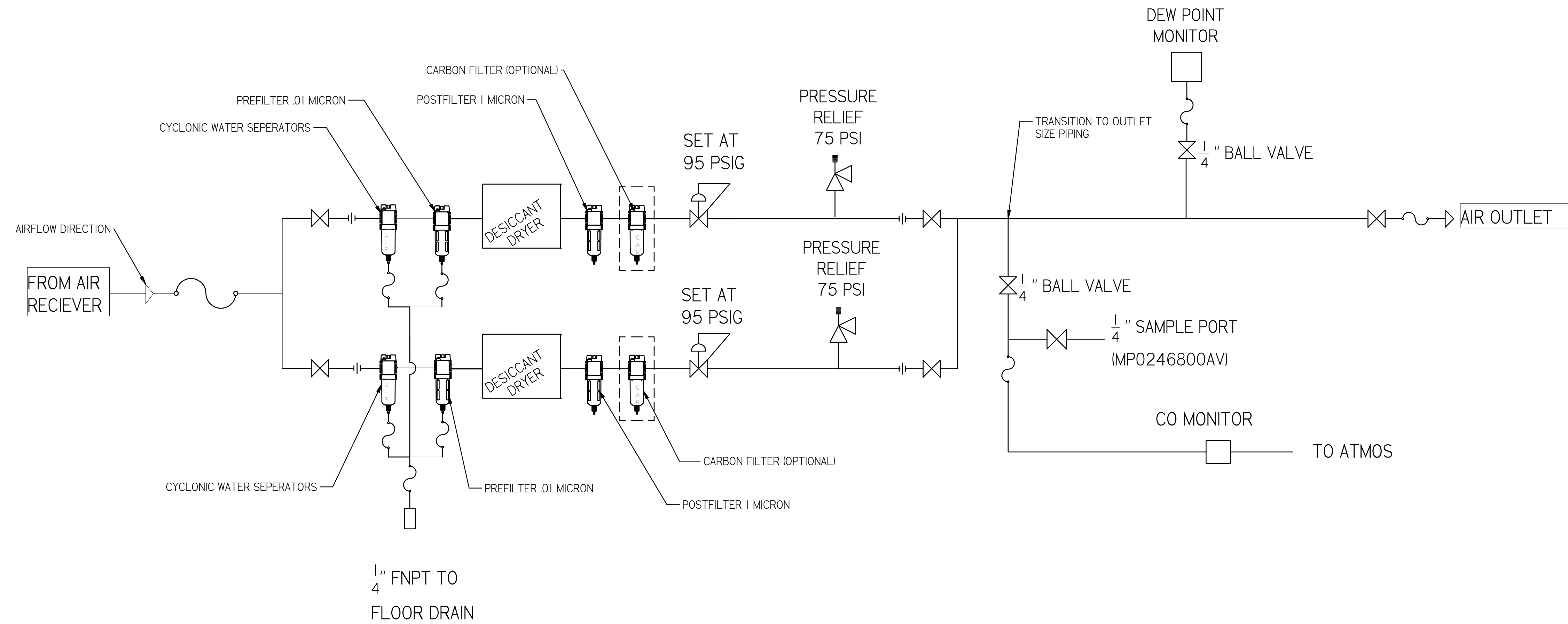
LEGEND	
	RELIEF VALVE
	INTAKE FILTER
	AIR FILTER
	3 WAY VALVE
	CARBON FILTER
	BALL VALVE
	PRESSURE SWITCH
	REGULATOR
	SEPARATOR
	CHECK VALVE
	FLEX LINE
	TSH HIGH TEMP SWITCH

SYMBOL LEGEND		DRAWINGS TO CONFORM TO CURRENT REVISION OF THE FOLLOWING ANSI STANDARDS:	
		Y14.3 MULTI AND SECTIONAL VIEW DIMS Y14.5 DIMENSIONING AND TOLERANCING	
TOLERANCES NOT SPECIFIED	SOLID EDGE DRAWING	DO NOT SCALE DRAWING FOR DIMENSIONS	
0.001 ± .001		SHEET 4 OF 5	SCALE I:1
0.002 ± .002			
0.005 ± .005			
<small>CONFIDENTIAL DISCLOSURE</small> This drawing is the property of POWEREX of the SCOTT FETTER COMPANY and is subject to return on demand. Its contents are confidential and must not be copied or submitted to outside parties for use or examination.		AUTHOR	APPROVALS ON FILE IN PLM
TITLE: 716307 MATERIAL: SEE PART NOTES		ASoulek	10/11/2018
DESCRIPTION: MEDICAL OPEN SCROLL SYSTEM 5 HP TRIPLEX WITH 120 GALLON TANK		 150 PRODUCTION DRIVE, HARRISON OH 45030 (888) 768-7079	
DRAWING NUMBER	REVISION	SIZE	
MST05A4	A	D	

REVISION NOTES		
DESCRIPTION	ECN	PR/NOR
PRODUCTION RELEASE	PXECO169	N/A

MST05A4

MEDICAL OPEN SCROLL
SYSTEM 5 HP TRIPLEX WITH
120 GALLON TANK
MEDICAL DRYER
FLOW DIAGRAM



PUMP COUNT	DRYER PLUMBING SIZE	OUTLET PIPE SIZE
2	1/2"	1/2"
3	1/2"	1"
4	1/2"	1"
6	1"	1-1/2"
8	1"	1-1/2"
9	1"	1-1/2"
12	1-1/2"	2"
15	1-1/2"	2"
18	1-1/2"	2"

SYMBOL LEGEND		DRAWINGS TO CONFORM TO CURRENT REVISION OF THE FOLLOWING ANSI STANDARDS: #14.3 MULTI AND SECTIONAL VIEW DIMS #14.5 DIMENSIONING AND TOLERANCING	
TOLERANCES NOT SPECIFIED	SOLID EDGE DRAWING	DO NOT SCALE DRAWING FOR DIMENSIONS	
0.001 ± .001		SHEET 5 OF 5	SCALE 1:1
0.005 ± .005	INCH	APPROVALS ON FILE IN PLM	
0.010 ± .010	INCH	A Soulek	10/11/2018
<small>CONFIDENTIAL DISCLOSURE</small> This drawing is the property of POWEREX or the SCOTT FETTER COMPANY and is subject to return on demand. Its contents are confidential and must not be copied or submitted to outside parties for use or examination.			
ITEM #: 716307 MATERIAL: SEE PART NOTES	DRAWING NUMBER: MST05A4	REVISION: A	SIZE: D

