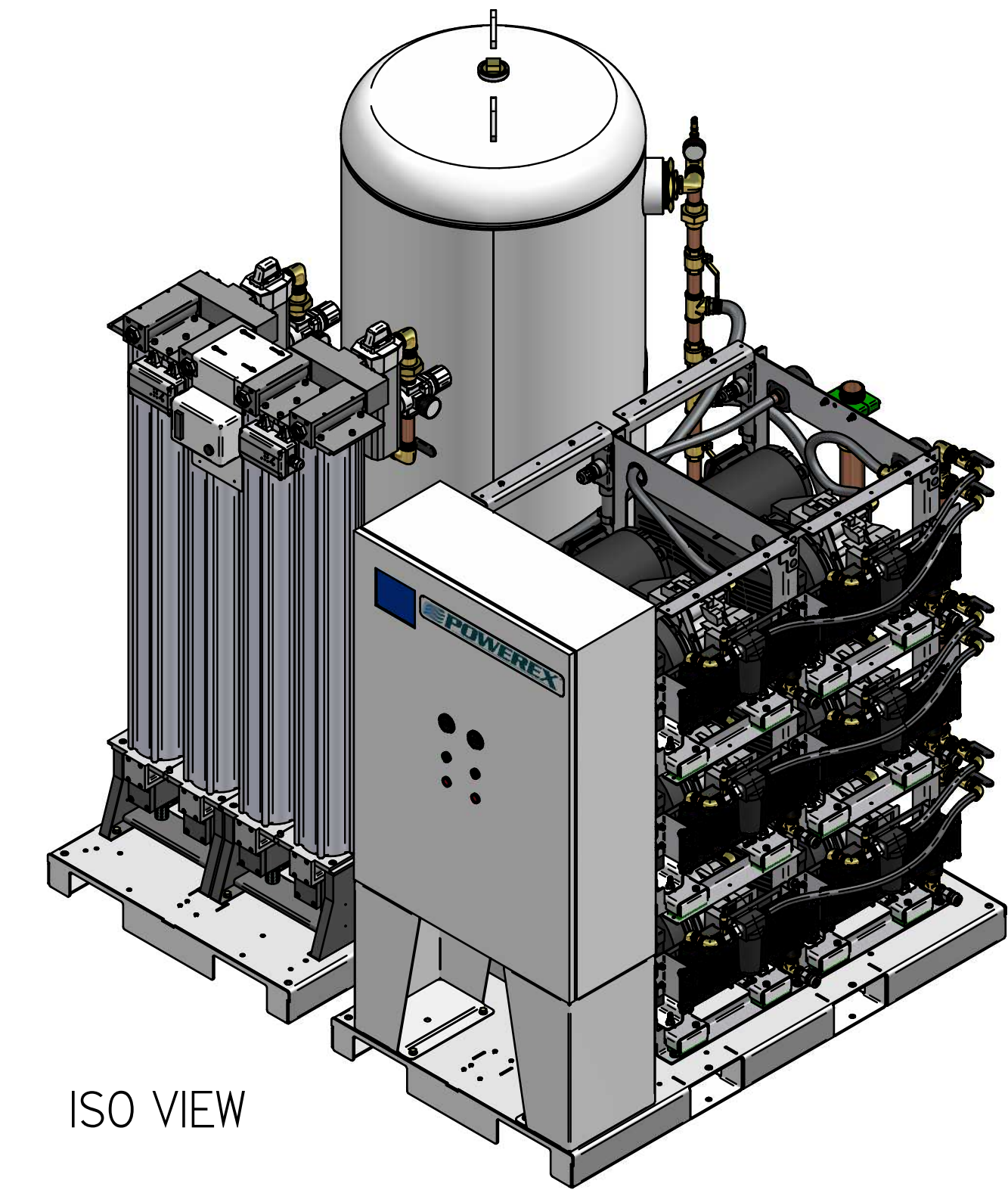
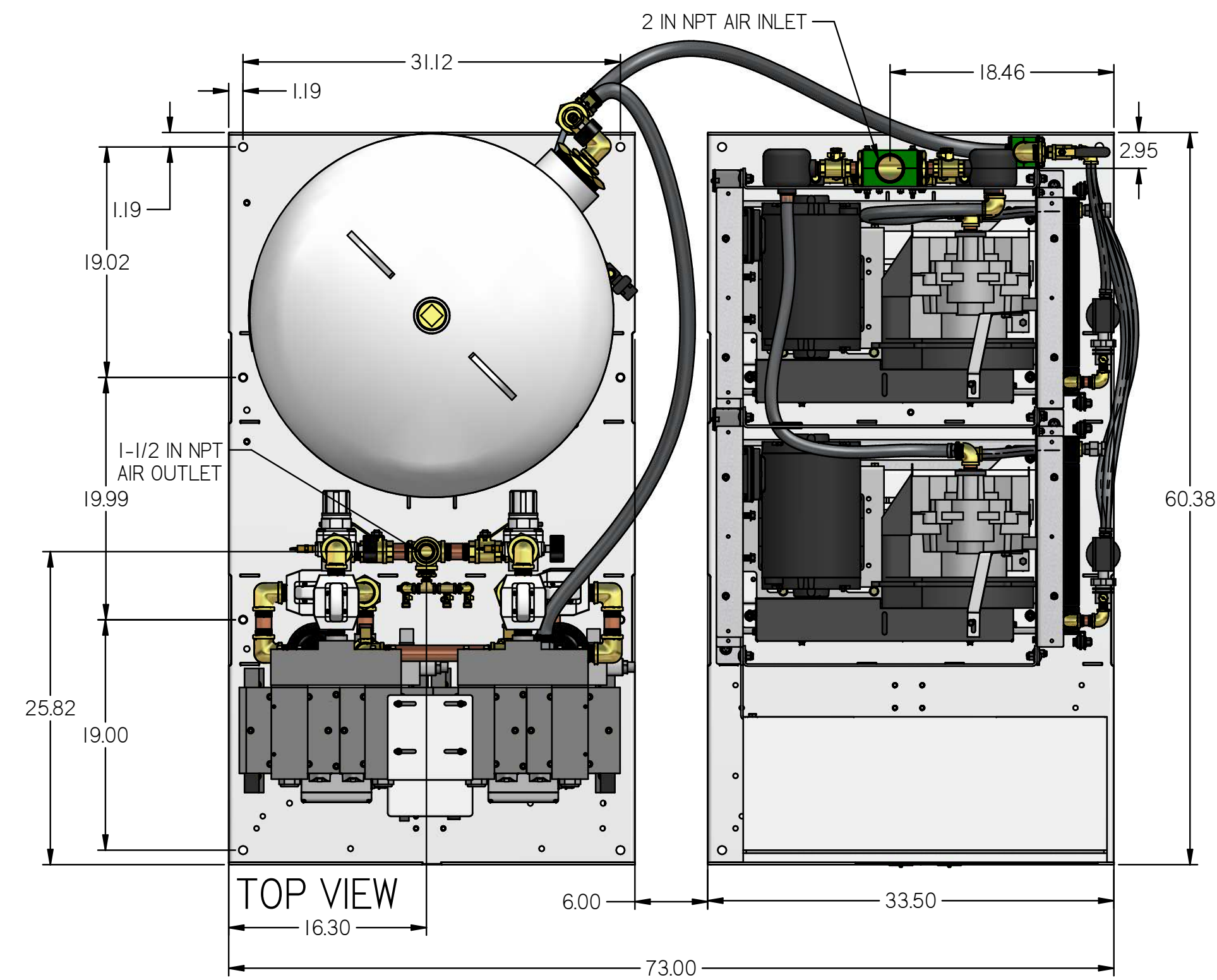


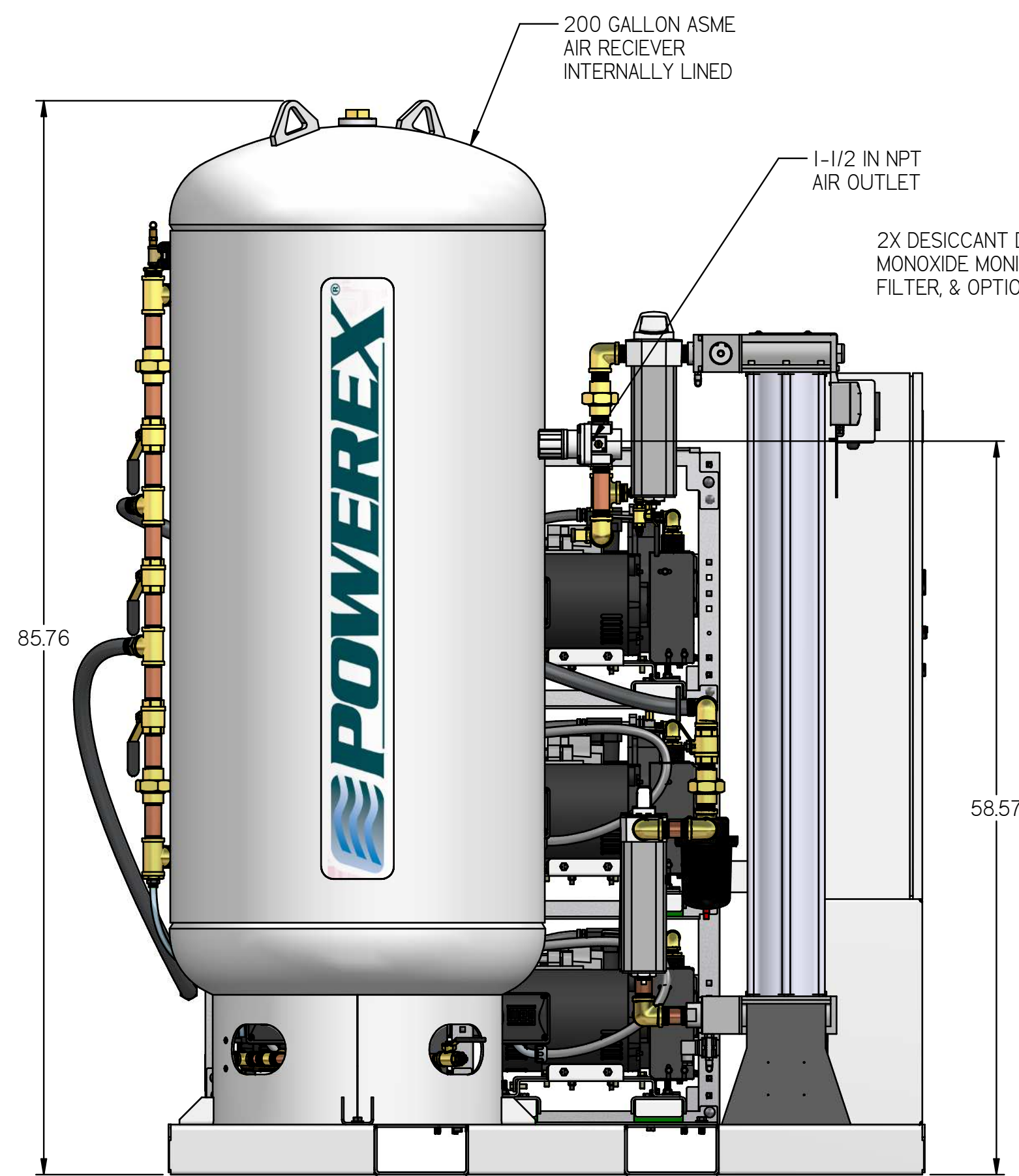
REVISION NOTES		
DESCRIPTION	ECN	PR/NOR
PRODUCTION RELEASE	PXECO169	N/A

MST10A5

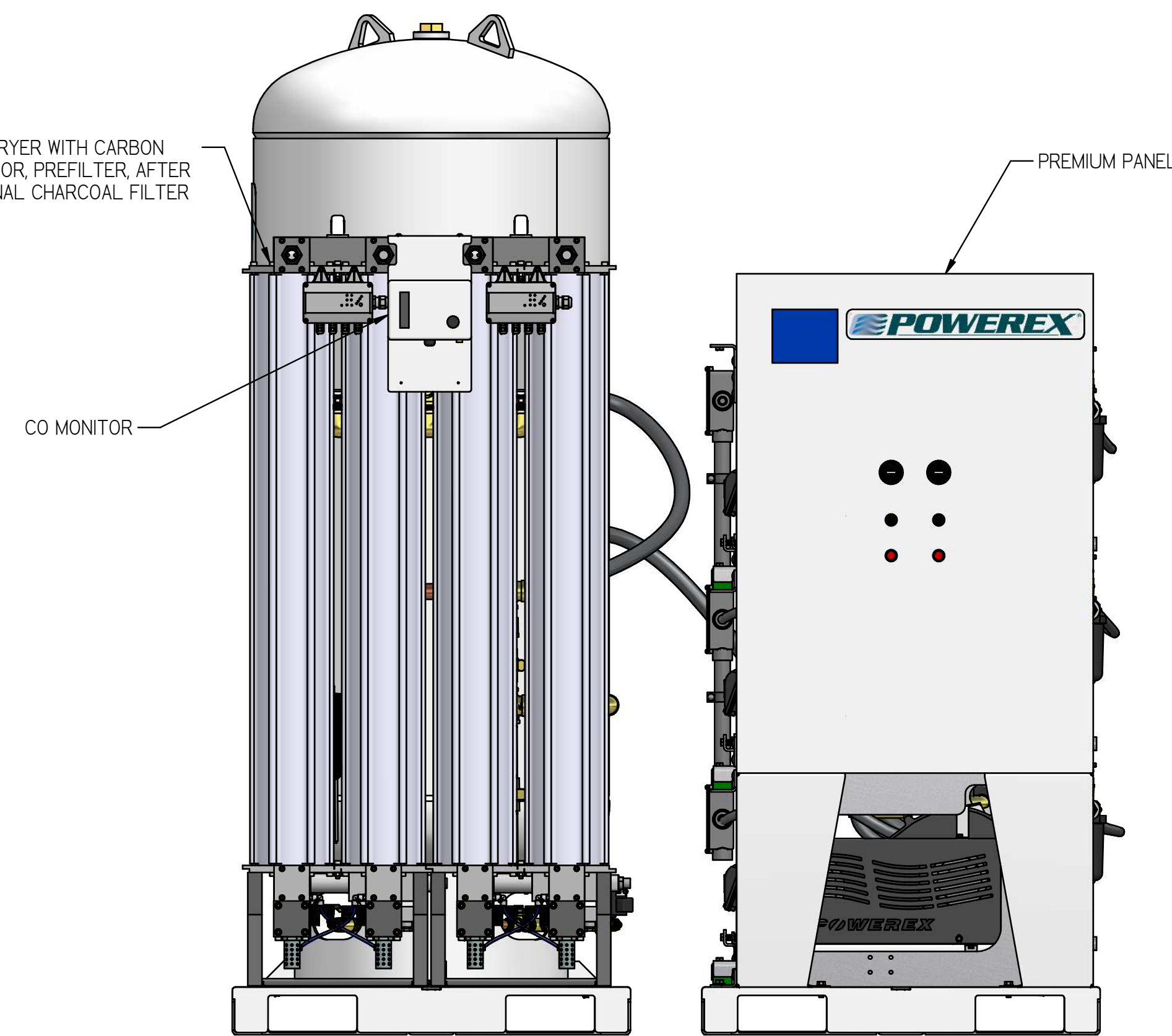
MEDICAL OPEN SCROLL 10
HP TRIPLEX WITH 200
GALLON TANK
PREMIUM PANEL



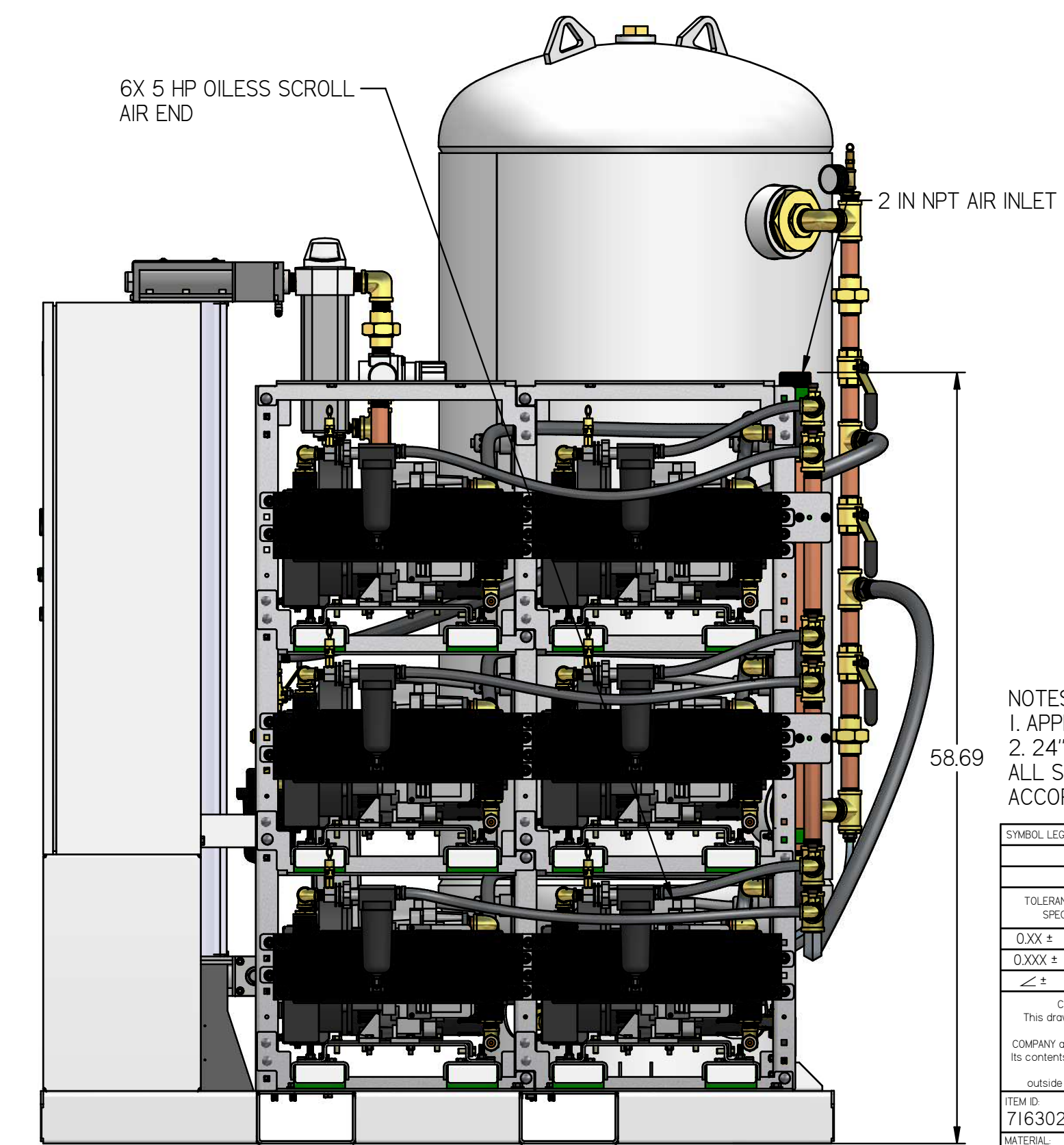
ISO VIEW



LEFT VIEW



FRONT VIEW



RIGHT VIEW

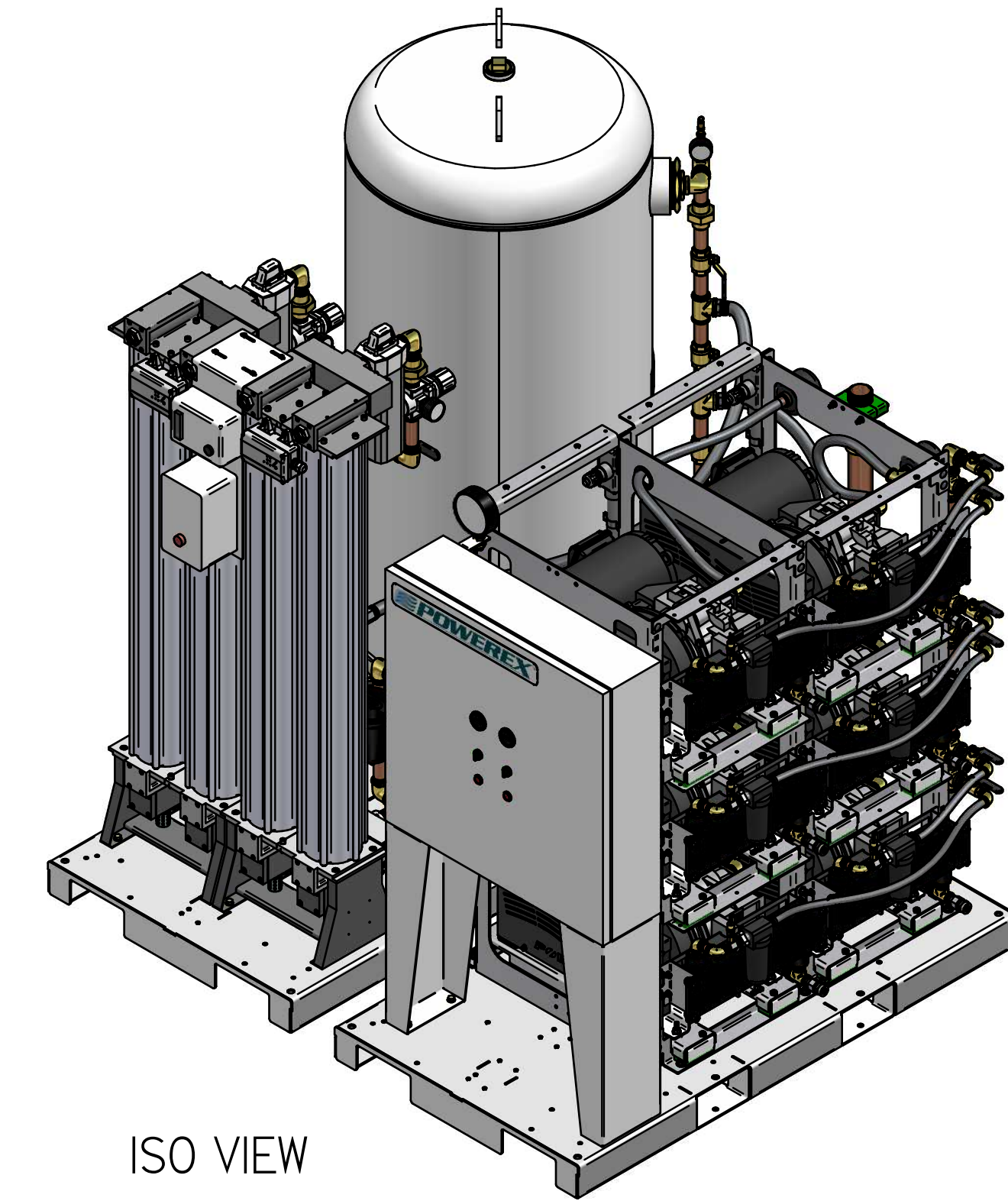
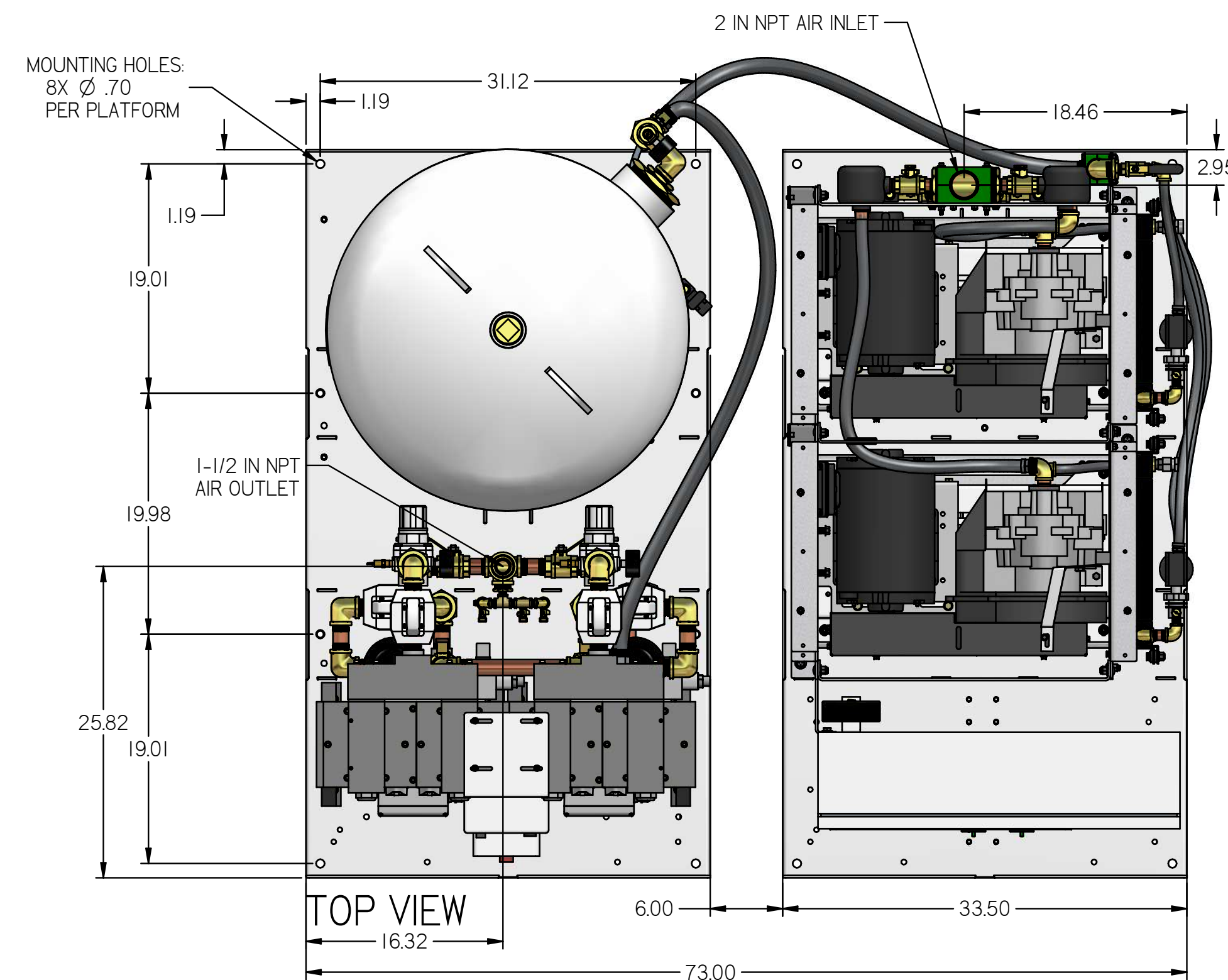
- NOTES:
1. APPROX SYSTEM WEIGHT: 3233 LB
2. 24" MINIMUM MAINTENANCE CLEARANCE RECOMMENDED ALL SIDES. CLEARANCE FOR CONTROL PANEL SHALL BE IN ACCORDANCE WITH OSHA/NEC REQUIREMENTS

SYMBOL LEGEND		DRAWINGS TO CONFORM TO CURRENT REVISION OF THE FOLLOWING ANSI STANDARDS:	
TOLERANCES NOT SPECIFIED	SOLID EDGE DRAWING	Y14.3 MULTI AND SECTIONAL VIEW DIMS	DO NOT SCALE DRAWING FOR DIMENSIONS
0.00X ± .01		Y14.5 DIMENSIONING AND TOLERANCING	SHEET 1 OF 5
0.00X ± .005		SCALE	
0.00X ± .005	INCH	APPROVALS ON FILE IN PLM	
<small>CONFIDENTIAL DISCLOSURE</small> <small>This drawing is the property of POWEREX of the SCOTT FETTER COMPANY and is subject to return on demand. Its contents are confidential and must not be copied or submitted to outside parties for use or examination.</small>		AUTHOR	ORIGINATION DATE
<small>CONFIDENTIAL DISCLOSURE</small> <small>This drawing is the property of POWEREX of the SCOTT FETTER COMPANY and is subject to return on demand. Its contents are confidential and must not be copied or submitted to outside parties for use or examination.</small>		ASoulek	10/2/2018
<small>CONFIDENTIAL DISCLOSURE</small> <small>This drawing is the property of POWEREX of the SCOTT FETTER COMPANY and is subject to return on demand. Its contents are confidential and must not be copied or submitted to outside parties for use or examination.</small>			
<small>CONFIDENTIAL DISCLOSURE</small> <small>This drawing is the property of POWEREX of the SCOTT FETTER COMPANY and is subject to return on demand. Its contents are confidential and must not be copied or submitted to outside parties for use or examination.</small>		DRAWING NUMBER	REVISION
<small>CONFIDENTIAL DISCLOSURE</small> <small>This drawing is the property of POWEREX of the SCOTT FETTER COMPANY and is subject to return on demand. Its contents are confidential and must not be copied or submitted to outside parties for use or examination.</small>		MST10A5	A
<small>CONFIDENTIAL DISCLOSURE</small> <small>This drawing is the property of POWEREX of the SCOTT FETTER COMPANY and is subject to return on demand. Its contents are confidential and must not be copied or submitted to outside parties for use or examination.</small>		SIZE	D

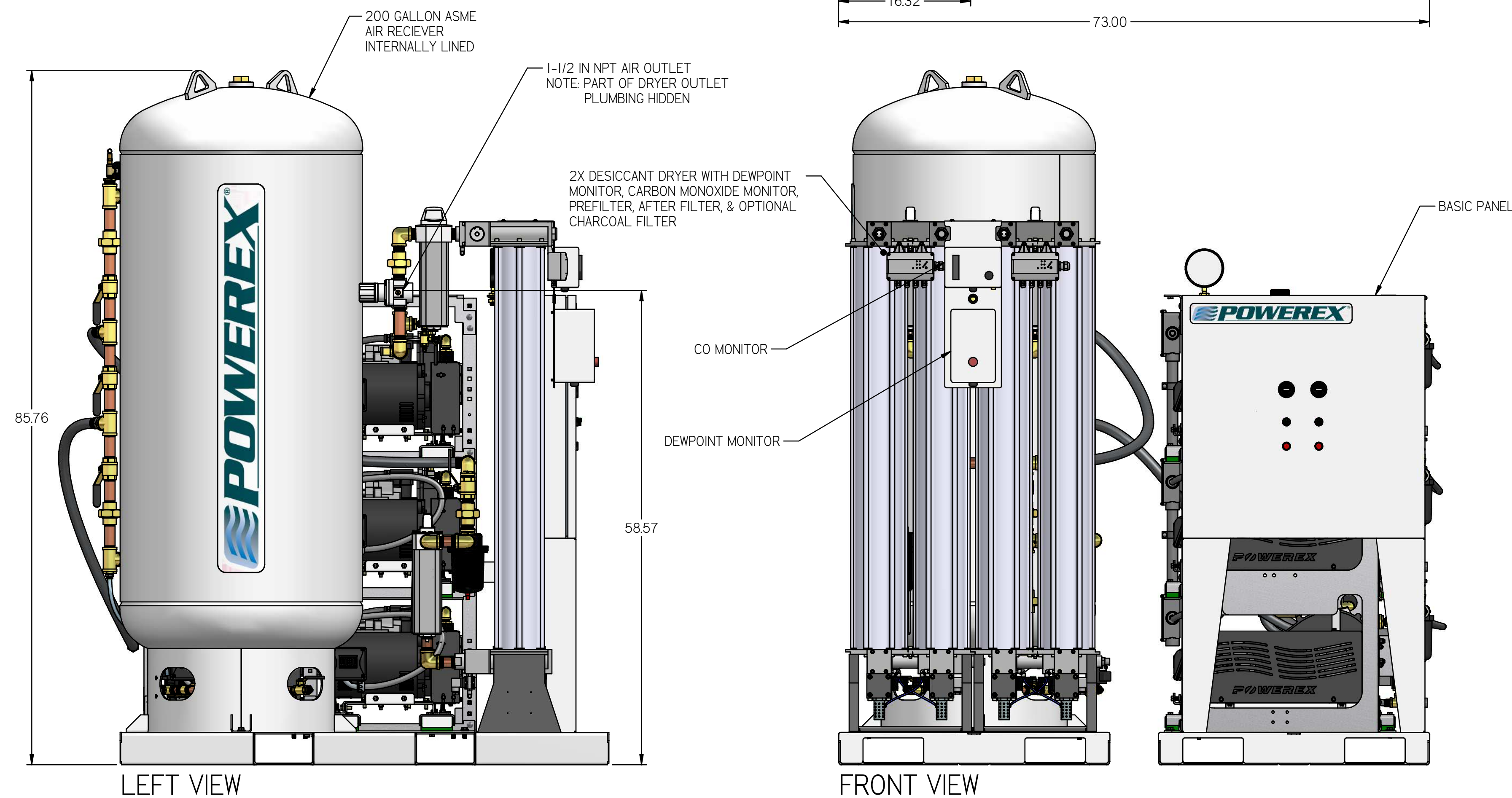
REVISION NOTES		
DESCRIPTION	ECN	PR/NOR
PRODUCTION RELEASE	PXECO169	N/A

MST10A5

MEDICAL OPEN SCROLL 10 HP TRIPLEX WITH 200 GALLON TANK BASIC PANEL

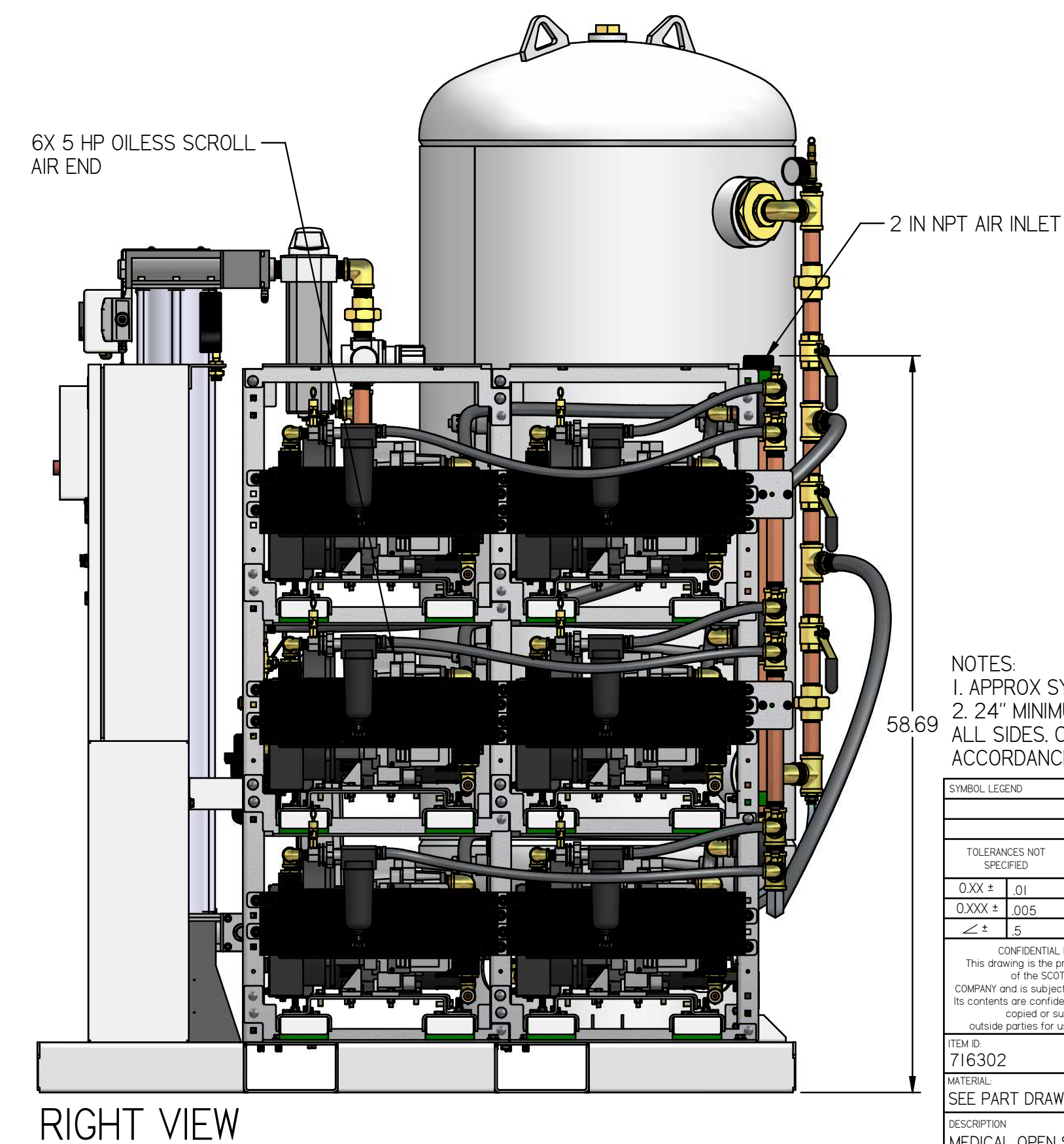


ISO VIEW



LEFT VIEW

FRONT VIEW



RIGHT VIEW

- NOTES:
 1. APPROX SYSTEM WEIGHT: 3233 LB
 2. 24" MINIMUM MAINTENANCE CLEARANCE RECOMMENDED
 ALL SIDES. CLEARANCE FOR CONTROL PANEL SHALL BE IN ACCORDANCE WITH OSHA/NEC REQUIREMENTS

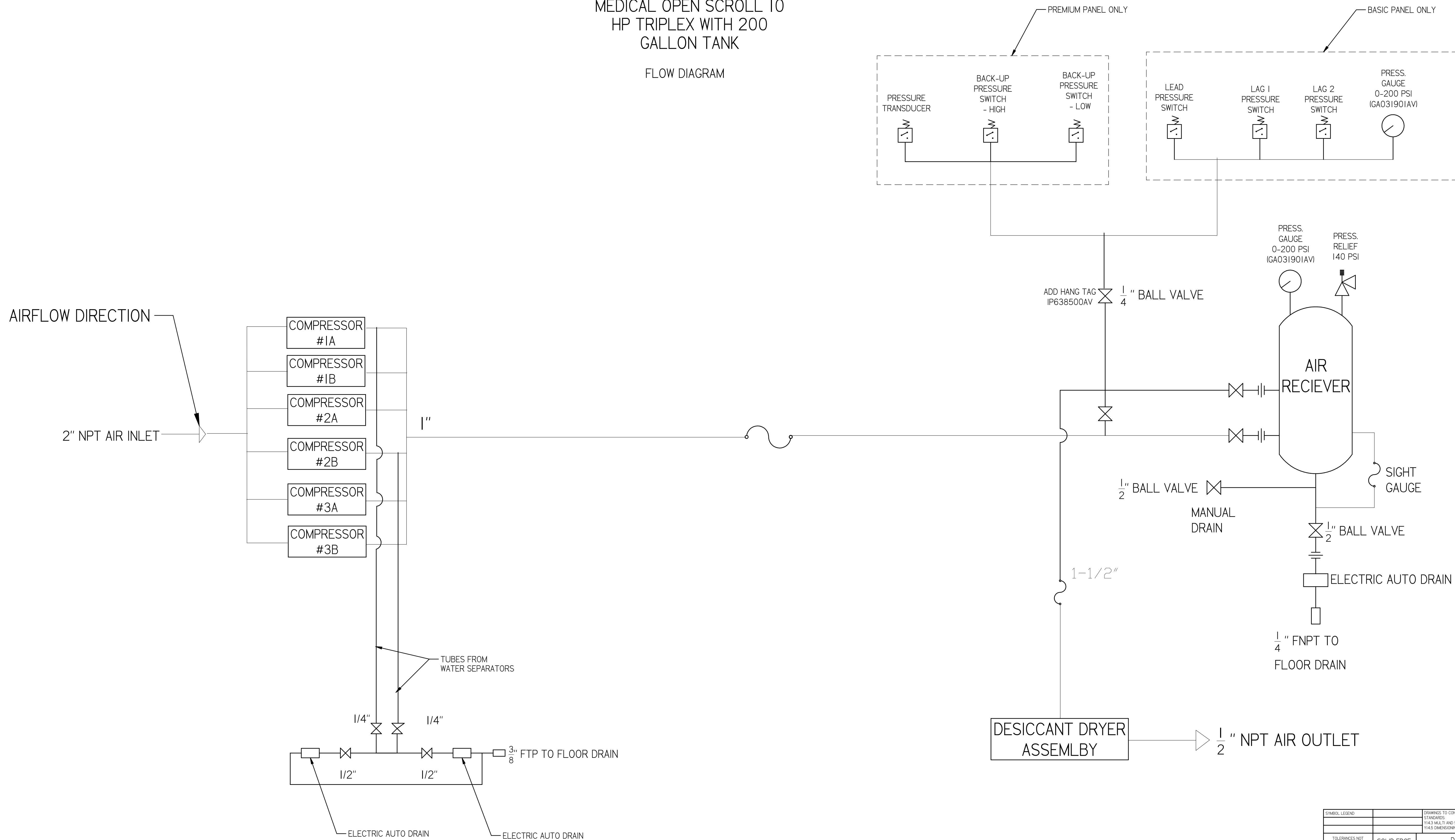
SYMBOL LEGEND		DRAWINGS TO CONFORM TO CURRENT REVISION OF THE FOLLOWING ANSI STANDARDS: Y14.3 MULTI AND SECTIONAL VIEW DIMS Y14.5 DIMENSIONING AND TOLERANCING	
TOLERANCES NOT SPECIFIED	SOLID EDGE DRAWING	DO NOT SCALE DRAWING FOR DIMENSIONS	
0.00X ± .01	INCH	SHEET 2 OF 5	SCALE 1:10
0.00X ± .005		APPROVALS ON FILE IN PLM	
<small>CONFIDENTIAL DISCLOSURE</small> This drawing is the property of POWEREX of the SCOTT FETTER COMPANY and is subject to return on demand. Its contents are confidential and must not be copied or submitted to outside parties for use or examination.		A Soulek	10/2/2018
TITLE: 716302 MATERIAL: SEE PART DRAWINGS			150 PRODUCTION DRIVE, HARRISON OH 45030 (888) 768-7079
DESCRIPTION: MEDICAL OPEN SCROLL 10 HP TRIPLEX WITH 200 GALLON TANK	DRAWING NUMBER: MST10A5	REVISION: A	SIZE: D

MST10A5

MEDICAL OPEN SCROLL 10
HP TRIPLEX WITH 200
GALLON TANK

FLOW DIAGRAM

REVISION NOTES		
DESCRIPTION	ECN	PR/NOR
PRODUCTION RELEASE	PXECO169	N/A

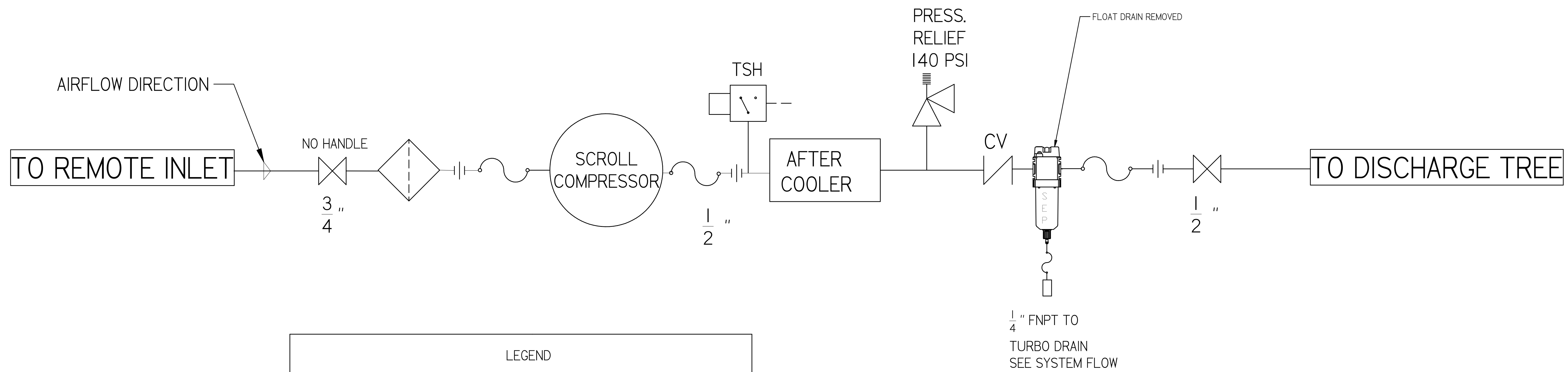


SYMBOL LEGEND		DRAWINGS TO CONFORM TO CURRENT REVISION OF THE FOLLOWING ANSI STANDARDS:	
TOLERANCES NOT SPECIFIED:		1:4:3 MULTI AND SECTIONAL VIEW DIMS	
0.XXX ± .01	SOLID EDGE DRAWING	DO NOT SCALE DRAWING FOR DIMENSIONS	
0.XXX ± .005		SHEET 3 OF 5	SCALE 1:1
∠ ± .5	INCH	APPROVALS ON FILE IN PLM	
<small>CONFIDENTIAL DISCLOSURE</small> This drawing is the property of POWEREX of the SCOTT FETTER COMPANY and is subject to return on demand. Its contents are confidential and must not be copied or submitted to outside parties for use or examination.		Auteur	ORIGINATION DATE
ITEM NO: 716302		ASoulek	10/2/2018
MATERIAL: SEE PART DRAWINGS			
DESCRIPTION: MEDICAL OPEN SCROLL 10 HP TRIPLEX WITH 200 GALLON TANK		DRAWING NUMBER	REVISION
		MST10A5	A
			D

REVISION NOTES		
DESCRIPTION	ECN	PR/NOR
PRODUCTION RELEASE	PXECO169	N/A

MST10A5

MEDICAL OPEN SCROLL 10
HP TRIPLEX WITH 200
GALLON TANK
MEDICAL COMPRESSOR
FLOW DIAGRAM



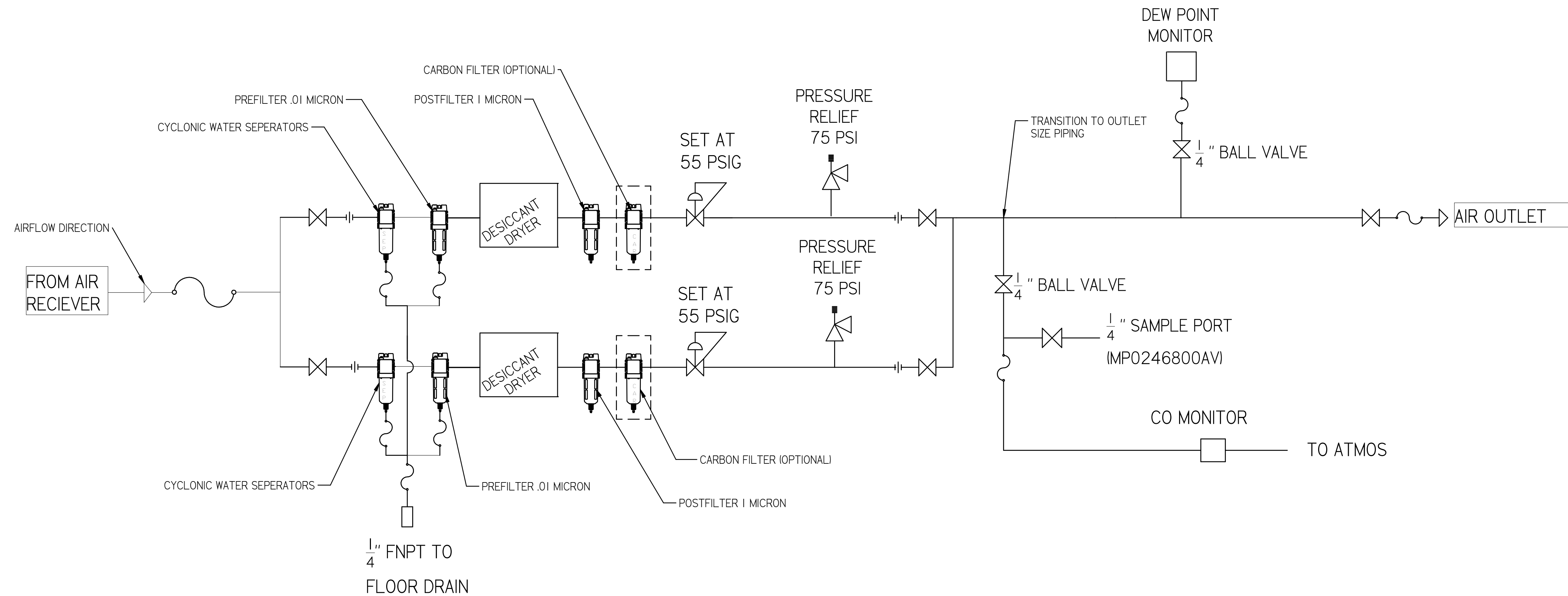
LEGEND	
	RELIEF VALVE
	INTAKE FILTER
	AIR FILTER
	3 WAY VALVE
	CARBON FILTER
	BALL VALVE
	PRESSURE SWITCH
	REGULATOR
	SEPARATOR
	CHECK VALVE
	FLEX LINE
	TSH HIGH TEMP SWITCH

SYMBOL LEGEND		DRAWINGS TO CONFORM TO CURRENT REVISION OF THE FOLLOWING ANSI STANDARDS:	
TOLERANCES NOT SPECIFIED:		Y14.3 MULTI AND SECTIONAL VIEW DIMS	
0.XXX ± .01	SOLID EDGE DRAWING	Y14.5 DIMENSIONING AND TOLERANCING	
0.XXX ± .005		SHEET 4 OF 5	SCALE I:1
± .5	INCH	APPROVALS ON FILE IN PLM	
<small>CONFIDENTIAL DISCLOSURE</small> This drawing is the property of POWEREX of the SCOTT FETTER COMPANY and is subject to return on demand. Its contents are confidential and must not be copied or submitted to outside parties for use or examination.		AUTHOR	ORIGINATION DATE
ITOM ID: 716302 MATERIAL: SEE PART DRAWINGS		ASoulek	10/2/2018
DESCRIPTION: MEDICAL OPEN SCROLL 10 HP TRIPLEX WITH 200 GALLON TANK		 150 PRODUCTION DRIVE, HARRISON OH 45030 (888) 768-7079	
DRAWING NUMBER: MST10A5		REVISION: A	SIZE: D

REVISION NOTES		
DESCRIPTION	ECN	PR/NOR
PRODUCTION RELEASE	PXECO169	N/A

MST10A5

MEDICAL OPEN SCROLL 10
HP TRIPLEX WITH 200
GALLON TANK
MEDICAL DRYER
FLOW DIAGRAM



PIPE SIZE CHART		
PUMP COUNT	DRYER PLUMBING SIZE	OUTLET PIPE SIZE
2	1/2"	1/2"
3	1/2"	1"
4	1/2"	1"
6	1"	1-1/2"
8	1"	1-1/2"
9	1"	1-1/2"
12	1-1/2"	2"
15	1-1/2"	2"
18	1-1/2"	2"

SYMBOL LEGEND		DRAWINGS TO CONFORM TO CURRENT REVISION OF THE FOLLOWING ANSI STANDARDS: Y14.3 MULTI AND SECTIONAL VIEW DWGS Y14.5 DIMENSIONING AND TOLERANCING	
TOLERANCES NOT SPECIFIED	SOLID EDGE DRAWING	DO NOT SCALE DRAWING FOR DIMENSIONS	
0.XXX ± .01		SHEET 5 OF 5	SCALE 1:1
0.XXX ± .005	APPROVALS ON FILE IN PLM		
± .5		INCH	A Soulek
<small>CONFIDENTIAL DISCLOSURE</small> This drawing is the property of POWEREX of the SCOTT FETTER COMPANY and is subject to return on demand. Its contents are confidential and must not be copied or submitted to outside parties for use or examination.			
<small>FROM:</small> 716302 <small>MATERIAL:</small> SEE PART DRAWINGS	<small>DESCRIPTION:</small> MEDICAL OPEN SCROLL 10 HP TRIPLEX WITH 200 GALLON TANK	<small>DRAWING NUMBER:</small> MST10A5	<small>REVISION:</small> A <small>SIZE:</small> D

