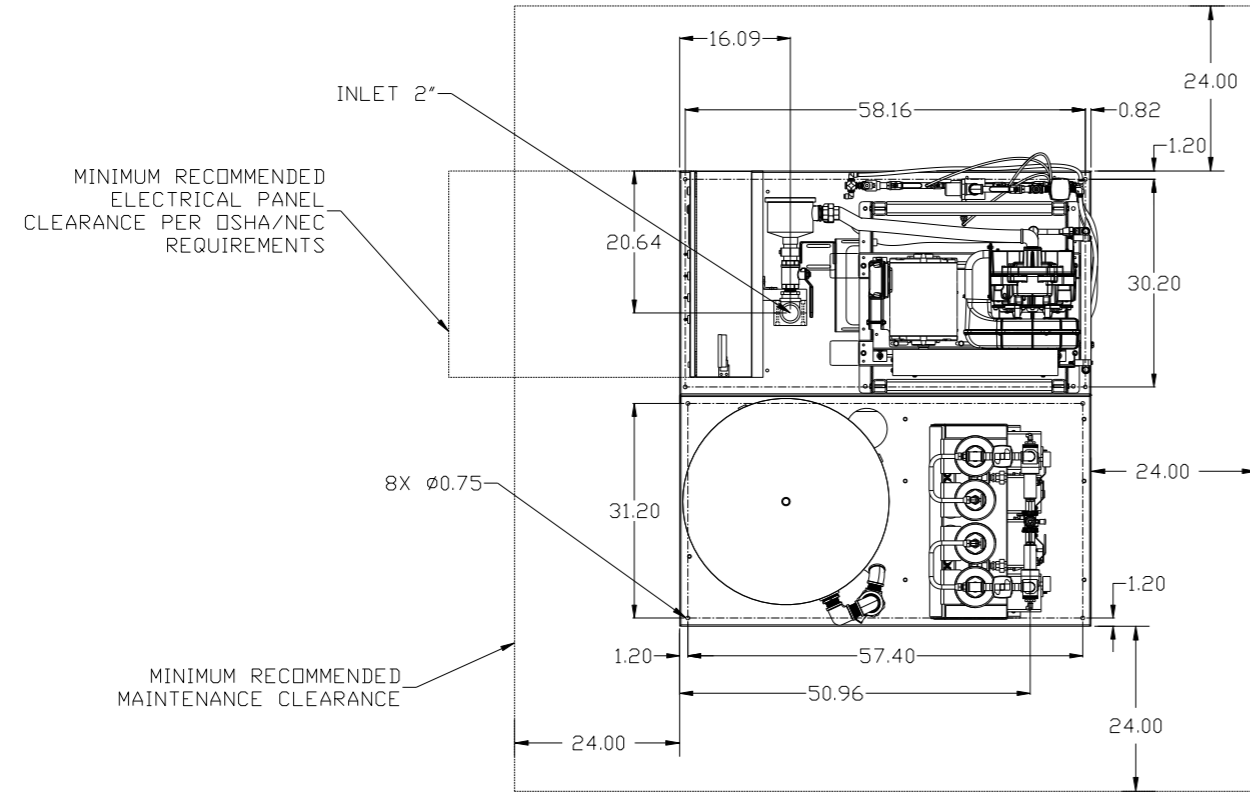


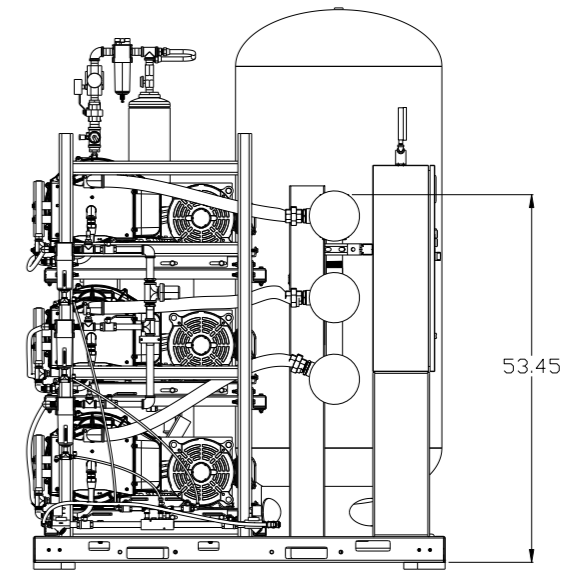
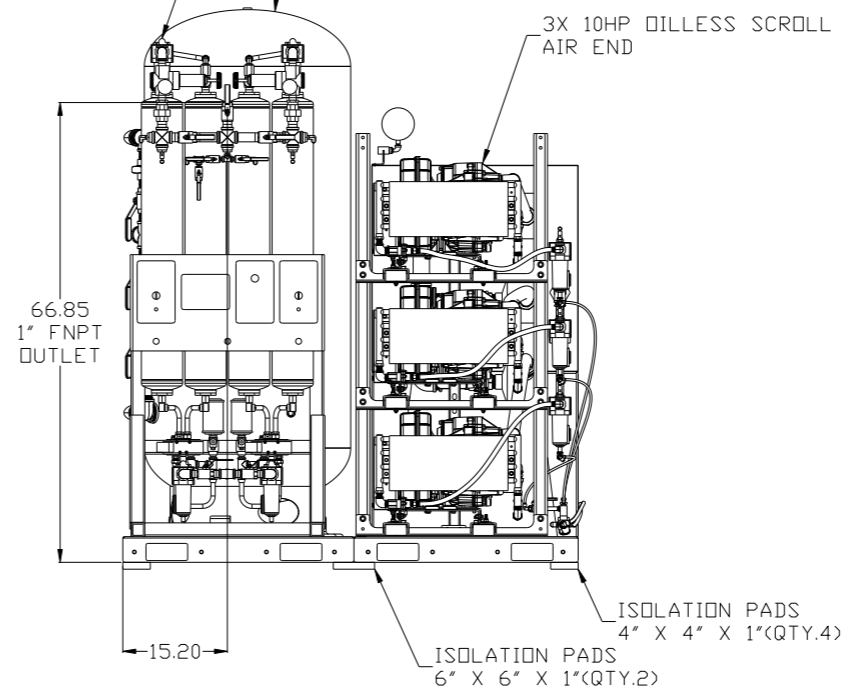
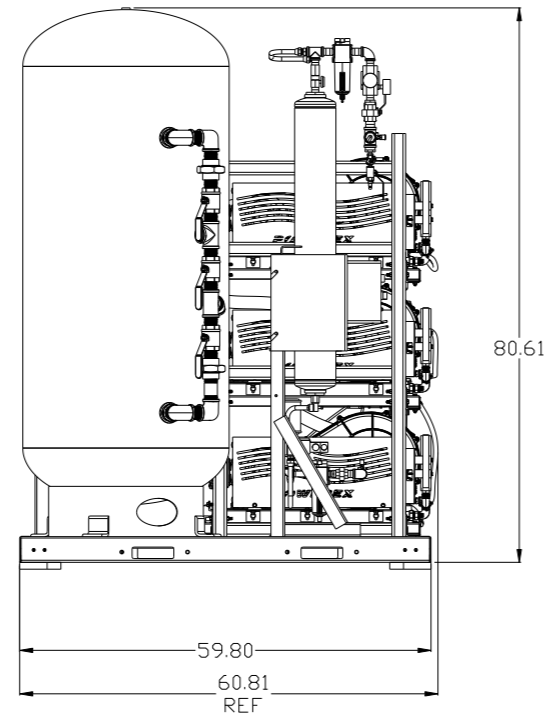
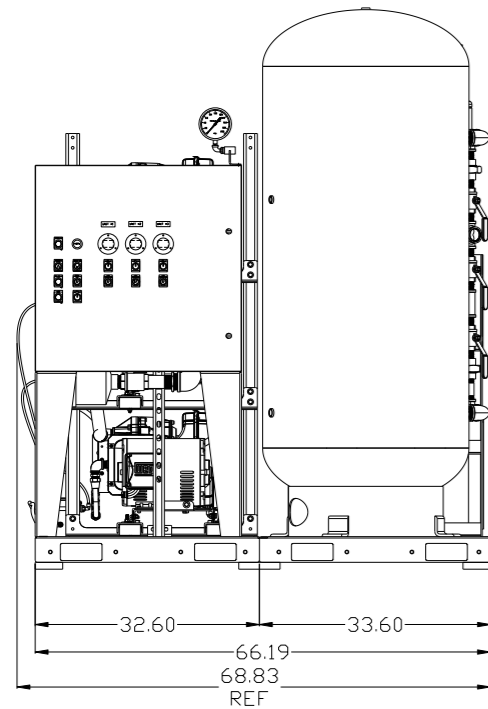
REV	ZONE	REVISION	DATE	ECN	NAME	CHKD
B-1	ALL	RELEASE TO PRODUCTION	2/23/15	PKEC0057	JBE	AEK
C-1	M-C4	CORRECTED PUMP SRV LOCATION	8/10/15	PKEC0093	AEK	GES
D-1	2 ALL	CORRECTED SEPARATOR DRAIN LINES TO 1/4"				
	2 ALL	ADDED NOTE TO REMOVE SEPARATOR FLOAT	01/05/16	PKEC0167	MJD	GES
	1 ALL	ADDED OUTLINE FOR RECOMMENDED CLEARANCES				
	1 ALL	UPDATED INLET TREE				



2X DESICCANT DRYER  
W/ DEW POINT MONITOR,  
CARBON MONOXIDE MONITOR,  
PRE FILTER, AFTER FILTER  
& OPTIONAL CHARCOAL FILTER.

200 GALLON ASME  
AIR RECEIVER  
INTERNALLY LINED

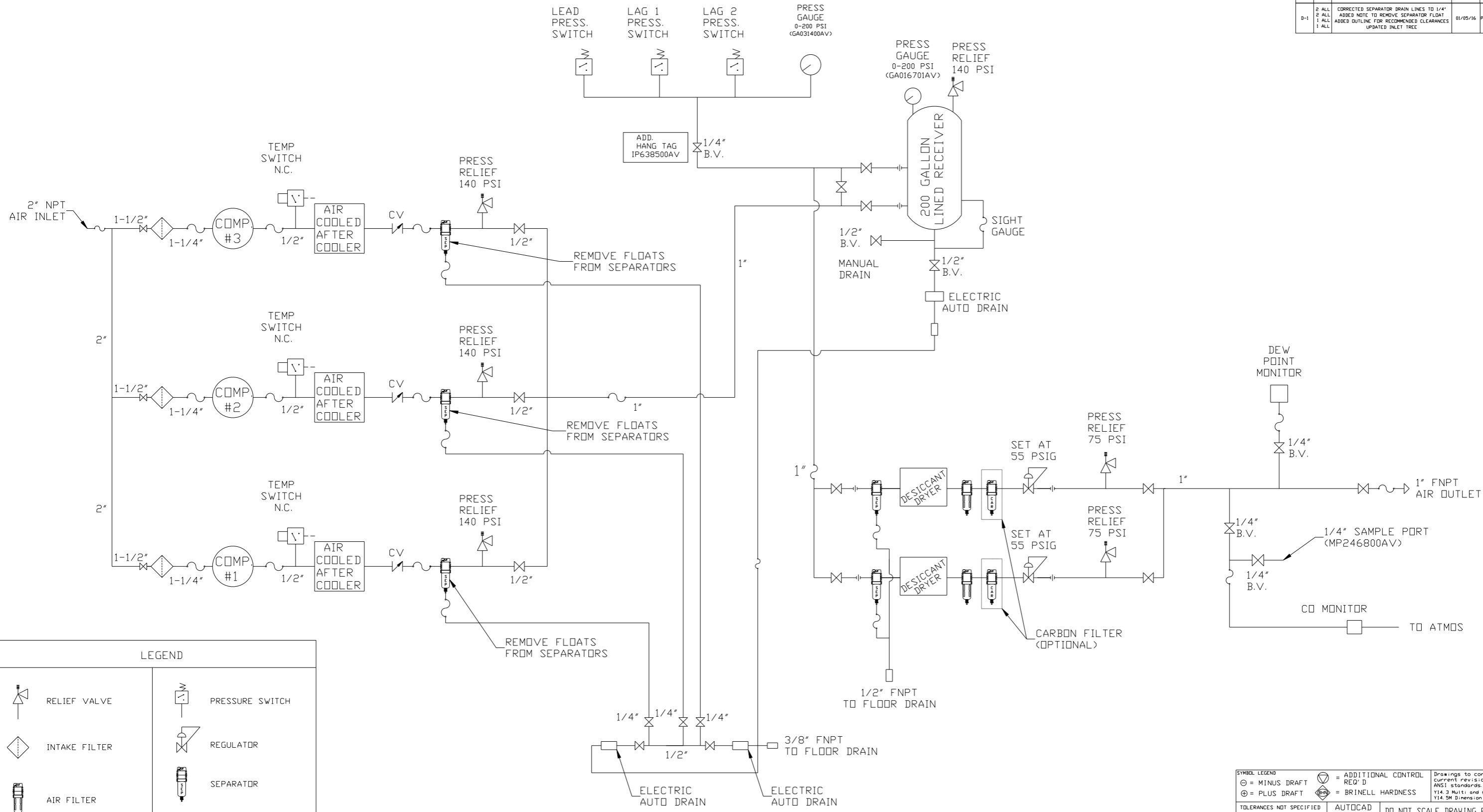
3X 10HP DILLESS SCROLL  
AIR END



NOTE: SYSTEM DESIGNED IN  
COMPLIANCE WITH US NFPA'99,  
LATEST EDITION.

SYMBOL LEGEND		= ADDITIONAL CONTROL REQ'D		Drawings to conform to the current revision of the following ANSI standards:	
⊖	MINUS DRAFT	⊕	PLUS DRAFT	⊖	BRINELL HARDNESS
TOLERANCES NOT SPECIFIED		AUTOCAD REL2000:		DO NOT SCALE DRAWING FOR DIMENSIONS	
.XX ±		INCH		Sheet 1 of 2	SCALE 1:14
.XXX ±					
<<DEG>> ±					
CONFIDENTIAL DISCLOSURE					
This drawing is the property of POWEREX, INC. of the SCOTT FELTZER COMPANY and subject to return on demand. Its contents are confidential and must not be copied or submitted to outside parties for use or examination.					
DRAWN BY		CHECKED BY		APPROVED BY	
JBE		AEK		JA NA	
2/23/15		2/23/15		2/23/15 2/23/15	
MATERIAL		N/A			
PART NAME		MED TRIPLEX SCROLL 10HP 200GAL BASEMOUNT DUPLEX DESICCANT			
DWG NO		MST10B5		SIZE D	

REV	ZONE	REVISION	DATE	ECN	NAME	CHKD
B-1	ALL	RELEASE TO PRODUCTION	2/23/15	PKEC0057	JBE	AEK
C-1	2 36-C6	CORRECTED PUMP SRV LOCATION	8/10/15	PKEC0093	AEK	GES
D-1	2 ALL 2 ALL 1 ALL 1 ALL	CORRECTED SEPARATOR DRAIN LINES TO 1/4" ADDED NOTE TO REMOVE SEPARATOR FLOAT ADDED OUTLINE FOR RECOMMENDED CLEARANCES UPDATED INLET TREE	01/05/16	PKEC0167	MJD	GES



LEGEND	
	RELIEF VALVE
	INTAKE FILTER
	AIR FILTER
	3 WAY VALVE
	CARBON FILTER
	BALL VALVE
	PRESSURE SWITCH
	REGULATOR
	SEPARATOR
	CHECK VALVE
	FLEX LINE
	HIGH TEMP SWITCH
	UNION

NOTES:  
 1) IF LAG 2 COMPRESSOR IS ENERGIZED ALARM WILL OCCUR.  
 2) PIPING TO THE INLET BY OTHERS AND TO BE PER NFPA99 4-3.1.1.9(b)  
 3) INSTRUMENTS DOWN STREAM OF SOURCE VALVE TO BE SUPPLIED BY OTHERS.

SYMBOL LEGEND		= ADDITIONAL CONTROL REQ'D	Drawings to conform to the current revision of the following ANSI standards Y14.3 Multi and sectional view dgs Y14.5M Dimensioning and tolerancing
TOLERANCES NOT SPECIFIED		= BRINELL HARDNESS	
.XX ± .XXX ± Z( DEG ) ±	AUTOCAD REL2000: INCH	DO NOT SCALE DRAWING FOR DIMENSIONS	SCALE 1:14
CONFIDENTIAL DISCLOSURE This drawing is the property of POWEREX, INC. of the SCOTT FETZER COMPANY and subject to return on demand. Its contents are confidential and must not be copied or submitted to outside parties for use or examination.	DRAWN BY JBE	CHECKED BY AEK	APPROVED BY JA
MATERIAL N/A	2/23/15	2/23/15	2/23/15
PART NAME MED 10HP SCROLL TRIPLEX FLOW SCHEMATIC	 150 PRODUCTION DRIVE, HARRISON, OHIO 45030 Ph: 888-769-7979 FAX: (513) 367-3165		SIZE D
	DWG NO MST10B5		

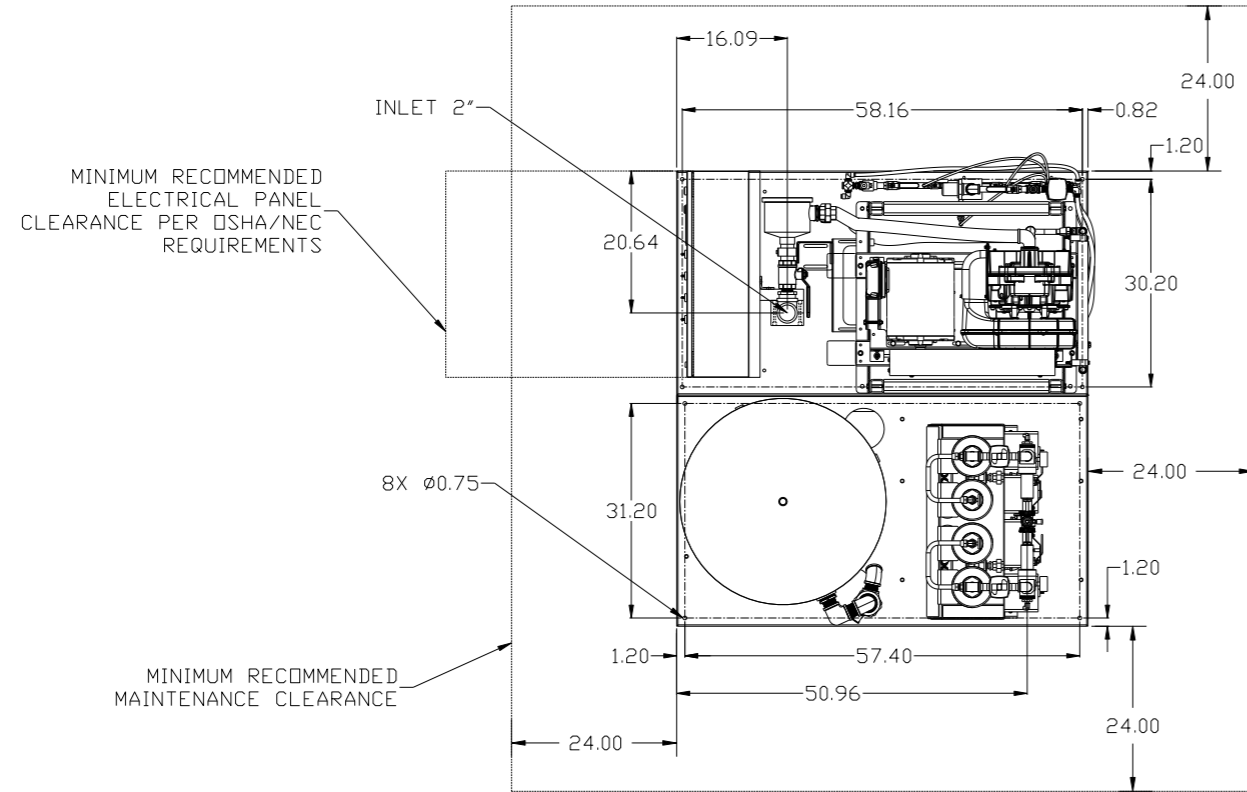
8 7 6 5 4 3 2 1

D  
C  
B  
A

8 7 6 5 4 3 2 1

MST10B5.dwg

REV	ZONE	REVISION	DATE	ECN	NAME	CHKD
B-1	ALL	RELEASE TO PRODUCTION	2/23/15	PXEC0057	JBE	AEK
C-1	2 M-54	CORRECTED PUMP SRV LOCATION	8/10/15	PXEC0093	AEK	GES
D-1	2 ALL 2 ALL 1 ALL 1 ALL	CORRECTED SEPARATOR DRAIN LINES TO 1/4" ADDED NOTE TO REMOVE SEPARATOR FLOAT ADDED OUTLINE FOR RECOMMENDED CLEARANCES UPDATED INLET TREE	01/05/16	PXEC0167	MJD	GES



2X DESICCANT DRYER  
W/ CARBON MONOXIDE MONITOR,  
PRE FILTER, AFTER FILTER  
& OPTIONAL CHARCOAL FILTER.

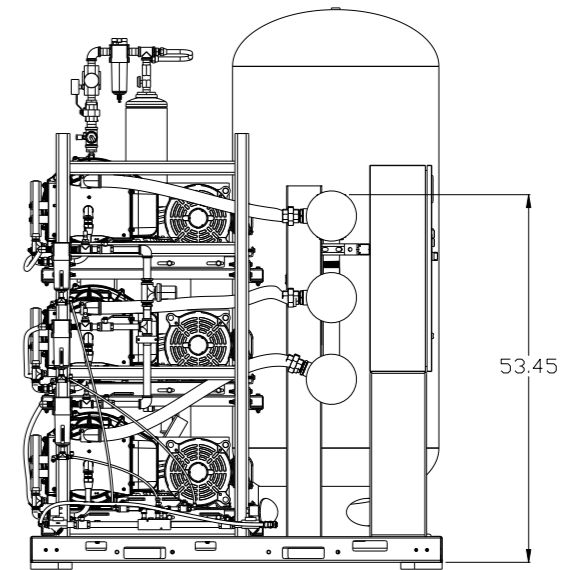
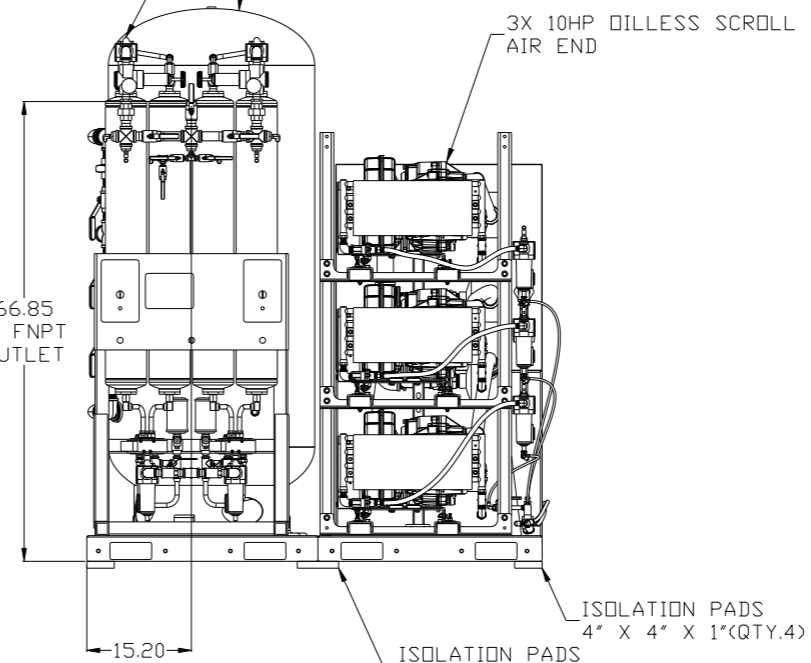
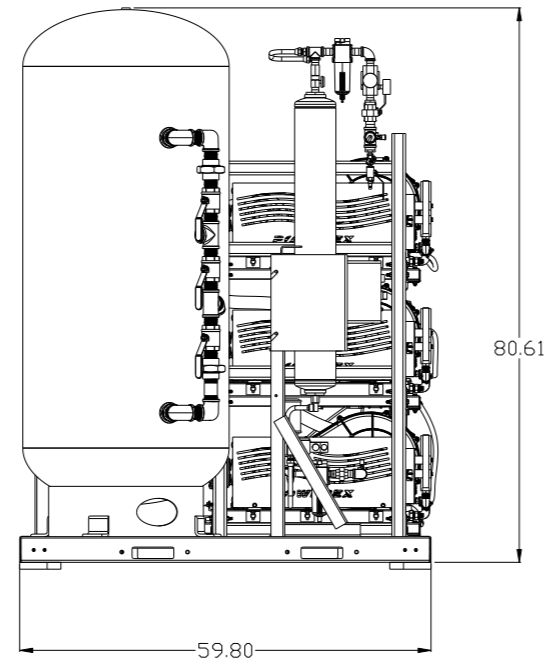
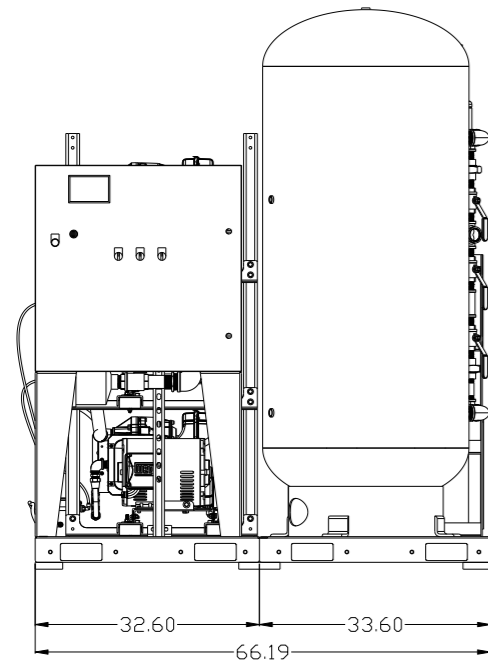
200 GALLON ASME  
AIR RECEIVER  
INTERNALLY LINED

3X 10HP DILLESS SCROLL  
AIR END

66.85  
1" FNPT  
OUTLET

ISOLATION PADS  
4" X 4" X 1"(QTY.4)

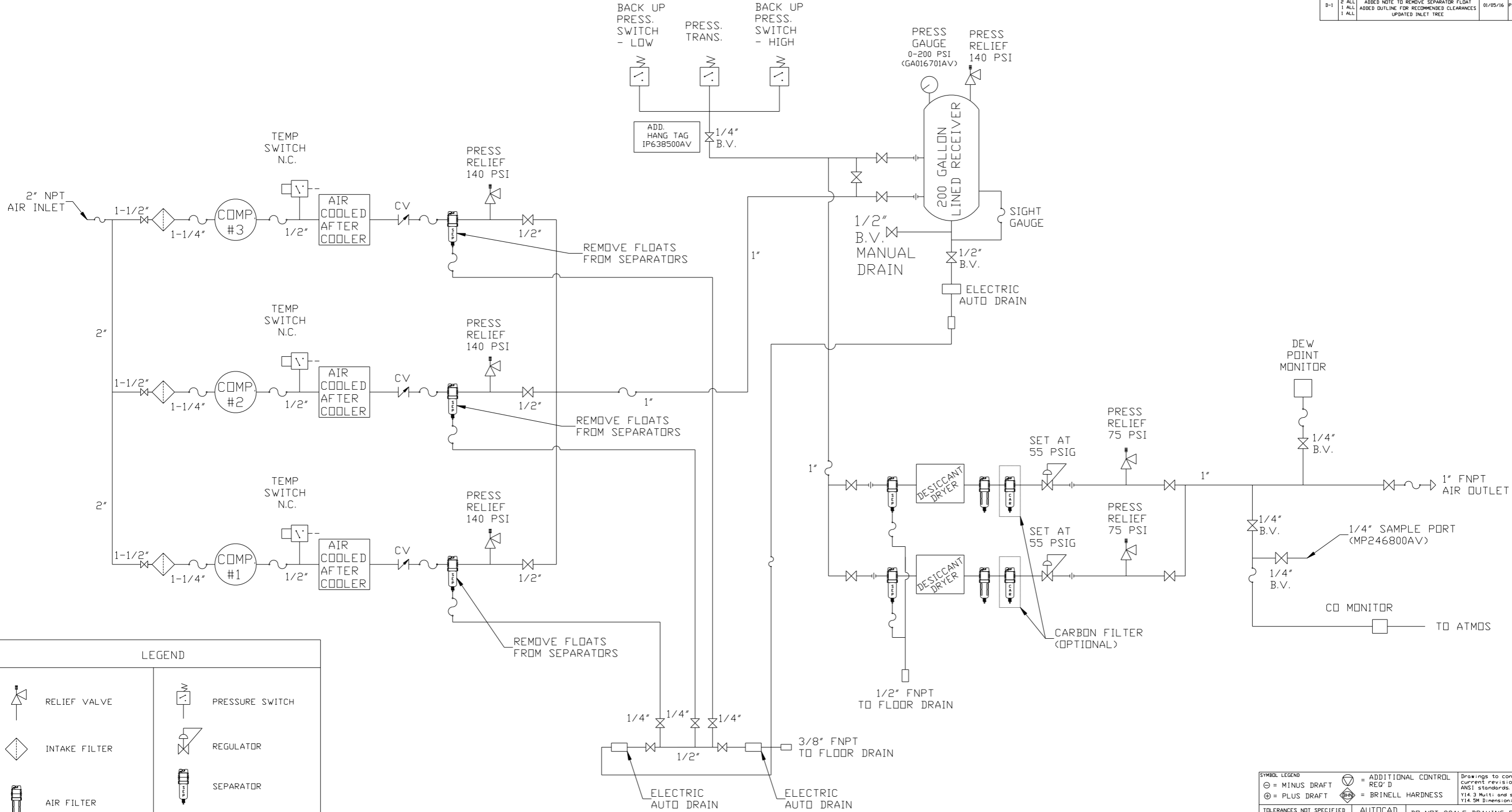
ISOLATION PADS  
6" X 6" X 1"(QTY.2)



NOTE: SYSTEM DESIGNED IN  
COMPLIANCE WITH US NFPA'99,  
LATEST EDITION.

SYMBOL LEGEND		= ADDITIONAL CONTROL REQ'D		Drawings to conform to the current revision of the following ANSI standards:	
⊖	MINUS DRAFT	⊕	PLUS DRAFT	⊖	BRINELL HARDNESS
TOLERANCES NOT SPECIFIED		AUTOCAD REL2000:		DO NOT SCALE DRAWING FOR DIMENSIONS	
.XX ±		INCH		Sheet 1 of 2	
.XXX ±				SCALE 1:14	
<<DEG>> ±					
CONFIDENTIAL DISCLOSURE					
This drawing is the property of POWEREX, INC. of the SCOTT FELTZER COMPANY and subject to return on demand. Its contents are confidential and must not be copied or submitted to outside parties for use or examination.					
DRAWN BY		CHECKED BY		APPROVED BY	
JBE		AEK		JA NA	
2/23/15		2/23/15		2/23/15 2/23/15	
MATERIAL		N/A		POWEREX	
PART NAME		MED TRIPLEX SCROLL		150 PRODUCTION DRIVE, HARRISON, OHIO 45030	
		10HP 200GAL BASEMOUNT		Ph: 888-769-7979 FAX: (513) 367-3125	
		DUPLX DESICCANT		SIZE D	
DWG NO		MST10B5		MST10B5.dwg	

REV	ZONE	REVISION	DATE	ECN	NAME	CHKD
B-1	ALL	RELEASE TO PRODUCTION	2/23/15	PKEC0057	JBE	AEK
C-1	2 M-54	CORRECTED PUMP SRV LOCATION	8/10/15	PKEC0093	AEK	GES
D-1	2 ALL 2 ALL 1 ALL 1 ALL	CORRECTED SEPARATOR DRAIN LINES TO 1/4" ADDED NOTE TO REMOVE SEPARATOR FLOAT ADDED OUTLINE FOR RECOMMENDED CLEARANCES UPDATED INLET TREE	01/05/16	PKEC0167	MJD	GES



LEGEND	
	RELIEF VALVE
	INTAKE FILTER
	AIR FILTER
	3 WAY VALVE
	CARBON FILTER
	BALL VALVE
	PRESSURE SWITCH
	REGULATOR
	SEPARATOR
	CHECK VALVE
	FLEX LINE
	HIGH TEMP SWITCH
	UNION

- NOTES:
- 1) IF LAG 2 COMPRESSOR IS ENERGIZED ALARM WILL OCCUR.
  - 2) PIPING TO THE INLET BY OTHERS AND TO BE PER NFPA99 4-3.1.1.9(b)
  - 3) INSTRUMENTS DOWN STREAM OF SOURCE VALVE TO BE SUPPLIED BY OTHERS.

SYMBOL LEGEND			= ADDITIONAL CONTROL REQ'D	Drawings to conform to the current revision of the following ANSI standards
	= MINUS DRAFT		= BRINELL HARDNESS	Y14.3 Multi and sectional view dgs. Y14.5M Dimensioning and tolerancing
TOLERANCES NOT SPECIFIED	AUTOCAD REL2000:	DO NOT SCALE DRAWING FOR DIMENSIONS		
.XX ±		Sheet 2 of 2	SCALE	1:14
.XXX ±		CONFIDENTIAL DISCLOSURE This drawing is the property of POWEREX, INC. OF THE SCOTT FETZER COMPANY and subject to return on demand. Its contents are confidential and must not be copied or submitted to outside parties for use or examination.		
<DEG> ±	INCH	DRAWN BY	CHECKED BY	APPROVED BY
		JBE	AEK	JA NA
		2/23/15	2/23/15	2/23/15 2/23/15
MATERIAL	N/A			
PART NAME	MED 10HP SCROLL TRIPLEX FLOW SCHEMATIC	DWG NO	MST10B5	SIZE D