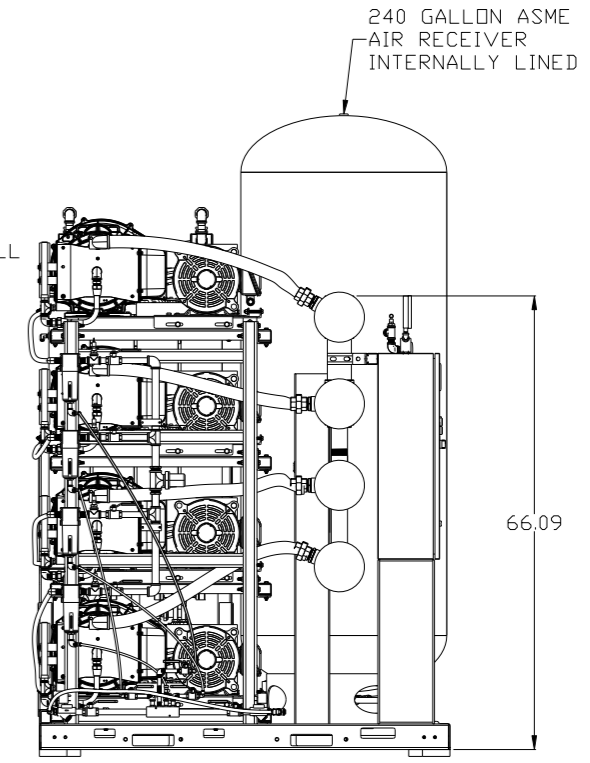
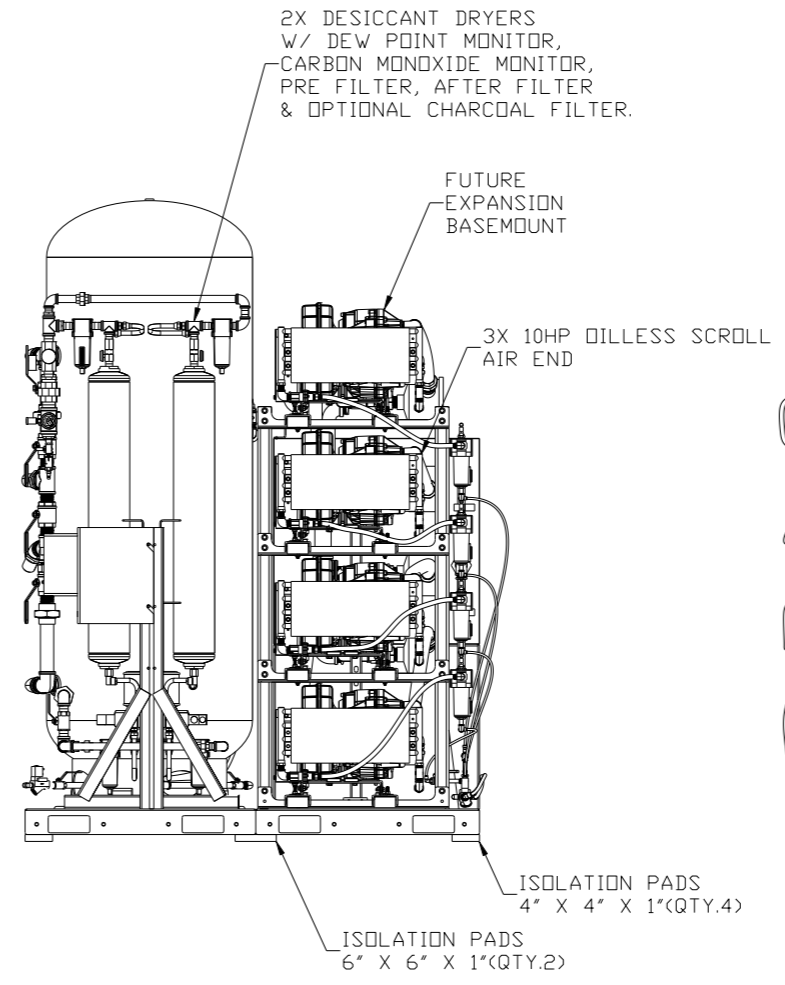
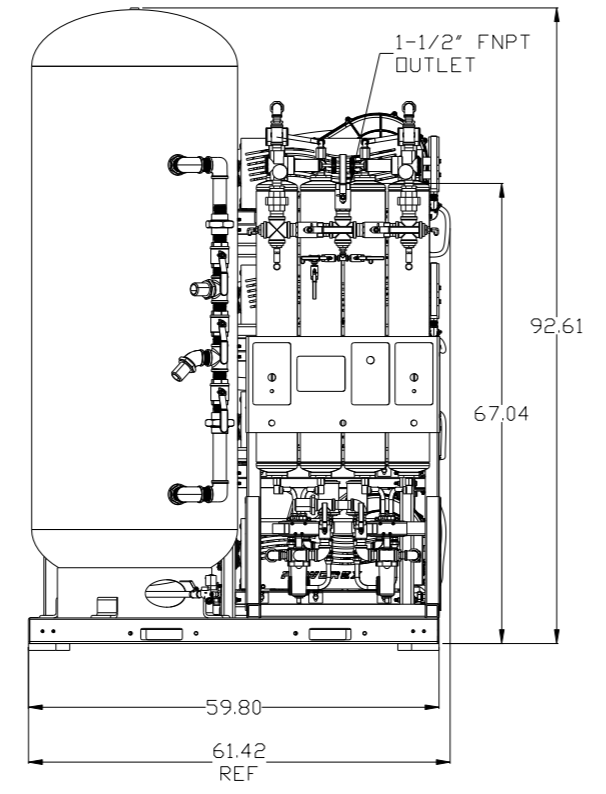
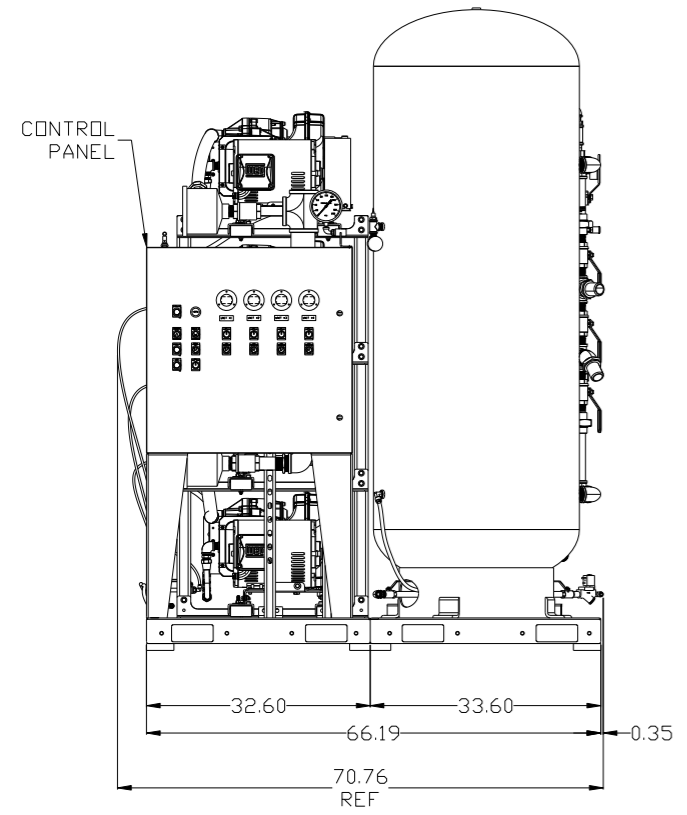
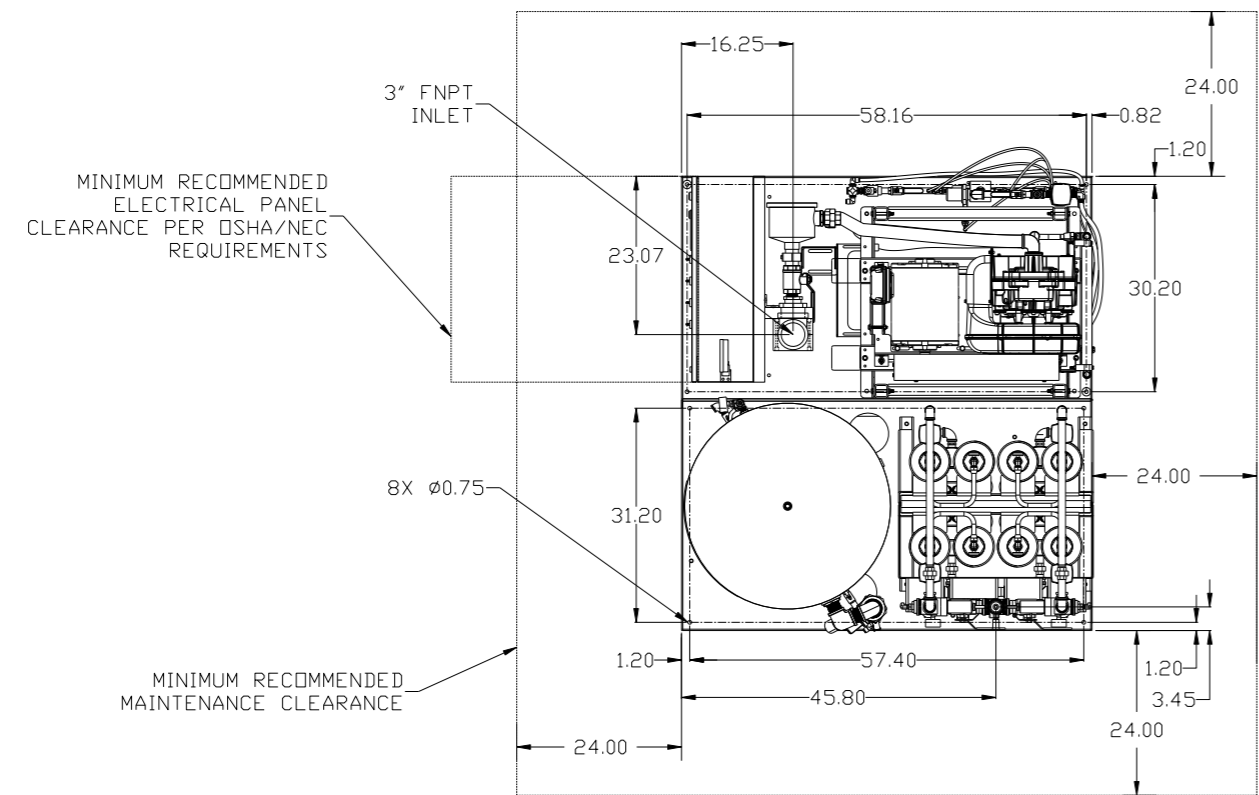


REV	ZONE	REVISION	DATE	ECN	NAME	CHKD
B-1	ALL	RELEASE TO PRODUCTION	1/18/16	PXEC0137	AEK	GES
C-1	ALL	CORRECTED SEPARATOR DRAIN LINES TO 1/4"				
	2	ADDED NOTE TO REMOVE SEPARATOR FLOAT				
	1	CORRECTED VIEW POSITIONING				
	1	ADDED OVERALL DIMENSIONS	01/05/16	PXEC0167	MJD	GES
	1	ADDED OUTLINE FOR RECOMMENDED CLEARANCES				
	1	UPDATED INLET TREE				



NOTE: SYSTEM DESIGNED IN COMPLIANCE WITH US NFPA'99, LATEST EDITION.

SYMBOL LEGEND

- ⊖ = MINUS DRAFT
- ⊕ = PLUS DRAFT
- ⊕ = ADDITIONAL CONTROL REQ'D
- Ⓜ = BRINELL HARDNESS

TOLERANCES NOT SPECIFIED

AUTOCAD REL2014 LT

DO NOT SCALE DRAWING FOR DIMENSIONS

Sheet 1 of 2

SCALE 1:14

CONFIDENTIAL DISCLOSURE: This drawing is the property of POWEREX, INC. of the SCOTT FETZER COMPANY and is subject to return on demand. Its contents are confidential and must not be copied or submitted to outside parties for use or examination.

DRAWN BY	CHECKED BY	APPROVED BY	MFG/MKTG
AEK	GES	KMD	DFG
1/18/16	1/18/16	1/18/16	1/18/16

MATERIAL: N/A

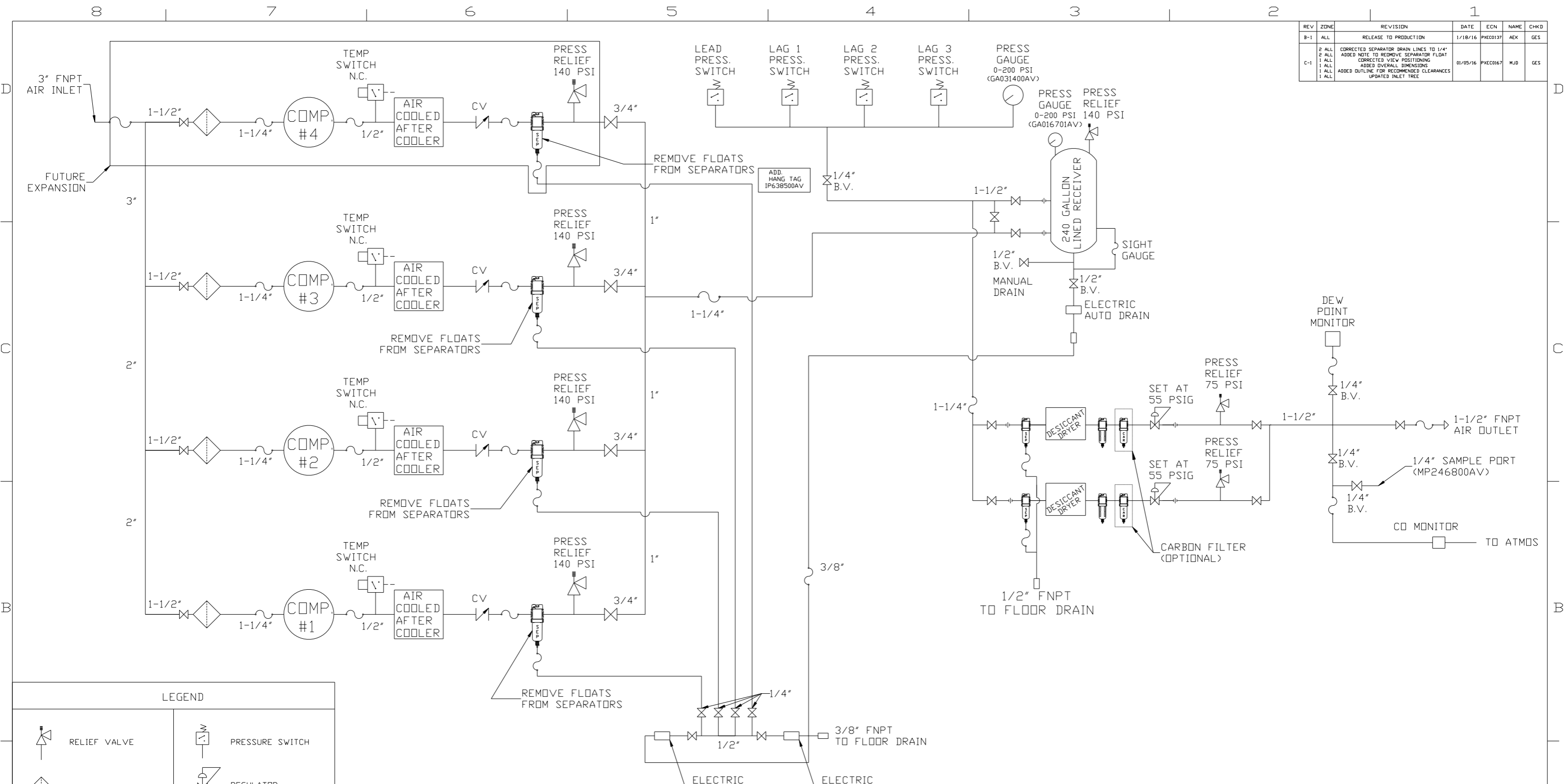
PART NAME: TRIPLEX MED SCROLL EXPANDABLE 10HP 240GAL BASEMOUNT DUPLEX DESICCANT

DWG NO: MST10B6-EX4

SIZE: D

POWEREX  
150 PRODUCTION DRIVE, HARRISON, OHIO 45030  
Ph: 888-769-7979 FAX: (513) 367-3125

REV	ZONE	REVISION	DATE	ECN	NAME	CHKD
B-1	ALL	RELEASE TO PRODUCTION	1/18/16	PKEC0137	AEK	GES
C-1	2 ALL	CORRECTED SEPARATOR DRAIN LINES TO 1/4"				
	2 ALL	ADDED NOTE TO REMOVE SEPARATOR FLOAT				
	1 ALL	CORRECTED VIEW POSITIONING				
	1 ALL	ADDED OVERALL DIMENSIONS	01/05/16	PKEC0167	MJD	GES
	1 ALL	ADDED OUTLINE FOR RECOMMENDED CLEARANCES				
	1 ALL	UPDATED INLET TREE				



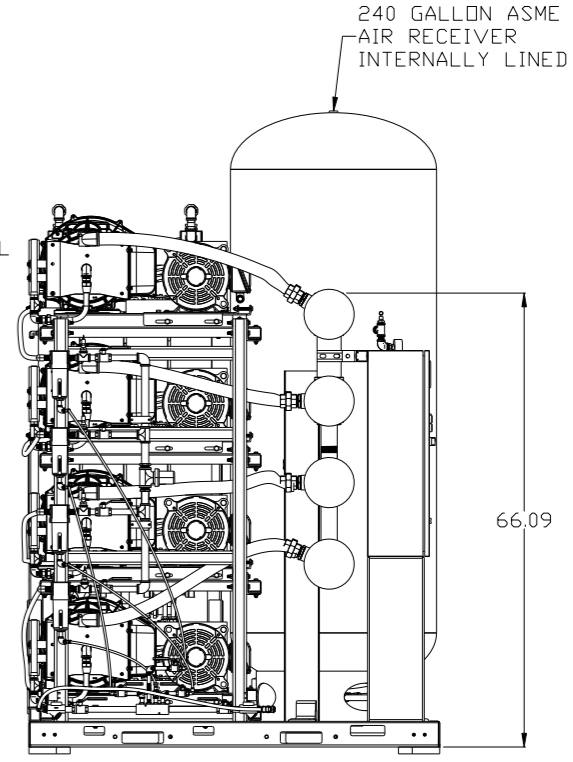
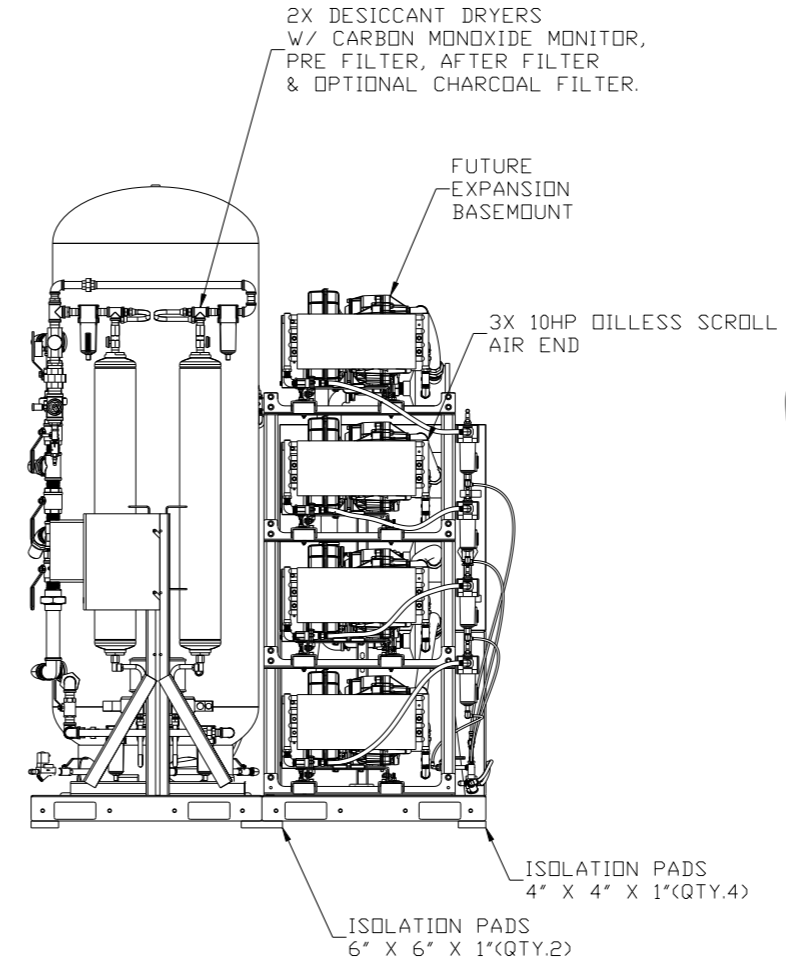
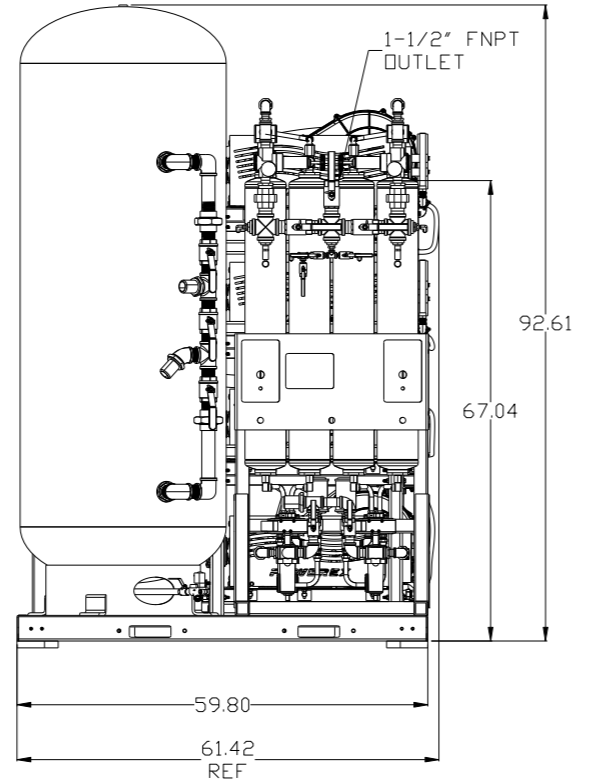
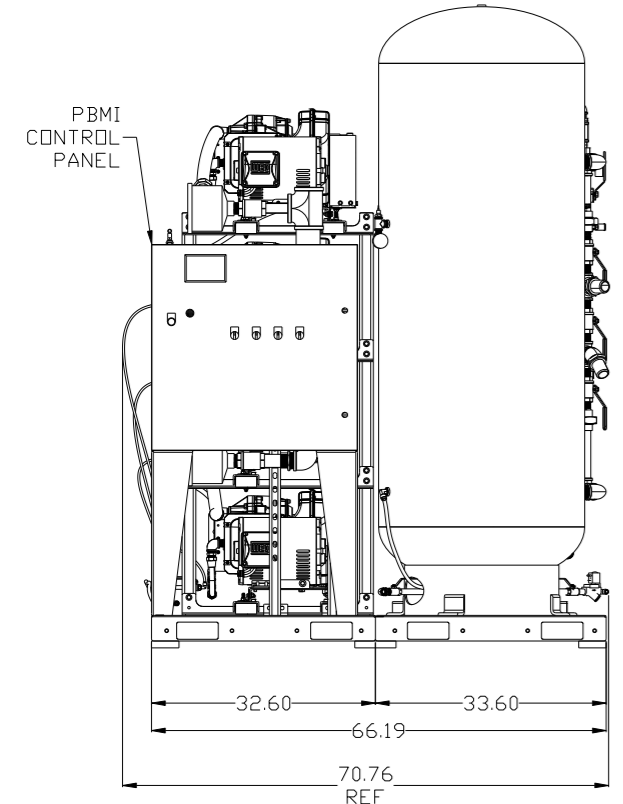
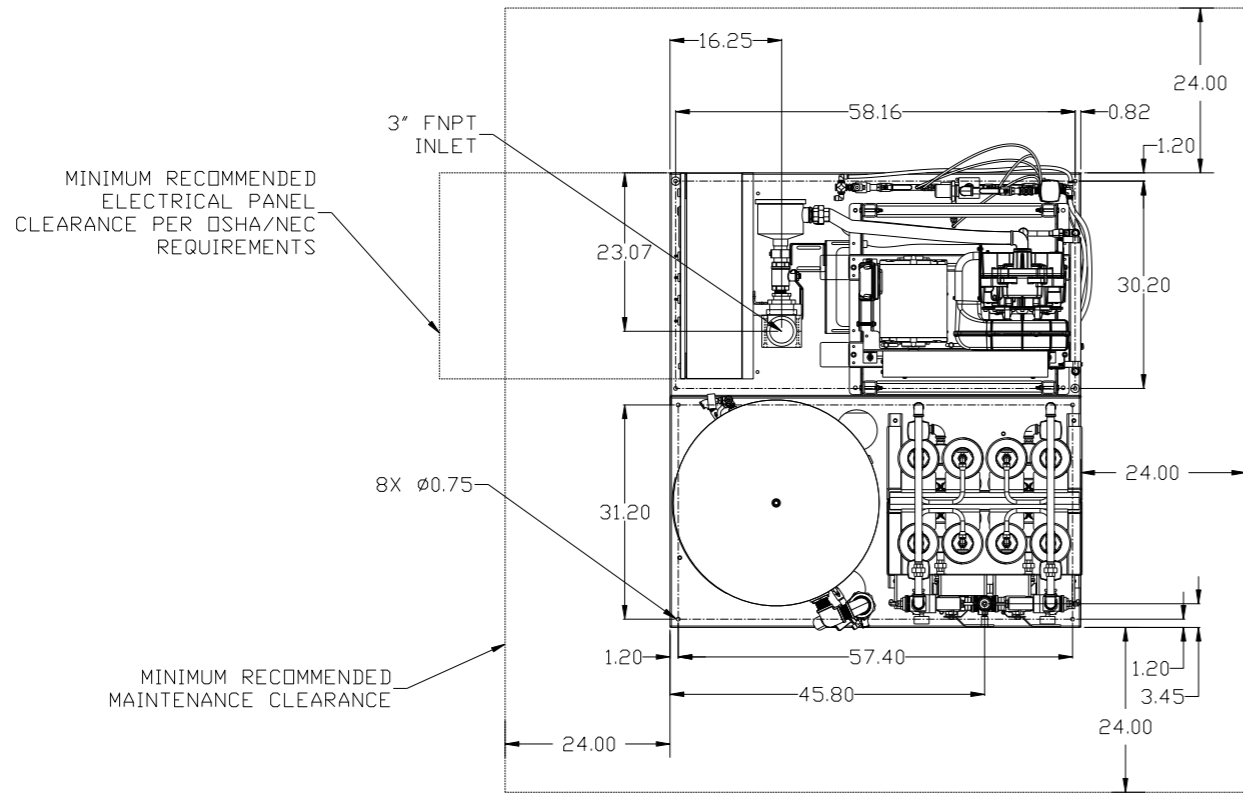
**LEGEND**

	RELIEF VALVE		PRESSURE SWITCH
	INTAKE FILTER		REGULATOR
	AIR FILTER		SEPARATOR
	CARBON FILTER		CHECK VALVE
	BALL VALVE		FLEX LINE
			HIGH TEMP SWITCH
			UNION

**NOTES:**  
 1) WITHOUT EXPANSION: IF LAG 2 COMPRESSOR IS ENERGIZED, ALARM WILL OCCUR.  
 WITH EXPANSION: IF LAG 3 COMPRESSOR IS ENERGIZED, ALARM WILL OCCUR.  
 2) PIPING TO THE INLET BY OTHERS AND TO BE PER NFPA99 4-3.1.1.9(b)  
 3) INSTRUMENTS DOWN STREAM OF SOURCE VALVE TO BE SUPPLIED BY OTHERS.

SYMBOL LEGEND		= ADDITIONAL CONTROL REQ'D		Drawings to conform to the current revision of the following ANSI standards	
⊖ = MINUS DRAFT		⊕ = PLUS DRAFT		Y14.3 Multi and sectional view dgs Y14.5M Dimensioning and tolerancing	
TOLERANCES NOT SPECIFIED		AUTOCAD REL2014 LT		DO NOT SCALE DRAWING FOR DIMENSIONS	
.XX ±		INCH		Sheet 2 of 2	
.XXX ±				SCALE 1:14	
< (DEG) ±					
CONFIDENTIAL DISCLOSURE					
This drawing is the property of POWEREX, INC. of the SCOTT FETZER COMPANY and subject to return on demand. Its contents are confidential and must not be copied or submitted to outside parties for use or examination.					
DRAWN BY		CHECKED BY		APPROVED BY	
AEK		GES		KMD DFG	
1/18/16		1/18/16		1/18/16 1/18/16	
MATERIAL N/A					
PART NAME					
TRIPLEX MED SCROLL EXPANDABLE PACKAGE FLOW SCHEMATIC					
DWG NO				SIZE	
MST10B6-EX4				D	

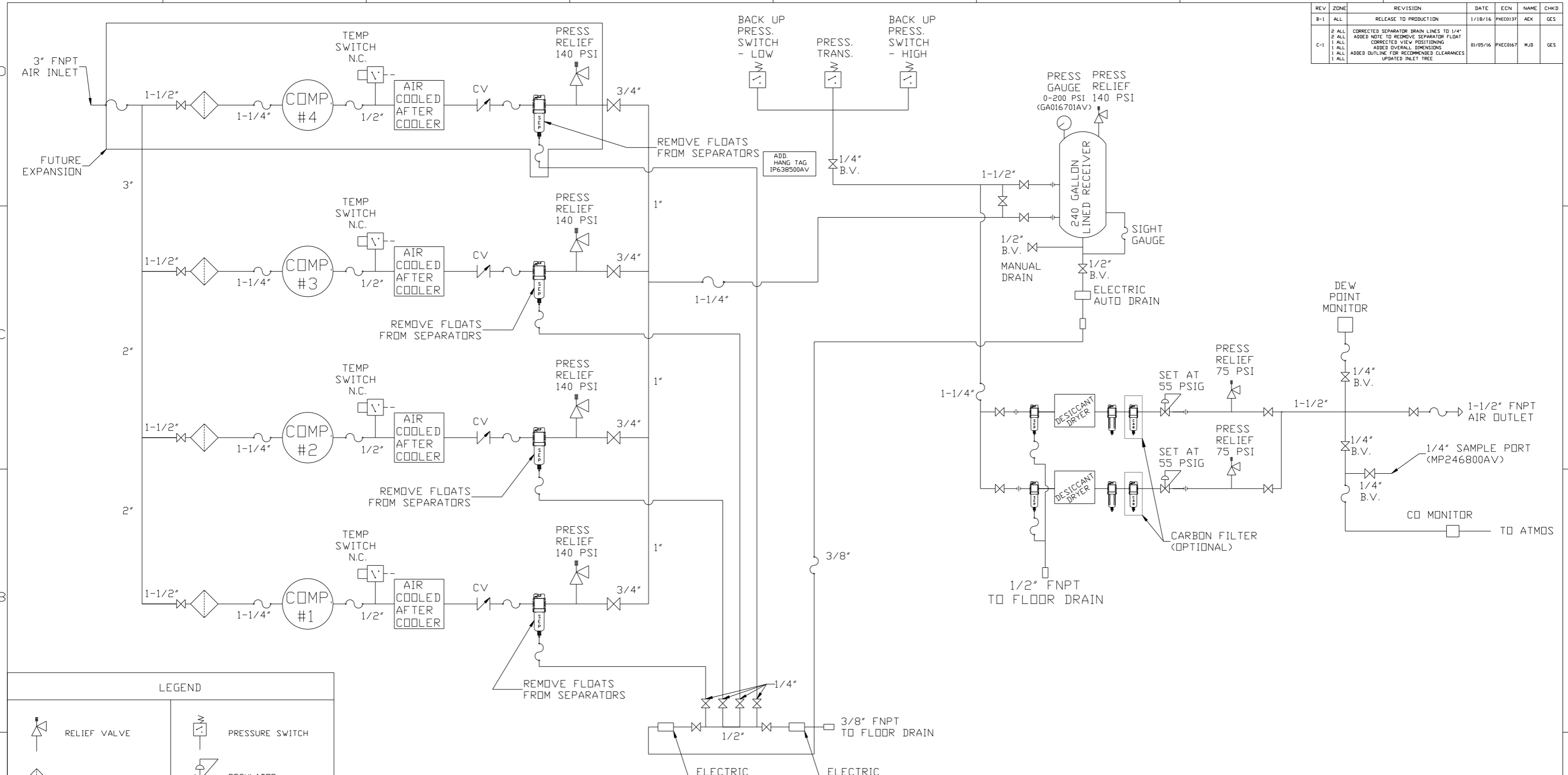
REV	ZONE	REVISION	DATE	ECN	NAME	CHKD
B-1	ALL	RELEASE TO PRODUCTION	1/18/16	PXEC0137	AEK	GES
C-1	2 ALL	CORRECTED SEPARATOR DRAIN LINES TO 1/4"				
	2 ALL	ADDED NOTE TO REMOVE SEPARATOR FLAT				
	1 ALL	CORRECTED VIEW POSITIONING	01/05/16	PXEC0167	MJD	GES
	1 ALL	ADDED OVERALL DIMENSIONS				
	1 ALL	ADDED OUTLINE FOR RECOMMENDED CLEARANCES				
	1 ALL	UPDATED INLET TREE				



NOTE: SYSTEM DESIGNED IN COMPLIANCE WITH US NFPA'99, LATEST EDITION.

SYMBOL LEGEND		ADDITIONAL CONTROL REQ'D		Drawings to conform to the current revision of the following ANSI standards:	
⊖	MINUS DRAFT	⊕	PLUS DRAFT	⊖	Y14.3 Multi and sectional view dgs
⊕	PLUS DRAFT	⊖	MINUS DRAFT	⊕	Y14.5M Dimensioning and tolerancing
TOLERANCES NOT SPECIFIED		AUTOCAD REL2014 LT		DO NOT SCALE DRAWING FOR DIMENSIONS	
.XX ±		INCH		Sheet 1 of 2	
.XXX ±				SCALE 1:14	
<C DEG.> ±					
CONFIDENTIAL DISCLOSURE					
This drawing is the property of POWEREX, Inc. of the SCOTT FEITZER COMPANY and subject to return on demand. Its contents are confidential and must not be copied or submitted to outside parties for use or examination.					
DRAWN BY		CHECKED BY		APPROVED BY	
AEK		GES		KMD DFG	
1/18/16		1/18/16		1/18/16 1/18/16	
MATERIAL		N/A			
PART NAME		TRIPLEX MED SCROLL EXPANDABLE		150 PRODUCTION DRIVE, HARRISON, OHIO 45030	
		10HP 240GAL BASEMOUNT		Ph: 888-769-7979 FAX: (513) 367-3125	
		DUPLX DESICCANT		SIZE	
				MST10B6-EX4	

REV	ZONE	REVISION	DATE	ECN	NAME	CHKD
B-1	ALL	RELEASE TO PRODUCTION	1/18/16	PXEC0137	AEK	GES
C-1	ALL	CORRECTED SEPARATOR DRAIN LINES TO 1/4"				
	ALL	ADDED NOTE TO REMOVE SEPARATOR FLOAT				
	ALL	CORRECTED VIEW POSITIONING				
	ALL	ADDED OVERALL DIMENSIONS	01/05/16	PXEC0167	MJD	GES
	ALL	ADDED OUTLINE FOR RECOMMENDED CLEARANCES				
	ALL	UPDATED INLET TREE				



LEGEND	
	RELIEF VALVE
	INTAKE FILTER
	AIR FILTER
	CARBON FILTER
	BALL VALVE
	PRESSURE SWITCH
	REGULATOR
	SEPARATOR
	CHECK VALVE
	FLEX LINE
	HIGH TEMP SWITCH
	UNION

NOTES:  
 1) WITHOUT EXPANSION: IF LAG 2 COMPRESSOR IS ENERGIZED, ALARM WILL OCCUR.  
 WITH EXPANSION: IF LAG 3 COMPRESSOR IS ENERGIZED, ALARM WILL OCCUR.  
 2) PIPING TO THE INLET BY OTHERS AND TO BE PER NFPA99 4-3.1.1.9(b)  
 3) INSTRUMENTS DOWN STREAM OF SOURCE VALVE TO BE SUPPLIED BY OTHERS.

SYMBOL LEGEND		DRAWINGS TO CONFORM TO THE CURRENT REVISION OF THE FOLLOWING ANSI STANDARDS:	
	= MINUS DRAFT		= ADDITIONAL CONTROL REQ'D
	= PLUS DRAFT		= BRINELL HARDNESS
TOLERANCES NOT SPECIFIED		DO NOT SCALE DRAWING FOR DIMENSIONS	
.XX ±	AUTOCAD	Sheet 2 of 2	
.XXX ±	REL2014 LT	SCALE 1:14	
<DEG. ±	INCH		
CONFIDENTIAL DISCLOSURE		DRAWN BY	
This drawing is the property of POWEREX, INC. of the SCOTT FETZER COMPANY and subject to return on demand. Its contents are confidential and must not be copied or submitted to outside parties for use or examination.		CHECKED BY	
		APPROVED BY	
		AEK	GES
		1/18/16	1/18/16
		1/18/16	1/18/16
MATERIAL		N/A	
PART NAME		N/A	
TRIPLEX MED SCROLL EXPANDABLE PACKAGE FLOW SCHEMATIC			
		150 PRODUCTION DRIVE, HARRISON, OHIO 45030	
		Ph: 888-769-7979 Fax: (513) 367-3129	
		DWG NO	SIZE
		MST10B6-EX4	D