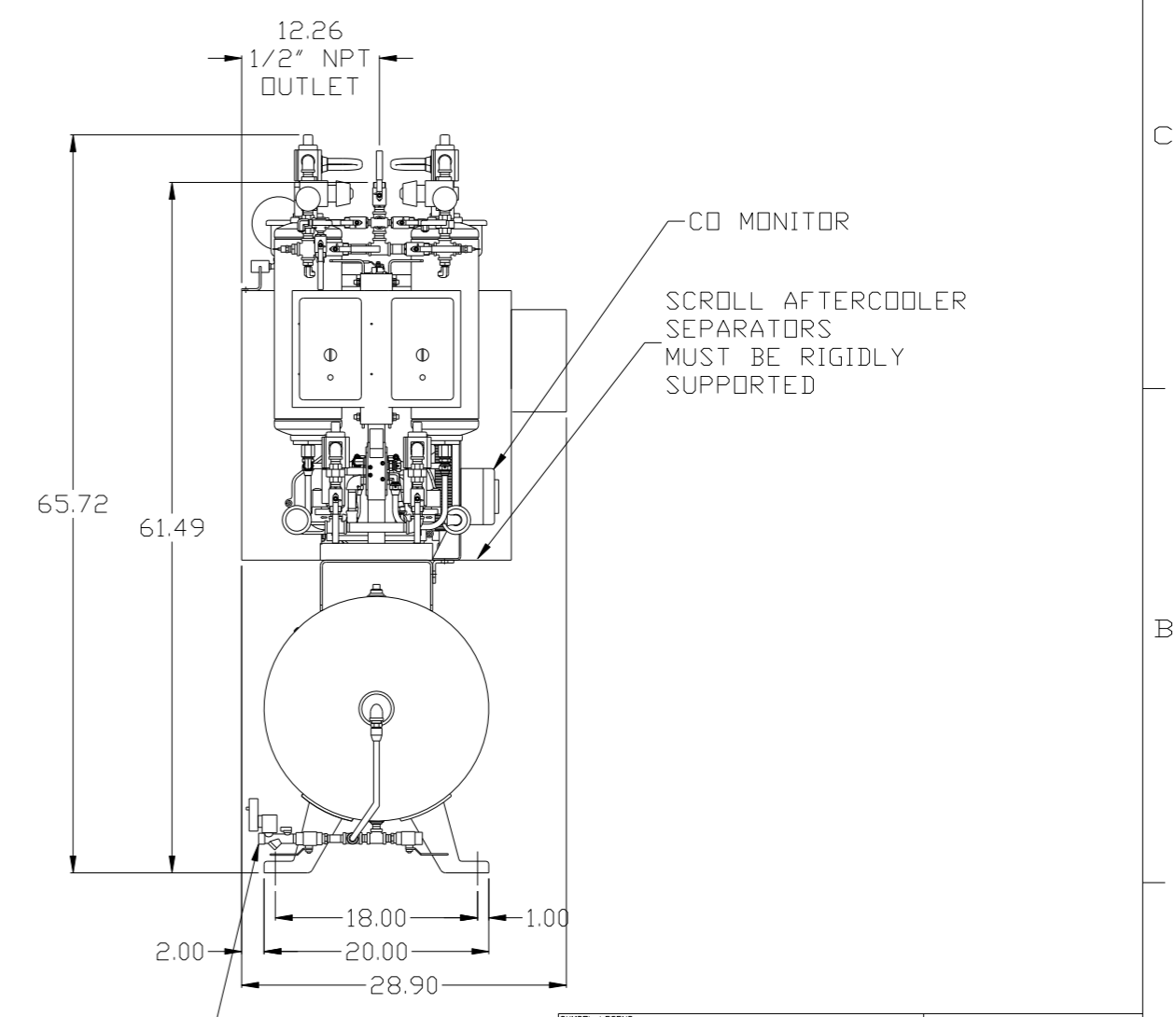
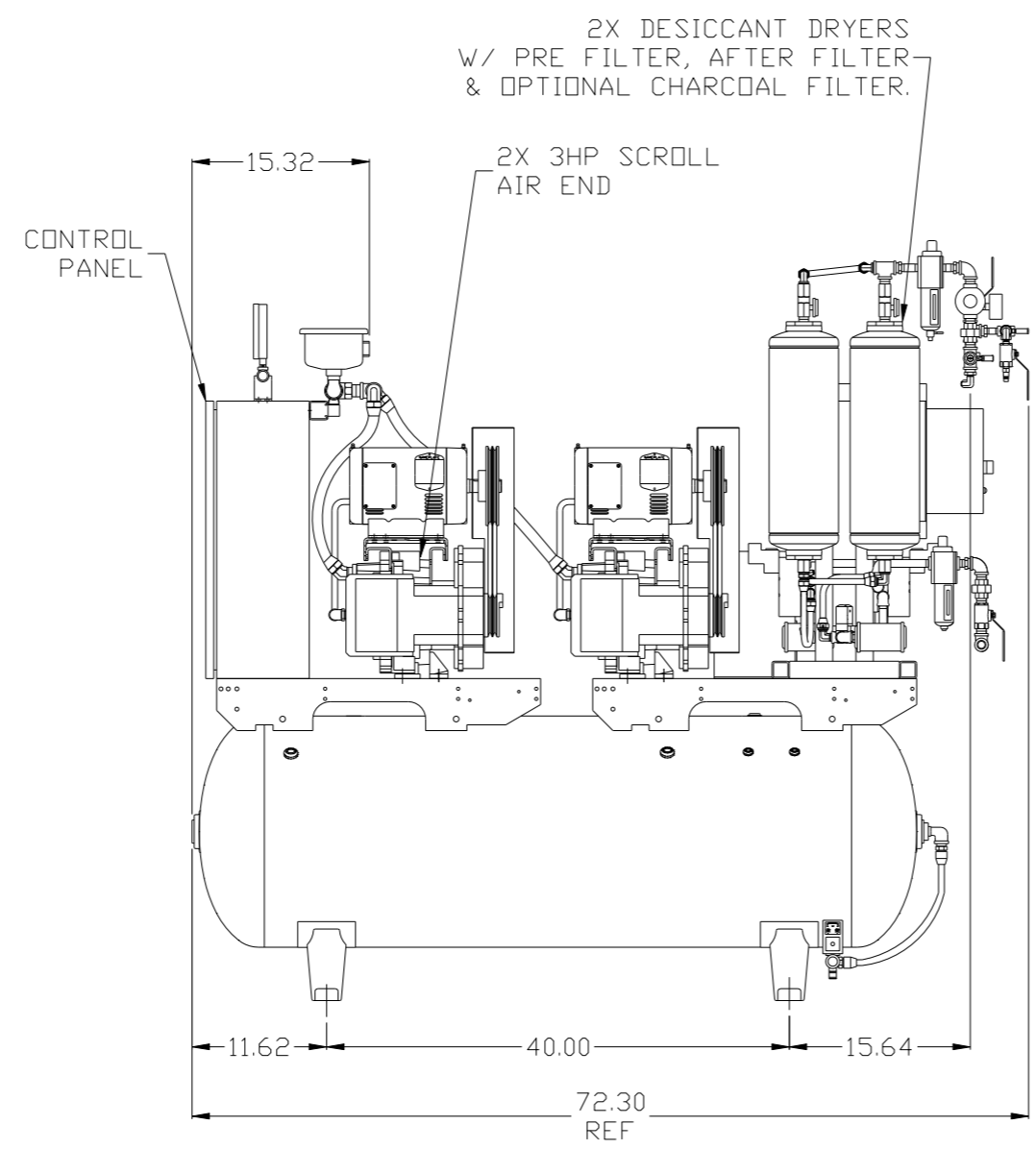
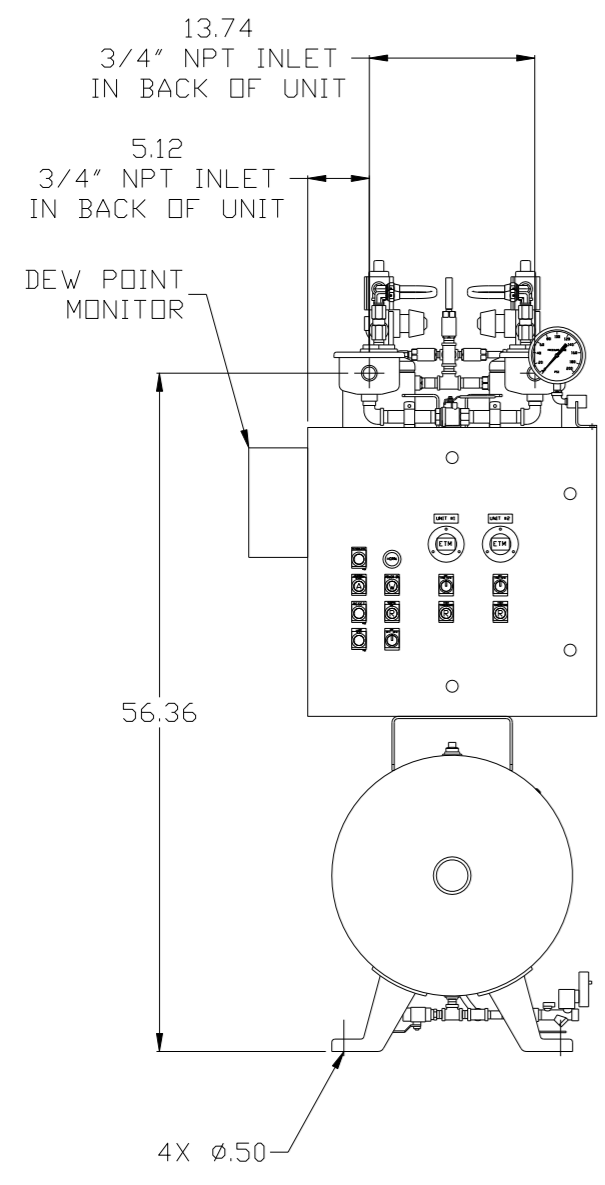
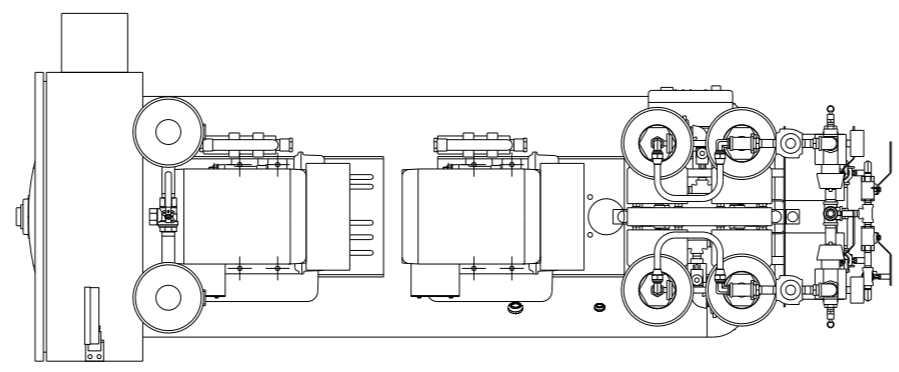


| REV | ZONE    | REVISION                                                       | DATE     | ECN      | NAME | CHKD |
|-----|---------|----------------------------------------------------------------|----------|----------|------|------|
| B-1 | ALL     | RELEASE TO PRODUCTION                                          | 08/15/06 | 21555    | RSN  | DMS  |
| C-1 | C-3     | ADDED MANUAL DRAIN                                             | 07/31/07 | 21669    | DMS  | GES  |
| C-2 | D6-B3   | REPLACED DIV VALVES WITH BALL VALVES<br>ADDED 140 & 75 PSI SRV | 12/07/07 | 21669    | DMS  | GES  |
| C-3 | D4-D5   | ADDED ISO VALVE & HANG TAG<br>ADDED TANK GAUGE                 | 07/02/08 | 21907    | DMS  | GES  |
| D-1 | ALL     | UPDATED DEW POINT MONITOR & ADDED SEPARATOR NOTE               | 6/16/09  | 22127    | AEK  | GES  |
| E-1 | ALL     | UPDATED TO POWEXEX DRYER                                       | 11/10/09 | 22120    | AEK  | GES  |
| E-2 | 1 ALL   | UPDATED DRYER TO CURRENT BUILD                                 | 11/24/09 | 22120    | AEK  | GES  |
| F-1 | ALL     | ADDED P&ID SHEETS                                              | 12/19/11 | 22609    | AEK  | GES  |
| G-1 | 1 ALL   | REMOVED DISCONNECT FROM PANEL FACE OF STANDARD PANEL           | 6/13/12  | 22752    | AEK  | GES  |
| H-1 | 2 ALL   | ADDED/UPDATED FLEX LINES                                       | 10/8/12  | PXEC0003 | AEK  | DMS  |
| H-2 | 1 ALL   | REMOVED CO MONITOR FROM THE CONTROL PANEL                      | 11/12/13 | PXEC0030 | AEK  | GES  |
| J-1 | 2 C4    | MOVED PRESSURE SENSING LOCATION                                | 5/21/14  | PXEC0071 | AEK  | GES  |
| K-1 | 2 BS,C5 | CHANGED FLEX LINES TO 3/4"                                     | 8/13/15  | PXEC0093 | AEK  | GES  |
| L-1 | ALL     | ADDED TOP VIEW                                                 | 10/22/15 | PXEC0093 | AEK  | GES  |



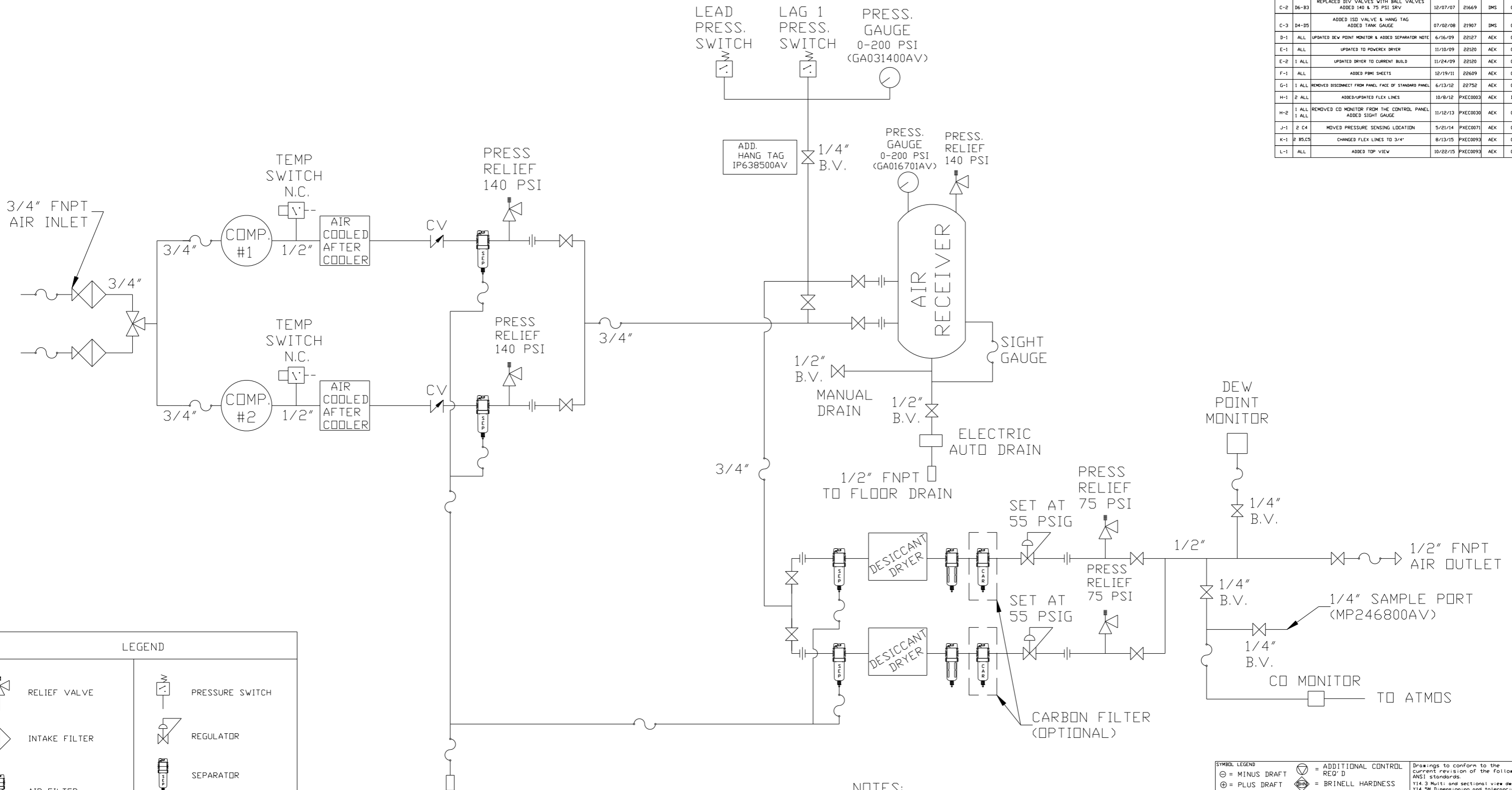
NOTE: SYSTEM DESIGNED IN COMPLIANCE WITH U.S. NFPA '99, LATEST EDITION.

NOTE: A MINIMUM OF 24" CLEARANCE IS RECOMMENDED AROUND THE ENTIRE UNIT.

NOTE: TANK PLUMBING NOT SHOWN FOR DRAWING CLARITY.

|                                                                                                                                                                                                                                                                |  |                                                                                                                                                            |  |
|----------------------------------------------------------------------------------------------------------------------------------------------------------------------------------------------------------------------------------------------------------------|--|------------------------------------------------------------------------------------------------------------------------------------------------------------|--|
| <b>SYMBOL LEGEND</b><br>⊖ = MINUS DRAFT<br>⊕ = PLUS DRAFT<br>○ = ADDITIONAL CONTROL REQ'D<br>◊ = BRINELL HARDNESS                                                                                                                                              |  | Drawings to conform to the current revision of the following ANSI standards:<br>Y14.3 Multi and sectional view dgs.<br>Y14.5M Dimensioning and tolerancing |  |
| TOLERANCES NOT SPECIFIED<br>.XX ±<br>.XXX ±<br><math>\angle</math>(DEG.) ±                                                                                                                                                                                     |  | <b>DO NOT SCALE DRAWING FOR DIMENSIONS</b><br>AUTOCAD REL2000:<br>INCH<br>Sheet 1 of 2<br>SCALE 1:8                                                        |  |
| <b>CONFIDENTIAL DISCLOSURE</b><br>This drawing is the property of the CAMPBELL GROUP OF THE SCOTT FETZER COMPANY and subject to return on demand. Its contents are confidential and must not be copied or submitted to outside parties for use or examination. |  | DRAWN BY: RSN<br>CHECKED BY: DMS<br>APPROVED BY: ENGINEERING MFG/MKTG<br>DATES: 05/31/06, 7/07/06, 7/07/06, 7/07/06                                        |  |
| MATERIAL: N/A                                                                                                                                                                                                                                                  |  | <b>POWEREX</b><br>150 PRODUCTION DRIVE, HARRISON, OHIO 45030<br>Ph: 888-769-7979 FAX: (513) 367-3125                                                       |  |
| PART NAME: DUPLEX OILLESS SCROLL 3HP, 80 GALLON WITH DRYER                                                                                                                                                                                                     |  | DWG NO: MTSD0303<br>SIZE: D                                                                                                                                |  |

| REV | ZONE    | REVISION                                                       | DATE     | ECN      | NAME | CHKD |
|-----|---------|----------------------------------------------------------------|----------|----------|------|------|
| B-1 | ALL     | RELEASE FOR PRODUCTION                                         | 07/19/06 | 21437    | RSN  | DMS  |
| C-1 | C-3     | ADDED MANUAL DRAIN                                             | 07/31/07 | 21669    | DMS  | GES  |
| C-2 | D6-B3   | REPLACED BIV VALVES WITH BALL VALVES<br>ADDED 140 & 75 PSI SRV | 12/07/07 | 21669    | DMS  | GES  |
| C-3 | D4-D5   | ADDED ISD VALVE & HANG TAG<br>ADDED TANK GAUGE                 | 07/02/08 | 21907    | DMS  | GES  |
| D-1 | ALL     | UPDATED DEW POINT MONITOR & ADDED SEPARATOR NOTE               | 6/16/09  | 22127    | AEK  | GES  |
| E-1 | ALL     | UPDATED TO POWEREX DRYER                                       | 11/10/09 | 22129    | AEK  | GES  |
| E-2 | 1 ALL   | UPDATED DRYER TO CURRENT BUILD                                 | 11/24/09 | 22120    | AEK  | GES  |
| F-1 | ALL     | ADDED P&ID SHEETS                                              | 12/19/11 | 22609    | AEK  | GES  |
| G-1 | 1 ALL   | REMOVED DISCONNECT FROM PANEL FACE OF STANDARD PANEL           | 6/13/12  | 22752    | AEK  | GES  |
| H-1 | 2 ALL   | ADDED/UPDATED FLEX LINES                                       | 10/8/12  | PXEC0003 | AEK  | DMS  |
| H-2 | 1 ALL   | REMOVED CO MONITOR FROM THE CONTROL PANEL<br>ADDED SIGHT GAUGE | 11/12/13 | PXEC0030 | AEK  | GES  |
| J-1 | 2 C4    | MOVED PRESSURE SENSING LOCATION                                | 5/21/14  | PXEC0071 | AEK  | GES  |
| K-1 | 2 B5,C5 | CHANGED FLEX LINES TO 3/4"                                     | 8/13/15  | PXEC0093 | AEK  | GES  |
| L-1 | ALL     | ADDED TOP VIEW                                                 | 10/22/15 | PXEC0093 | AEK  | GES  |

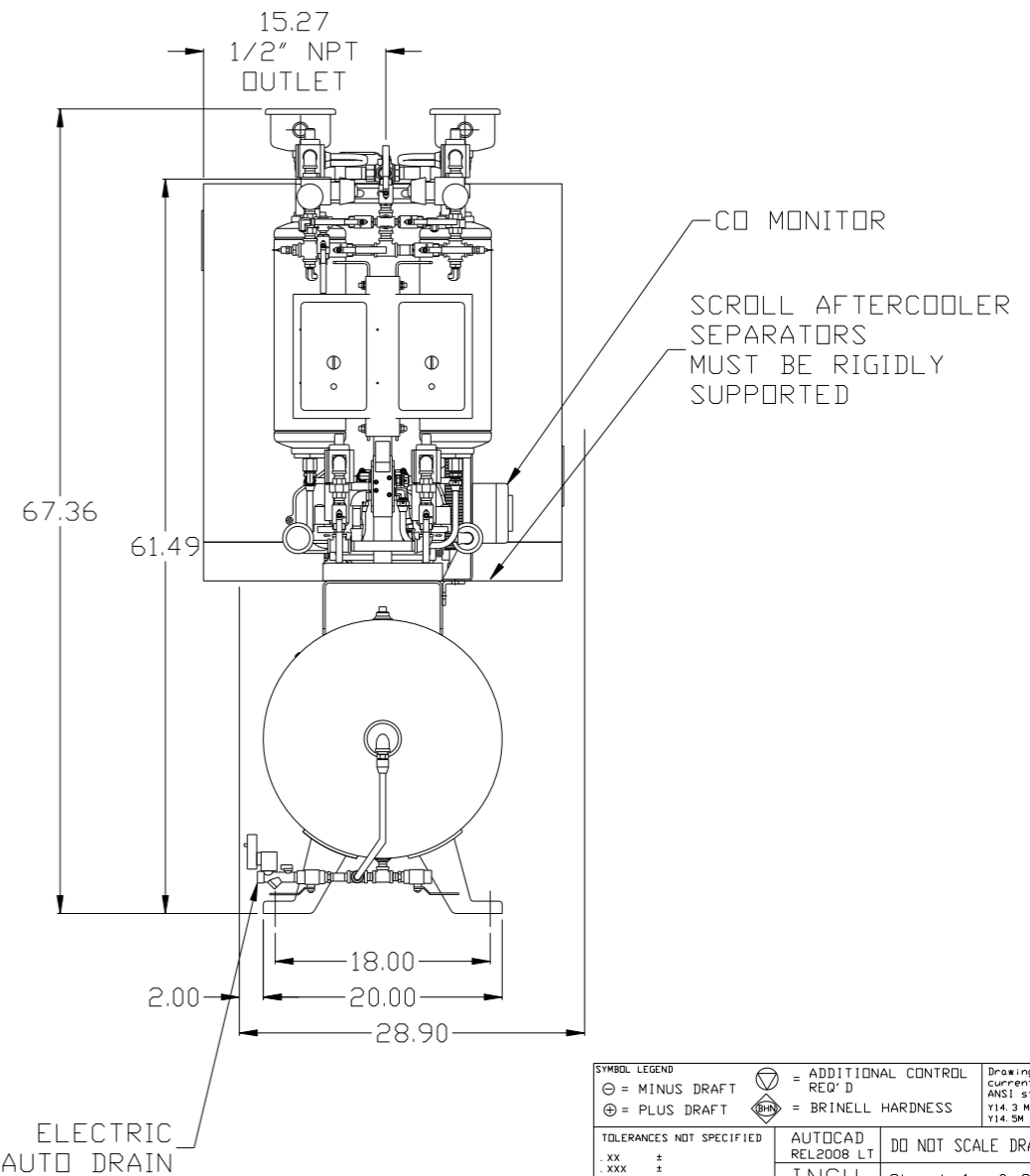
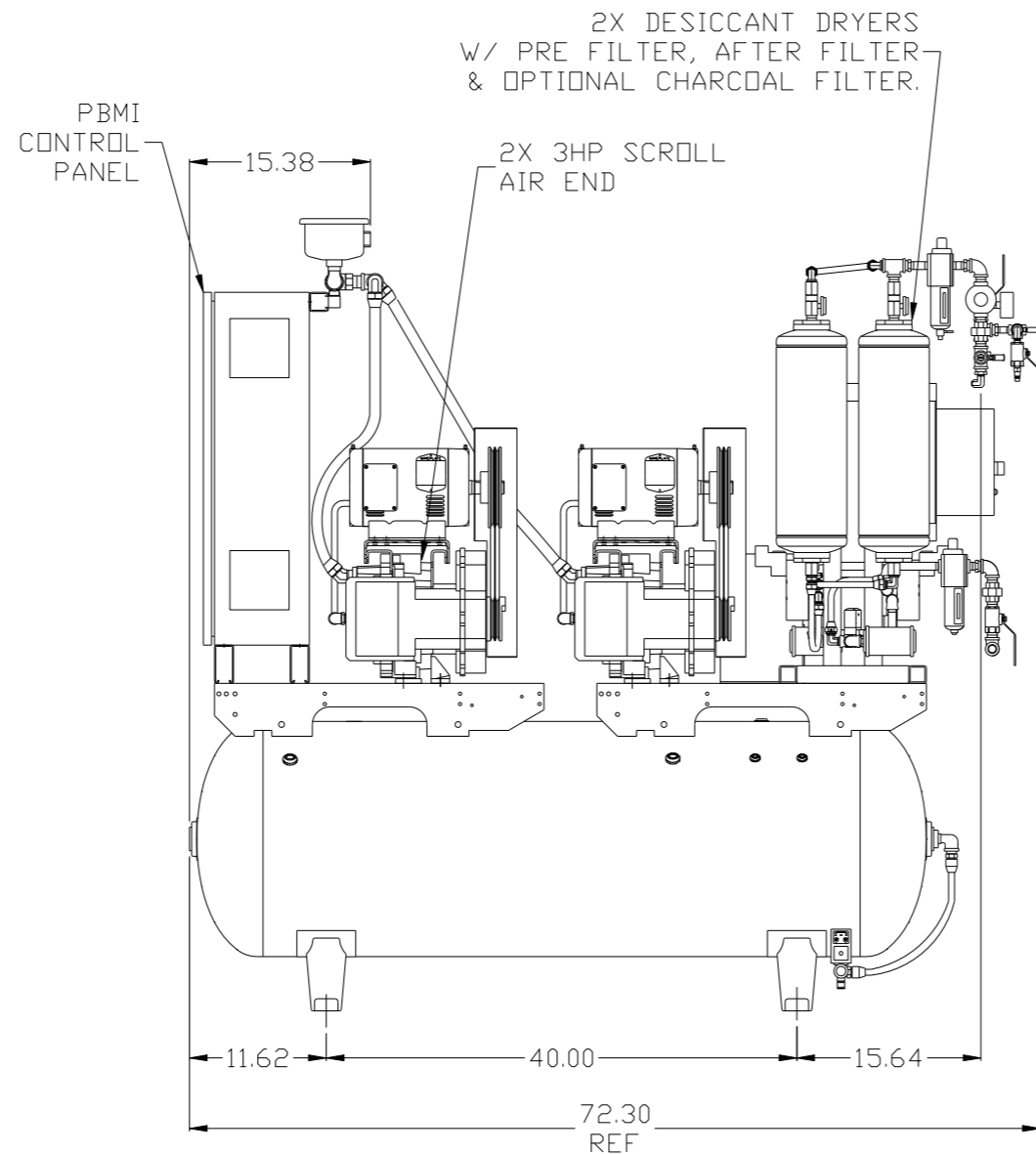
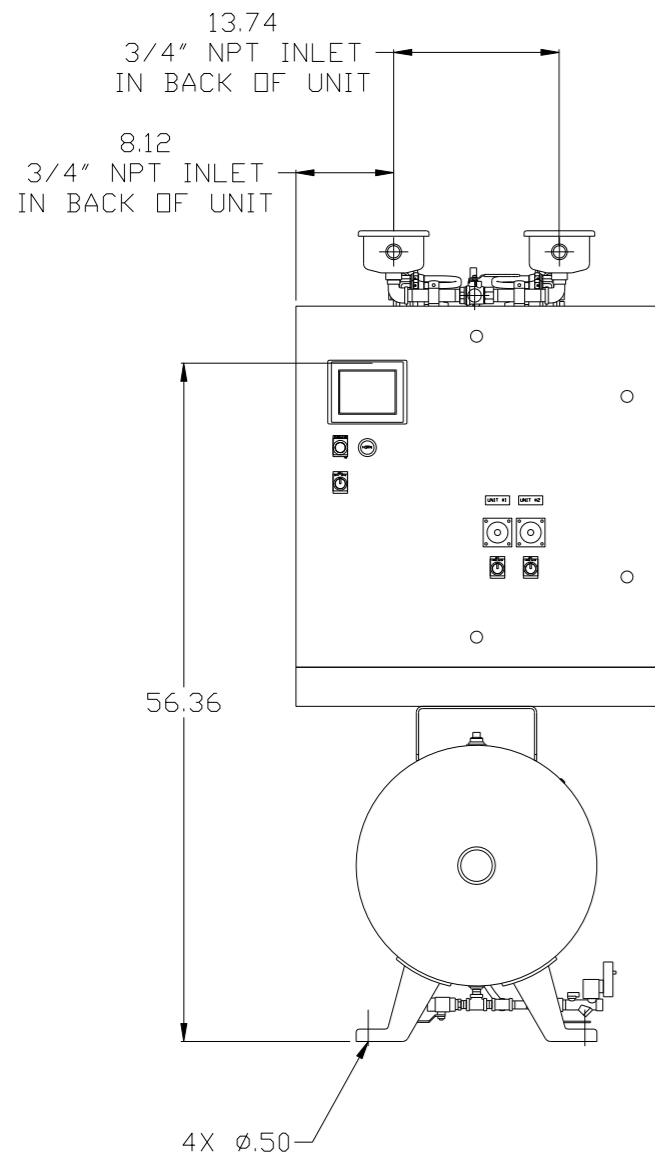
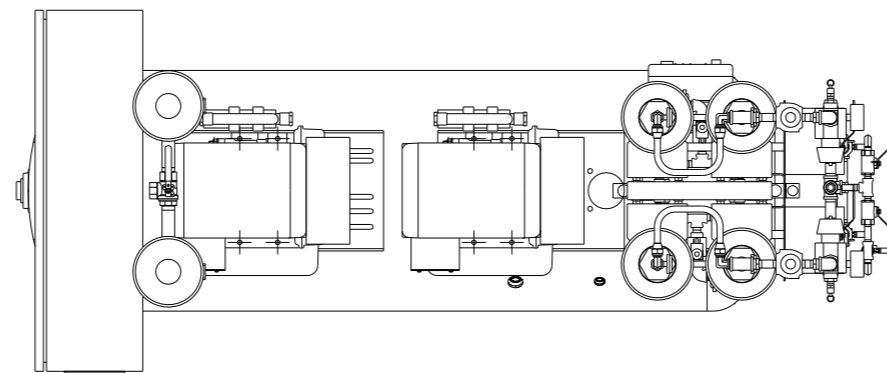


| LEGEND |                  |
|--------|------------------|
|        | RELIEF VALVE     |
|        | INTAKE FILTER    |
|        | AIR FILTER       |
|        | 3 WAY VALVE      |
|        | CARBON FILTER    |
|        | BALL VALVE       |
|        | PRESSURE SWITCH  |
|        | REGULATOR        |
|        | SEPARATOR        |
|        | CHECK VALVE      |
|        | FLEX LINE        |
|        | HIGH TEMP SWITCH |
|        | UNION            |

- NOTES:
- 1) IF LAG 1 COMPRESSOR IS ENERGIZED ALARM WILL OCCUR.
  - 2) PIPING TO THE INLET BY OTHERS AND TO BE PER NFPA99 4-3.1.1.9(b)
  - 3) INSTRUMENTS DOWN STREAM OF SOURCE VALVE TO BE SUPPLIED BY OTHERS.

|                                                                                                                                                                                                                                                         |                    |                                                                                    |                                                                             |             |
|---------------------------------------------------------------------------------------------------------------------------------------------------------------------------------------------------------------------------------------------------------|--------------------|------------------------------------------------------------------------------------|-----------------------------------------------------------------------------|-------------|
| SYMBOL LEGEND                                                                                                                                                                                                                                           |                    | = ADDITIONAL CONTROL REQ'D                                                         | Drawings to conform to the current revision of the following ANSI standards |             |
| = MINUS DRAFT                                                                                                                                                                                                                                           | = BRINELL HARDNESS | Y14.3 Multi and sectional view dsgs. Y14.5M Dimensioning and tolerancing           |                                                                             |             |
| TOLERANCES NOT SPECIFIED                                                                                                                                                                                                                                |                    | AUTOCAD 2000:                                                                      | DO NOT SCALE DRAWING FOR DIMENSIONS                                         |             |
| .XX ±                                                                                                                                                                                                                                                   | .XXX ±             | INCH                                                                               | Sheet 2 of 2                                                                | SCALE 1:8   |
| CONFIDENTIAL DISCLOSURE<br>This drawing is the property of the CAMPBELL GROUP OF THE SCOTT FETZER COMPANY and subject to return on demand. Its contents are confidential and must not be copied or submitted to outside parties for use or examination. |                    | DRAWN BY                                                                           | CHECKED BY                                                                  | APPROVED BY |
|                                                                                                                                                                                                                                                         |                    | RSN                                                                                | DMS                                                                         | DMS JJ      |
|                                                                                                                                                                                                                                                         |                    | 07/19/06                                                                           | 10/09/06                                                                    | 10/09/06    |
| MATERIAL N/A/                                                                                                                                                                                                                                           |                    |                                                                                    |                                                                             |             |
| PART NAME<br>DUPLEX SCROLL<br>FLOW SCHEMATIC                                                                                                                                                                                                            |                    | 150 PRODUCTION DRIVE, HARRISON, OHIO 45030<br>Ph: 888-769-7979 FAX: (513) 367-3125 |                                                                             |             |
|                                                                                                                                                                                                                                                         |                    | DWG NO<br>MTSD0303                                                                 | SIZE<br>D                                                                   |             |

| REV | ZONE    | REVISION                                             | DATE     | ECN      | NAME | CHKD |
|-----|---------|------------------------------------------------------|----------|----------|------|------|
| F-1 | ALL     | ADDED PBM1 SHEETS                                    | 12/19/11 | 22609    | AEK  | GES  |
| G-1 | 1 ALL   | REMOVED DISCONNECT FROM PANEL FACE OF STANDARD PANEL | 6/13/12  | 22752    | AEK  | GES  |
| H-1 | 2 ALL   | ADDED/UPDATED FLEX LINES                             | 10/8/12  | PXEC0003 | AEK  | DMS  |
| H-2 | 1 ALL   | REMOVED CO MONITOR FROM THE CONTROL PANEL            | 11/12/13 | PXEC0030 | AEK  | GES  |
|     | 1 ALL   | ADDED SIGHT GAUGE                                    |          |          |      |      |
| J-1 | 2 C4    | MOVED PRESSURE SENSING LOCATION                      | 5/21/14  | PXEC0071 | AEK  | GES  |
| K-1 | 2 B5,C5 | CHANGED FLEX LINES TO 3/4"                           | 8/13/15  | PXEC0093 | AEK  | GES  |
| L-1 | ALL     | ADDED TOP VIEW                                       | 10/22/15 | PXEC0093 | AEK  | GES  |



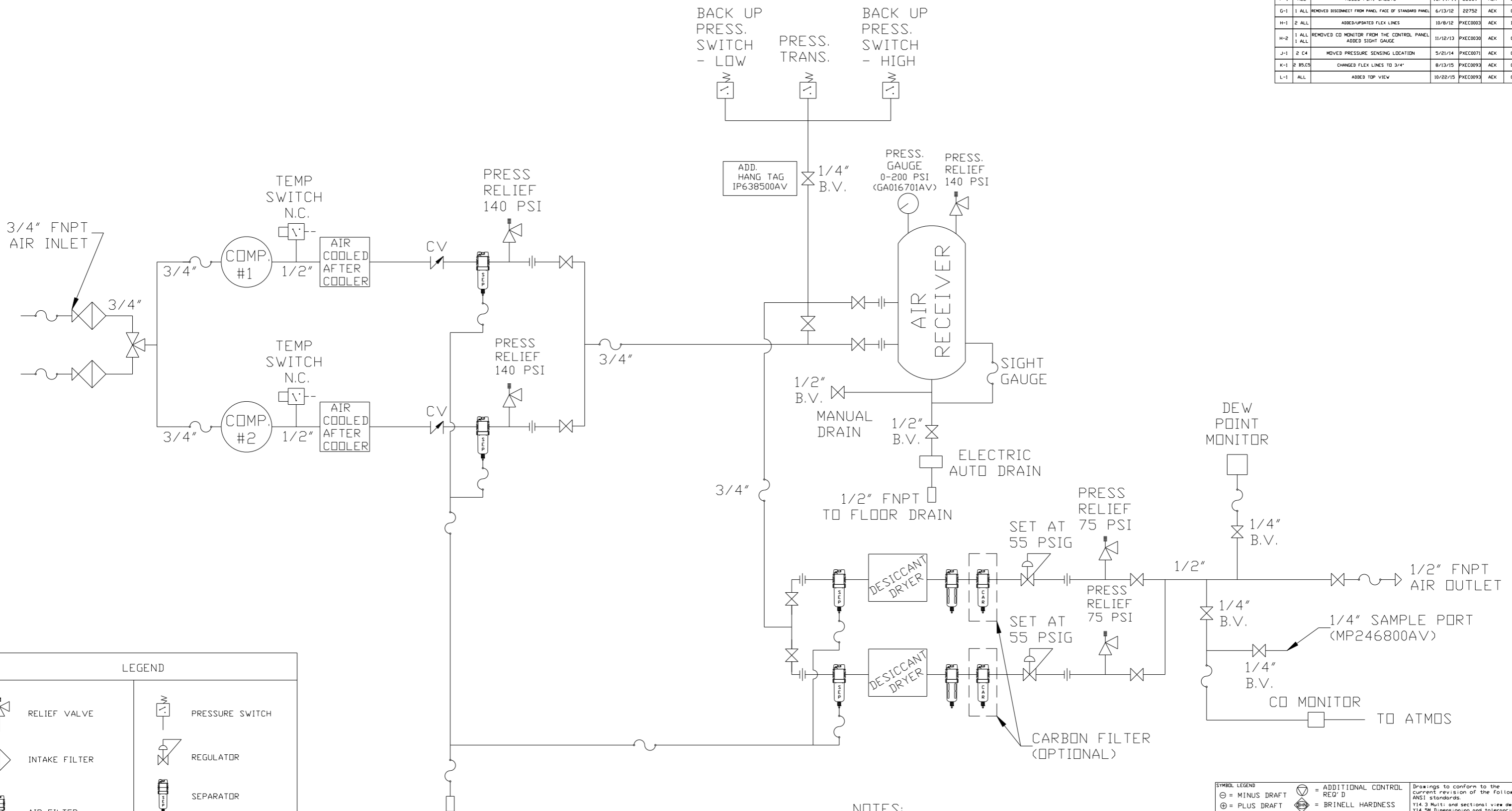
NOTE: SYSTEM DESIGNED IN COMPLIANCE WITH U.S. NFPA '99, LATEST EDITION.

NOTE: A MINIMUM OF 24" CLEARANCE IS RECOMMENDED AROUND THE ENTIRE UNIT.

NOTE: TANK PLUMBING NOT SHOWN FOR DRAWING CLARITY.

|                                                                                                                                                                                                                                                         |  |                                                                                                                                                            |  |
|---------------------------------------------------------------------------------------------------------------------------------------------------------------------------------------------------------------------------------------------------------|--|------------------------------------------------------------------------------------------------------------------------------------------------------------|--|
| <b>SYMBOL LEGEND</b><br>⊖ = MINUS DRAFT<br>⊕ = PLUS DRAFT<br>○ = ADDITIONAL CONTROL REQ'D<br>Ⓜ = BRINELL HARDNESS                                                                                                                                       |  | Drawings to conform to the current revision of the following ANSI standards:<br>Y14.3 Multi and sectional view dgs.<br>Y14.5M Dimensioning and tolerancing |  |
| TOLERANCES NOT SPECIFIED<br>.XX ±<br>.XXX ±<br><math>\angle</math> (DEG.) ±                                                                                                                                                                             |  | DO NOT SCALE DRAWING FOR DIMENSIONS<br>Sheet 1 of 2<br>SCALE 1:8                                                                                           |  |
| CONFIDENTIAL DISCLOSURE<br>This drawing is the property of the CAMPBELL GROUP OF THE SCOTT FETZER COMPANY and subject to return on demand. Its contents are confidential and must not be copied or submitted to outside parties for use or examination. |  | DRAWN BY: AEK<br>CHECKED BY: GES<br>APPROVED BY: DMS, RJR<br>12/19/11 12/19/11 12/19/11 12/19/11                                                           |  |
| MATERIAL: N/A                                                                                                                                                                                                                                           |  | <b>POWEREX</b><br>150 PRODUCTION DRIVE, HARRISON, OHIO 45030<br>Ph: 888-769-7979 FAX: (513) 367-3125                                                       |  |
| PART NAME: DUPLEX OILLESS SCROLL 3HP, 80 GALLON WITH DRYER                                                                                                                                                                                              |  | DWG NO: MTSD0303<br>SIZE: D                                                                                                                                |  |

| REV | ZONE    | REVISION                                                       | DATE     | ECN      | NAME | CHKD |
|-----|---------|----------------------------------------------------------------|----------|----------|------|------|
| F-1 | ALL     | ADDED P&ID SHEETS                                              | 12/19/11 | 22609    | AEK  | GES  |
| G-1 | 1 ALL   | REMOVED DISCONNECT FROM PANEL FACE OF STANDARD PANEL           | 6/13/12  | 22752    | AEK  | GES  |
| H-1 | 2 ALL   | ADDED/UPDATED FLEX LINES                                       | 10/8/12  | PXEC0003 | AEK  | DMS  |
| H-2 | 1 ALL   | REMOVED CO MONITOR FROM THE CONTROL PANEL<br>ADDED SIGHT GAUGE | 11/12/13 | PXEC0030 | AEK  | GES  |
| J-1 | 2 C4    | MOVED PRESSURE SENSING LOCATION                                | 5/21/14  | PXEC0071 | AEK  | GES  |
| K-1 | 2 B5,C5 | CHANGED FLEX LINES TO 3/4"                                     | 8/13/15  | PXEC0093 | AEK  | GES  |
| L-1 | ALL     | ADDED TOP VIEW                                                 | 10/22/15 | PXEC0093 | AEK  | GES  |



| LEGEND |                  |
|--------|------------------|
|        | RELIEF VALVE     |
|        | INTAKE FILTER    |
|        | AIR FILTER       |
|        | 3 WAY VALVE      |
|        | CARBON FILTER    |
|        | BALL VALVE       |
|        | PRESSURE SWITCH  |
|        | REGULATOR        |
|        | SEPARATOR        |
|        | CHECK VALVE      |
|        | FLEX LINE        |
|        | HIGH TEMP SWITCH |
|        | UNION            |

- NOTES:
- 1) IF LAG 1 COMPRESSOR IS ENERGIZED ALARM WILL OCCUR.
  - 2) PIPING TO THE INLET BY OTHERS AND TO BE PER NFPA99 4-3.1.1.9(b)
  - 3) INSTRUMENTS DOWN STREAM OF SOURCE VALVE TO BE SUPPLIED BY OTHERS.

|                                                                                                                                                                                                                                                         |  |                            |  |                                                                                    |  |
|---------------------------------------------------------------------------------------------------------------------------------------------------------------------------------------------------------------------------------------------------------|--|----------------------------|--|------------------------------------------------------------------------------------|--|
| SYMBOL LEGEND                                                                                                                                                                                                                                           |  | = ADDITIONAL CONTROL REQ'D |  | Drawings to conform to the current revision of the following ANSI standards        |  |
| = MINUS DRAFT                                                                                                                                                                                                                                           |  | = BRINELL HARDNESS         |  | Y14.3 Multi and sectional view dsgs. Y14.5M Dimensioning and tolerancing           |  |
| TOLERANCES NOT SPECIFIED                                                                                                                                                                                                                                |  | AUTOCAD REL2008 LT         |  | DO NOT SCALE DRAWING FOR DIMENSIONS                                                |  |
| .XX ±                                                                                                                                                                                                                                                   |  | INCH                       |  | Sheet 2 of 2                                                                       |  |
| .XXX ±                                                                                                                                                                                                                                                  |  |                            |  | SCALE 1:8                                                                          |  |
| <DEG> ±                                                                                                                                                                                                                                                 |  |                            |  |                                                                                    |  |
| CONFIDENTIAL DISCLOSURE<br>This drawing is the property of the CAMPBELL GROUP OF THE SCOTT FETZER COMPANY and subject to return on demand. Its contents are confidential and must not be copied or submitted to outside parties for use or examination. |  |                            |  |                                                                                    |  |
| DRAWN BY                                                                                                                                                                                                                                                |  | CHECKED BY                 |  | APPROVED BY                                                                        |  |
| AEK                                                                                                                                                                                                                                                     |  | GES                        |  | DMS RJR                                                                            |  |
| 12/19/11                                                                                                                                                                                                                                                |  | 12/19/11                   |  | 12/19/11                                                                           |  |
| MATERIAL                                                                                                                                                                                                                                                |  | N/A                        |  | POWEREX                                                                            |  |
| PART NAME                                                                                                                                                                                                                                               |  | DUPLX SCROLL               |  | 150 PRODUCTION DRIVE, HARRISON, OHIO 45030<br>Ph: 888-769-7979 FAX: (513) 367-3125 |  |
| FLOW SCHEMATIC                                                                                                                                                                                                                                          |  | MTSD0303                   |  | SIZE D                                                                             |  |