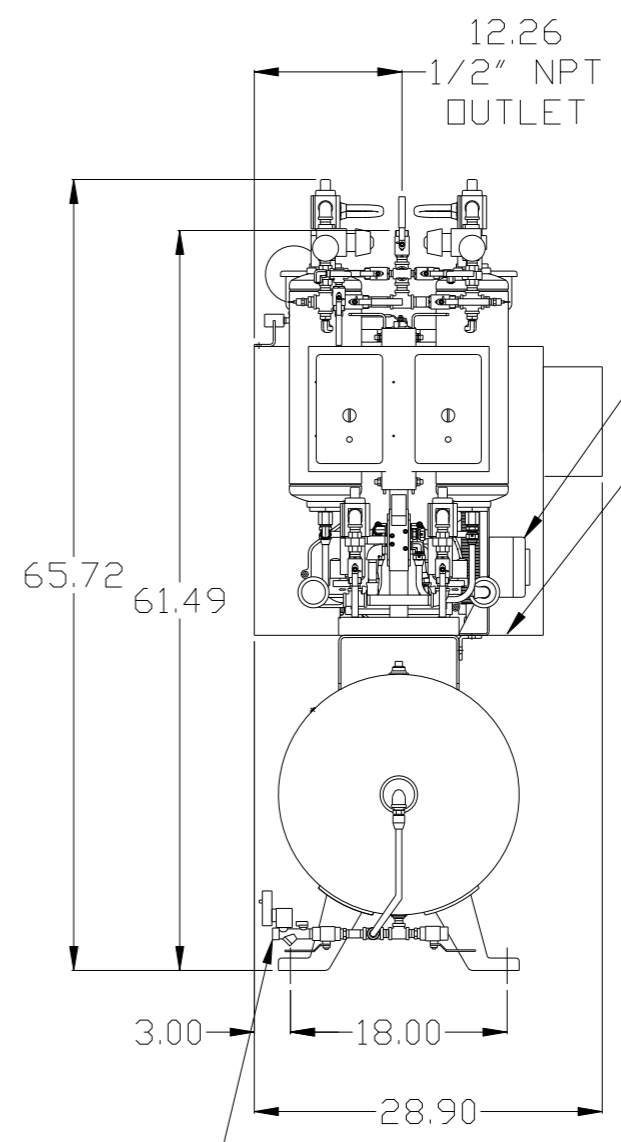
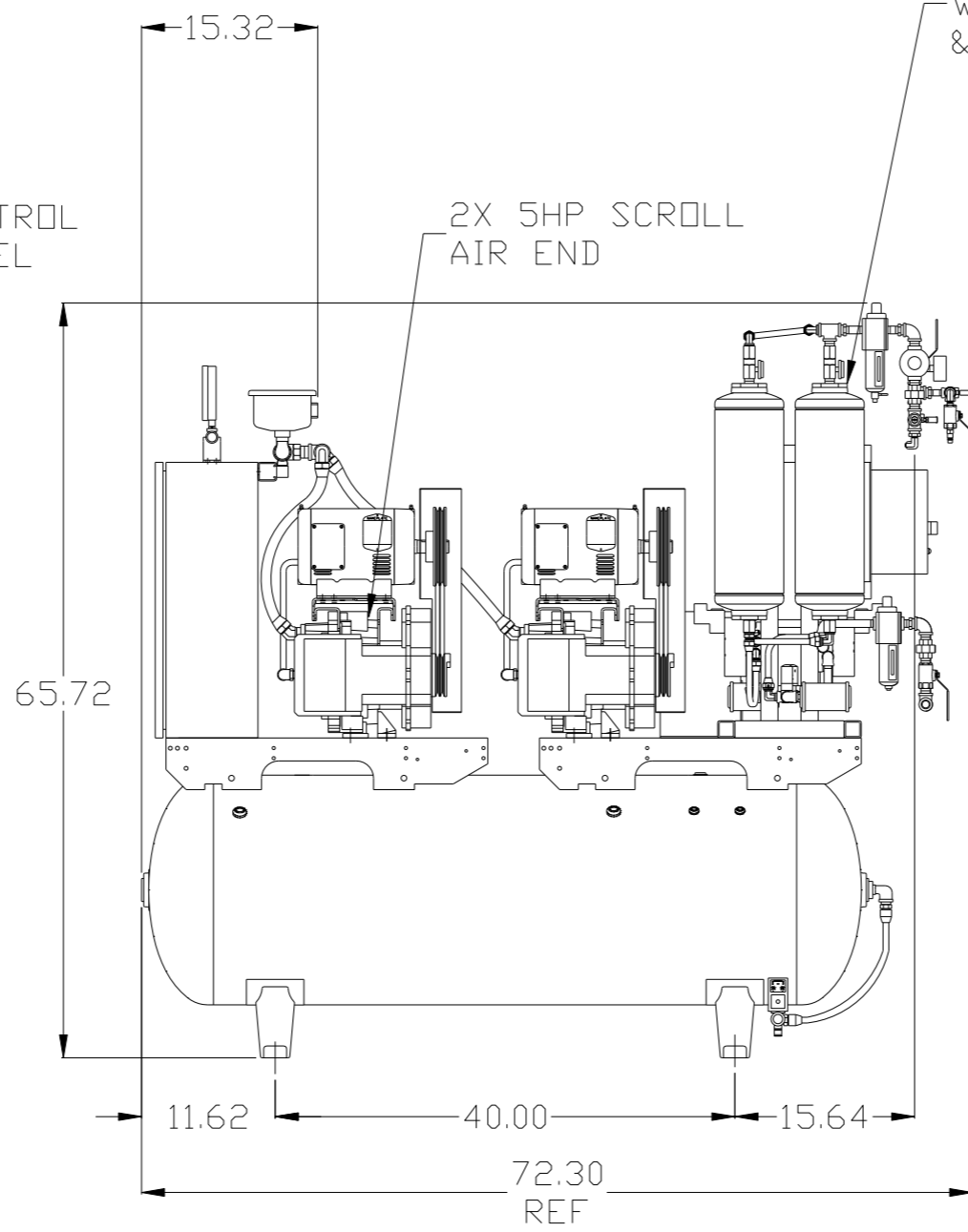
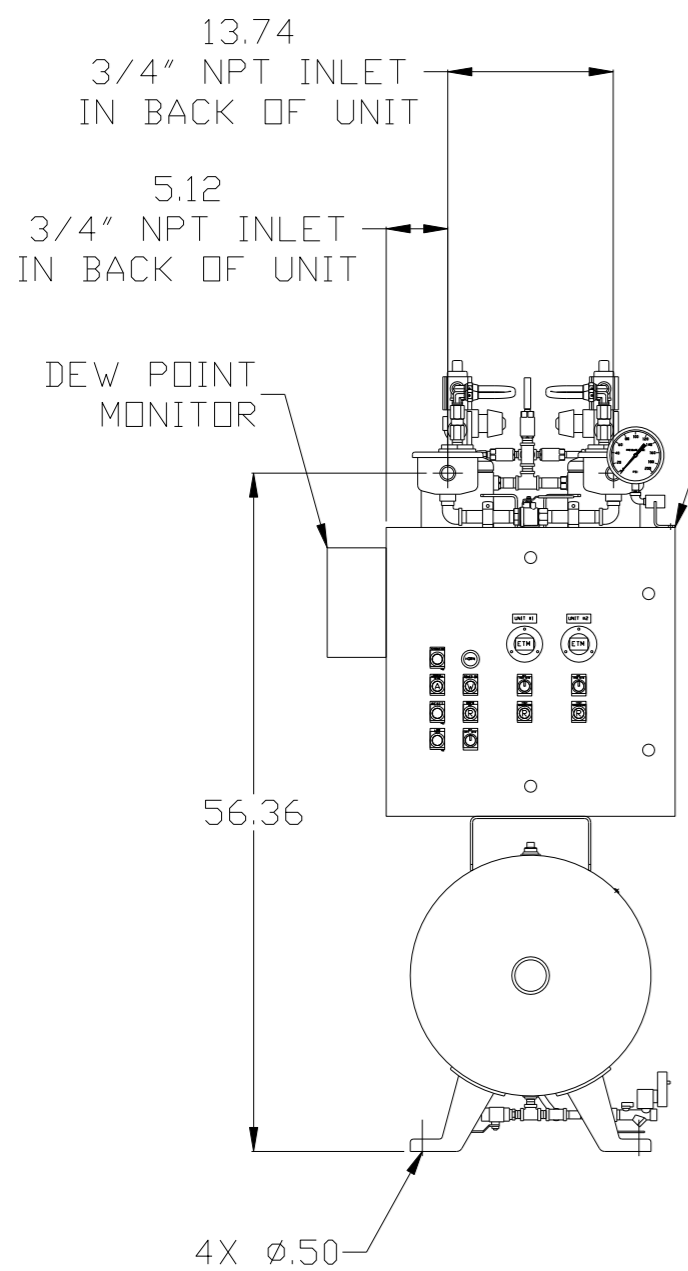


REV	ZONE	REVISION	DATE	ECN	NAME	CHKD
B-1	ALL	RELEASE TO PRODUCTION	01/06/07	21668	RSN	DMS
C-1	2 C-3	ADDED MANUAL DRAIN	08/02/07	21669	DMS	GES
D-1	2 B3.C4	REMOVED DIV VALVES ADDED BY. SRV 140PSI & 70PSI	01/02/08	21907	DMS	GES
DR	1 ALL 2 B4.D5 1 B5.D6	ADDED CO MONITOR AND DEW POINT MONITOR ADDED HANGTAG, PS ISO VALVE, AND TANK GAUGE MOVED FRONT PUMP TOWARDS PANEL	2/13/08	21907	AEK	GES
E-1	ALL	CORRECTED PANEL MONITORS, AND INLET LOCATION	2/10/09	22127	AEK	GES
F-1	ALL	UPDATED DEW POINT MONITOR & ADDED SEPARATOR NOTE	6/16/09	22127	AEK	GES
G-1	ALL	UPDATED TO POWEX DRYER	11/10/09	22120	AEK	GES
G-2	1 ALL	UPDATED DRYER TO CURRENT BUILD	11/24/09	22120	AEK	GES
H-1	ALL	ADDED PBM SHEETS	12/19/11	22609	AEK	GES
J-1	2 ALL	ADDED/UPDATED FLEX LINES	1/11/13	PXEC0009	AEK	DMS
K-1	ALL	ADDED SHEET 3	2/27/13	PXEC0030	AEK	GES
K-2	1,3 ALL 1,3 ALL	REMOVED CO MONITOR FROM THE CONTROL PANEL ADDED SIGHT GAUGE	11/7/13	PXEC0030	AEK	GES
L-1	2 B5.C5	CHANGED FLEX LINES TO 3/4"	8/13/15	PXEC0093	AEK	GES



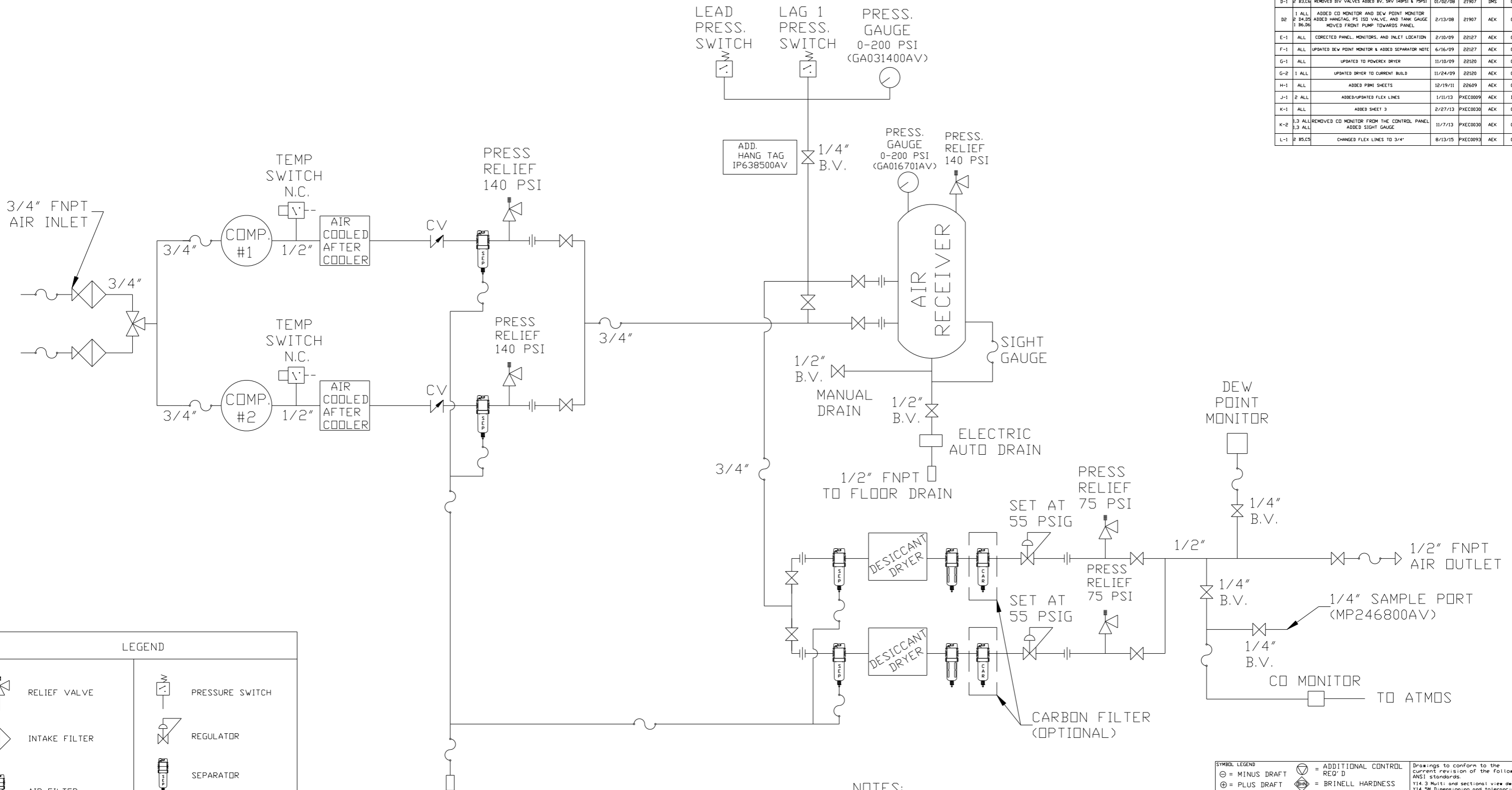
NOTE: SYSTEM DESIGNED IN COMPLIANCE WITH U.S. NFPA '99, LATEST EDITION.

NOTE: A MINIMUM OF 24" CLEARANCE IS RECOMMENDED AROUND THE ENTIRE UNIT.

NOTE: TANK PLUMBING NOT SHOWN FOR DRAWING CLARITY.

<b>SYMBOL LEGEND</b> $\ominus$ = MINUS DRAFT $\oplus$ = PLUS DRAFT TOLERANCES NOT SPECIFIED: .XX ± .XXX ± <math>\angle</math> (DEG.) ±		$\nabla$ = ADDITIONAL CONTROL REQ'D $\text{HRC}$ = BRINELL HARDNESS		Drawings to conform to the current revision of the following ANSI standards: Y14.3 Multi and sectional view dgs. Y14.5M Dimensioning and tolerancing
AUTOCAD REL2000: INCH		DO NOT SCALE DRAWING FOR DIMENSIONS Sheet 1 of 3 SCALE 1:8		
<b>CONFIDENTIAL DISCLOSURE</b> This drawing is the property of POWEX, INC. of the SCOTT FETZER COMPANY and subject to return on demand. Its contents are confidential and must not be copied or submitted to outside parties for use or examination.		DRAWN BY RSN	CHECKED BY DMS	APPROVED BY ENGINEERING MFG/MKTG DMS JJ
MATERIAL N/A		06/02/06 01/06/07 01/06/07 01/06/07		
PART NAME SHP. MEDICAL TANKMOUNT VERTICAL SCROLL DUPLEX 80 GAL		 150 PRODUCTION DRIVE, HARRISON, OHIO 45030 Ph 888-769-7979 FAX (513) 367-3125		
DWG NO MTSD0503		SIZE D		

REV	ZONE	REVISION	DATE	ECN	NAME	CHKD
B-1	ALL	RELEASE TO PRODUCTION	01/06/07	21668	RSN	DMS
C-1	2 C-3	ADDED MANUAL DRAIN	08/02/07	21669	DMS	GES
D-1	2 B3.C4	REMOVED DIV VALVES ADDED BY SRV 140PSI & 75PSI	01/02/08	21907	DMS	GES
DR	1 ALL 2 B4.D5 3 B5.D6	ADDED CO MONITOR AND DEW POINT MONITOR ADDED HANGTAG, PS ISO VALVE, AND TANK GAUGE MOVED FRONT PUMP TOWARDS PANEL	2/13/08	21907	AEK	GES
E-1	ALL	CORRECTED PANEL MONITORS, AND INLET LOCATION	2/10/09	22127	AEK	GES
F-1	ALL	UPDATED DEW POINT MONITOR & ADDED SEPARATOR NOTE	6/16/09	22127	AEK	GES
G-1	ALL	UPDATED TO POWEREX DRYER	11/10/09	22120	AEK	GES
G-2	1 ALL	UPDATED DRYER TO CURRENT BUILD	11/24/09	22120	AEK	GES
H-1	ALL	ADDED PBM SHEETS	12/19/11	22609	AEK	GES
J-1	2 ALL	ADDED/UPDATED FLEX LINES	1/11/13	PXEC0009	AEK	DMS
K-1	ALL	ADDED SHEET 3	2/27/13	PXEC0030	AEK	GES
K-2	1,3 ALL 2,3 ALL	REMOVED CO MONITOR FROM THE CONTROL PANEL ADDED SIGHT GAUGE	11/7/13	PXEC0030	AEK	GES
L-1	2 B5.C5	CHANGED FLEX LINES TO 3/4"	8/13/15	PXEC0093	AEK	GES



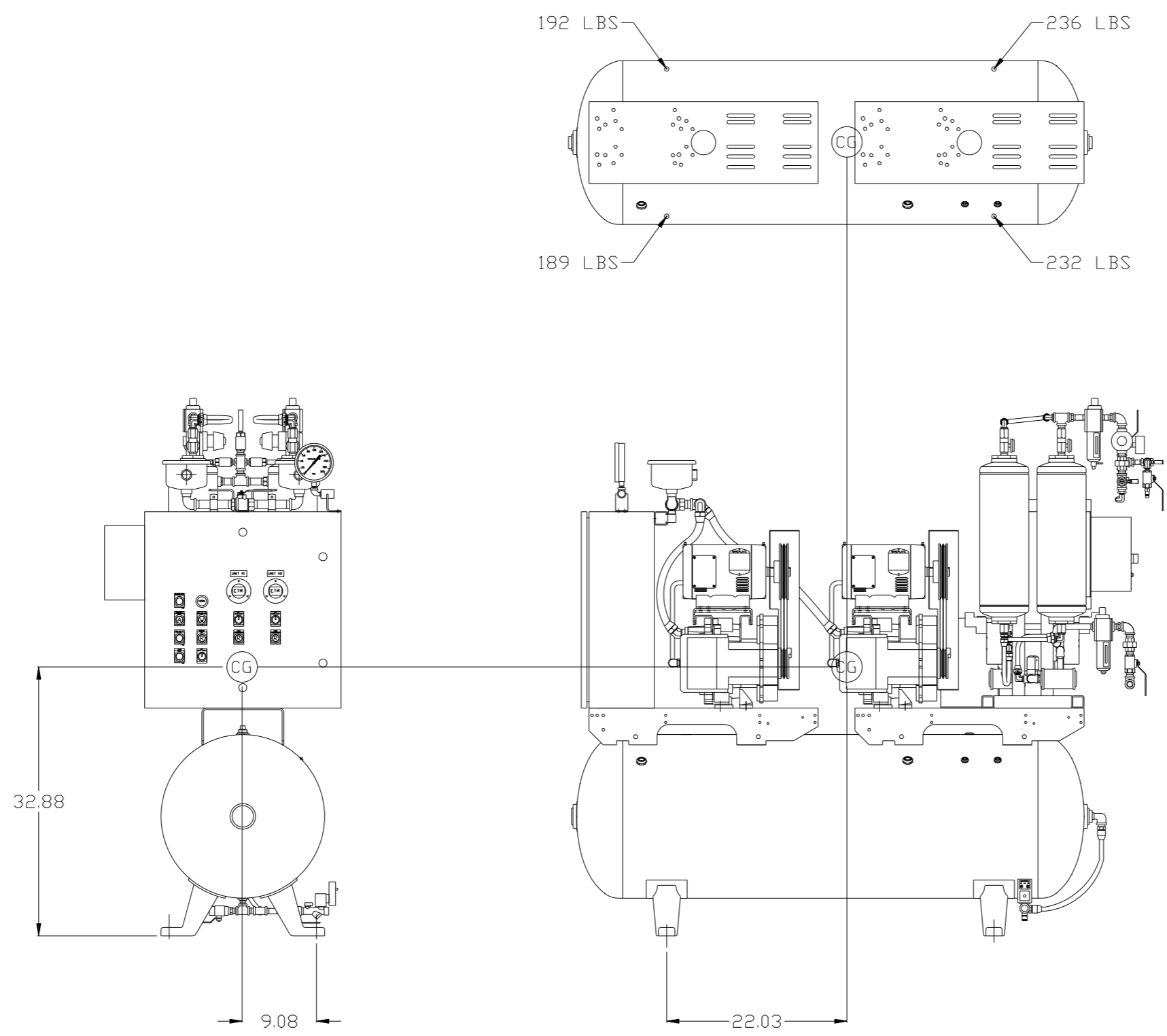
LEGEND	
	RELIEF VALVE
	INTAKE FILTER
	AIR FILTER
	3 WAY VALVE
	CARBON FILTER
	BALL VALVE
	PRESSURE SWITCH
	REGULATOR
	SEPARATOR
	CHECK VALVE
	FLEX LINE
	HIGH TEMP SWITCH
	UNION

- NOTES:
- 1) IF LAG 1 COMPRESSOR IS ENERGIZED ALARM WILL OCCUR.
  - 2) PIPING TO THE INLET BY OTHERS AND TO BE PER NFPA99 4-3.1.1.9(b)
  - 3) INSTRUMENTS DOWN STREAM OF SOURCE VALVE TO BE SUPPLIED BY OTHERS.

SYMBOL LEGEND		= ADDITIONAL CONTROL REQ'D	Drawings to conform to the current revision of the following ANSI standards
= MINUS DRAFT	= PLUS DRAFT	= BRINELL HARDNESS	Y14.3 Multi and sectional view dsgs. Y14.5M Dimensioning and tolerancing
TOLERANCES NOT SPECIFIED	AUTOCAD REL2000:	DO NOT SCALE DRAWING FOR DIMENSIONS	
.XX ±	INCH	Sheet 2 of 3	SCALE 1:8
CONFIDENTIAL DISCLOSURE This drawing is the property of POWEREX, INC. OF THE SCOTT FETZER COMPANY and subject to return on demand. Its contents are confidential and must not be copied or submitted to outside parties for use or examination.			
DRAWN BY	CHECKED BY	APPROVED BY	DATE
RSN	DMS	DMS	JJ
01/06/07	01/06/07	01/06/07	01/06/07
MATERIAL N/A		PART NAME	
5HP. MED. PACKAGE FLOW SCHEMATIC		DWG NO. MTSD0503	
SIZE D		MTSD0503.dwg	

8 7 6 5 4 3 2 1

REV	ZONE	REVISION	DATE	ECN	NAME	CHKD
K-1	ALL	ADDED SHEET 3	2/27/13	PXEC0030	AEK	GES
K-2	1,3 ALL	REMOVED CD MONITOR FROM THE CONTRL PANEL ADDED SIGHT GAUGE	11/7/13	PXEC0030	AEK	GES
L-1	2 BS.CS	CHANGED FLEX LINES TO 3/4"	8/13/15	PXEC0093	AEK	GES



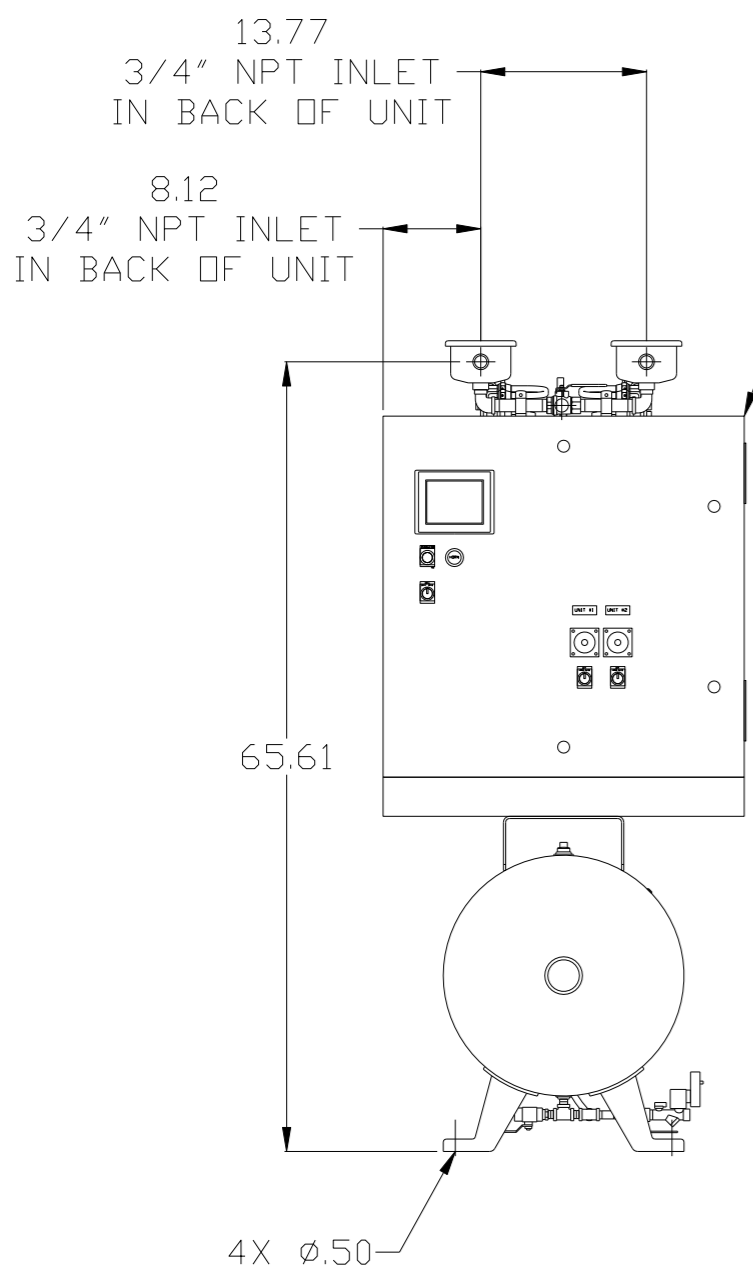
VACUUM SYSTEM:  
 TOTAL WEIGHT: 849 LBS  
 C.O.G. DIMENSIONS  
 X (FRONT): -9.08"  
 Y (RIGHT): 22.03"  
 Z (HEIGHT): 32.88"

denotes center of gravity (CG)

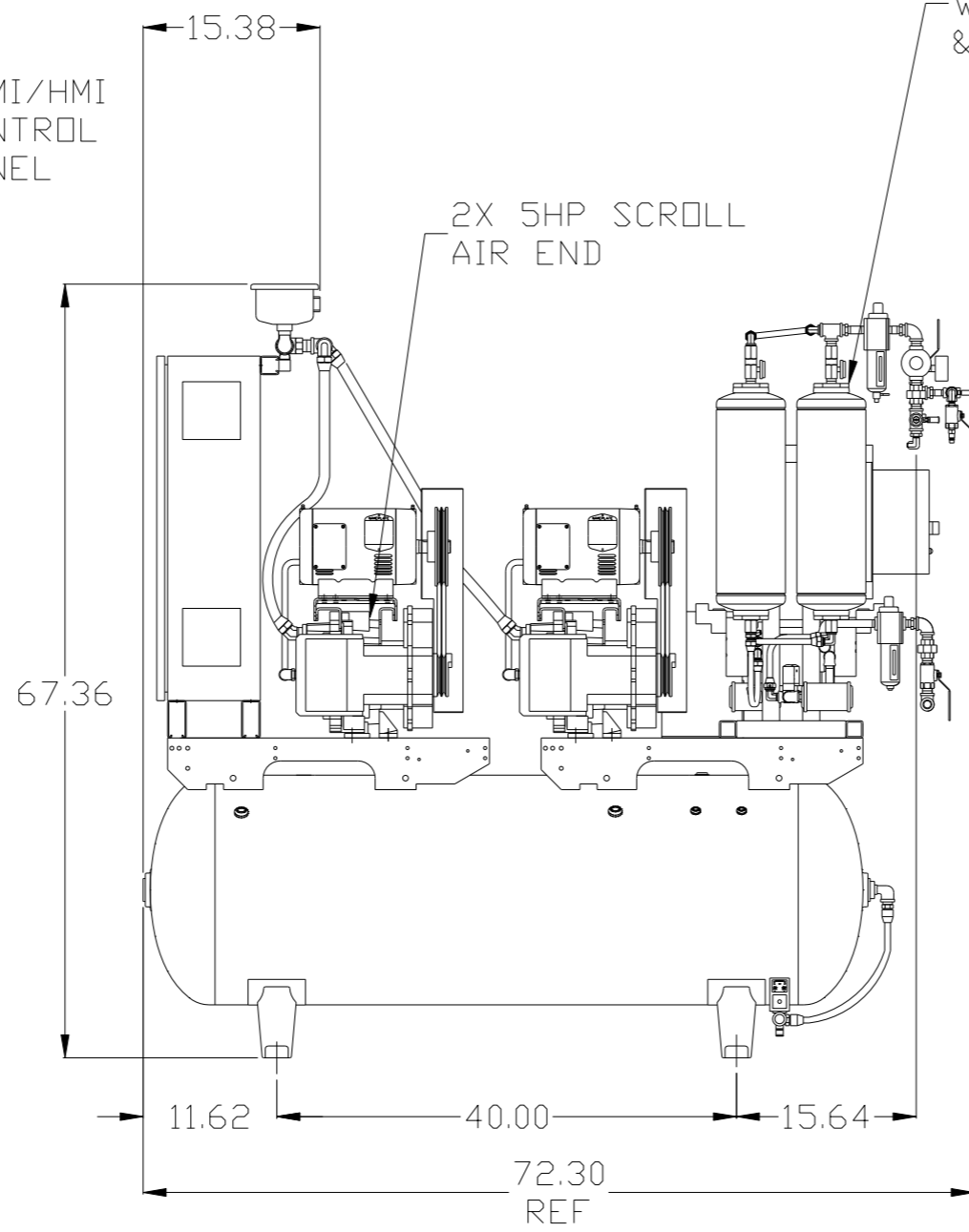
<b>SYMBOL LEGEND</b> ⊖ = MINUS DRAFT ⊕ = PLUS DRAFT ⊕ = ADDITIONAL CONTROL REQ'D HRC = BRINELL HARDNESS		Drawings to conform to the current revision of the following ANSI standards: Y14.3 Multi and sectional view dgs. Y14.5M Dimensioning and tolerancing	
TOLERANCES NOT SPECIFIED .XX ± .XXX ± <<DEG> ±		AUTOCAD REL2008 <b>INCH</b> DO NOT SCALE DRAWING FOR DIMENSIONS Sheet 3 of 3 SCALE 1:8	
<b>CONFIDENTIAL DISCLOSURE</b> This drawing is the property of POWEREX, INC. of the SCOTT FETZER COMPANY and subject to return on demand. Its contents are confidential and must not be copied or submitted to outside parties for use or examination.			
DRAWN BY AEK		CHECKED BY GES	
APPROVED BY DMS		APPROVED BY DFG	
2/27/13		2/27/13	
MATERIAL N/A		<b>POWEREX</b> 150 PRODUCTION DRIVE, HARRISON, OHIO 45030 Ph: 888-769-7979 FAX: (513) 367-3125	
PART NAME SHP. MEDICAL TANKMOUNT VERTICAL SCROLL DUPLEX 80 GAL		DWG NO MTSD0503 SIZE D	

8 7 6 5 4 3 2 1

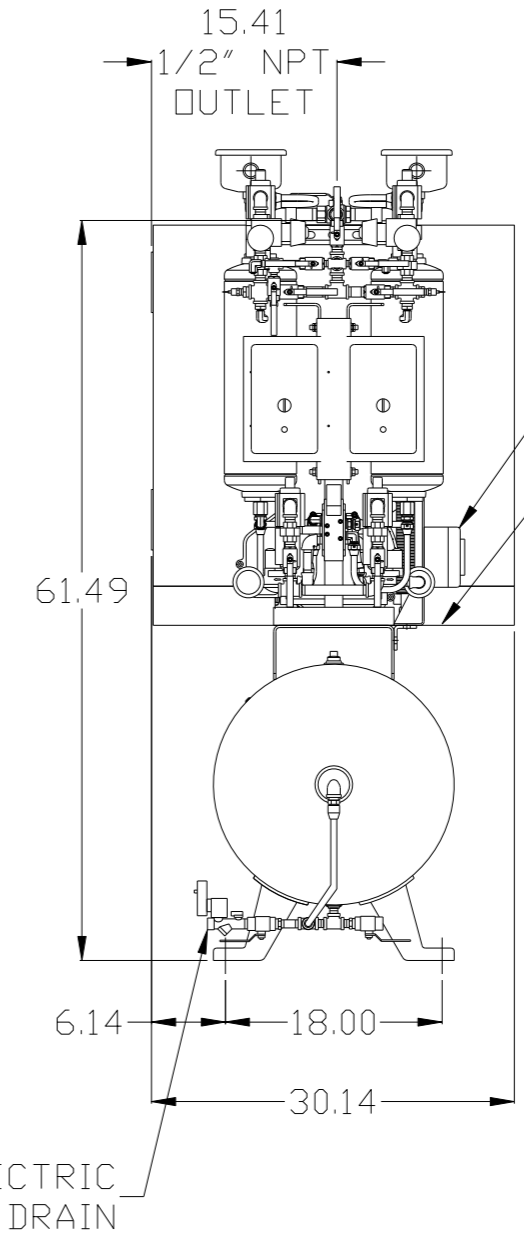
REV	ZONE	REVISION	DATE	ECN	NAME	CHKD
H-1	ALL	ADDED PBMI SHEETS	12/19/11	22609	AEK	GES
J-1	2 ALL	ADDED/UPDATED FLEX LINES	1/11/13	PXEC0009	AEK	DMS
K-1	ALL	ADDED SHEET 3	2/27/13	PXEC0030	AEK	GES
K-2	1,3 ALL	REMOVED CO MONITOR FROM THE CONTROL PANEL ADDED SIGHT GAUGE	11/7/13	PXEC0030	AEK	GES
L-1	2 85.05	CHANGED FLEX LINES TO 3/4"	8/13/15	PXEC0090	AEK	GES



PBMI/HMI  
CONTROL  
PANEL



2X DESICCANT DRYERS  
W/ PRE FILTER, AFTER FILTER  
& OPTIONAL CHARCOAL FILTER.



CO MONITOR

SCROLL AFTERCOOLER  
SEPARATORS  
MUST BE RIGIDLY  
SUPPORTED

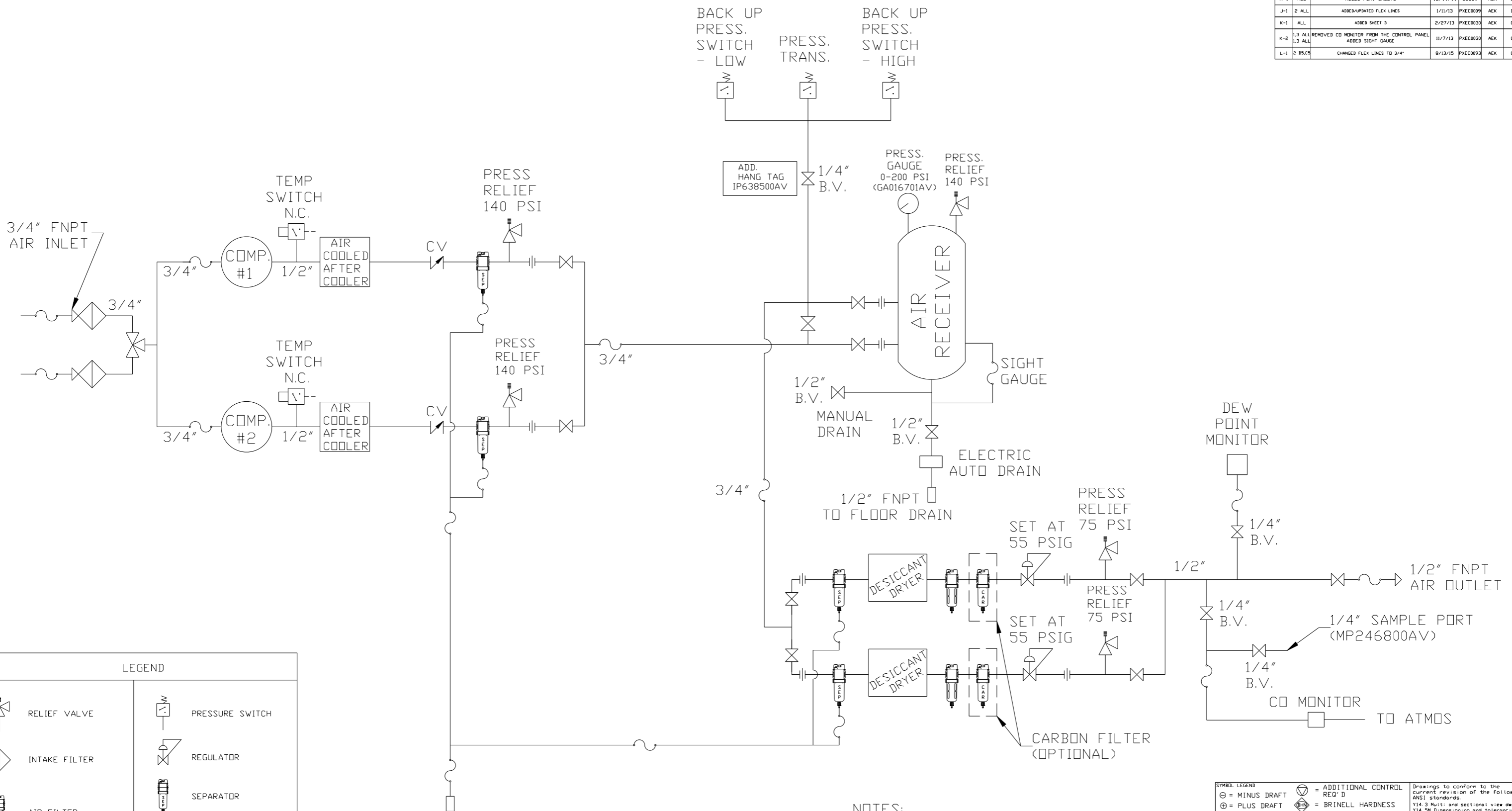
NOTE: SYSTEM DESIGNED IN  
COMPLIANCE WITH U.S. NFPA '99,  
LATEST EDITION.

NOTE: A MINIMUM OF 24" CLEARANCE IS  
RECOMMENDED AROUND THE ENTIRE UNIT.

NOTE: TANK PLUMBING NOT SHOWN  
FOR DRAWING CLARITY.

SYMBOL LEGEND ⊖ = MINUS DRAFT ⊕ = PLUS DRAFT TOLERANCES NOT SPECIFIED .XX ± .XXX ± <math>\angle</math>(DEG) ±		⊕ = ADDITIONAL CONTROL REQ'D HRC = BRINELL HARDNESS		Drawings to conform to the current revision of the following ANSI standards: Y14.3 Multi and sectional view dgs. Y14.5M Dimensioning and tolerancing	
AUTOCAD REL2008		DO NOT SCALE DRAWING FOR DIMENSIONS		SCALE 1:8	
CONFIDENTIAL DISCLOSURE This drawing is the property of POWEREX, INC. of the SCOTT FETZER COMPANY and subject to return on demand. Its contents are confidential and must not be copied or submitted to outside parties for use or examination.		DRAWN BY AEK	CHECKED BY GES	APPROVED BY ENGINEERING DMS	MFG/MKTG RJR
MATERIAL N/A		12/19/11	12/19/11	12/19/11	12/19/11
PART NAME SHP. MEDICAL TANKMOUNT VERTICAL SCROLL DUPLX 80 GAL		 150 PRODUCTION DRIVE, HARRISON, OHIO 45030 Ph: 888-769-7979 FAX: (513) 367-3125		DWG NO MTSD0503	SIZE D

REV	ZONE	REVISION	DATE	ECN	NAME	CHKD
H-1	ALL	ADDED P&MI SHEETS	12/19/11	22609	AEK	GES
J-1	2 ALL	ADDED/UPDATED FLEX LINES	1/11/13	PXEC0009	AEK	DMS
K-1	ALL	ADDED SHEET 3	2/27/13	PXEC0030	AEK	GES
K-2	1,3 ALL	REMOVED CO MONITOR FROM THE CONTROL PANEL ADDED SIGHT GAUGE	11/7/13	PXEC0030	AEK	GES
L-1	2 BS,CS	CHANGED FLEX LINES TO 3/4"	8/13/15	PXEC0090	AEK	GES



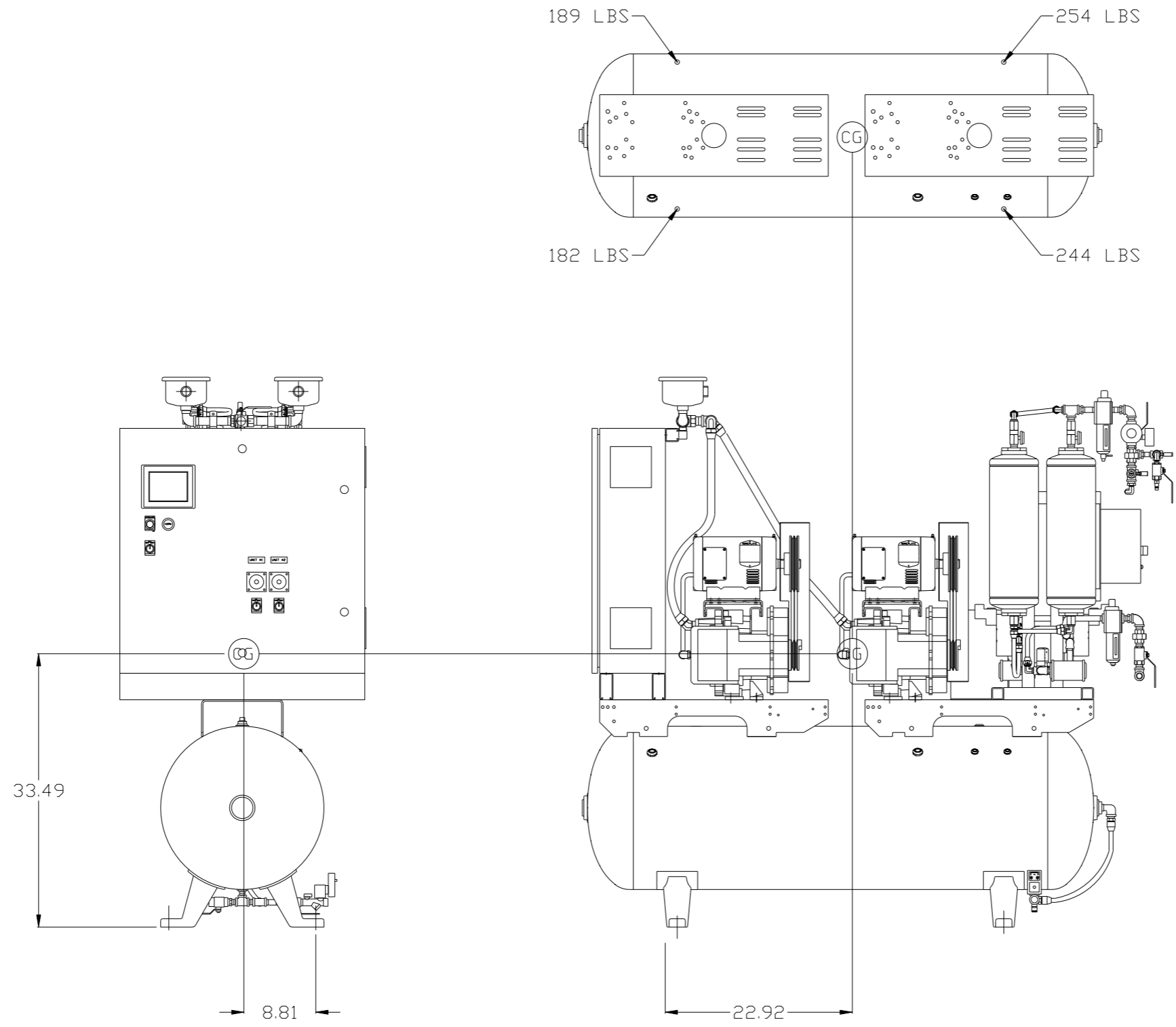
LEGEND	
	RELIEF VALVE
	INTAKE FILTER
	AIR FILTER
	3 WAY VALVE
	CARBON FILTER
	BALL VALVE
	PRESSURE SWITCH
	REGULATOR
	SEPARATOR
	CHECK VALVE
	FLEX LINE
	HIGH TEMP SWITCH
	UNION

- NOTES:
- 1) IF LAG 1 COMPRESSOR IS ENERGIZED ALARM WILL OCCUR.
  - 2) PIPING TO THE INLET BY OTHERS AND TO BE PER NFPA99 4-3.1.1.9(b)
  - 3) INSTRUMENTS DOWN STREAM OF SOURCE VALVE TO BE SUPPLIED BY OTHERS.

SYMBOL LEGEND			= ADDITIONAL CONTROL REQ'D	Drawings to conform to the current revision of the following ANSI standards
	= MINUS DRAFT		= BRINELL HARDNESS	Y14.3 Multi and sectional view dsgs. Y14.5M Dimensioning and tolerancing
TOLERANCES NOT SPECIFIED		AUTOCAD REL2008	DO NOT SCALE DRAWING FOR DIMENSIONS	
.XX ±		INCH	Sheet 2 of 3	SCALE 1:8
<small>CONFIDENTIAL DISCLOSURE: This drawing is the property of POWEREX, INC. of the SCOTT FETZER COMPANY and subject to return on demand. Its contents are confidential and must not be copied or submitted to outside parties for use or examination.</small>				
DRAWN BY	CHECKED BY	APPROVED BY	MFG/MKTG	
AEK	GES	DMS	RJR	
12/19/11	12/19/11	12/19/11	12/19/11	
MATERIAL		N/A		
PART NAME		5HP. MED. PACKAGE FLOW SCHEMATIC		
DWG NO		MTSD0503		
SIZE		D		

8 7 6 5 4 3 2 1

REV	ZONE	REVISION	DATE	ECN	NAME	CHKD
K-1	ALL	ADDED SHEET 3	2/27/13	PXEC0030	AEK	GES
K-2	1,3	ALL REMOVED CD MONITOR FROM THE CONTRL PANEL	11/7/13	PXEC0030	AEK	GES
	1,3	ALL ADDED SIGHT GAUGE				
L-1	2	85.C5 CHANGED FLEX LINES TO 3/4"	8/13/15	PXEC0093	AEK	GES



VACUUM SYSTEM:  
 TOTAL WEIGHT: 869 LBS  
 C.O.G. DIMENSIONS  
 X (FRONT): -8.81"  
 Y (RIGHT): 21.45"  
 Z (HEIGHT): 33.49"

denotes center of gravity (CG)

<b>SYMBOL LEGEND</b> ⊖ = MINUS DRAFT ⊕ = PLUS DRAFT ⊕ = ADDITIONAL CONTROL REQ'D HRC = BRINELL HARDNESS		Drawings to conform to the current revision of the following ANSI standards: Y14.3 Multi and sectional view dgs. Y14.5M Dimensioning and tolerancing	
TOLERANCES NOT SPECIFIED .XX ± .XXX ± <math>\angle</math>(DEG.) ±		AUTOCAD REL2008 INCH DO NOT SCALE DRAWING FOR DIMENSIONS Sheet 3 of 3 SCALE 1:8	
<b>CONFIDENTIAL DISCLOSURE</b> This drawing is the property of POWEREX, INC. of the SCOTT FETZER COMPANY and subject to return on demand. Its contents are confidential and must not be copied or submitted to outside parties for use or examination.			
DRAWN BY AEK		CHECKED BY GES	
APPROVED BY DMS		ENGINEERING DFG	
DATE 2/27/13		DATE 2/27/13	
DATE 2/27/13		DATE 2/27/13	
MATERIAL N/A		PART NAME SHP. MEDICAL TANKMOUNT VERTICAL SCROLL DUPLEX 80 GAL	
DWG NO MTSD0503		SIZE D	

8 7 6 5 4 3 2 1