

REV	REVISION	DATE	ECN	NAME	CHKD
B-1	RELEASE TO PRODUCTION	09/05/11	22545	CHR	DMS
C-1	BACNET CARD UPDATE ADD ISOLATION RELAYS	07/20/15	PXEC0110	AJL	KMD
D	ADDED FAN WIRING	9/4/18	PXEC0169	AKH	KMD

OPTIONAL:	SINGLE CYLINDER AND SCROLLPUMPS	<input checked="" type="checkbox"/>
	DOUBLE-CYLINDER PUMPS	<input type="checkbox"/>
BACNET, WEBSVR,	TRIPLE-CYLINDER PUMPS	<input type="checkbox"/>



CONFIDENTIAL DISCLOSURE:
 This drawing is the property of the CAMPBELL GROUP of the SCOTT FETZER COMPANY and subject to return on demand. Its contents are confidential and must not be copied or submitted to outside parties for use or examination.

DRAWN BY	CHECKED BY	ENGINEERING APPROVAL
CHR	DMS	DMS
09/05/11	04/26/13	04/26/13

PANEL TYPE
 HEX MEDICAL COMP
 HMI, NFPA

DWG. TYPE
 WIRING

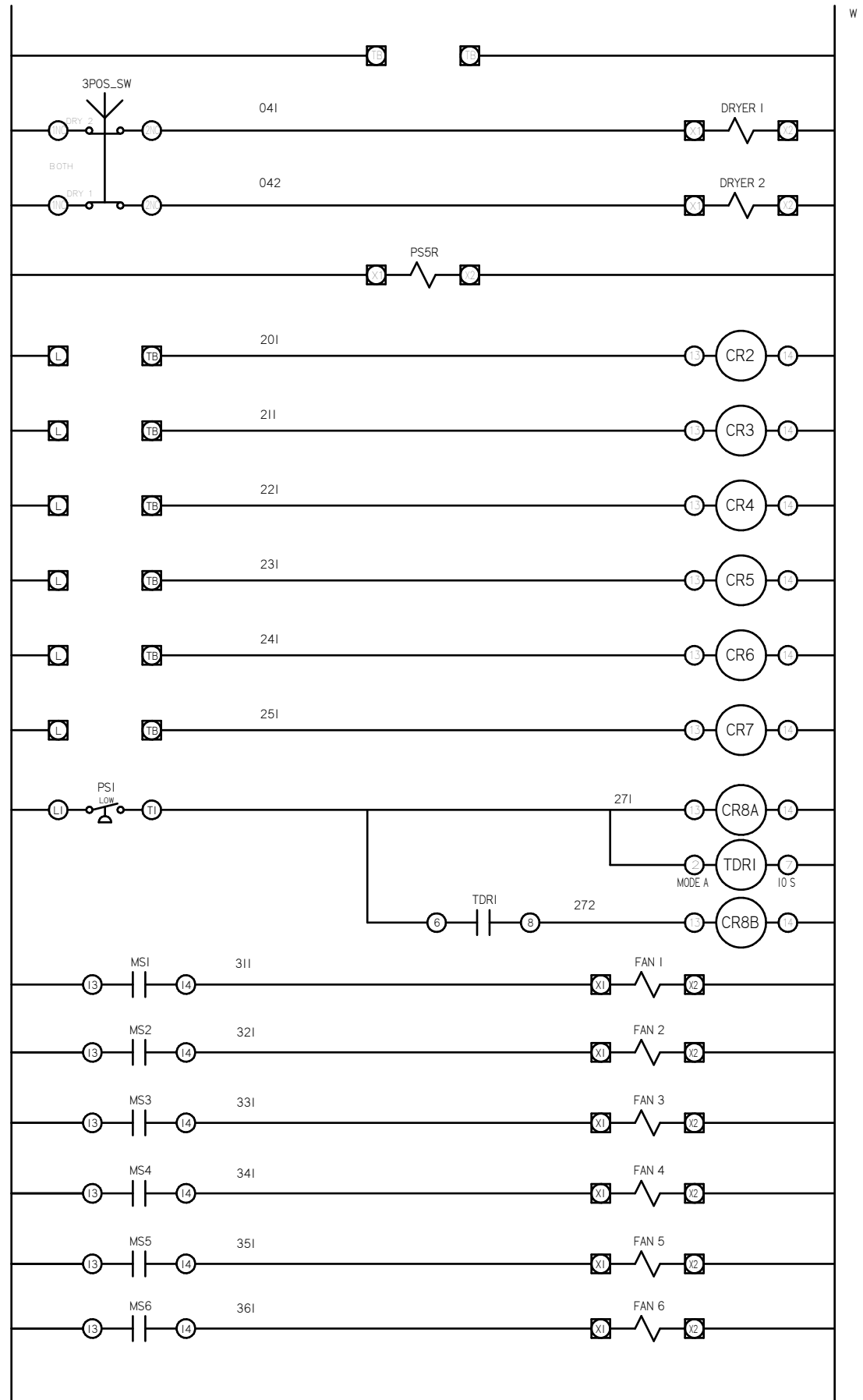
DWG. NO.
 PXMI-A616 W

SHEET W-1	SIZE B
--------------	-----------

W

REV	REVISION	DATE	ECN	NAME	CHKD
B-1	RELEASE TO PRODUCTION	09/05/11	22545	CHR	DMS
C-1	BACNET CARD UPDATE ADD ISOLATION RELAYS	07/20/15	PXEC0110	AJL	KMD
D	ADDED FAN WIRING	9/4/18	PXEC0169	AKH	KMD

001



03
120VAC
DEVICE POWER
FE PS

04
DRYER
POWER

06
24 VDC POW SUP
PS5R

20
HIGH TEMP SW
UNIT #1
CR2 10 711

21
HIGH TEMP SW
UNIT #2
CR3 11 721

22
HIGH TEMP SW
UNIT #3
CR4 12 731

23
HIGH TEMP SW
UNIT #4
CR5 13 741

24
HIGH TEMP SW
UNIT #5
CR4 14 751

25
HIGH TEMP SW
UNIT #6
CR7 15 761

27
LOW PRES
BACKUP
CR8A 10 11 12
TDR1
MODE A 10 S
CR8B 13 14 15

31
FAN POWER
UNIT #1
TB

32
FAN POWER
UNIT #2
TB

33
FAN POWER
UNIT #3
TB

34
FAN POWER
UNIT #4
TB

35
FAN POWER
UNIT #5
TB

36
FAN POWER
UNIT #6
TB

001

OPTIONAL:	SINGLE CYLINDER AND SCROLLPUMPS	<input checked="" type="checkbox"/>
	DOUBLE-CYLINDER PUMPS	<input type="checkbox"/>
BACNET, WEBSVR,	TRIPLE-CYLINDER PUMPS	<input type="checkbox"/>



CONFIDENTIAL DISCLOSURE:
This drawing is the property of the CAMPBELL GROUP of the SCOTT FETZER COMPANY and subject to return on demand. Its contents are confidential and must not be copied or submitted to outside parties for use or examination.

DRAWN BY	CHECKED BY	ENGINEERING APPROVAL
CHR	DMS	DMS
09/05/11	04/26/13	04/26/13

PANEL TYPE
HEX MEDICAL COMP
HMI, NFPA

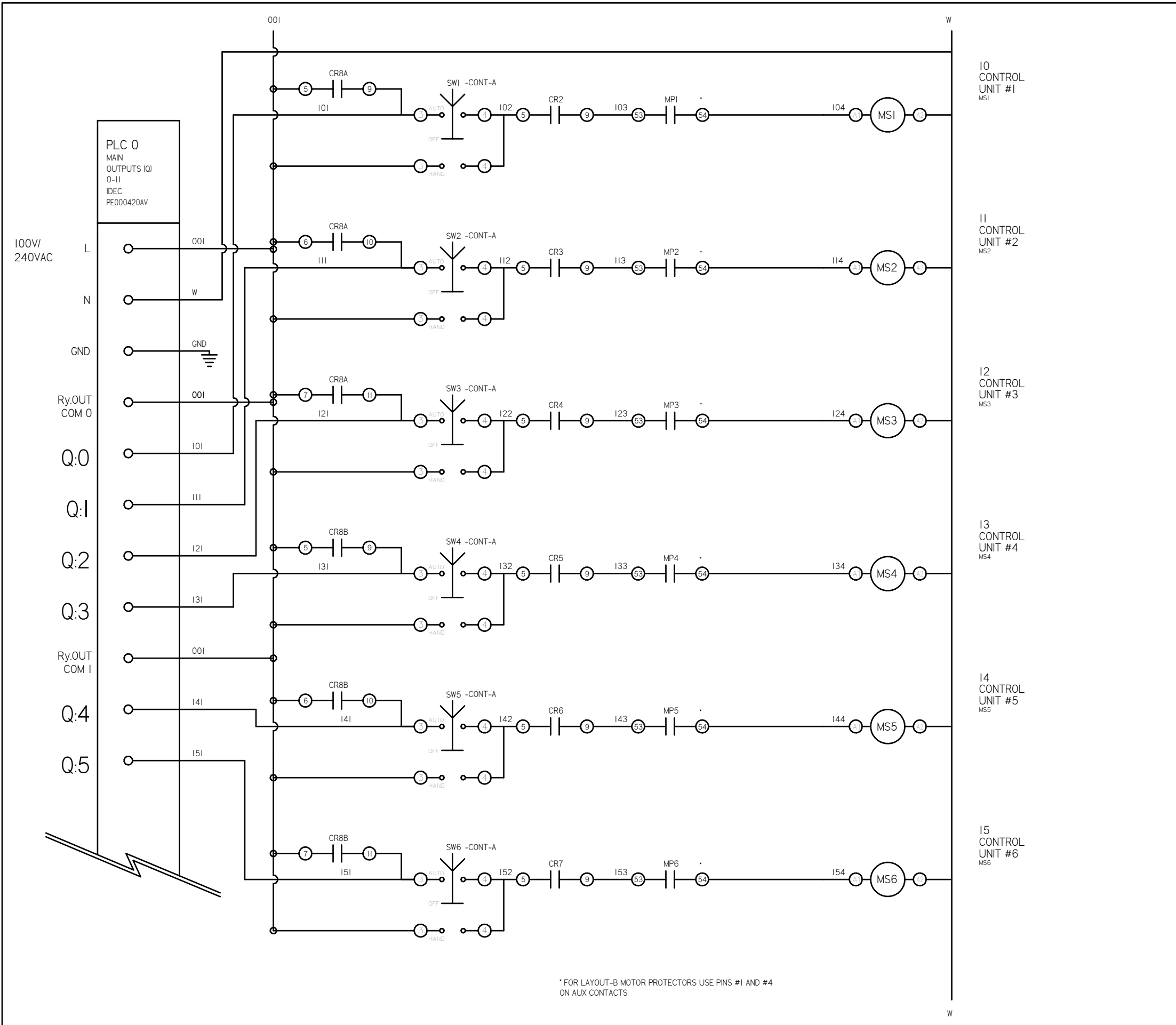
DWG. TYPE
WIRING

DWG. NO.
PXMI-A616 W

SHEET
W-2

SIZE
B

REV	REVISION	DATE	ECN	NAME	CHKD
B-1	RELEASE TO PRODUCTION	09/05/11	22545	CHR	DMS
C-1	BACNET CARD UPDATE ADD ISOLATION RELAYS	07/20/15	PXEC0110	AJL	KMD
D	ADDED FAN WIRING	9/4/18	PXEC0165	AKH	KMD



* FOR LAYOUT-B MOTOR PROTECTORS USE PINS #1 AND #4 ON AUX CONTACTS

OPTIONAL:	SINGLE CYLINDER AND SCROLLPUMPS	<input checked="" type="checkbox"/>
	DOUBLE-CYLINDER PUMPS	<input type="checkbox"/>
BACNET, WEBSVR,	TRIPLE-CYLINDER PUMPS	<input type="checkbox"/>



CONFIDENTIAL DISCLOSURE
This drawing is the property of the CAMPBELL GROUP of the SCOTT FETZER COMPANY and subject to return on demand. Its contents are confidential and must not be copied or submitted to outside parties for use or examination.

DRAWN BY	CHECKED BY	ENGINEERING APPROVAL
CHR	DMS	DMS
09/05/11	04/26/13	04/26/13

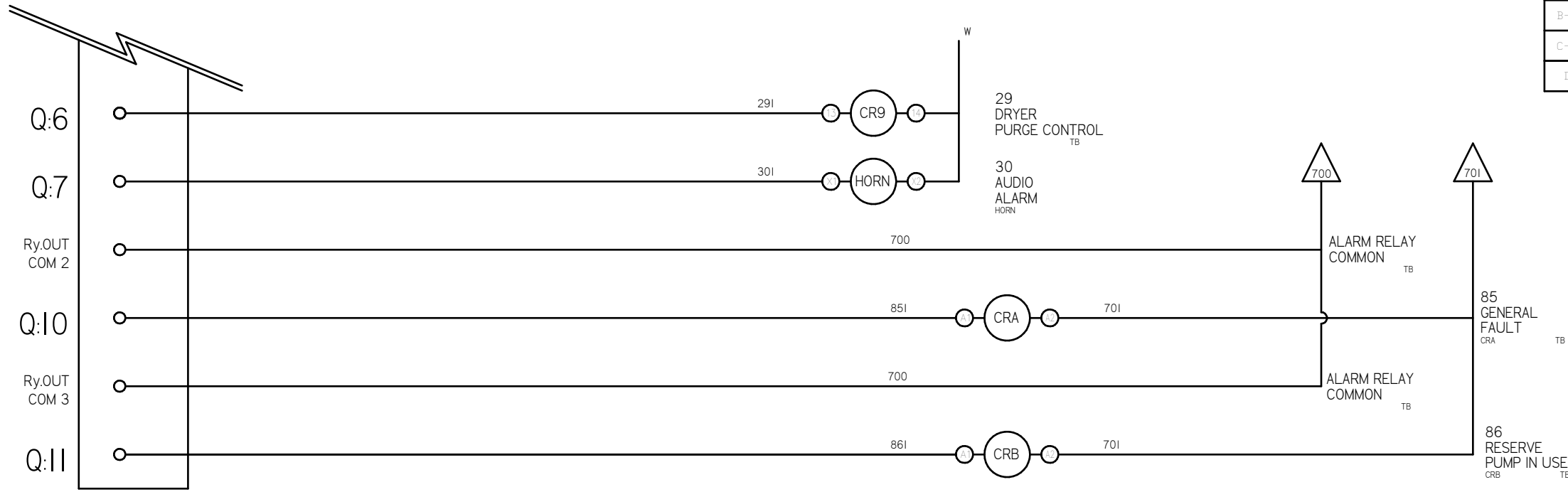
PANEL TYPE
HEX MEDICAL COMP
HMI, NFPA

DWG. TYPE WIRING

DWG. NO. PXMI-A616 W

SHEET	SIZE
W-3	B

REV	REVISION	DATE	ECN	NAME	CHKD
B-1	RELEASE TO PRODUCTION	09/05/11	22545	CHR	DMS
C-1	BACNET CARD UPDATE ADD ISOLATION RELAYS	07/20/15	PXEC0110	AJL	KMD
D	ADDED FAN WIRING	9/4/18	PXEC0169	AKH	KMD



OPTIONAL:

BACNET, WEBSVR.



CONFIDENTIAL DISCLOSURE:
This drawing is the property of the CAMPBELL GROUP of the SCOTT FETZER COMPANY and subject to return on demand. Its contents are confidential and must not be copied or submitted to outside parties for use or examination.

DRAWN BY	CHECKED BY	ENGINEERING APPROVAL
CHR	DMS	DMS
09/05/11	04/26/13	04/26/13

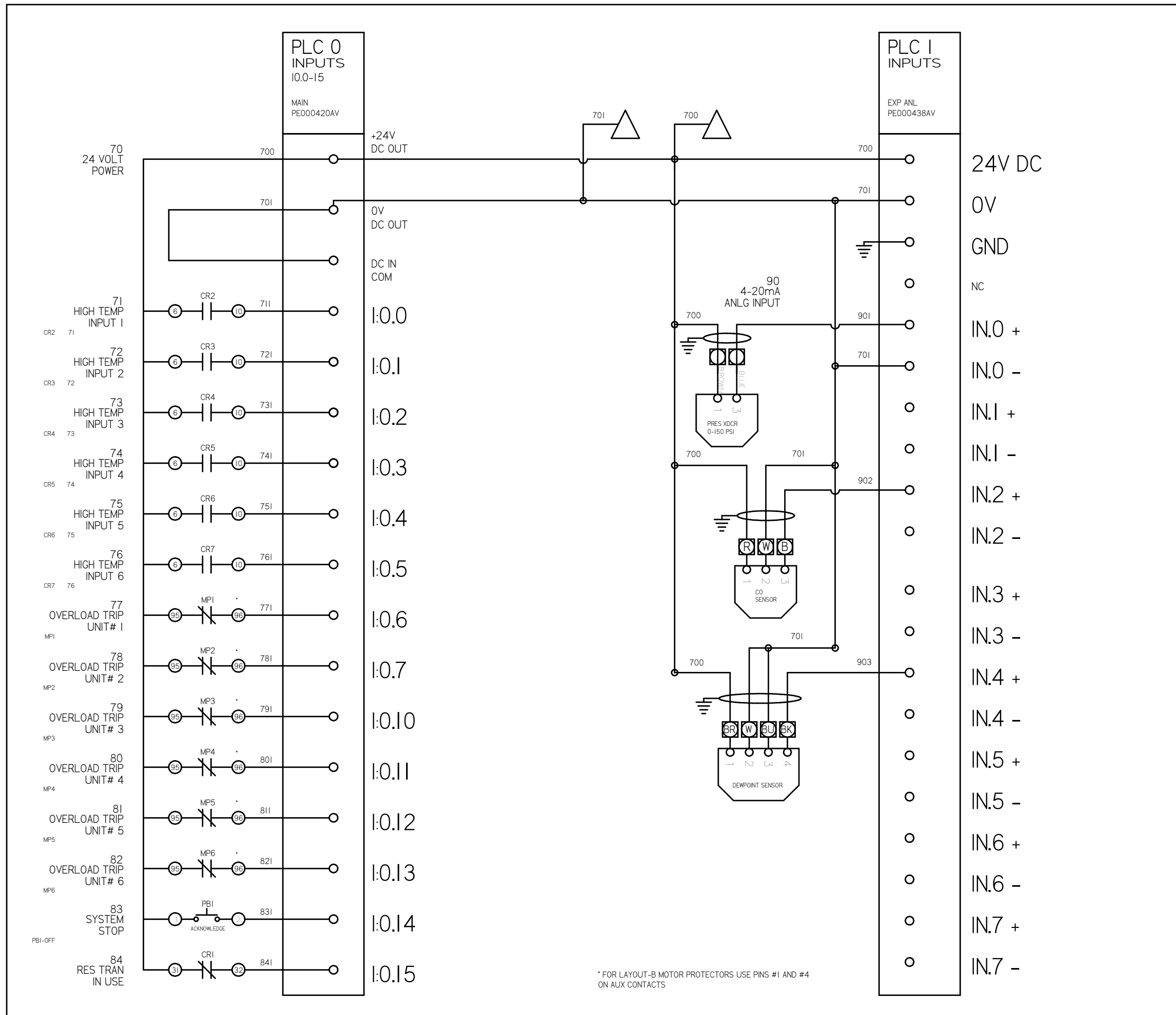
PANEL TYPE
HEX MEDICAL COMP
HMI, NFPA

DWG. TYPE WIRING

DWG. NO. PXMI-A616 W

SHEET	SIZE
W-4	B

REV	REVISION	DATE	ECN	NAME	CHKD
B-1	RELEASE TO PRODUCTION	09/05/11	22545	CHR	DMS
C-1	BACNET CARD UPDATE ADD ISOLATION RELAYS	07/20/15	PXEC0110	AJL	KMD
D	ADDED FAN WIRING	9/4/18	PXEC0169	AKH	KMD



OPTIONAL:	SINGLE CYLINDER AND SCROLLPUMPS	<input checked="" type="checkbox"/>
	DOUBLE-CYLINDER PUMPS	<input type="checkbox"/>
BACNET, WEBSVR	TRIPLE-CYLINDER PUMPS	<input type="checkbox"/>



CONFIDENTIAL DISCLOSURE:
This drawing is the property of the CAMPBELL GROUP of the SCOTT FETZER COMPANY and subject to return on demand. Its contents are confidential and must not be copied or submitted to outside parties for use or examination.

DRAWN BY	CHECKED BY	ENGINEERING APPROVAL
CHR	DMS	CHR
09/05/11	04/26/13	04/26/13

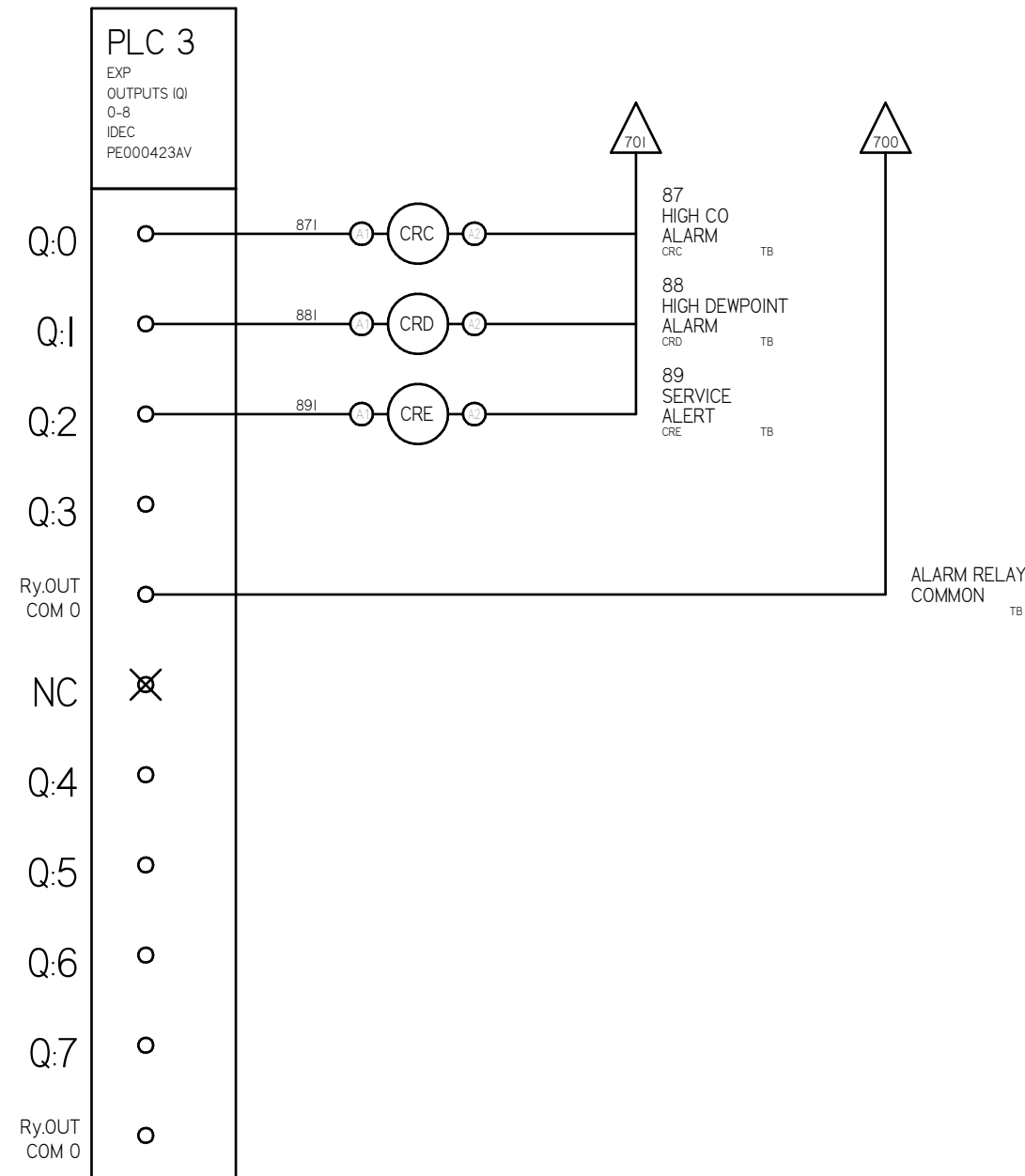
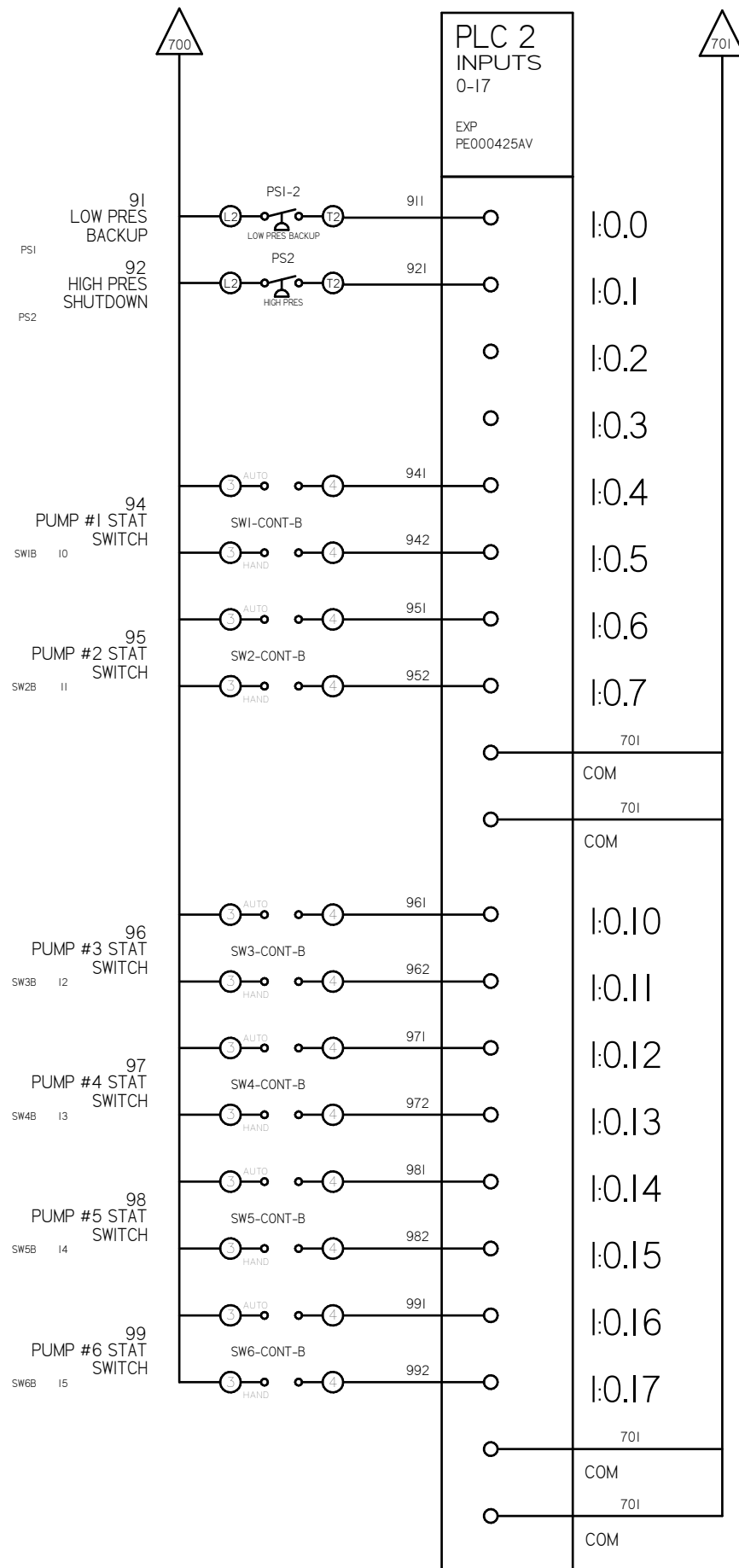
PANEL TYPE
HEX MEDICAL COMP
HMI, NFPA

DWG. TYPE
WIRING

DWG. NO.
PXMI-A616 W

SHEET W-5	SIZE B
--------------	-----------

REV	REVISION	DATE	ECN	NAME	CHKD
B-1	RELEASE TO PRODUCTION	09/05/11	22545	CHR	DMS
C-1	BACNET CARD UPDATE ADD ISOLATION RELAYS	07/20/15	PXEC0110	AJL	KMD
D	ADDED FAN WIRING	9/4/18	PXEC0165	AKH	KMD



OPTIONAL:	SINGLE CYLINDER AND SCROLLPUMPS	<input checked="" type="checkbox"/>
	DOUBLE-CYLINDER PUMPS	<input type="checkbox"/>
BACNET, WEBSRV, TB	TRIPLE-CYLINDER PUMPS	<input type="checkbox"/>



CONFIDENTIAL DISCLOSURE:
This drawing is the property of the CAMPBELL GROUP of the SCOTT FETZER COMPANY and subject to return on demand. Its contents are confidential and must not be copied or submitted to outside parties for use or examination.

DRAWN BY	CHECKED BY	ENGINEERING APPROVAL
CHR	DMS	DMS
09/05/11	04/26/13	04/26/13

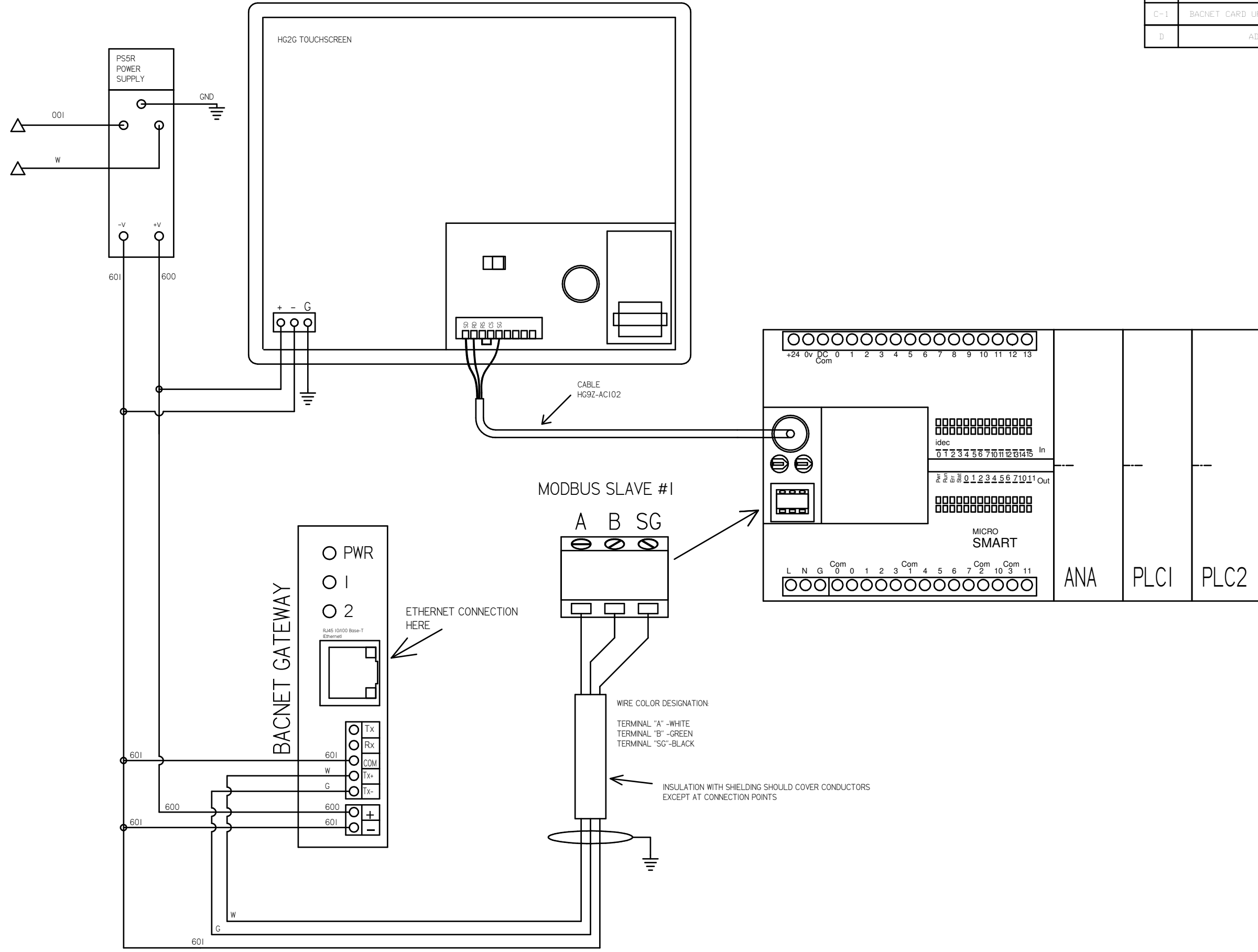
PANEL TYPE
HEX MEDICAL COMP
HMI, NFPA

DWG. TYPE WIRING

DWG. NO. PXMI-A616 W

SHEET W-6	SIZE B
-----------	--------

REV	REVISION	DATE	ECN	NAME	CHKD
B-1	RELEASE TO PRODUCTION	09/05/11	22545	CHR	DMS
C-1	BACNET CARD UPDATE ADD ISOLATION RELAYS	07/20/15	PXEC0110	AJL	KMD
D	ADDED FAN WIRING	9/4/18	PXEC0169	AKH	KMD



OPTIONAL:

SINGLE CYLINDER AND SCROLLPUMPS	<input checked="" type="checkbox"/>
DOUBLE-CYLINDER PUMPS	<input type="checkbox"/>
TRIPLE-CYLINDER PUMPS	<input type="checkbox"/>



CONFIDENTIAL DISCLOSURE:
This drawing is the property of the CAMPBELL GROUP of the SCOTT FETZER COMPANY and subject to return on demand. Its contents are confidential and must not be copied or submitted to outside parties for use or examination.

DRAWN BY	CHECKED BY	ENGINEERING APPROVAL
CHR	DMS	DMS
09/05/11	04/26/13	04/26/13

PANEL TYPE
HEX MEDICAL COMP
HMI, NFPA

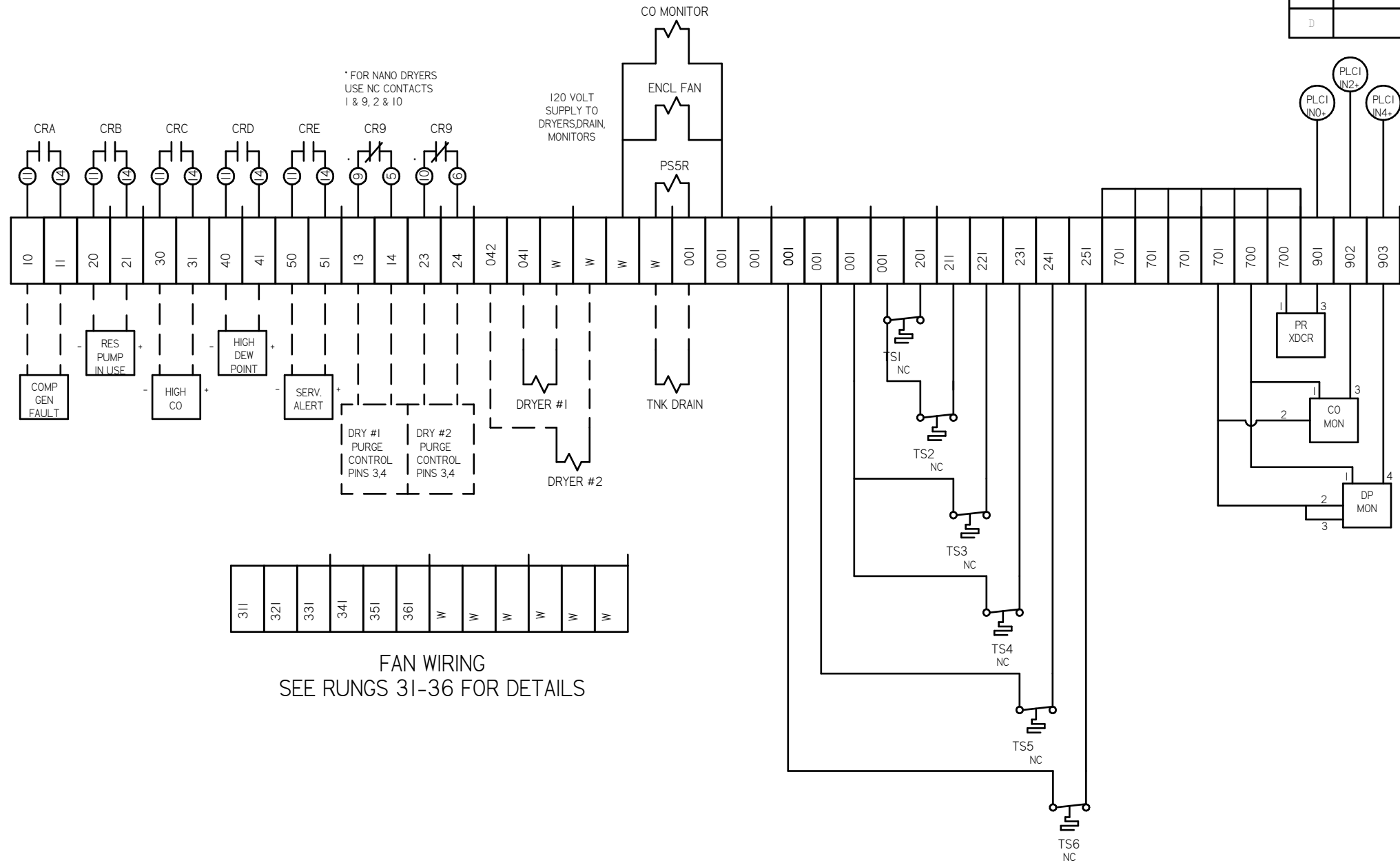
DWG. TYPE WIRING

DWG. NO. PXMI-A616 W

SHEET	SIZE
W-7	B

TERMINAL BLOCKS

REV	REVISION	DATE	ECN	NAME	CHKD
B-1	RELEASE TO PRODUCTION	09/05/11	22545	CHR	DMS
C-1	BACNET CARD UPDATE ADD ISOLATION RELAYS	07/20/15	PXEC0110	AJL	KMD
D	ADDED FAN WIRING	9/4/18	PXEC0169	AKH	KMD



OPTIONAL:	SINGLE CYLINDER AND SCROLL PUMPS	<input checked="" type="checkbox"/>
	DOUBLE-CYLINDER PUMPS	<input type="checkbox"/>
	TRIPLE-CYLINDER PUMPS	<input type="checkbox"/>

BACNET, WEBSVR,



CONFIDENTIAL DISCLOSURE:
This drawing is the property of the CAMPBELL GROUP of the SCOTT FETZER COMPANY and subject to return on demand. Its contents are confidential and must not be copied or submitted to outside parties for use or examination.

DRAWN BY	CHECKED BY	ENGINEERING APPROVAL
CHR	DMS	DMS
09/05/11	04/26/13	04/26/13

PANEL TYPE
HEX MEDICAL COMP
HMI, NFPA

DWG. TYPE WIRING

DWG. NO. PXMI-A616 W

SHEET	SIZE
W-8	B

- FIELD WIRING NOTES:
1. PANEL GROUND MUST BE CONNECTED TO EARTH GROUND.
 2. TRANSFORMER IS SIZED FOR LOADS SHOWN ON DRAWING ONLY.
 3. FIELD WIRING INDICATED BY -----, WIRE TO BE COPPER RATED AT 75° C.
 4. ALL ALARM DRY CONTACTS ARE CLOSED FOR NORMAL OPERATION AND OPEN IN ALARM.
 5. DRY CONTACT RATING: 30V DC/2A (resistive load, inductive load L/R = 7 ms)
 6. USE CAT-5 CABLE W/RJ45 CONNECTOR FOR ETHERNET CONNECTION TO COMMUNICATION NETWORK OR BAS SYSTEM

REV	REVISION	DATE	ECN	NAME	CHKD
B-1	RELEASE TO PRODUCTION	03/12/12	22545	BFH	CHR
D	ADDED FAN WIRING	9/4/18	EXEC0165	AKH	KMD

TABL-1	P/N	MOTOR FULL LOAD AMPS	TOTAL FULL LOAD AMPS	NON-TIME DELAY FUSE	TIME DELAY FUSE	INVERSE-TIME CIRCUIT BREAKER
208V (3Ø)	02AJ	4.1	26.6	35	30	35
	12AJ	4.5	29	40	35	40
	22AJ	6	38	50	45	50
	32AJ	8.5	53	70	60	70
	52AJ	14	86	125	100	110
	72AJ	20.5	125	175	150	175
	A2AJ *	27.4	166.4	225	200	225
	F2AJ *	41.1	248.6	350	300	350
230V (3Ø)	03AJ	3.6	23.6	35	30	30
	13AJ	4.4	28.4	40	35	40
	23AJ	5.8	36.8	50	45	50
	33AJ	7.7	48.2	70	60	70
	53AJ	12.7	78.2	110	90	100
	73AJ	18.5	113	150	150	150
	A3AJ	24.8	150.8	225	175	200
	F3AJ *	37.2	225.2	300	300	300
460V (3Ø)	04AJ	1.8	12.8	20	15	20
	14AJ	2.2	15.2	20	20	20
	24AJ	2.9	19.4	30	25	25
	34AJ	3.9	25.4	35	30	35
	54AJ	6.3	39.8	60	45	50
	74AJ	9.3	57.8	80	70	80
	A4AJ	12.4	76.4	110	90	100
	F4AJ	18.6	113.6	175	150	150
380V (3Ø) 50HZ	08AJ					
	18AJ					
	28AJ	3.4	22.4	30	25	30
	38AJ	4.6	29.6	40	35	40
	58AJ	7.7	48.2	70	60	70
	78AJ	11.1	68.6	100	80	90
	A8AJ	14.9	91.4	125	110	125
	F8AJ	22.1	134.6	200	175	175
575V (3Ø)	07AJ	1.1	8.6	15	10	15
	17AJ					
	27AJ	2.3	15.8	25	20	20
	37AJ	3.1	20.6	30	25	30
	57AJ	5.1	32.6	45	40	45
	77AJ	6.9	43.4	60	50	60
	A7AJ	9.9	61.4	90	70	80
	F7AJ	14.9	91.4	125	125	125

- NOTES:
- RECOMMENDED TIGHTENING TORQUES FOR WIRE TERMINALS:
208-575 VOLT POWER 35 POUND INCHES
120 VOLT POWER AND CONTROL VOLTAGE 15 POUND INCHES
 - PANEL GROUND MUST BE CONNECTED TO EARTH GROUND
 - INSTALLER TO PROVIDE MAIN DISCONNECTING DEVICE WITH SHORT CIRCUIT PROTECTION FOR THIS ELECTRICAL ASSEMBLY. SEE TABLE I .
 - ALL WIRES MUST BE LABELED ON BOTH ENDS
 - TRANSFORMER IS SIZED FOR LOADS SHOWN ON DRAWING ONLY. DO NOT CONNECT ANY OTHER DEVICES
 - △ -INDICATES A DRAWING WIRE CONNECTION TO ANOTHER PAGE.

FIELD WIRING NOTES ON PAGE W-8.

VOLTAGE	WIRE NUMBERS	GAUGE	COLOR
120 VAC	01-699	16-18 AWG	RED/BLK
0VAC	W	16-18 AWG	WHT/BLK
24VDC	700-799	16-18 AWG	PURPLE
0VDC	701	16-18 AWG	PURPLE
GND	-	VARIES	GREEN
CUSTOMER SUPPLY	01-99	16 AWG	YELLOW

FUSE TYPE	208 VOLT	230 VOLT	460 VOLT	575 VOLT
FU1,2A	FNQR	6A	5A	4A
FU1,2B				
FU3A,B	FNM	7A	7A	7A

OPTIONAL:
208V-575V



CONFIDENTIAL DISCLOSURE:
This drawing is the property of the CAMPBELL GROUP of the SCOTT FETZER COMPANY and subject to return on demand. Its contents are confidential and must not be copied or submitted to outside parties for use or examination.

DRAWN BY	CHECKED BY	ENGINEERING APPROVAL
BFH	CHR	CHR
03/12/12	03/12/12	03/12/12

PANEL TYPE
COMPRESSOR DATA TABLE
3PH 6-PLEX PANEL DATA

DWG. TYPE MISC
DWG. NO. DATA TABLE

SHEET D-1
SIZE B

SEQUENCE OF OPERATIONS

During normal operation the PBMI controller will signal the Lead compressor to run when pressure drops below lead cut-in set-point and stop when the pressure reaches the lead cut-out set-point. Lead alternation to the next pump, will occur with each lead run signal or every 10-minutes (which ever happens first). If demand cannot be satisfied by the lead pump, the lag pump(s) will start and stop based upon the lag cut-in and cut-out set-points. When more than one pump is running, lead alternation will occur when the lowest cut-out set-point is satisfied, or after 10-minutes (which ever happens first). The HOA switch's place the pump in the following modes: Hand-turns pump on to run continuous. Off-disables pump from running. Auto-places pump in the "ready mode" and will start and stop based on sequence described above.

All plex configurations include a hardwired Back-up pressure switch circuit should a control failure occur. This circuit will call all pumps on and off based on the reserve pressure switch set-points.

Expandable systems include all control devices, operators, and programming for the maximum number of pumps (or plex) required. To expand the system: navigate to the "service screen" and enter the number of pumps.

Additional information and descriptions can be accessed through the HMI "service info" screen by pressing Sequence of Operations button.

TABLE 1	P/N	MOTOR FULL LOAD AMPS	TOTAL FULL LOAD AMPS	NON-TIME DELAY FUSE	TIME DELAY FUSE	INVERSE-TIME CIRCUIT BREAKER
208V (3Ø)	72AJ	19.2	117.2	175	150	150
	A2AJ	26.5	161	225	200	225
230V (3Ø)	73AJ	17.3	105.8	150	125	150
	A3AJ	24	146	200	175	200
460V (3Ø)	74AJ	8.67	54.02	80	70	70
	A4AJ	12	74	100	90	100
380V (3Ø) 50HZ	78AJ	10.7	66.2	90	80	90
	A8AJ	14.5	89	125	100	125

REV	REVISION	DATE	ECN	NAME	CHKD
B-1	RELEASE TO PRODUCTION	04/28/15	PXEC0057	KMD	DMS
D	ADDED FAN WIRING	9/4/18	PXEC0165	AKH	KMD

VOLTAGE	WIRE NUMBERS	GAUGE	COLOR
120 VAC	01-699	16-18 AWG	RED/BLK
0VAC	W	16-18 AWG	WHT/BLK
24VDC	700-799	16-18 AWG	PURPLE
0VDC	701	16-18 AWG	PURPLE
GND	-	VARIES	GREEN
CUSTOMER SUPPLY	01-99	16 AWG	YELLOW

FUSE TYPE		208 VOLT	230 VOLT	460 VOLT	575 VOLT
FU1,2A	FNDR	6A	5A	5A	4A
FU1,2B					
FU3AB	FNM	7A	7A	7A	7A

NOTES:

- RECOMMENDED TIGHTENING TORQUES FOR WIRE TERMINALS:
208-575 VOLT POWER 35 POUND INCHES
120 VOLT POWER AND CONTROL VOLTAGE 15 POUND INCHES
- PANEL GROUND MUST BE CONNECTED TO EARTH GROUND
- INSTALLER TO PROVIDE MAIN DISCONNECTING DEVICE WITH SHORT CIRCUIT PROTECTION FOR THIS ELECTRICAL ASSEMBLY. SEE TABLE 1.
- ALL WIRES MUST BE LABELED ON BOTH ENDS
- TRANSFORMER IS SIZED FOR LOADS SHOWN ON DRAWING ONLY. DO NOT CONNECT ANY OTHER DEVICES

6.  INDICATES A DRAWING WIRE CONNECTION TO ANOTHER PAGE.

FIELD WIRING NOTES ON PAGE W-8.

OPTIONAL:
208V/230V/460V/380V



CONFIDENTIAL DISCLOSURE:
This drawing is the property of the CAMPBELL GROUP of the SCOTT FETZER COMPANY and subject to return on demand. Its contents are confidential and must not be copied or submitted to outside parties for use or examination.

DRAWN BY	CHECKED BY	ENGINEERING APPROVAL
KMD	DMS	DMS
04/28/15	04/28/15	04/28/15

PANEL TYPE
7.5/10 SCROLL DATA
HEXAPLEX PANEL DATA

DWG. TYPE MISC

DWG. NO.
DATA TABLE

SHEET	SIZE
D-1	B

SEQUENCE OF OPERATIONS

During normal operation the PBMI controller will signal the Lead compressor to run when pressure drops below lead cut-in set-point and stop when the pressure reaches the lead cut-out set-point. Lead alternation to the next pump, will occur with each lead run signal or every 10-minutes (which ever happens first). If demand cannot be satisfied by the lead pump, the lag pump(s) will start and stop based upon the lag cut-in and cut-out set-points. When more than one pump is running, lead alternation will occur when the lowest cut-out set-point is satisfied, or after 10-minutes (which ever happens first). The HOA switch's place the pump in the following modes: Hand-turns pump on to run continuous. Off-disables pump from running. Auto-places pump in the "ready mode" and will start and stop based on sequence described above.

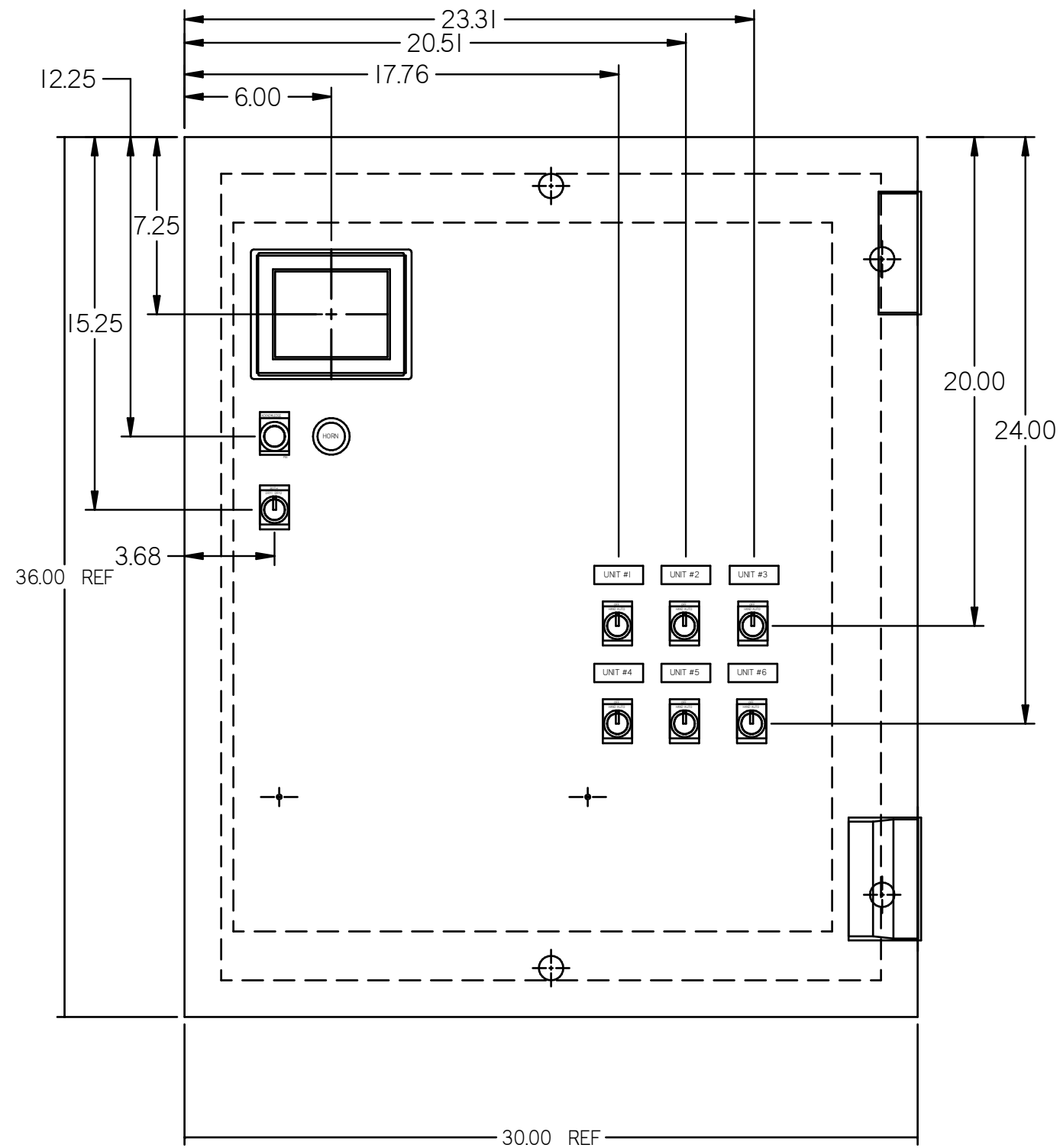
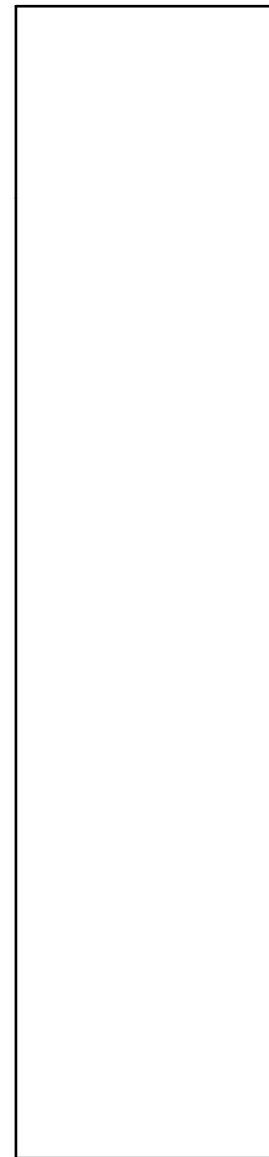
All plex configurations include a hardwired Back-up pressure switch circuit should a control failure occur. This circuit will call all pumps on and off based on the reserve pressure switch set-points.

Expandable systems include all control devices, operators, and programming for the maximum number of pumps (or plex) required. To expand the system: navigate to the "service screen" and enter the number of pumps.

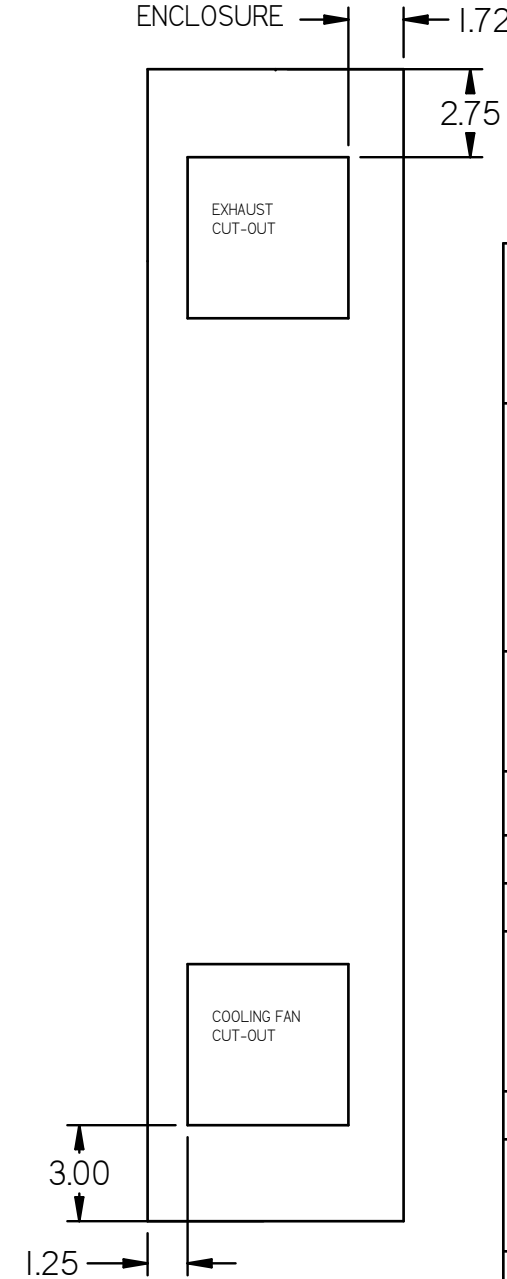
Additional information and descriptions can be accessed through the HMI "service info" screen by pressing Sequence of Operations button.

REV	REVISION	DATE	ECN	NAME	CHKD
B-1	RELEASE TO PRODUCTION	09/05/11	22545	CHR	DMS
C-1	BACNET CARD UPDATE ADD ISOLATION RELAYS	07/20/15	PXEC0110	AJL	KMD
D	ADDED FAN WIRING	9/4/18	PXEC0169	AKH	KMD

LEFT SIDE OF ENCLOSURE



RIGHT SIDE OF ENCLOSURE



OPTIONAL:	SINGLE CYLINDER AND SCROLLPUMPS	<input checked="" type="checkbox"/>
	DOUBLE-CYLINDER PUMPS	<input type="checkbox"/>
	TRIPLE-CYLINDER PUMPS	<input type="checkbox"/>
BACNET, WEBSVR,		



CONFIDENTIAL DISCLOSURE
This drawing is the property of the CAMPBELL GROUP of the SCOTT FETZER COMPANY and subject to return on demand. Its contents are confidential and must not be copied or submitted to outside parties for use or examination.

DRAWN BY	CHECKED BY	ENGINEERING APPROVAL
CHR	DMS	DMS
09/05/11	04/26/13	04/26/13

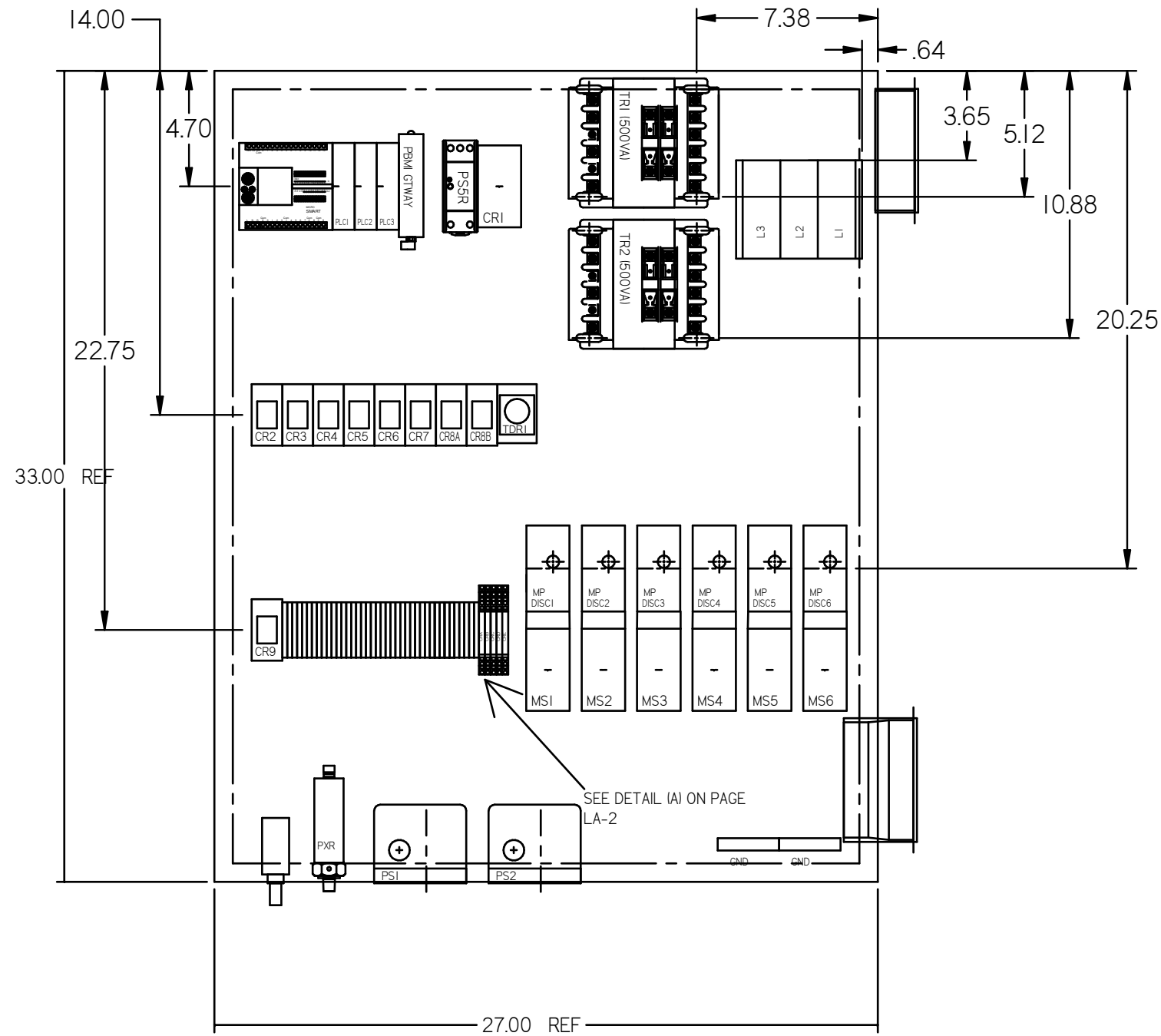
PANEL TYPE
HEX MEDICAL COMP
HMI, NFPA

DWG. TYPE LAYOUT A

DWG. NO. PXMI-A616 W

SHEET	SIZE
L-1	B

REV	REVISION	DATE	ECN	NAME	CHKD
B-1	RELEASE TO PRODUCTION	09/05/11	22545	CHR	DMS
C-1	BACNET CARD UPDATE ADD ISOLATION RELAYS	07/20/15	PXEC0110	AJL	KMD
D	ADDED FAN WIRING	9/4/18	PXEC0169	AKH	KMD



DETAIL (A)



OPTIONAL:	SINGLE CYLINDER AND SCROLLPUMPS	<input checked="" type="checkbox"/>
	DOUBLE-CYLINDER PUMPS	<input type="checkbox"/>
BACNET, WEBSVR, TRIPLE-CYLINDER PUMPS		<input type="checkbox"/>



CONFIDENTIAL DISCLOSURE
 This drawing is the property of the CAMPBELL GROUP of the SCOTT FETZER COMPANY and subject to return on demand. Its contents are confidential and must not be copied or submitted to outside parties for use or examination.

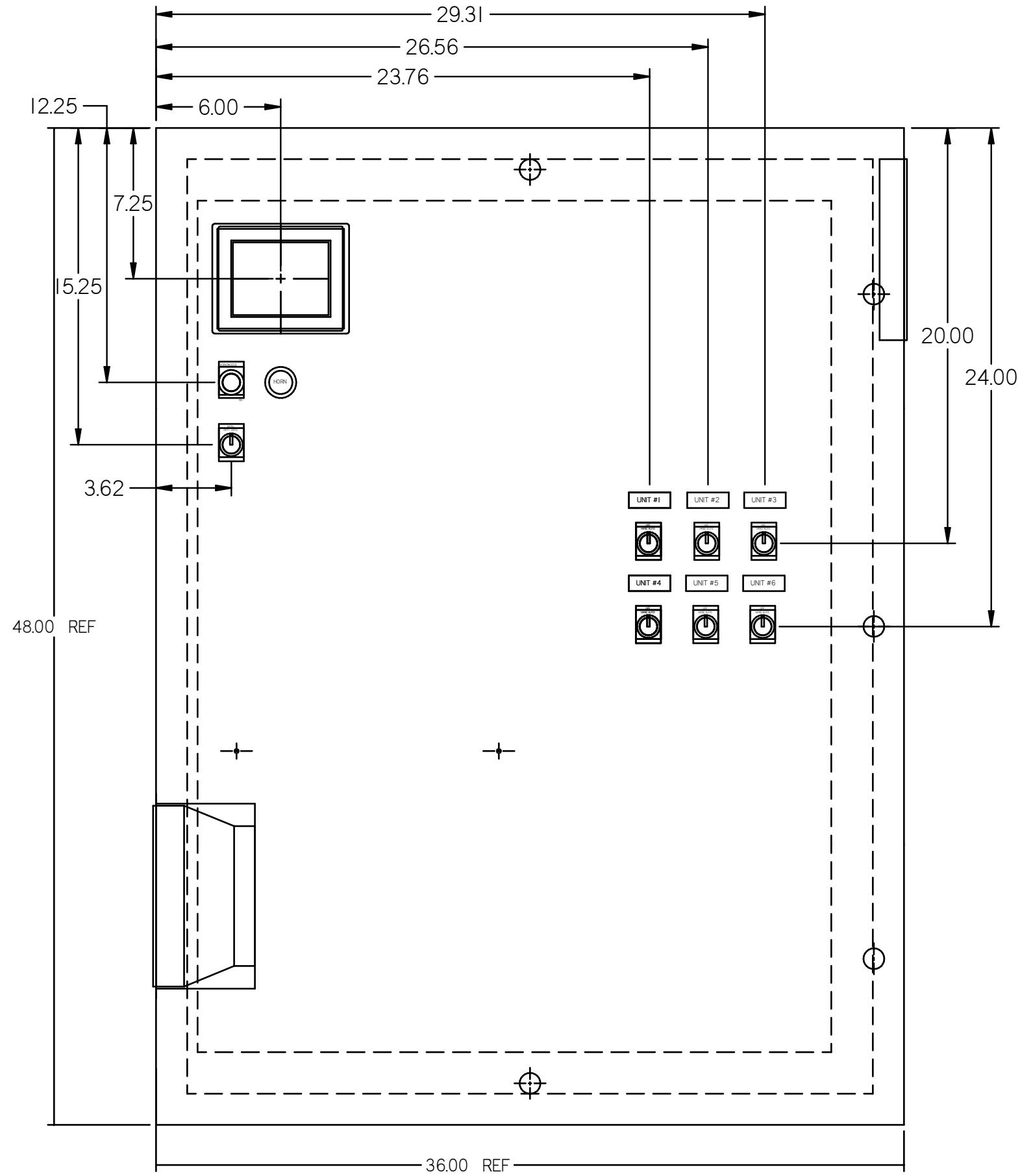
DRAWN BY	CHECKED BY	ENGINEERING APPROVAL
CHR	DMS	DMS
09/05/11	04/26/13	04/26/13

PANEL TYPE
 HEX MEDICAL COMP
 HMI, NFPA
 DWG. TYPE LAYOUT A

DWG. NO.
 PXMI-A616 W

SHEET	SIZE
L-2	B

REV	REVISION	DATE	ECN	NAME	CHKD
B-1	RELEASE TO PRODUCTION	09/05/11	22545	CHR	DMS
C-1	BACNET CARD UPDATE ADD ISOLATION RELAYS	07/20/15	PXEC0110	A-JL	KMD
D	ADDED FAN WIRING	9/4/18	PXEC0169	AKH	KMD



OPTIONAL:
BACNET, WEBSVR,



CONFIDENTIAL DISCLOSURE:
This drawing is the property of the CAMPBELL GROUP of the SCOTT FETZER COMPANY and subject to return on demand. Its contents are confidential and must not be copied or submitted to outside parties for use or examination.

DRAWN BY	CHECKED BY	ENGINEERING APPROVAL
CHR	DMS	DMS
09/05/11	04/26/13	04/26/13

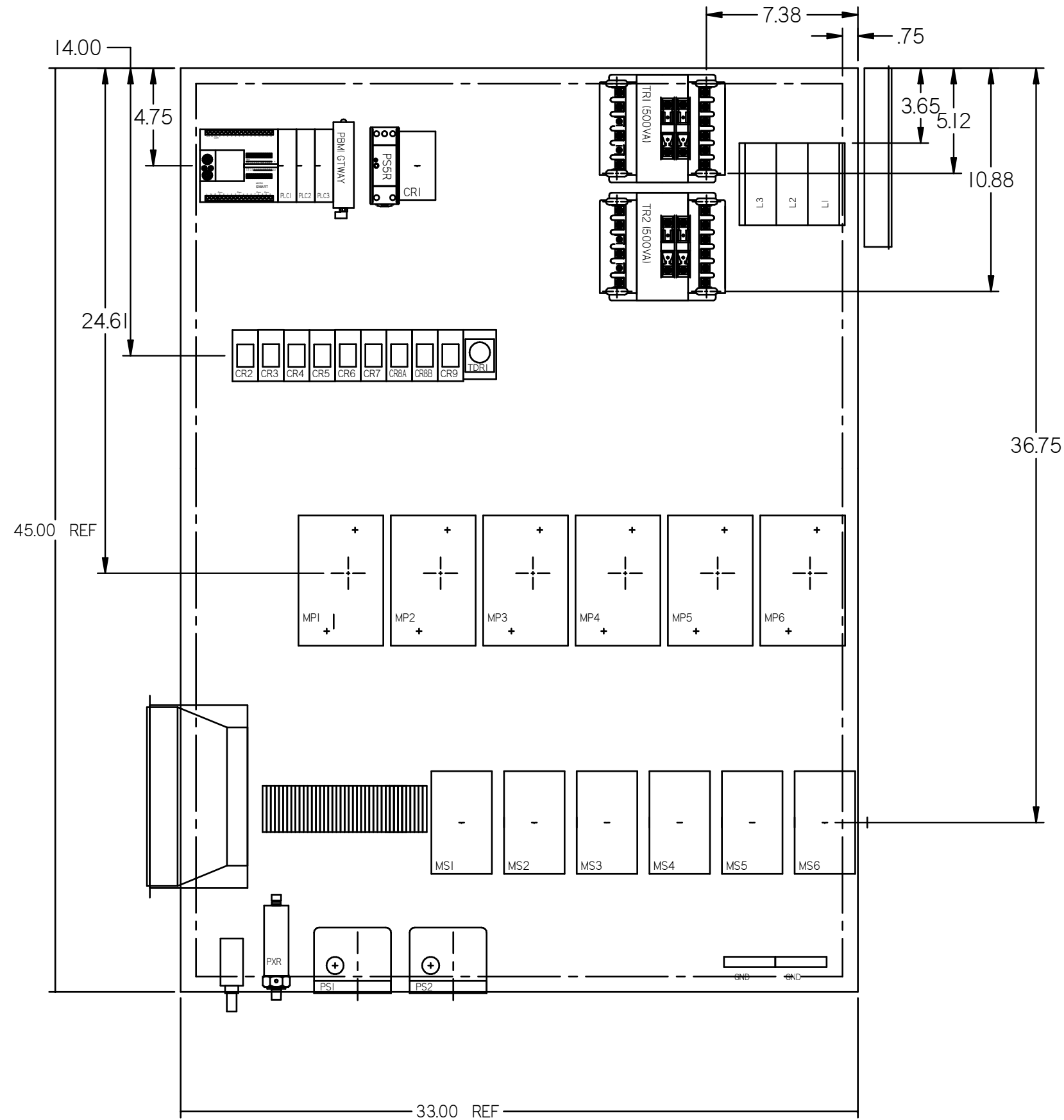
PANEL TYPE
HEX MEDICAL COMP
HMI, NFPA

DWG. TYPE LAYOUT B

DWG. NO. PXMI-A616 W

SHEET	SIZE
L-1	B

REV	REVISION	DATE	ECN	NAME	CHKD
B-1	RELEASE TO PRODUCTION	09/05/11	22545	CHR	DMS
C-1	BACNET CARD UPDATE ADD ISOLATION RELAYS	07/20/15	PXEC0110	AJL	KMD
D	ADDED FAN WIRING	9/4/18	PXEC0165	AKH	KMD



OPTIONAL:

BACNET, WEBSRVR,

CONFIDENTIAL DISCLOSURE:
This drawing is the property of the CAMPBELL GROUP of the SCOTT FETZER COMPANY and subject to return on demand. Its contents are confidential and must not be copied or submitted to outside parties for use or examination.

DRAWN BY	CHECKED BY	ENGINEERING APPROVAL
CHR	DMS	DMS
09/05/11	04/26/13	04/26/13

PANEL TYPE
HEX MEDICAL COMP
HMI, NFPA

DWG. TYPE LAYOUT B

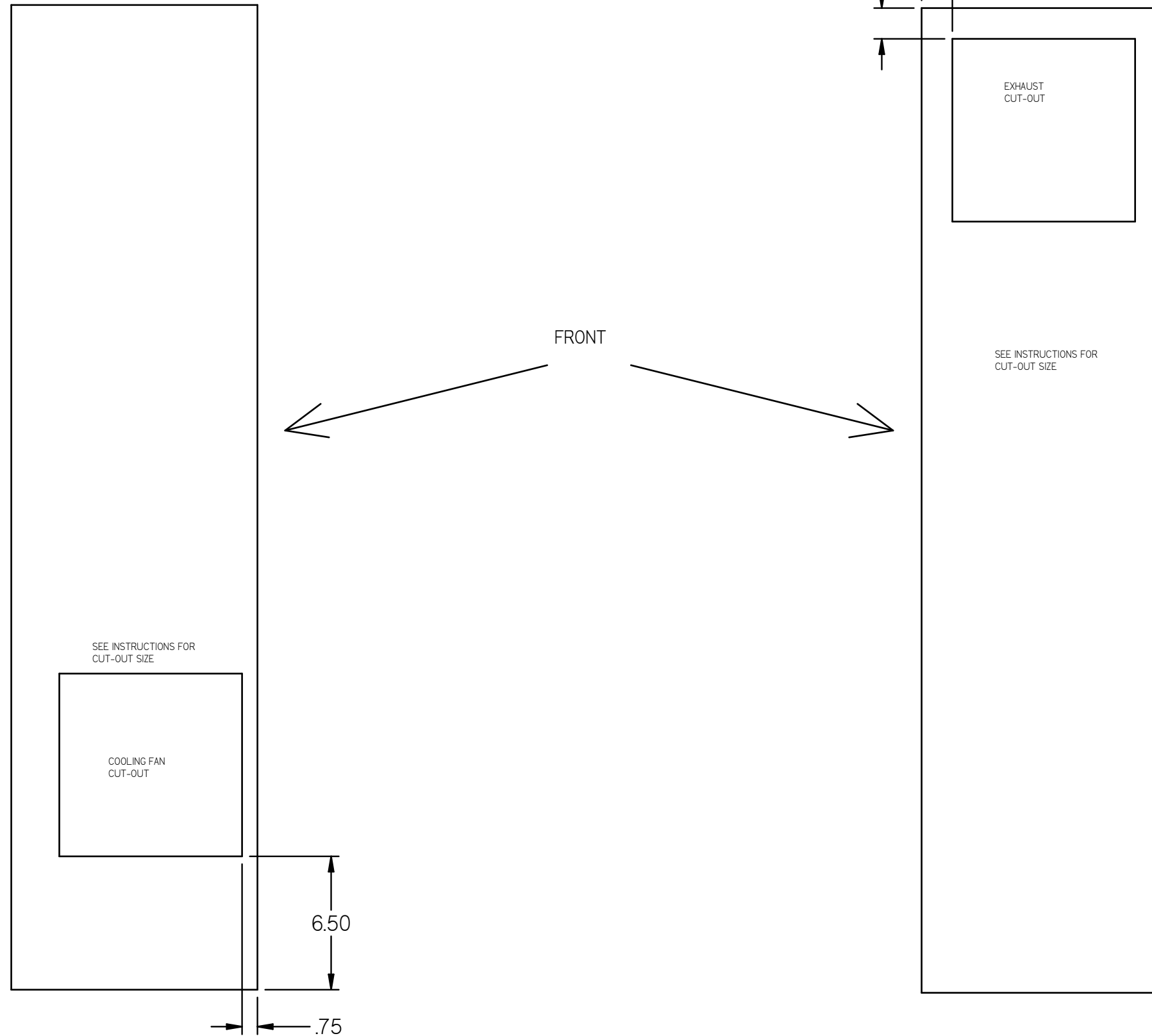
DWG. NO. PXMI-A616 W

SHEET	SIZE
L-2	B

REV	REVISION	DATE	ECN	NAME	CHKD
B-1	RELEASE TO PRODUCTION	09/05/11	22545	CHR	DMS
C-1	BACNET CARD UPDATE ADD ISOLATION RELAYS	07/20/15	PXEC0110	AJL	KMD
D	ADDED FAN WIRING	9/4/18	PXEC0169	AKH	KMD

LEFT SIDE OF ENCLOSURE

RIGHT SIDE OF ENCLOSURE



OPTIONAL:

BACNET, WEBSVR



CONFIDENTIAL DISCLOSURE
 This drawing is the property of the CAMPBELL GROUP of the SCOTT FETZER COMPANY and subject to return on demand. Its contents are confidential and must not be copied or submitted to outside parties for use or examination.

DRAWN BY	CHECKED BY	ENGINEERING APPROVAL
CHR	DMS	DMS
09/05/11	04/26/13	04/26/13

PANEL TYPE

HEX MEDICAL COMP
 HMI, NFPA

DWG. TYPE LAYOUT B

DWG. NO. PXMI-A616 W

SHEET	SIZE
L-3	B