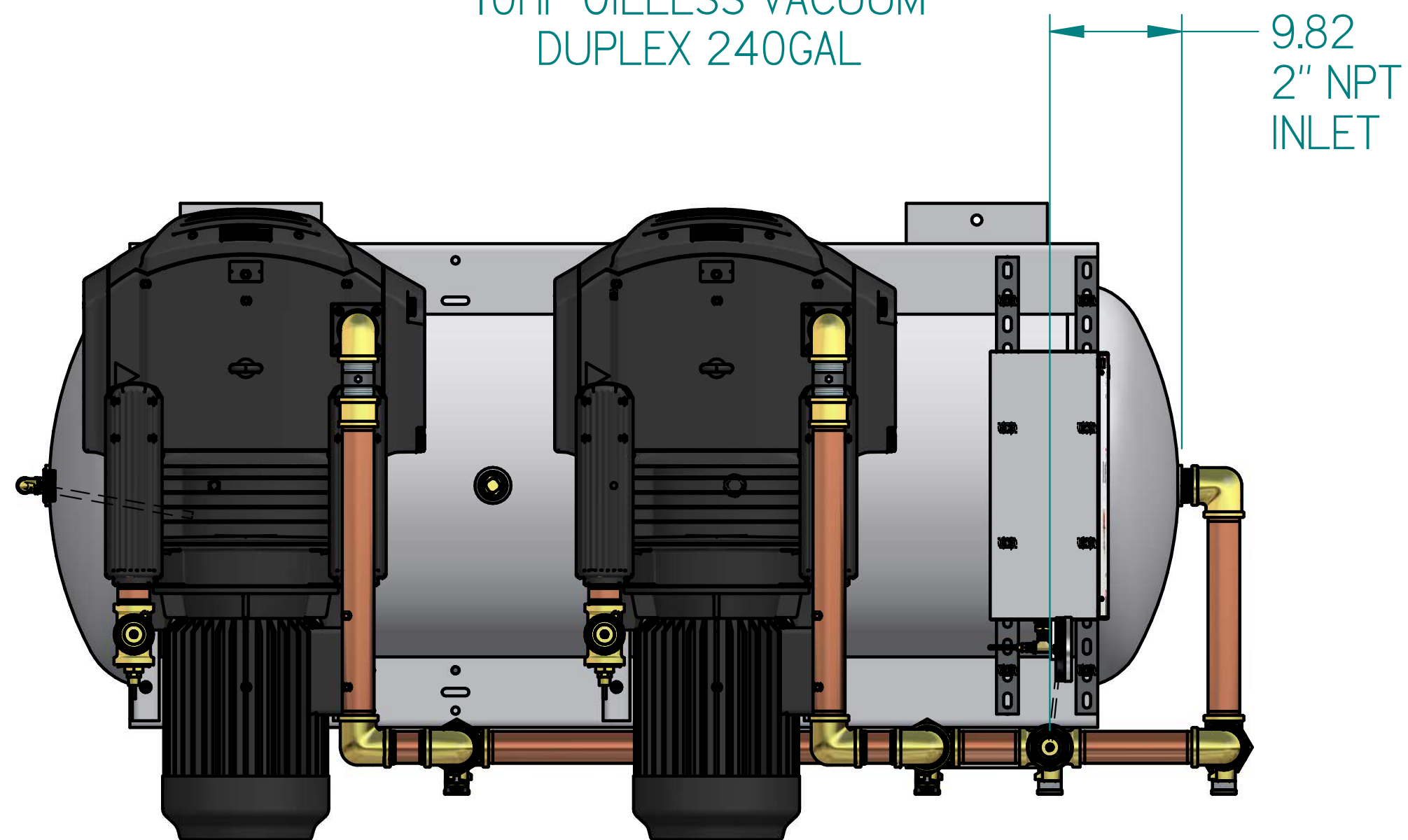


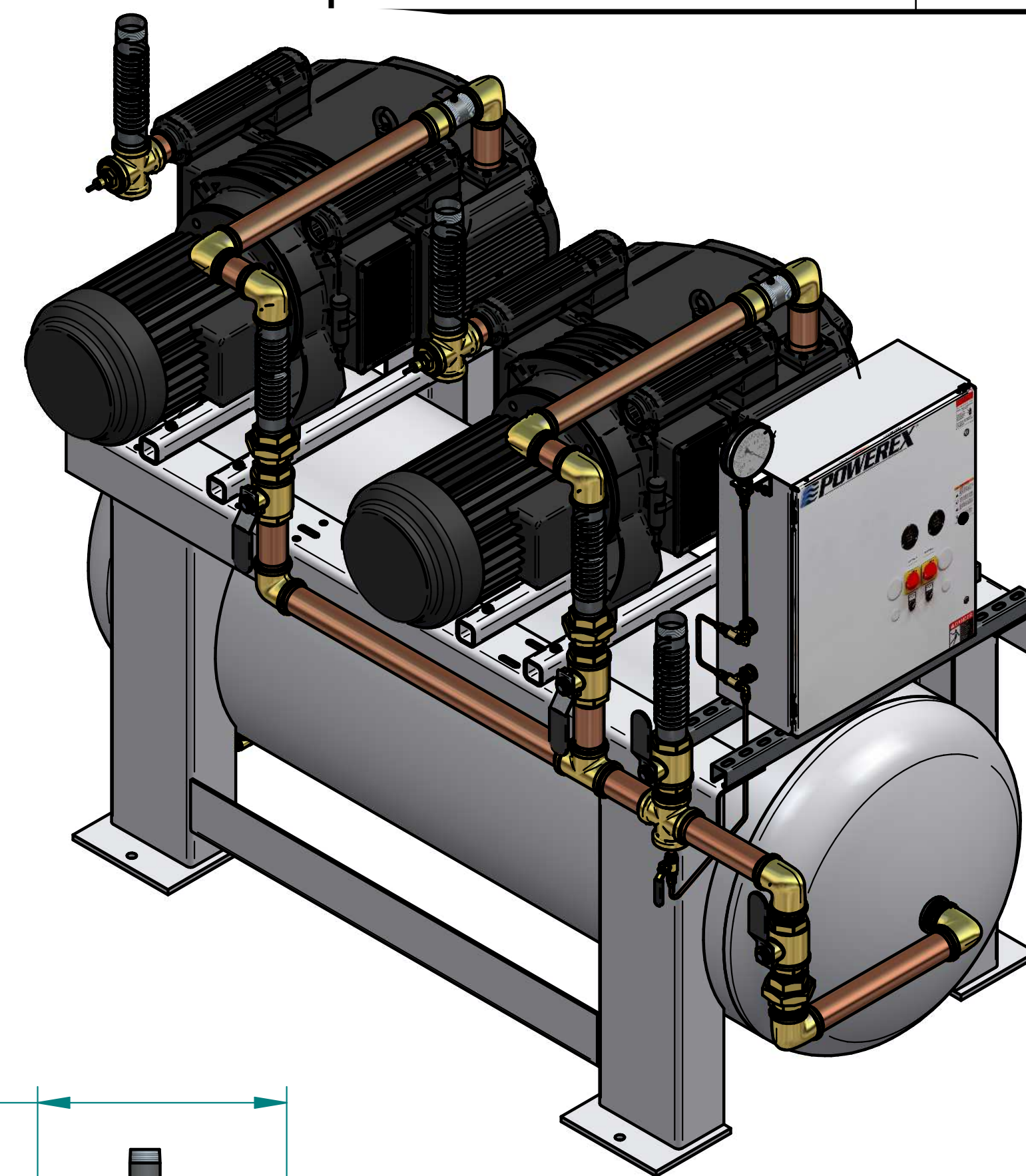
# VOTDI006KI

10HP OILLESS VACUUM  
 DUPLEX 240GAL

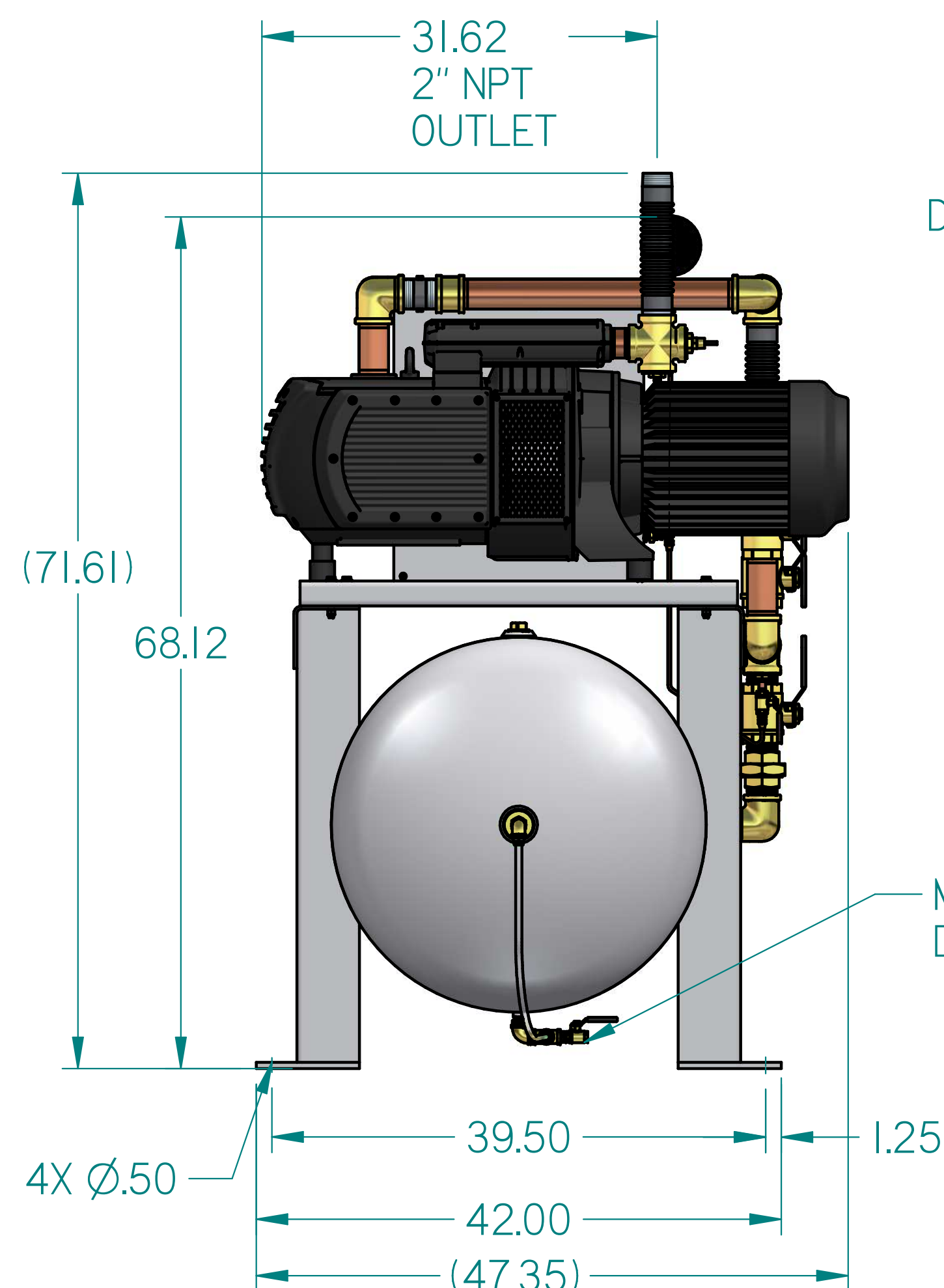
REVISION NOTES		
DESCRIPTION	ECN	PR/NOR
3D RELEASE	PXECO26I	N/A



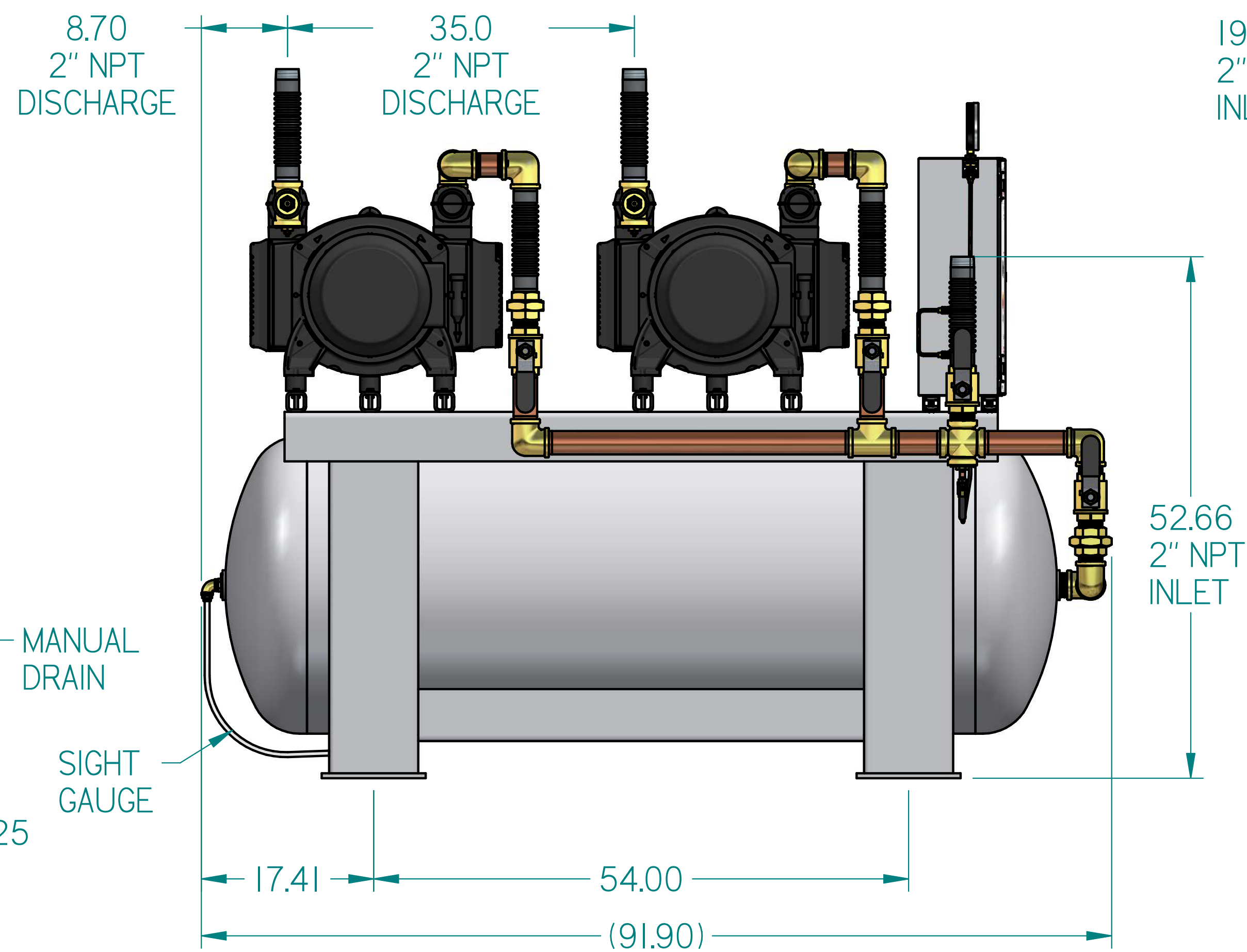
TOP VIEW



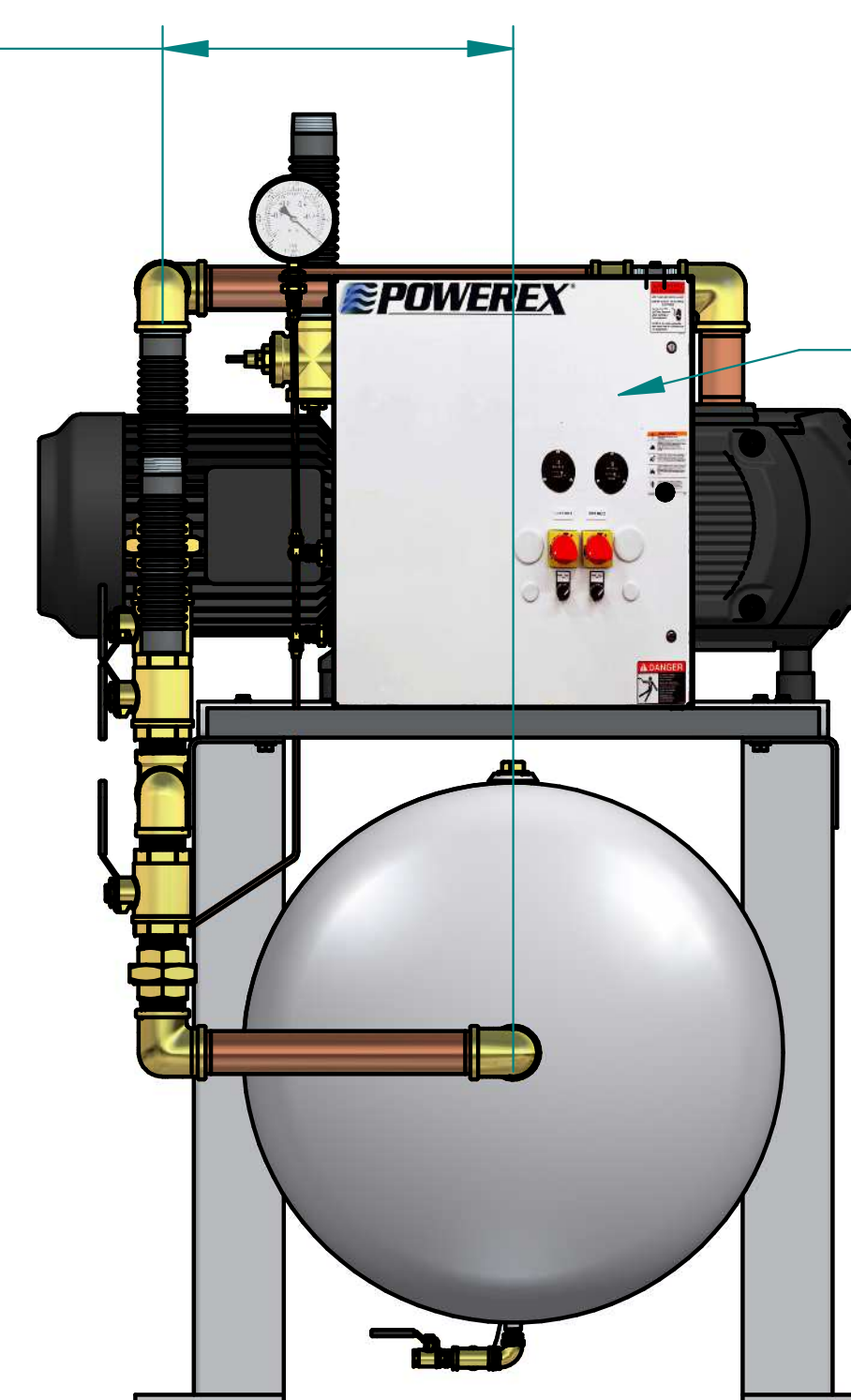
ISO VIEW



LEFT VIEW



FRONT VIEW



RIGHT VIEW

- NOTES:
1. APPROXIMATE WEIGHT: 2326 lbm
  2. A MINIMUM OF 24" CLEARANCE IS RECOMMENDED AROUND THE ENTIRE UNIT. CLEARANCE FOR CONTROL PANEL SHALL BE IN ACCORDANCE WITH OSHA/NEC REQUIREMENTS.
  3. SYSTEM DESIGNED IN COMPLIANCE WITH U.S. NFPA '99, LATEST EDITION.

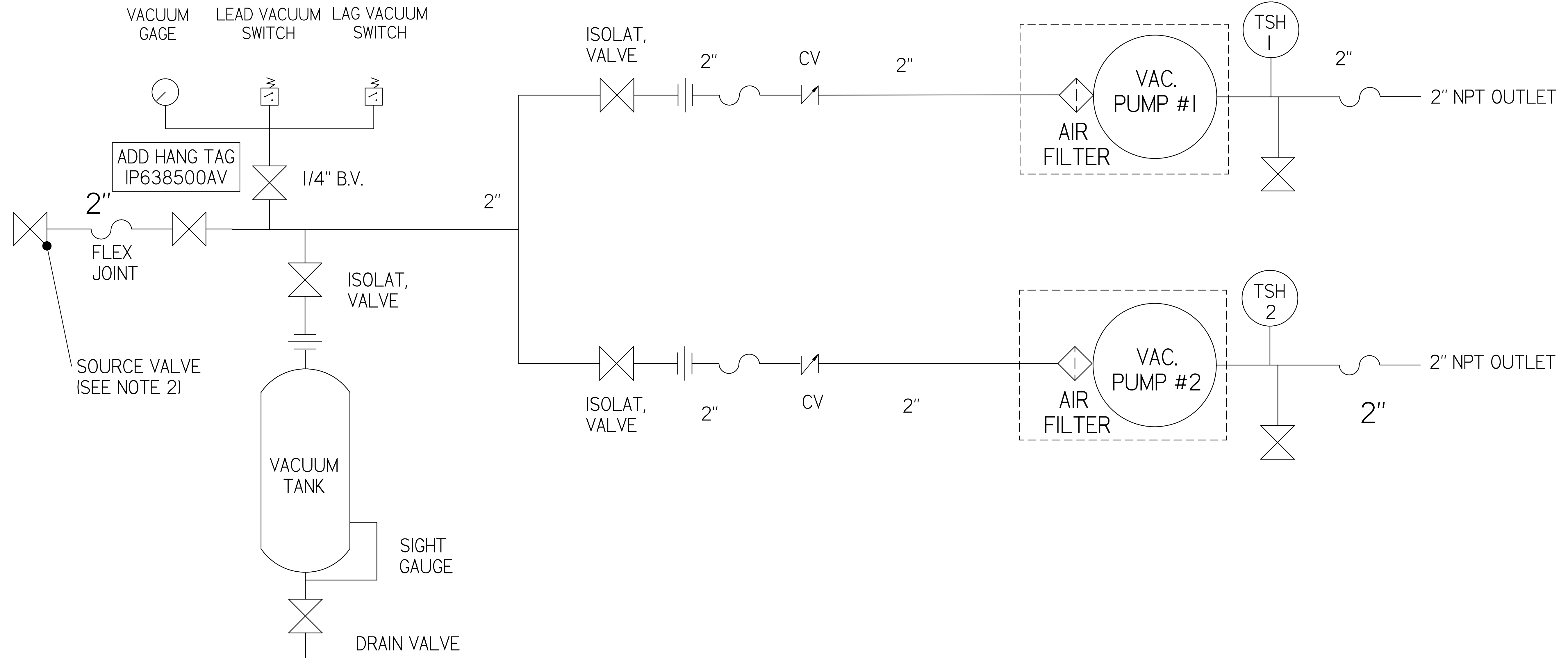
SYMBOL LEGEND		DRAWINGS TO CONFORM TO CURRENT REVISION OF THE FOLLOWING ANSI STANDARDS:	
TOLERANCES NOT SPECIFIED:		1:4:3 MULTI AND SECTIONAL VIEW DIMS	
DXXX ± .005		1:4:5 DIMENSIONING AND TOLERANCING	
DXXX ± .005		INCH	
DO NOT SCALE DRAWING FOR DIMENSIONS		SHEET 1 OF 2	
CONFIDENTIAL DISCLOSURE: This drawing is the property of POWEREX of the SCOTT FETTER COMPANY and is subject to return on demand. Its contents are confidential and must not be copied or submitted to outside parties for use or examination.		APPROVALS ON FILE IN PLM	
MATERIAL:		TATA 10-01-2016	
DESCRIPTION: 10HP OILLESS VACUUM DUPLEX 240GAL		DRAWING NUMBER: VOTDI006KI	
REVISION:		SIZE: D	



# VOTDI006KI

10HP OILLESS VACUUM  
 DUPLEX 240GAL  
 SYSTEM FLOW DIAGRAM

REVISION NOTES		
DESCRIPTION	ECN	PR/NOR
3D RELEASE	PXEC026I	N/A



## LEGEND

	TEMP. SWITCH		VACUUM SWITCH
	AIR FILTER		CHECK VALVE
	BALL VALVE		FLEX LINE
			UNION

NOTES:  
 1) TSH - TEMPERATURE SWITCH HIGH  
 2) PER NFPA THE SYSTEM WILL REQUIRE A SOURCE VALVE ( SUPPLIED BY OTHERS )

SYMBOL LEGEND		DRAWINGS TO CONFORM TO CURRENT REVISION OF THE FOLLOWING ANSI STANDARDS:	
		#14.3 MULTI AND SECTIONAL VIEW DWGS	
		#14.5 DIMENSIONING AND TOLERANCING	
TOLERANCES NOT SPECIFIED	SOLID EDGE DRAWING	DO NOT SCALE DRAWING FOR DIMENSIONS	
0.004 ± .001	INCH	SHEET 2 OF 2	SCALE 1:1
0.0005 ± .0001	INCH		
CONFIDENTIAL DISCLOSURE This drawing is the property of POWEREX of the SCOTT FETTER COMPANY and is subject to return on demand. Its contents are confidential and must not be copied or submitted to outside parties for use or examination.		AUTHOR	APPROVALS ON FILE IN PLM
MATERIAL		TATA	10-01-2018
ITEM ID			
DESCRIPTION 10HP OILLESS VACUUM DUPLEX 240GAL		DRAWING NUMBER VOTDI006KI	REVISION SIZE D

POWEREX