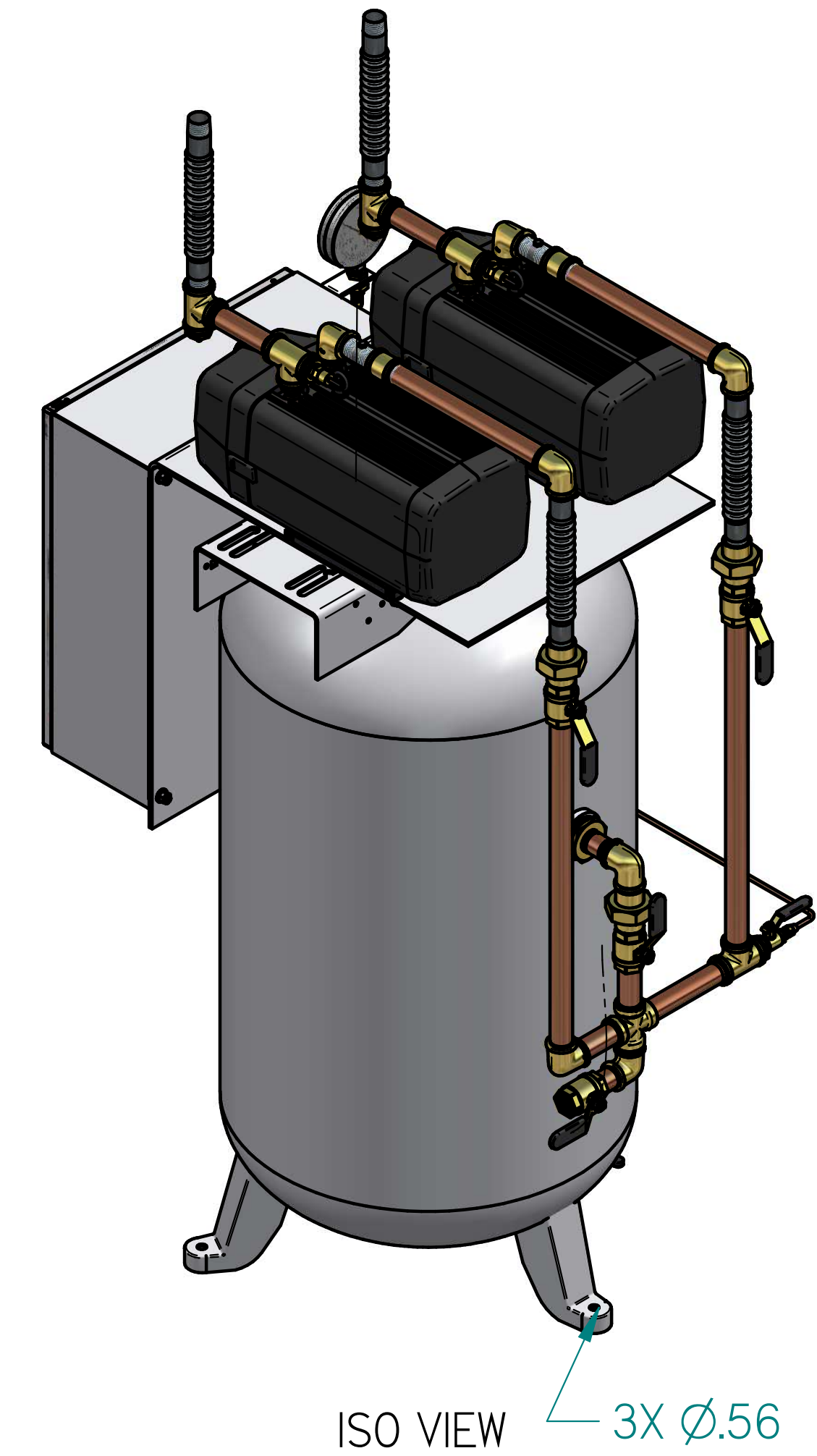
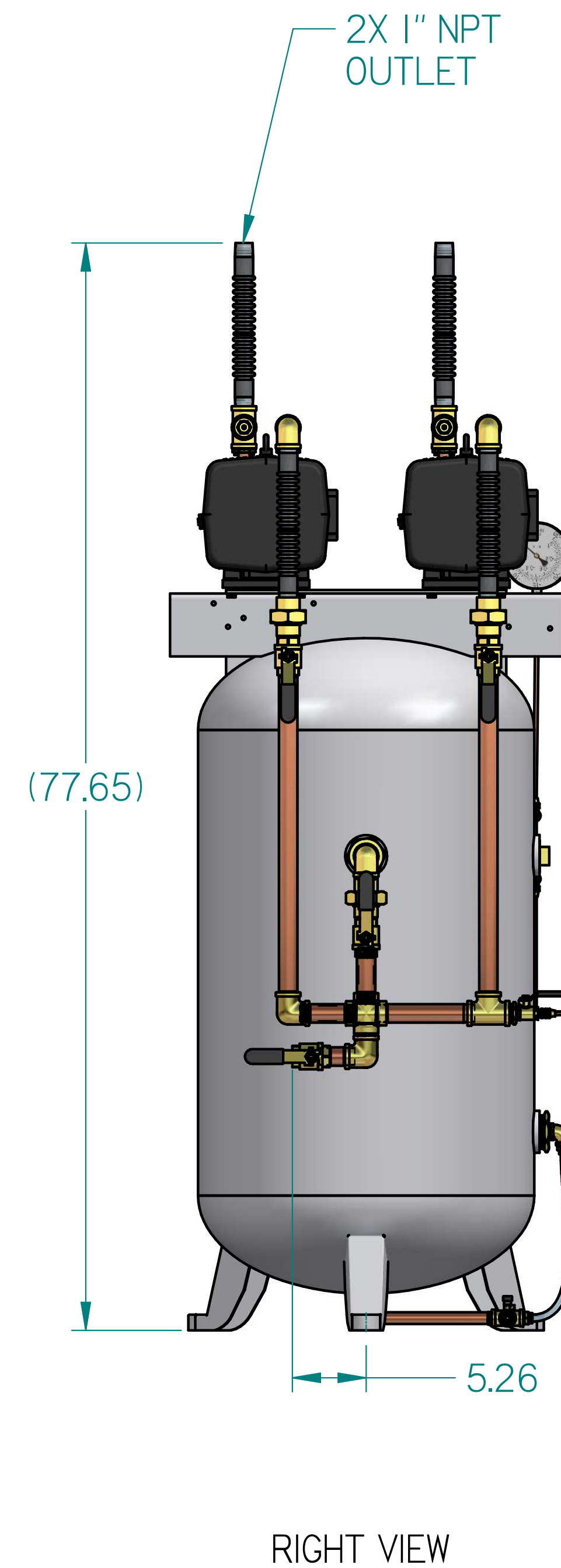
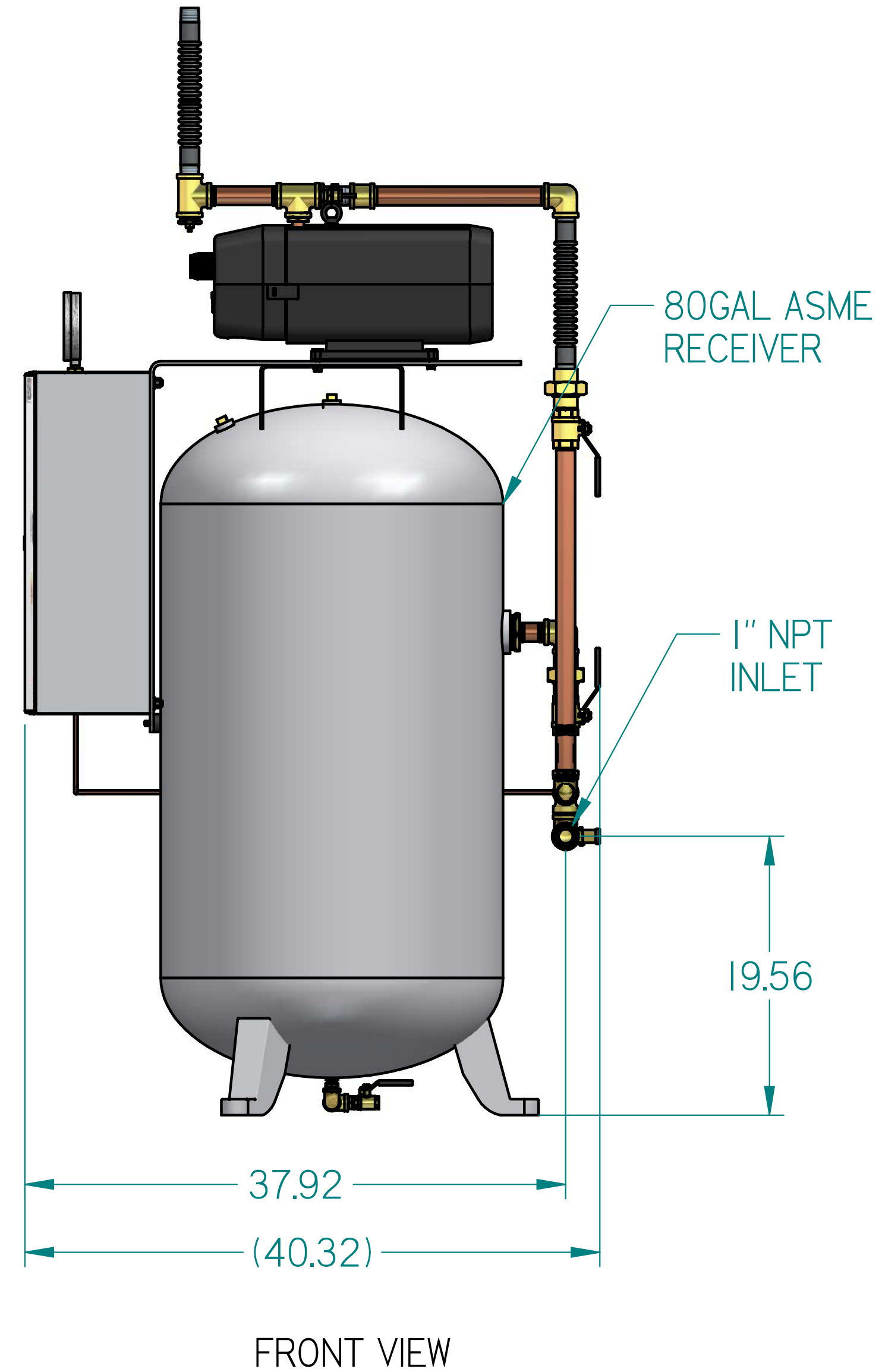
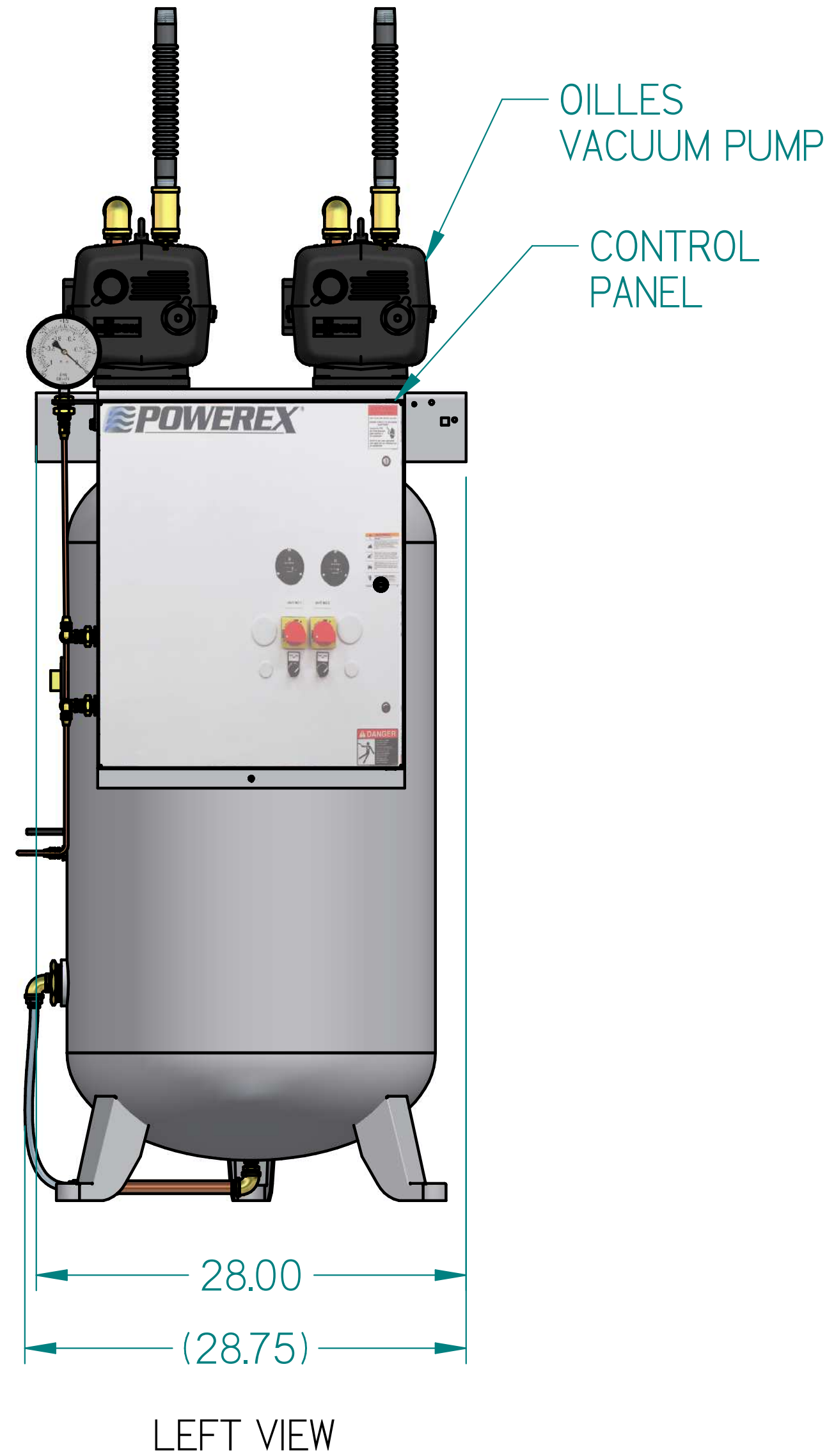
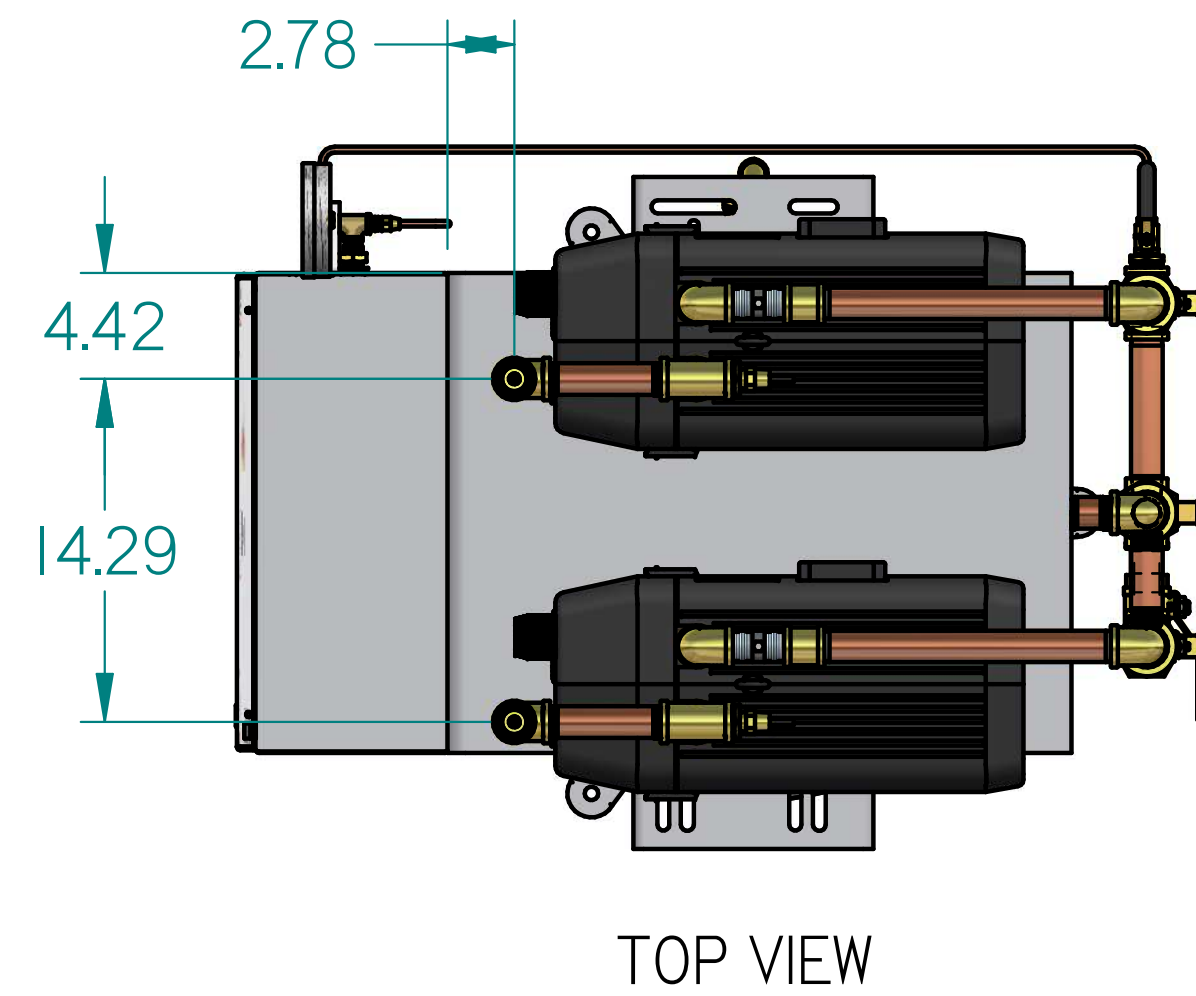


# VV0TD0153KI

DUPLEX OILLESS VACUUM  
1.5 HP 80 GAL VERT

| REVISION NOTES |          |        |
|----------------|----------|--------|
| DESCRIPTION    | ECN      | PR/NOR |
| 3D RELEASE     | PXEC026I | N/A    |



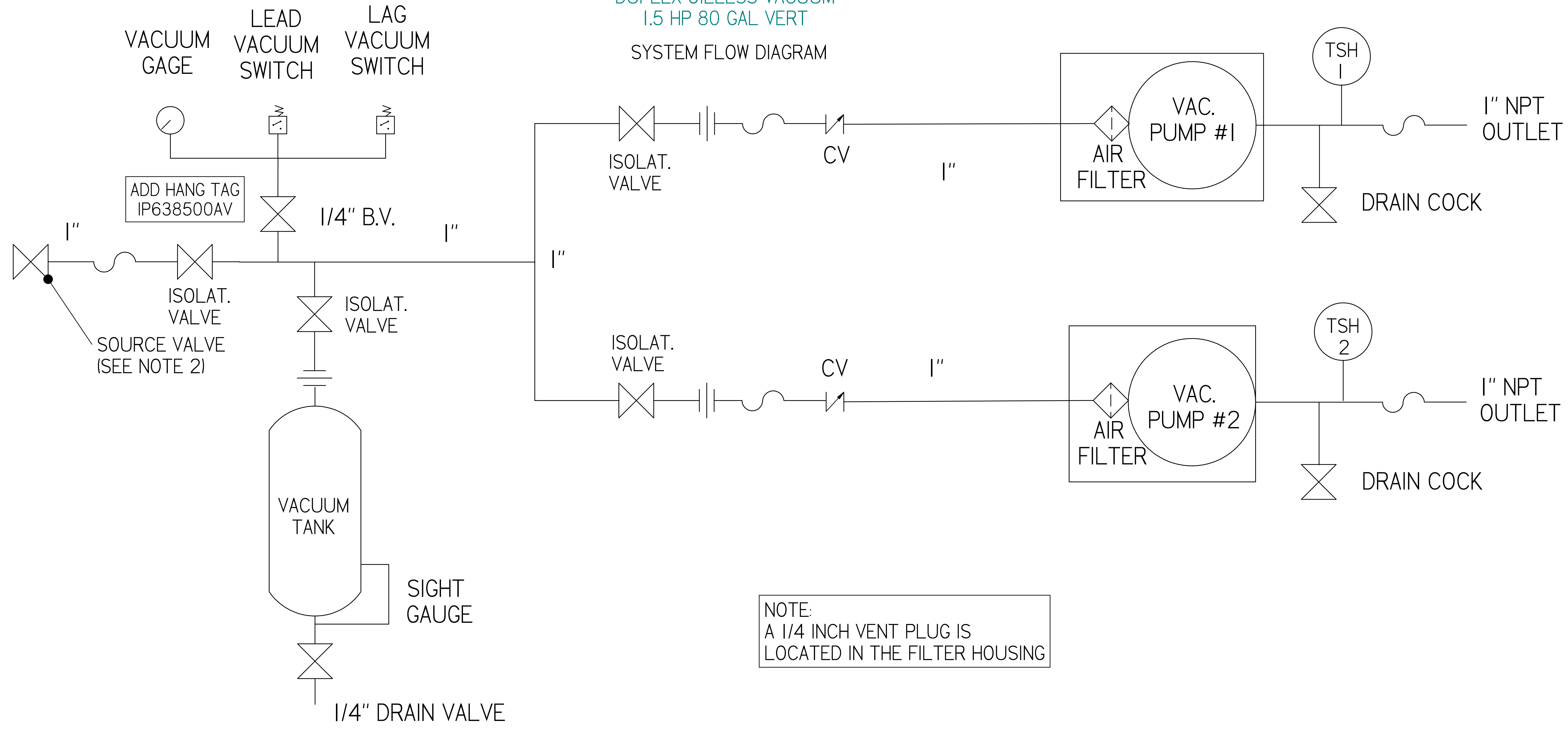
- NOTES
1. APPROXIMATE WEIGHT: 454 lbm
  2. A MINIMUM OF 24" CLEARANCE IS RECOMMENDED AROUND THE ENTIRE UNIT. CLEARANCE FOR CONTROL PANEL SHALL BE IN ACCORDANCE WITH OSHA/NEC REQUIREMENTS.
  3. SYSTEM DESIGNED IN COMPLIANCE WITH U.S. NFPA '99, LATEST EDITION.

| SYMBOL LEGEND   |   | DRAWINGS TO CONFORM TO CURRENT REVISION OF THE FOLLOWING ANSI STANDARDS: |                  |                          |     |
|---|---|--|------------------|--------------------------|-----|
|   |   | #14.3 MULTI AND SECTIONAL VIEW DWGS                                      |                  |                          |     |
|   |   | #14.5 DIMENSIONING AND TOLERANCING                                       |                  |                          |     |
| TOLERANCES NOT SPECIFIED  | SOLID EDGE DRAWING  | DO NOT SCALE DRAWING FOR DIMENSIONS                                      |                  |                          |     |
| 0.00X ± .005  |   | SHEET 1 OF 2   |                  | SCALE                    | 1:8 |
| 0.00X ± .005  |   |  |                  |                          |     |
| CONFIDENTIAL DISCLOSURE: This drawing is the property of POWEREX or the SCOTT FETTER COMPANY and is subject to return on demand. Its contents are confidential and must not be copied or submitted to outside parties for use or examination. |   | AUTHOR   | ORIGINATION DATE | APPROVALS ON FILE IN PLM |     |
|   |   | TATA   | 10-01-2019       |                          |     |
| ITEM ID   | POWEREX   |  |                  |                          |     |
| MATERIAL  | 150 PRODUCTION DRIVE, HARRISON OH 45030<br>ISS: 7/26/2019 |  |                  |                          |     |
| DESCRIPTION   | DRAWING NUMBER  | REVISION   | SIZE             |                          |     |
| DUPLEX OILLESS VACUUM 1.5 HP 80 GAL VERT  | VV0TD0153KI   |  | D                |                          |     |

# VVOTD0153K1

DUPLEX OILLESS VACUUM  
1.5 HP 80 GAL VERT  
SYSTEM FLOW DIAGRAM

| REVISION NOTES |          |        |
|----------------|----------|--------|
| DESCRIPTION    | ECN      | PR/NOR |
| 3D RELEASE     | PXEC026I | N/A    |



NOTE:  
A 1/4 INCH VENT PLUG IS  
LOCATED IN THE FILTER HOUSING

### LEGEND

|  |              |  |               |
|--|--------------|--|---------------|
|  | TEMP. SWITCH |  | VACUUM SWITCH |
|  | AIR FILTER   |  | CHECK VALVE   |
|  | BALL VALVE   |  | FLEX LINE     |
|  |              |  | UNION         |

NOTES:  
1) TSH - TEMPERATURE SWITCH HIGH  
2) PER NFPA THE SYSTEM WILL REQUIRE A SOURCE VALVE (SUPPLIED BY OTHERS)



|   |                    |   |                          |
|---|--------------------|---|--------------------------|
| SYMBOL LEGEND   |                    | DRAWINGS TO CONFORM TO CURRENT REVISION OF THE FOLLOWING ANSI STANDARDS:<br>#14.3 MULTI AND SECTIONAL VIEW DWGS<br>#14.5 DIMENSIONING AND TOLERANCING |                          |
| TOLERANCES NOT SPECIFIED  | SOLID EDGE DRAWING | DO NOT SCALE DRAWING FOR DIMENSIONS   |                          |
| 0.001 ± .001  | INCH               | SHEET 2 OF 2  | SCALE 1:1                |
| CONFIDENTIAL DISCLOSURE<br>This drawing is the property of POWEREX of the SCOTT FETTER COMPANY and is subject to return on demand. Its contents are confidential and must not be copied or submitted to outside parties for use or examination. |                    | AUTHOR  | APPROVALS ON FILE IN PLM |
| MATERIAL  |                    | TATA  | 10-01-2019               |
| DESCRIPTION<br>DUPLEX OILLESS VACUUM 1.5 HP 80 GAL VERT   |                    | DRAWING NUMBER<br>VVOTD0153K1   | SIZE<br>D                |