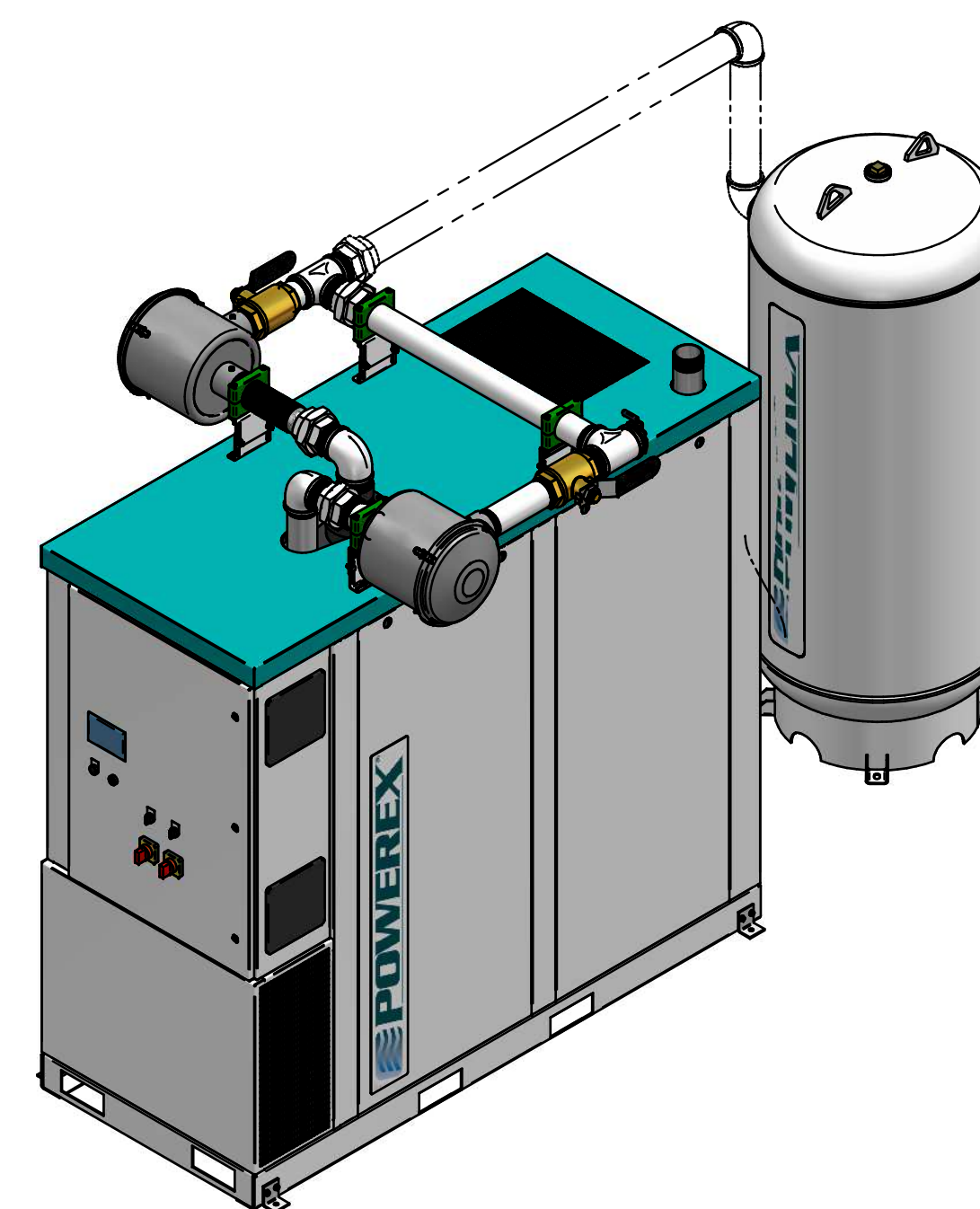
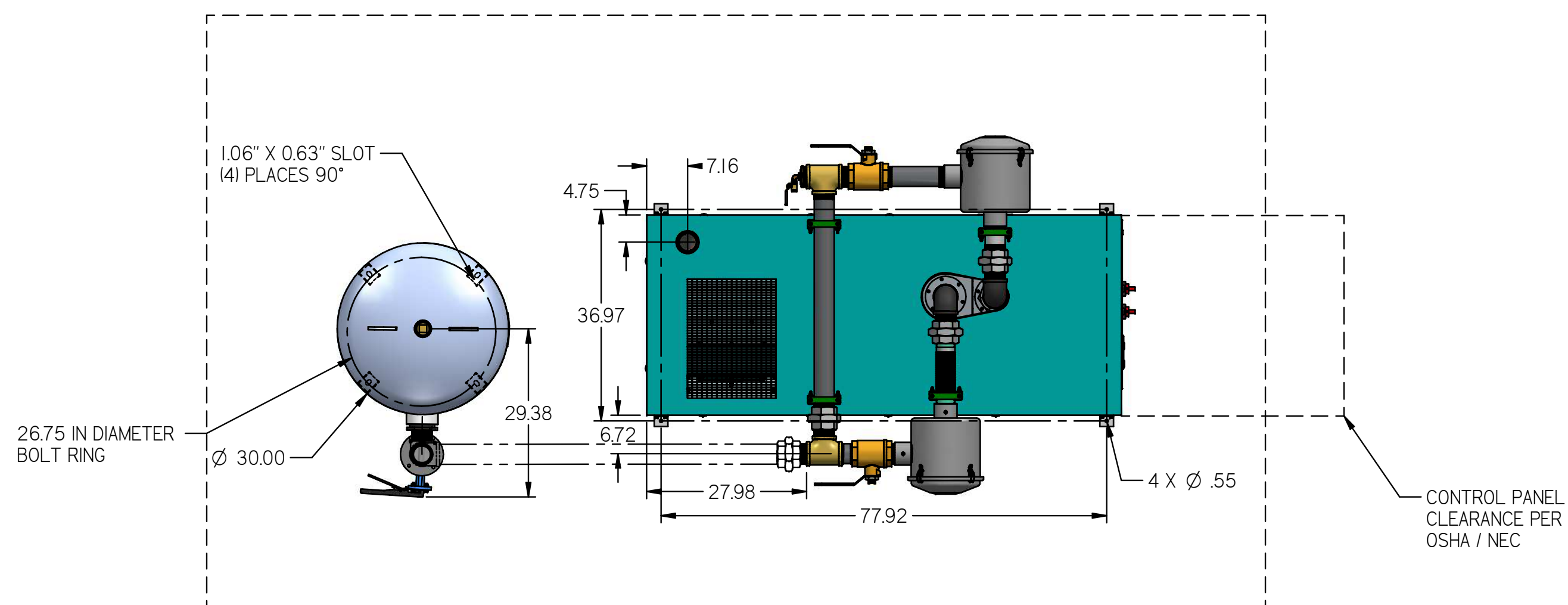


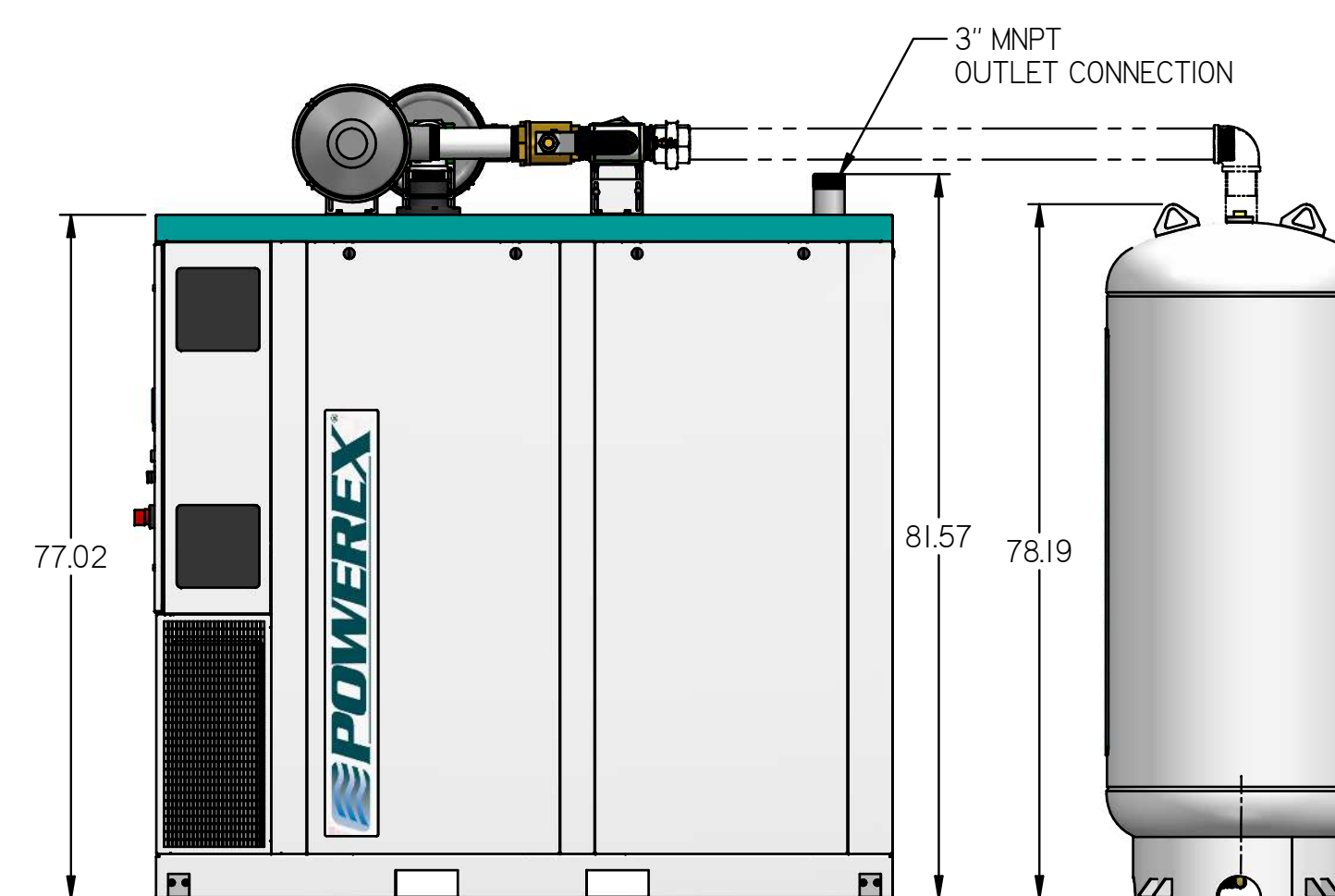
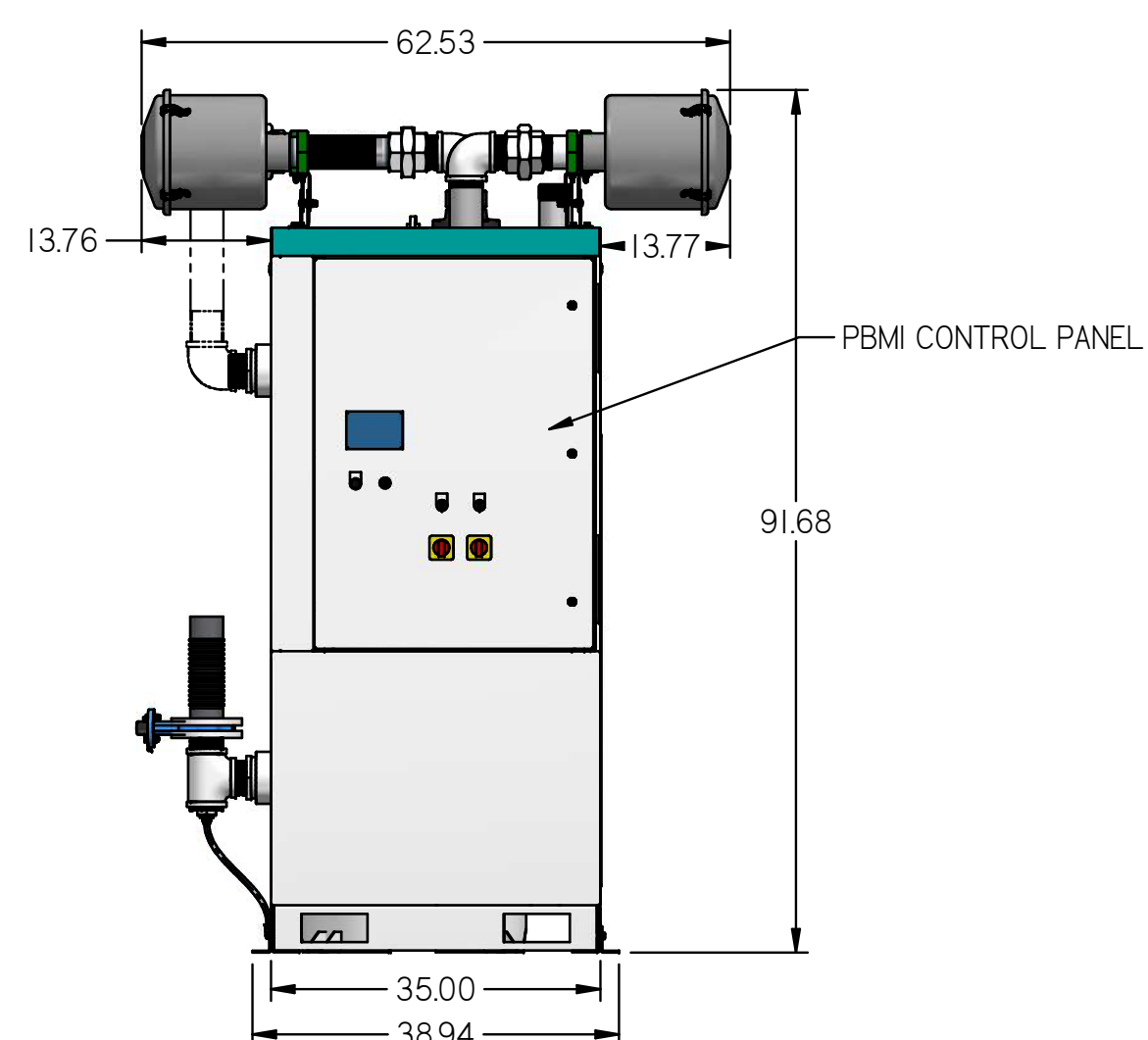
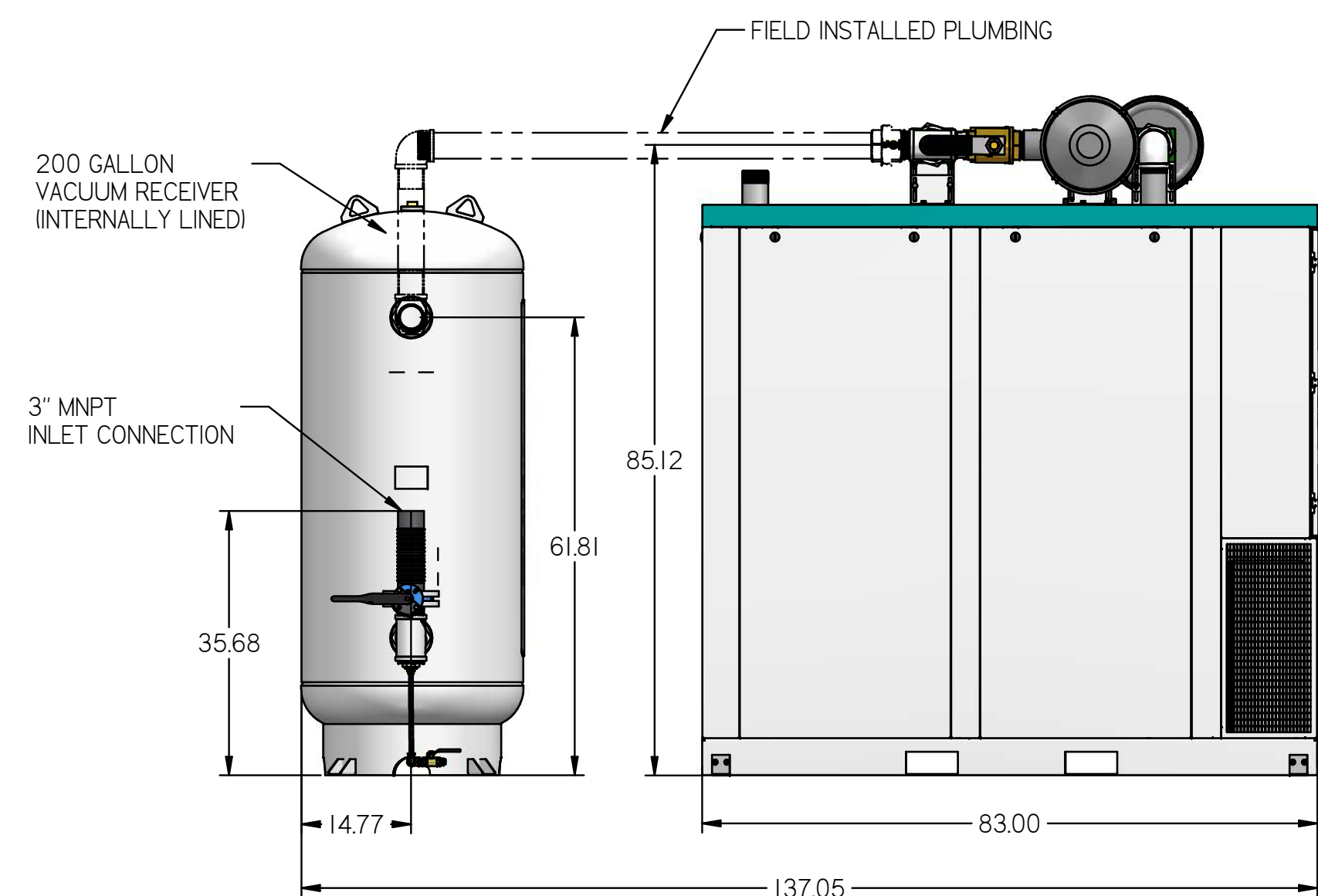
LCEDI005

LAB CLAW ENCLOSED DUPLEX 10 HP 200 GAL

REVISION NOTES		
DESCRIPTION	ECN	PR/NOR
PRODUCTION RELEASE	PXEC0099	N/A



24" RECOMMENDED
MAINTENANCE CLEARANCE



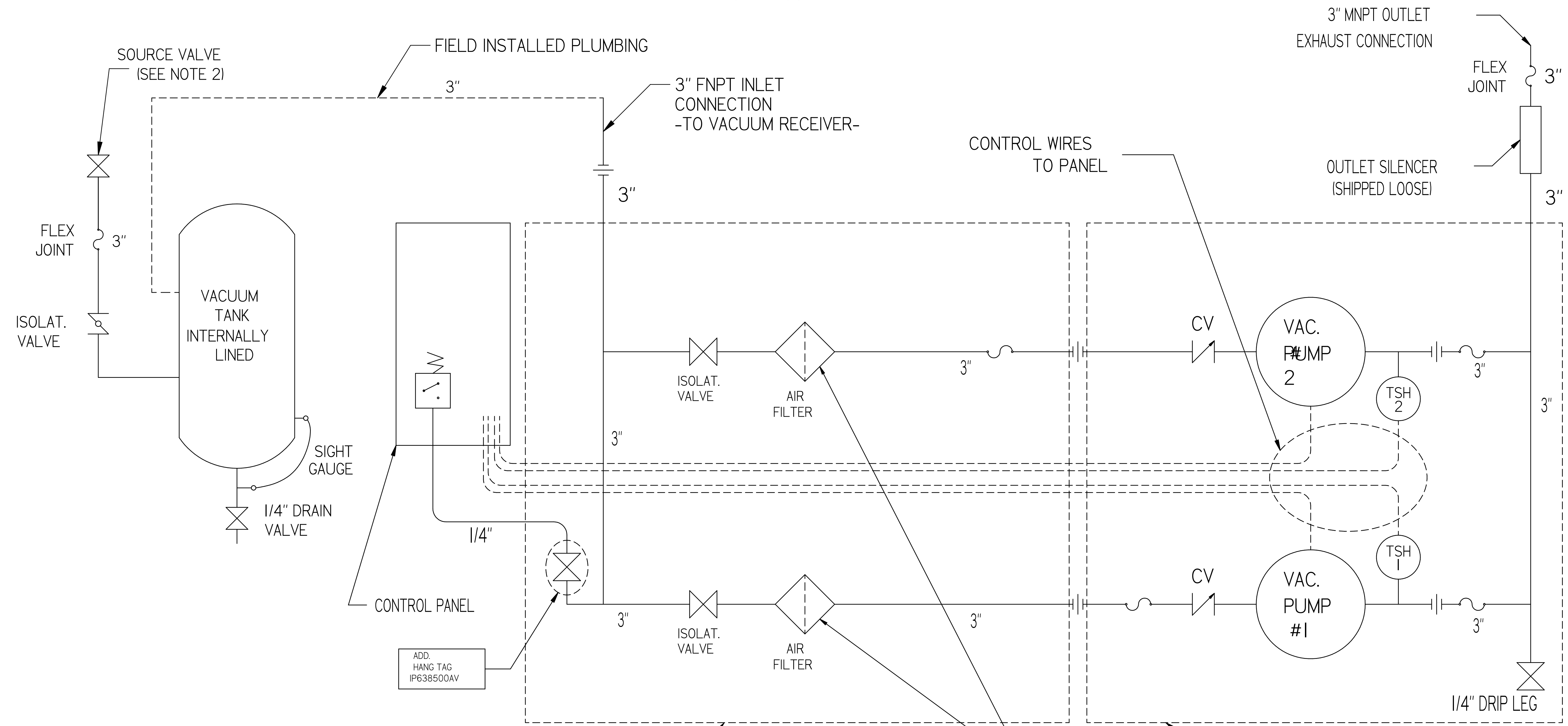
- NOTES:
- APPROX SYSTEM WEIGHT: 3898 LB
 - FINAL SYSTEM DIMENSIONS DEPENDENT UPON INSTALLATION CONFIGURATION. MAINTENANCE CLEARANCE MUST BE MAINTAINED IN INSTALLATION CONFIGURATION.
 - SHEET 1: UNIT BUILD
 - SHEET 2: FLOW SCHEMATIC

SYMBOL LEGEND		DRAWINGS TO CONFORM TO CURRENT REVISION OF THE FOLLOWING ANSI STANDARDS:		
		Y14.3 MULTI AND SECTIONAL VIEW DIMS		
		Y14.5 DIMENSIONING AND TOLERANCING		
TOLERANCES NOT SPECIFIED:	SOLID EDGE DRAWING	DO NOT SCALE DRAWING FOR DIMENSIONS		
0.XXX ± .010	INCH	SHEET 1 OF 2	SCALE 1:20	
0.XXX ± 0.050				
CONFIDENTIAL DISCLOSURE This drawing is the property of POWEREX of the SCOTT FETTER COMPANY and is subject to return on demand. Its contents are confidential and must not be copied or submitted to outside parties for use or examination.		AUTHOR	APPROVALS ON FILE IN PLM	
		gseaver	1/24/2019	
TITLE: 718805				
MATERIAL: N/A				
DESCRIPTION: LAB CLAW ENCLOSED DUPLEX 10 HP 200 GAL		DRAWING NUMBER: LCEDI005	REVISION: B	SIZE: D

REVISION NOTES		
DESCRIPTION	ECN	PR/NOR
PRODUCTION RELEASE	PXEC0099	N/A

LCEDI005

LAB CLAW ENCLOSED
 DUPLEX 10 HP 200 GAL



ADD.
 HANG TAG
 IP638500AV

NOTE:
 A 1/4 INCH VENT PLUG IS
 LOCATED IN EACH FILTER HOUSING.

INLET FILTER ASSEMBLY
 (SHIPPED LOOSE)

VACUUM UNIT ENCLOSURE

- NOTES:
- 1) TSH - TEMPERATURE SWITCH HIGH
 - 2) PER NFPA THE SYSTEM WILL REQUIRE A SOURCE VALVE (SUPPLIED BY OTHERS).
 - 3) OUTLET SILENCER AND FLEX HOSES SHIP LOOSE FOR FIELD INSTALLATION.
 - 4) INLET FILTER ASSEMBLY SHIPS LOOSE FOR FIELD INSTALLATION.

LEGEND

	TEMP. SWITCH		VACUUM TRANSDUCER
	AIR FILTER		CHECK VALVE
	BALL VALVE		FLEX LINE
			UNION

SYMBOL LEGEND		DRAWINGS TO CONFORM TO CURRENT REVISION OF THE FOLLOWING ANSI STANDARDS:		
TOLERANCES NOT SPECIFIED:		Y14.3 MULTI-VIEW AND SECTIONAL VIEW DIMS		
0.001 ± 0.001		Y14.5 DIMENSIONING AND TOLERANCING		
SOLID EDGE DRAWING		DO NOT SCALE DRAWING FOR DIMENSIONS		
INCH		SHEET 2 OF 2	SCALE	1:1
CONFIDENTIAL DISCLOSURE		APPROVALS ON FILE IN PLM		
This drawing is the property of POWEREX of the SCOTT FETTER COMPANY and is subject to return on demand. Its contents are confidential and must not be copied or submitted to outside parties for use or examination.		AUTHOR	ORIGINATION DATE	
		gseaver	1/24/2019	
ITEM # 718805				
MATERIAL N/A		150 PRODUCTION DRIVE, HARRISON OH 45030 888-768-7079		
DESCRIPTION LAB CLAW ENCLOSED DUPLEX 10 HP 200 GAL		DRAWING NUMBER LCEDI005	REVISION B	SIZE D