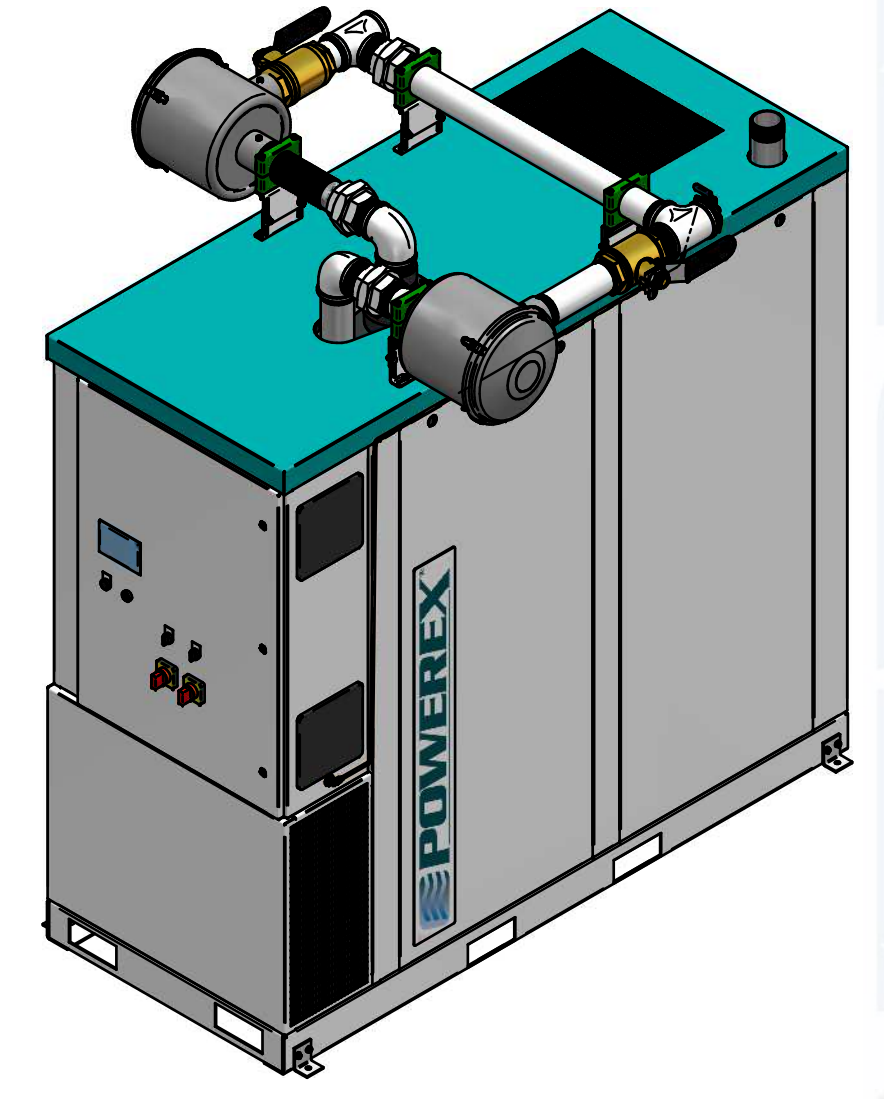
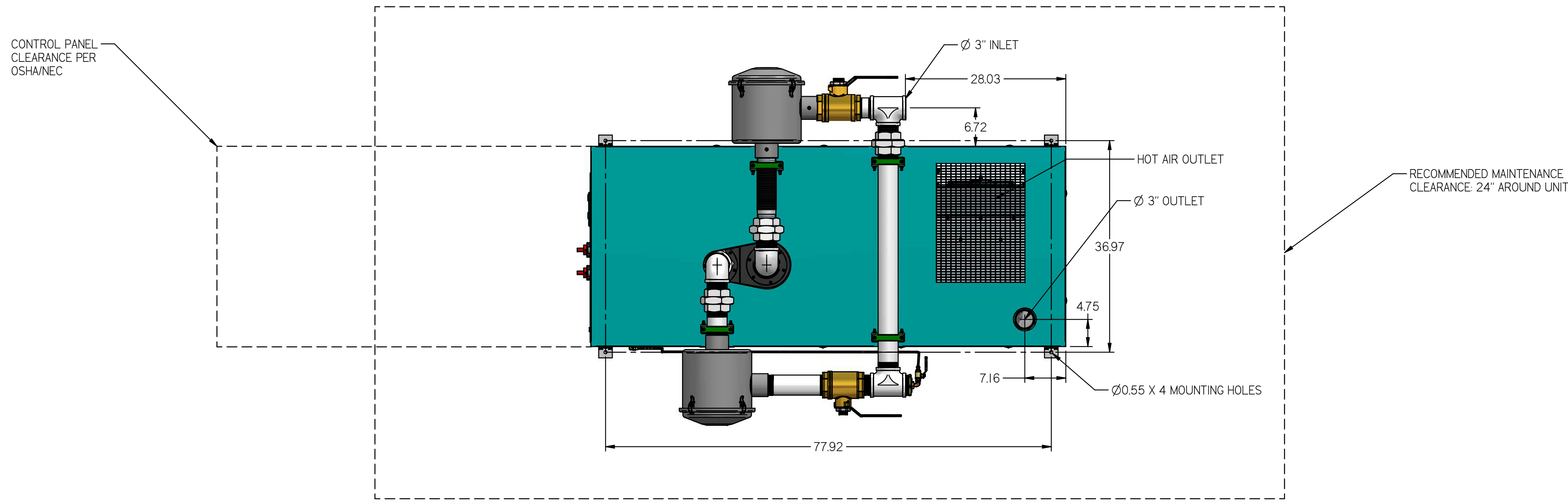


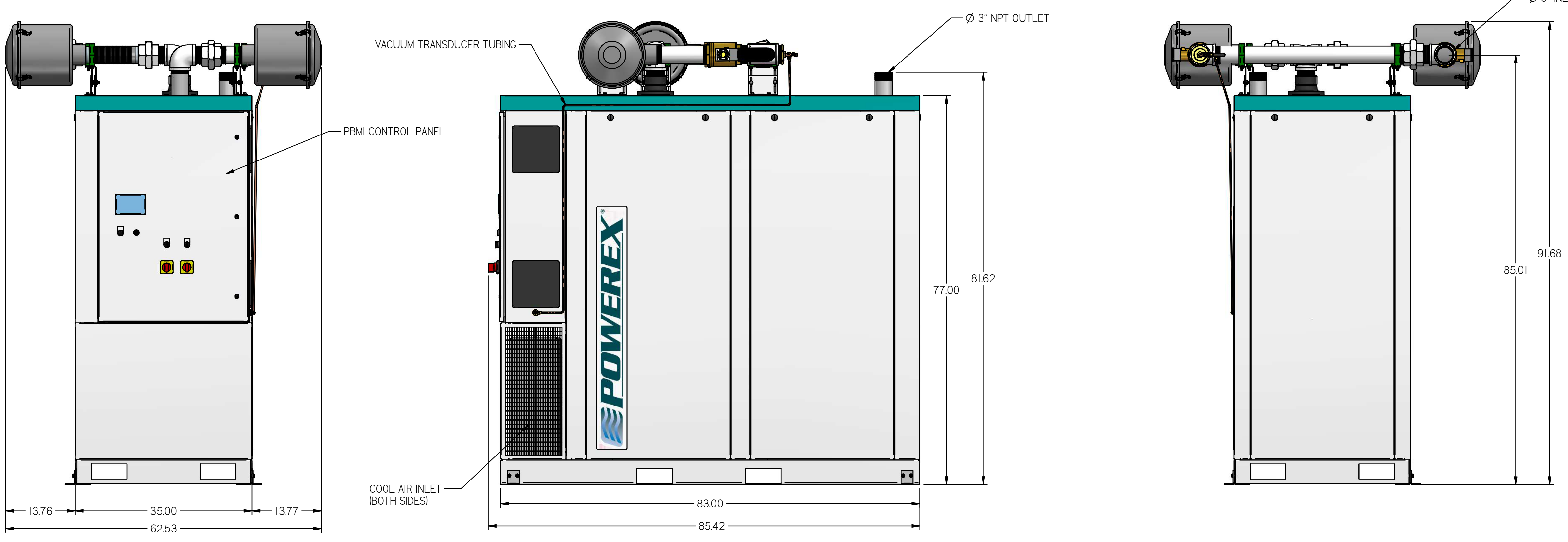
LCEDI007

LAB CLAW ENCLOSED DUPLEX 10 HP WITH TRANSDUCER

| REVISION NOTES | | |
|--------------------|----------|--------|
| DESCRIPTION | ECN | PR/NOR |
| PRODUCTION RELEASE | PXEC0099 | N/A |



1:20



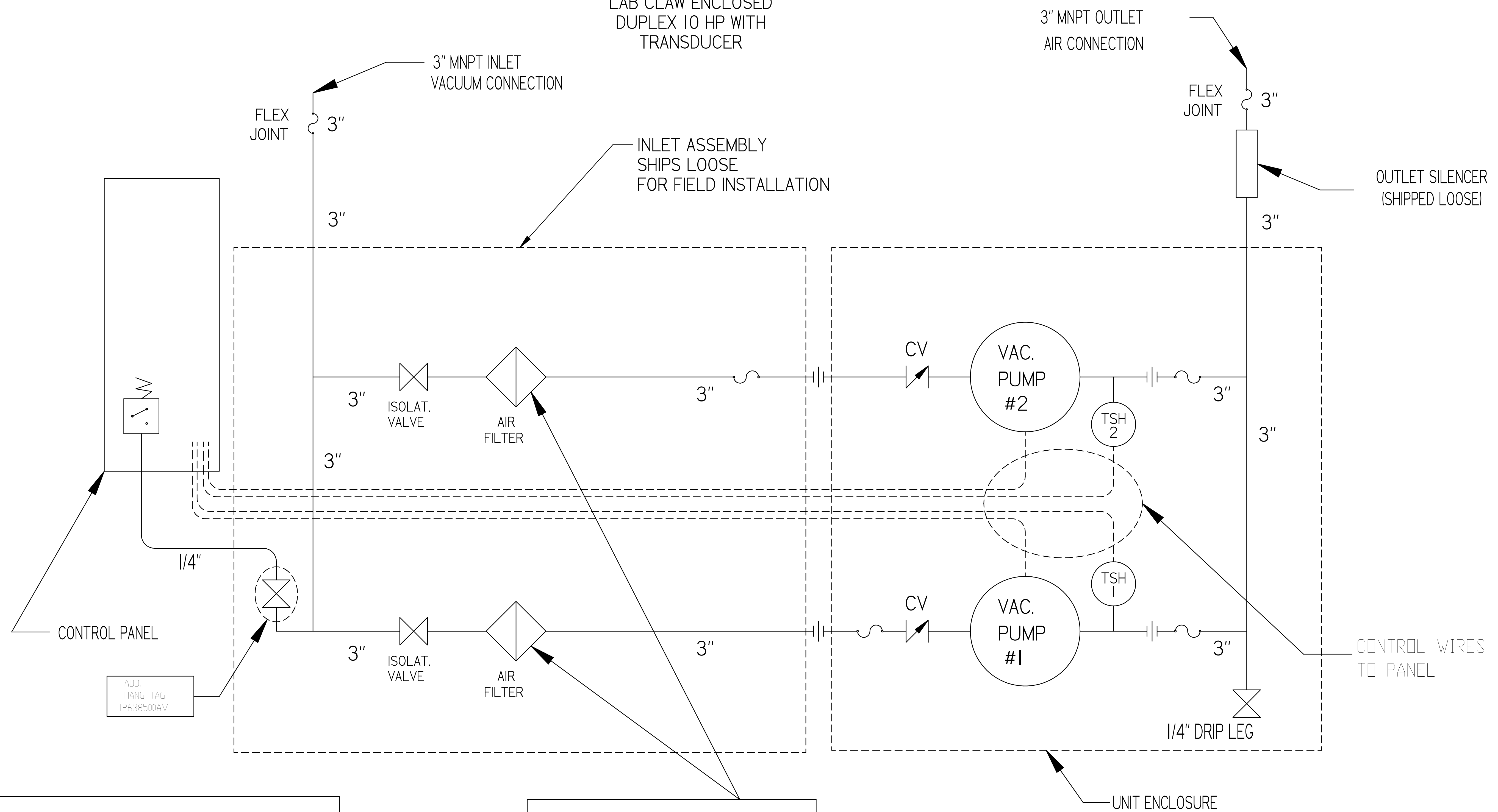
- NOTES:
- 1) APPROX SYSTEM WEIGHT: 2836 LB
 - 2) FINAL SYSTEM DIMENSIONS DEPENDENT UPON INSTALLATION CONFIGURATION. MAINTENANCE CLEARANCE MUST BE MAINTAINED IN INSTALLATION CONFIGURATION.
 - 3) SHEET 1: UNIT BUILD
 - 4) SHEET 2: FLOW SCHEMATIC

| SYMBOL LEGEND | | DRAWINGS TO CONFORM TO CURRENT REVISION OF THE FOLLOWING ANSI STANDARDS: | |
|----------------------------------------------------------------------------------------------------------------------------------------------------------------------------------------------------------------------------------------------------------------|--------------------|--------------------------------------------------------------------------|------------------------------------|
| | | Y14.3 MULTI AND SECTIONAL VIEW DIMS | Y14.5 DIMENSIONING AND TOLERANCING |
| TOLERANCES NOT SPECIFIED | SOLID EDGE DRAWING | DO NOT SCALE DRAWING FOR DIMENSIONS | |
| 0.XXX ± .05 | | SHEET 1 OF 2 | SCALE 1:12.5 |
| 0.XXX ± .005 | INH | | |
| <small>CONFIDENTIAL DISCLOSURE</small> This drawing is the property of POWEREX of the SCOTT FETTER COMPANY and is subject to return on demand. Its contents are confidential and must not be copied or submitted to outside parties for use or examination. | | AUTHOR | APPROVALS ON FILE IN PLM |
| DRAWN BY: gseaver DATE: 2/4/2019 | | | |
| TITLE: 719756 MATERIAL: N/A | | | |
| DESCRIPTION: LAB CLAW ENCLOSED DUPLEX 10 HP WITH TRANSDUCER | | DRAWING NUMBER: LCEDI007 | REVISION: A |
| | | SIZE: A | SIZE: D |

| REVISION NOTES | | |
|--------------------|----------|--------|
| DESCRIPTION | ECN | PR/NOR |
| PRODUCTION RELEASE | PXEC0099 | N/A |

LCEDI007

LAB CLAW ENCLOSED
 DUPLEX 10 HP WITH
 TRANSDUCER



LEGEND

| | | | |
|--|--------------|--|-------------------|
| | TEMP. SWITCH | | VACUUM TRANSDUCER |
| | AIR FILTER | | CHECK VALVE |
| | BALL VALVE | | FLEX LINE |
| | | | UNION |

NOTE:
 A 1/4 INCH VENT PLUG IS
 LOCATED IN EACH FILTER HOUSING.

- NOTES:
- 1) TSH - TEMPERATURE SWITCH HIGH
 - 2) PER NFPA THE SYSTEM WILL REQUIRE A SOURCE VALVE (SUPPLIED BY OTHERS).
 - 3) OUTLET SILENCER AND FLEX HOSES SHIP LOOSE FOR FIELD INSTALLATION.
 - 4) INLET ASSEMBLY SHIPS LOOSE FOR FIELD INSTALLATION.

| | | | |
|----------------------------------------------------------------------------------------------------------------------------------------------------------------------------------------------------------------------------------------------------------------|--------------------|---------------------------------------------------------------------------------------|---------------------------------------------|
| SYMBOL LEGEND | | DRAWINGS TO CONFORM TO CURRENT REVISION OF THE FOLLOWING ANSI STANDARDS: | |
| TOLERANCES NOT SPECIFIED: | | DO NOT SCALE DRAWING FOR DIMENSIONS | |
| 0.001 ± .005 | SOLID EDGE DRAWING | | |
| 0.002 ± .005 | | | |
| 0.005 ± .010 | | | |
| | | INCH | SCALE 1:10 |
| <small>CONFIDENTIAL DISCLOSURE</small> This drawing is the property of POWEREX of the SCOTT FETTER COMPANY and is subject to return on demand. Its contents are confidential and must not be copied or submitted to outside parties for use or examination. | | <small>AUTHOR</small> gseaver | <small>ORIGINATION DATE</small> 2/4/2019 |
| <small>APPROVALS ON FILE IN PLM</small> | | | |
| <small>PROJECT</small> 719756 | | | |
| <small>MATERIAL</small> N/A | | <small>150 PRODUCTION DRIVE, HARRISON OH 45030</small> <small>888-768-7079</small> | |
| <small>DESCRIPTION</small> LAB CLAW ENCLOSED DUPLEX 10 HP WITH TRANSDUCER | | <small>DRAWING NUMBER</small> LCEDI007 | <small>REVISION</small> A |
| | | <small>SIZE</small> D | |