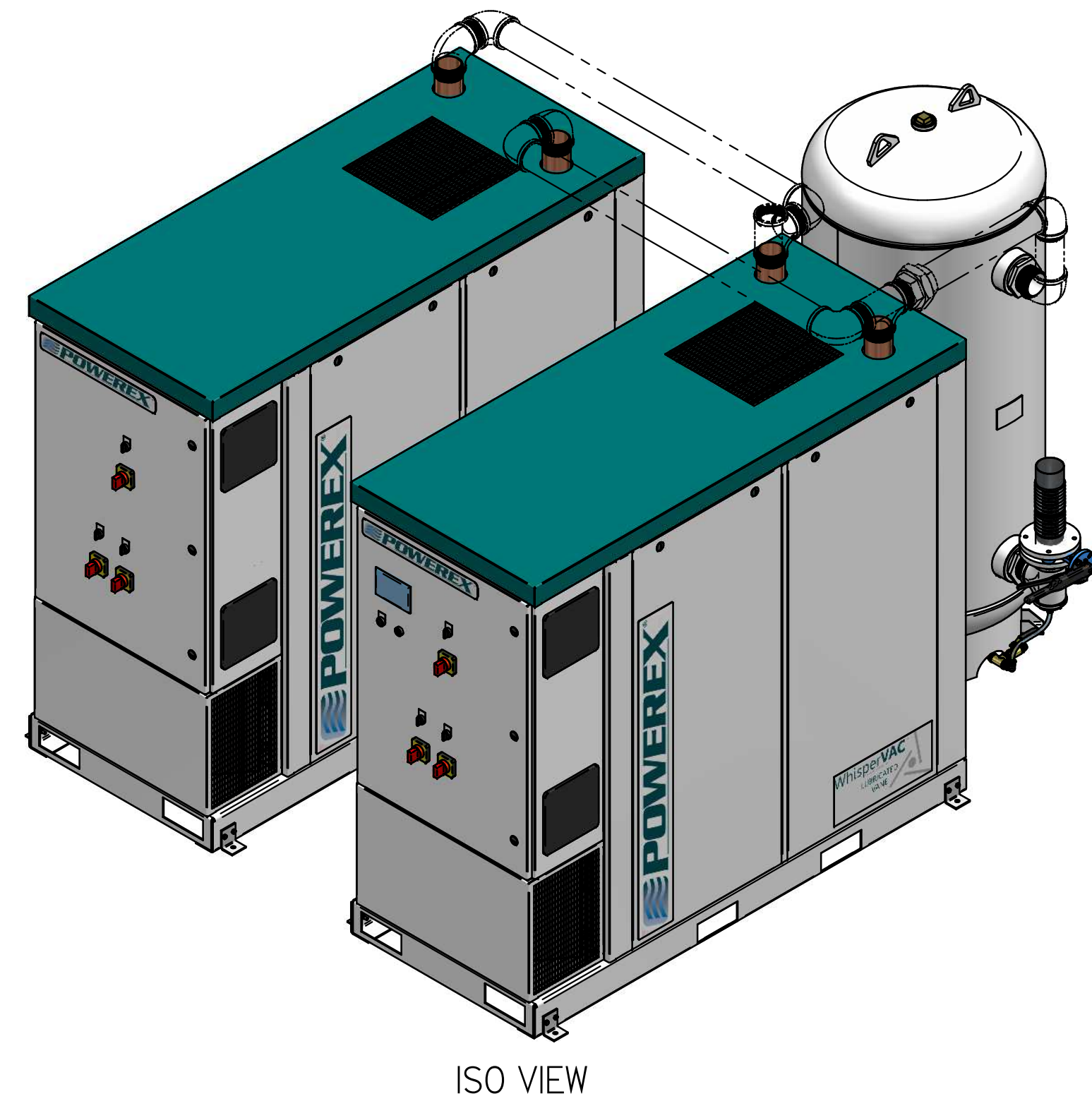


REVISION NOTES

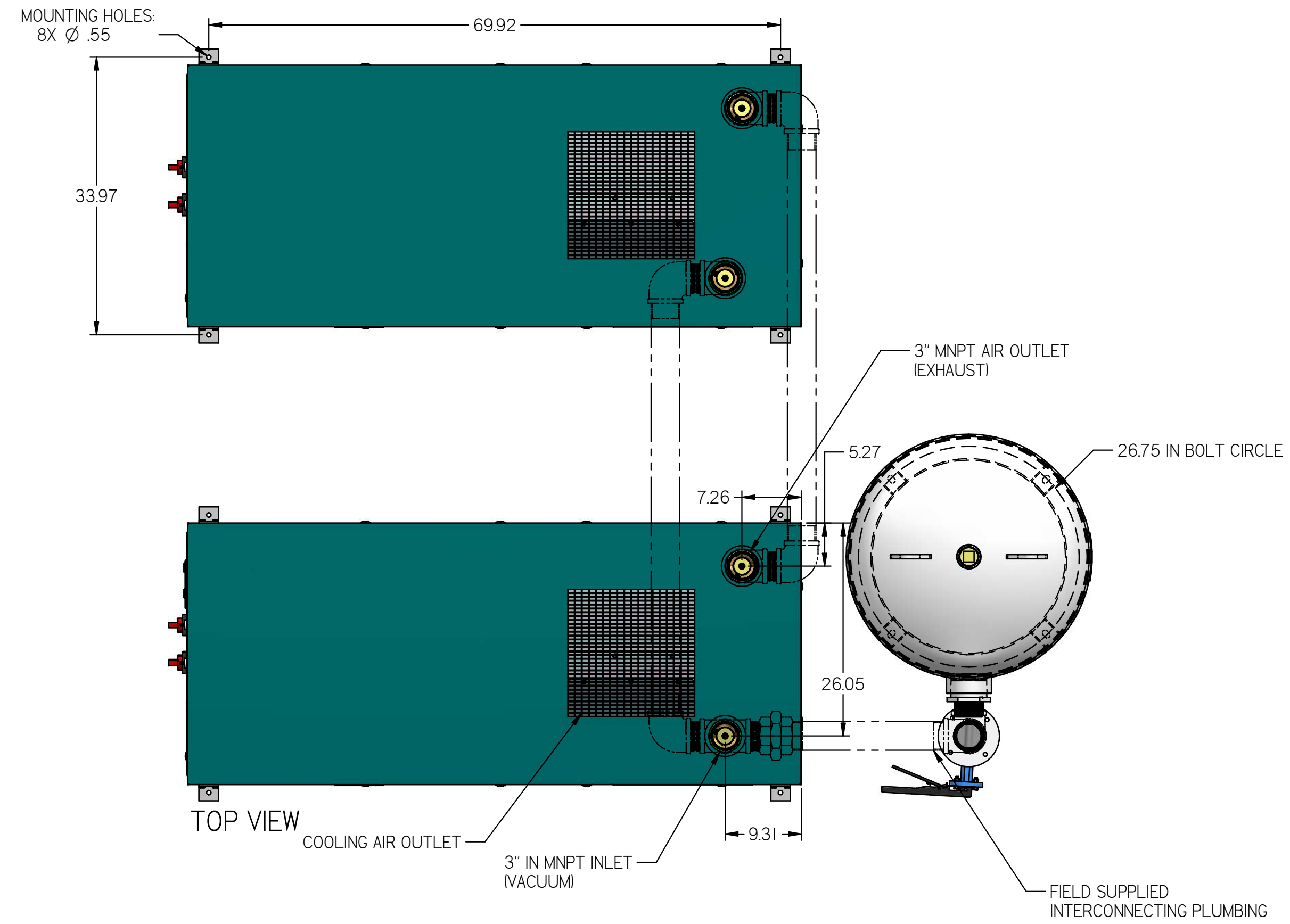
DESCRIPTION	ECN	PR/NOR
PRODUCTION RELEASE	PXEC0099	N/A

# LVEQ0505

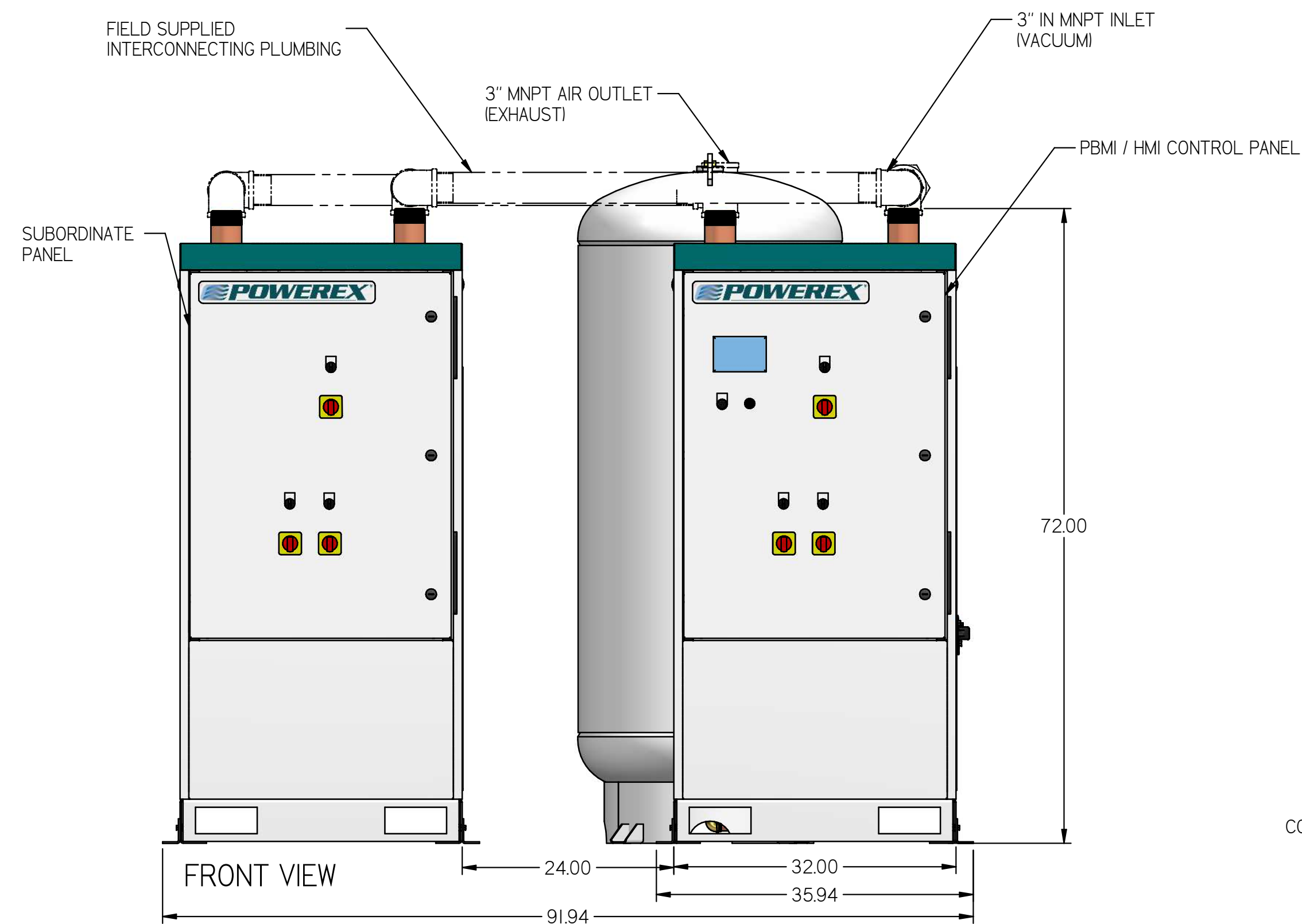
LAB 5 HP QUADPLEX VANE  
VACUUM ENCLOSURE 200G  
TANK



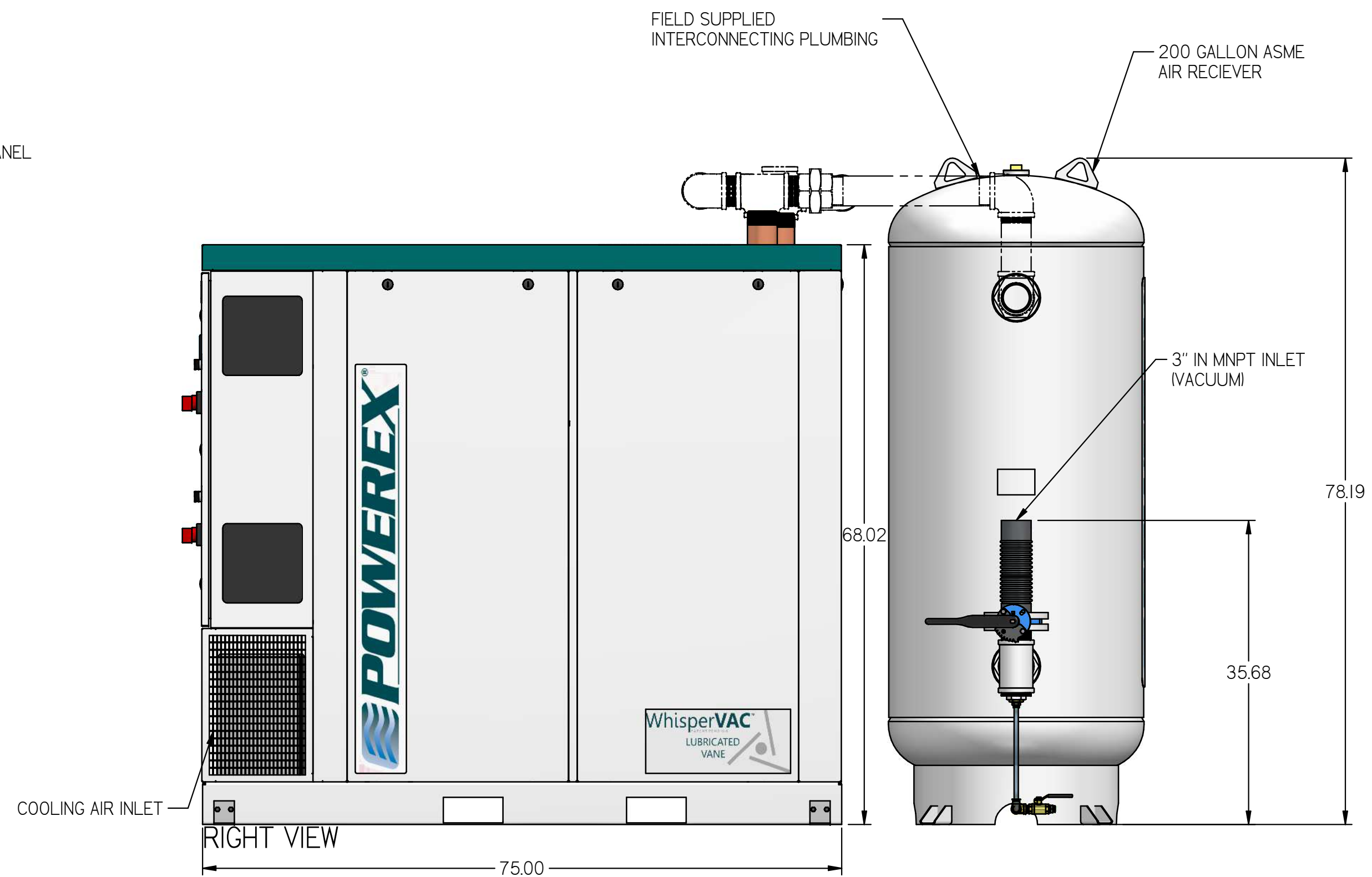
ISO VIEW



TOP VIEW




FRONT VIEW



RIGHT VIEW

- NOTES:  
 1. APPROX SYSTEM WEIGHT: 3589 LB  
 2. 24" MINIMUM MAINTENANCE CLEARANCE RECOMMENDED ALL SIDES. CLEARANCE FOR CONTROL PANELS SHALL BE IN ACCORDANCE WITH OSHA/NEC REQUIREMENTS

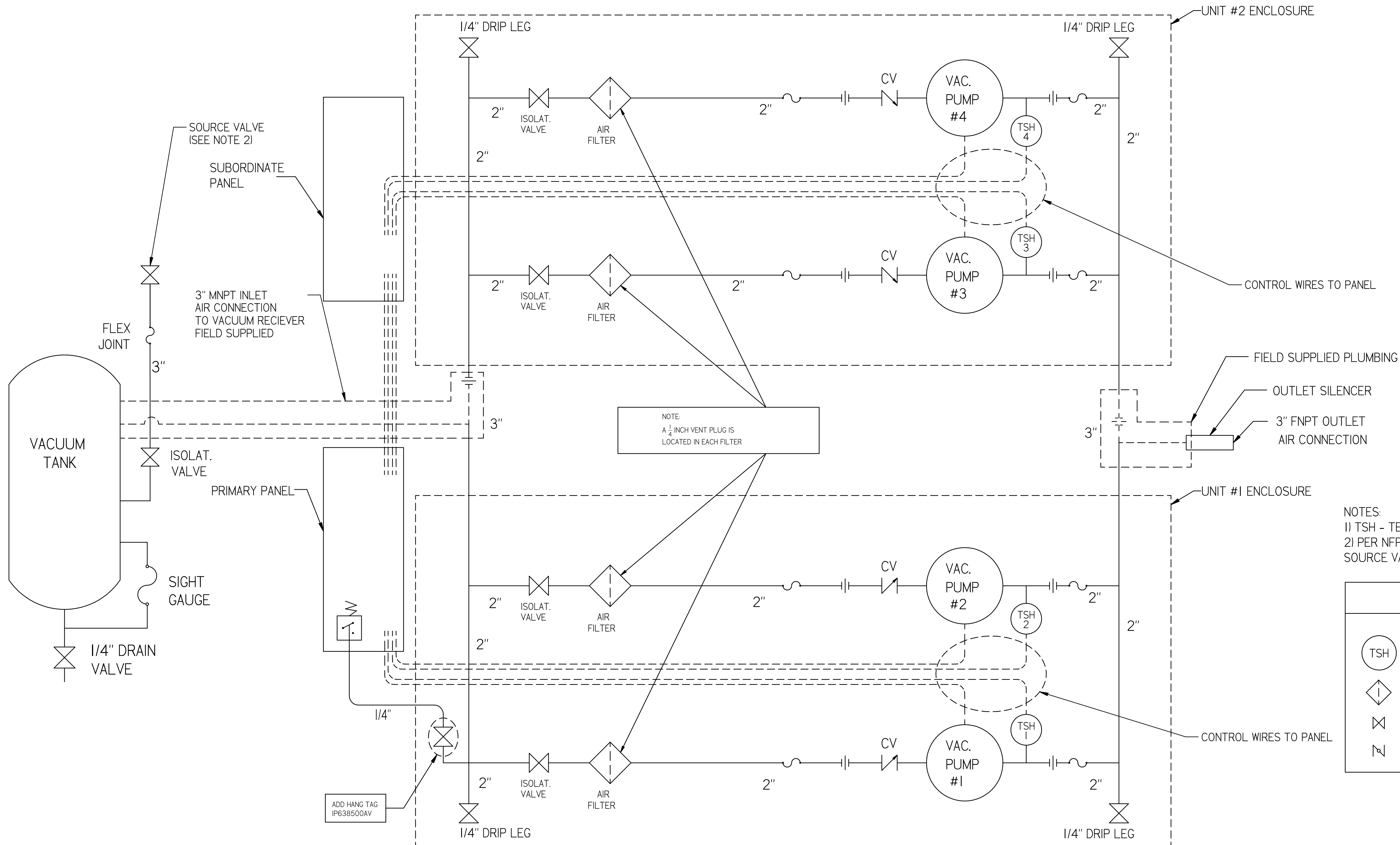
SYMBOL LEGEND		DRAWINGS TO CONFORM TO CURRENT REVISION OF THE FOLLOWING ANSI STANDARDS:	
TOLERANCES NOT SPECIFIED	SOLID EDGE DRAWING	DO NOT SCALE DRAWING FOR DIMENSIONS	
0.XXX ± .05	INCH	SHEET 1 OF 2	SCALE 1:1/2.5
0.XXX ± .005			
CONFIDENTIAL DISCLOSURE: This drawing is the property of POWEREX or the SCOTT FETTER COMPANY and is subject to return on demand. Its contents are confidential and must not be copied or submitted to outside parties for use or examination.		AUTHOR	APPROVALS ON FILE IN PLM
717464		ASoulek	2/7/2019
MATERIAL: SEE COMPONENT DRAWINGS			
DESCRIPTION: LAB 5 HP QUADPLEX VANE VACUUM ENCLOSURE 200G TANK		DRAWING NUMBER: LVEQ0505	REVISION: B
			SIZE: D



# LVEQ0505

## LAB 5 HP QUADPLEX VANE VACUUM ENCLOSURE 200G TANK

REVISION NOTES		
DESCRIPTION	ECN	PR/NOR
PRODUCTION RELEASE	PXEC0099	N/A



NOTE:  
A 1/2 INCH VENT PLUG IS  
LOCATED IN EACH FILTER

- NOTES:  
1) TSH - TEMPERATURE SWITCH HIGH  
2) PER NFPA THE SYSTEM WILL REQUIRE A  
SOURCE VALVE (SUPPLIED BY OTHERS).

LEGEND	
(TSH)	TEMP. SWITCH
◇	AIR FILTER
⊗	BALL VALVE
⊘	BUTTERFLY BALL VALVE
⊕	VACUUM TRANSDUCER
↗	CHECK VALVE
~	FLEX LINE
-	UNION

SYMBOL LEGEND		DRAWINGS TO CONFORM TO CURRENT REVISION OF THE FOLLOWING ANSI STANDARDS: Y14.3 MULTI-VIEW Y14.4 SECTIONAL VIEW Y14.5 DIMENSIONING AND TOLERANCING			
TOLERANCES NOT SPECIFIED	SOLID EDGE DRAWING	DO NOT SCALE DRAWING FOR DIMENSIONS			
0.001 ± .005			SHEET 2 OF 2	SCALE	1:1
0.005 ± .005					
<small>CONFIDENTIAL DISCLOSURE</small> This drawing is the property of POWEREX or the SCOTT FETTER COMPANY and is subject to return on demand. Its contents are confidential and must not be copied or submitted to outside parties for use or examination.		<small>AUTHOR</small> ASoulek	<small>ORIGINATION DATE</small> 2/7/2019	<small>APPROVALS ON FILE IN PLM</small>	
<small>ITEM NO.</small> 717464 <small>MATERIAL</small> SEE COMPONENT DRAWINGS			<small>150 PRODUCTION DRIVE, HARRISON OH 45030 888.768.7079</small>		
<small>DESCRIPTION</small> LAB 5 HP QUADPLEX VANE VACUUM ENCLOSURE 200G TANK	<small>DRAWING NUMBER</small> LVEQ0505	<small>REVISION</small> B	<small>SIZE</small> D		