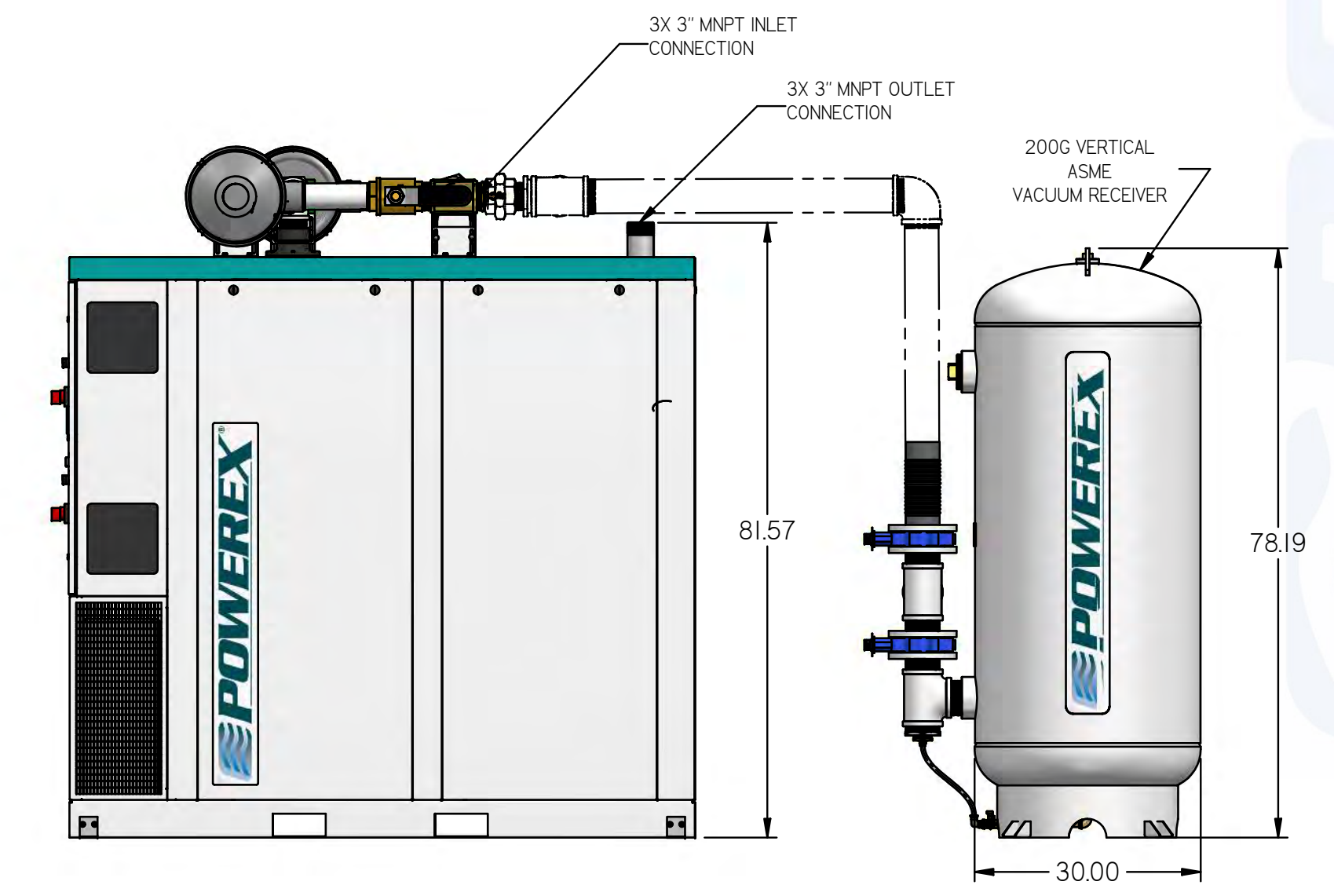
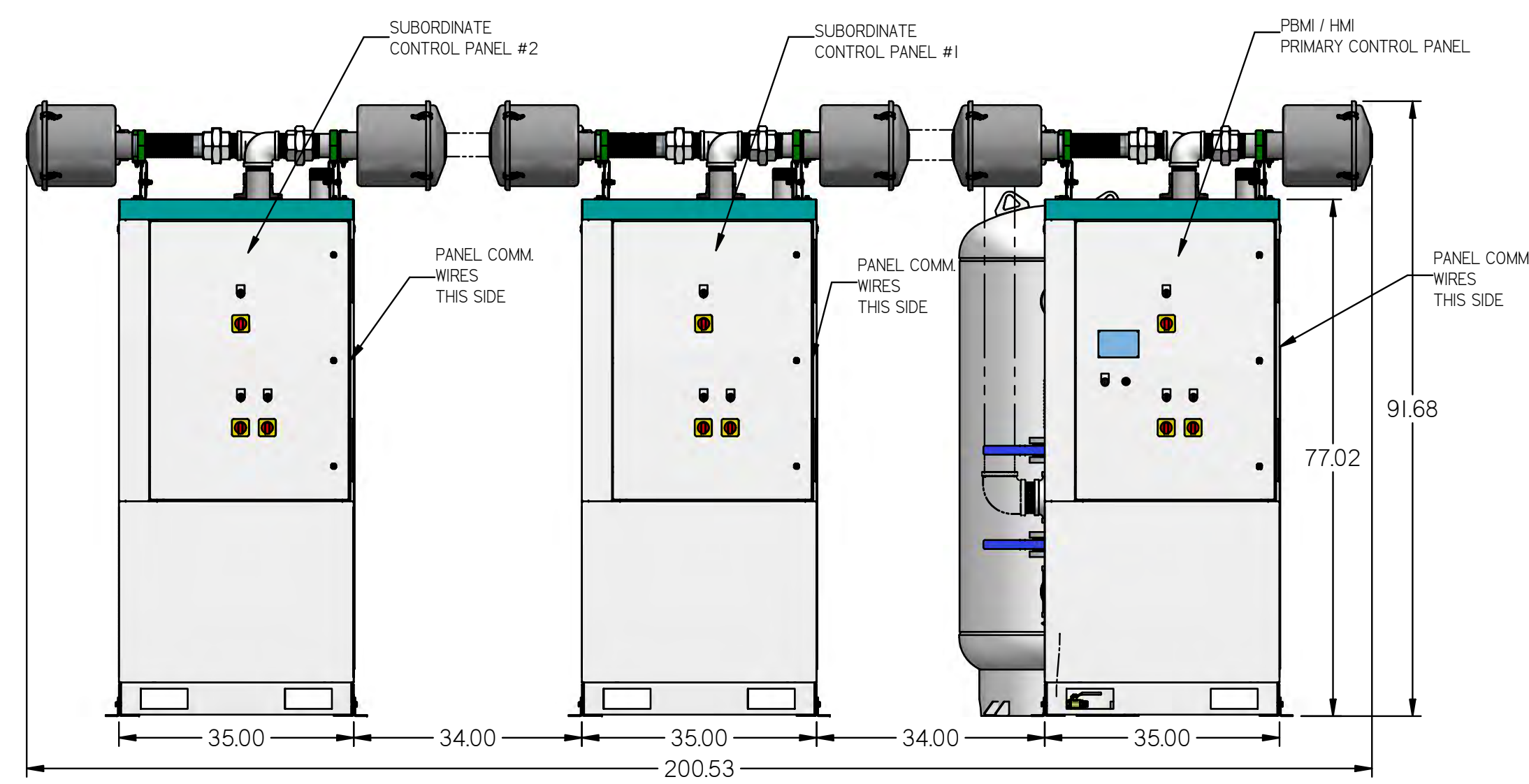
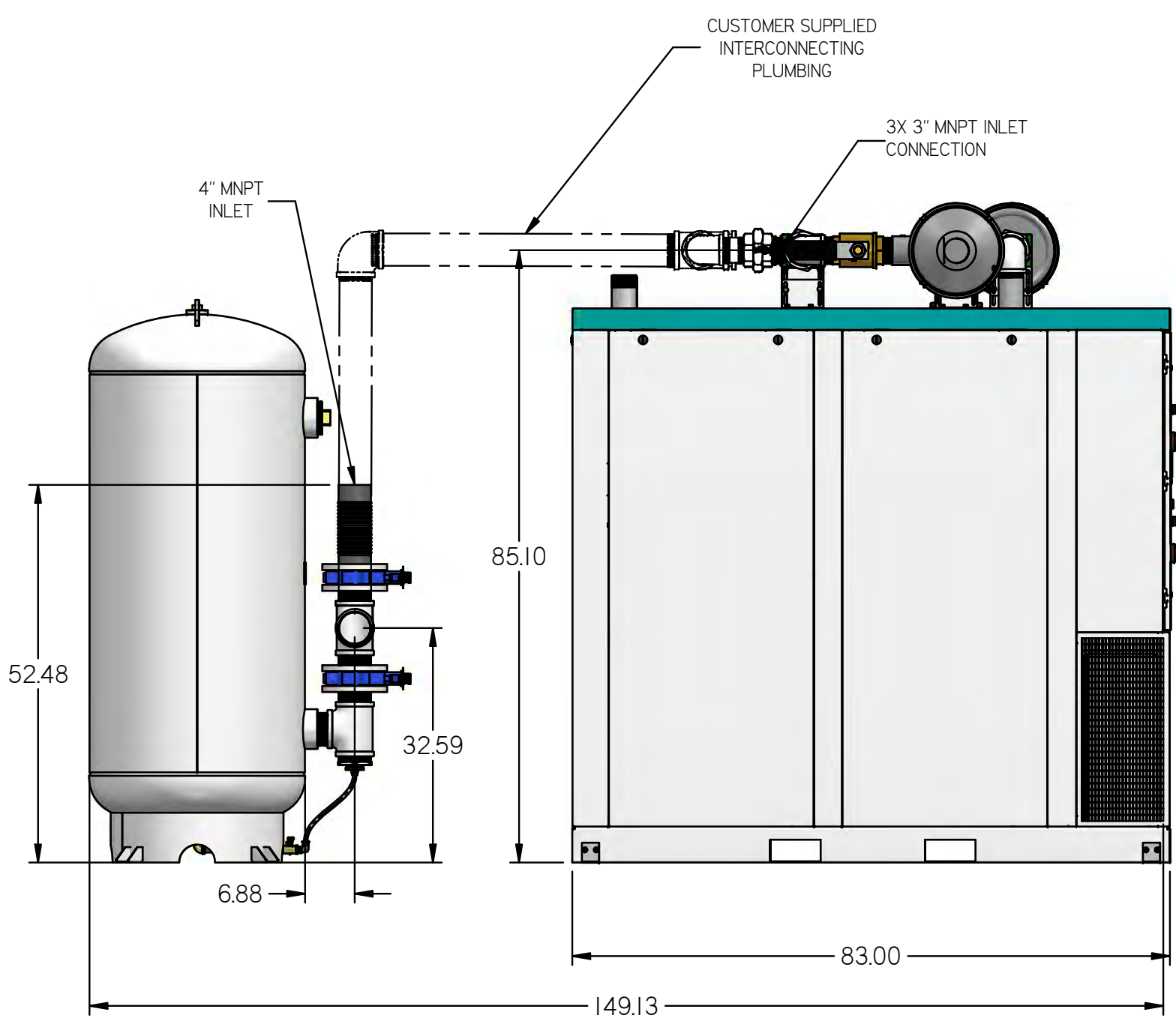
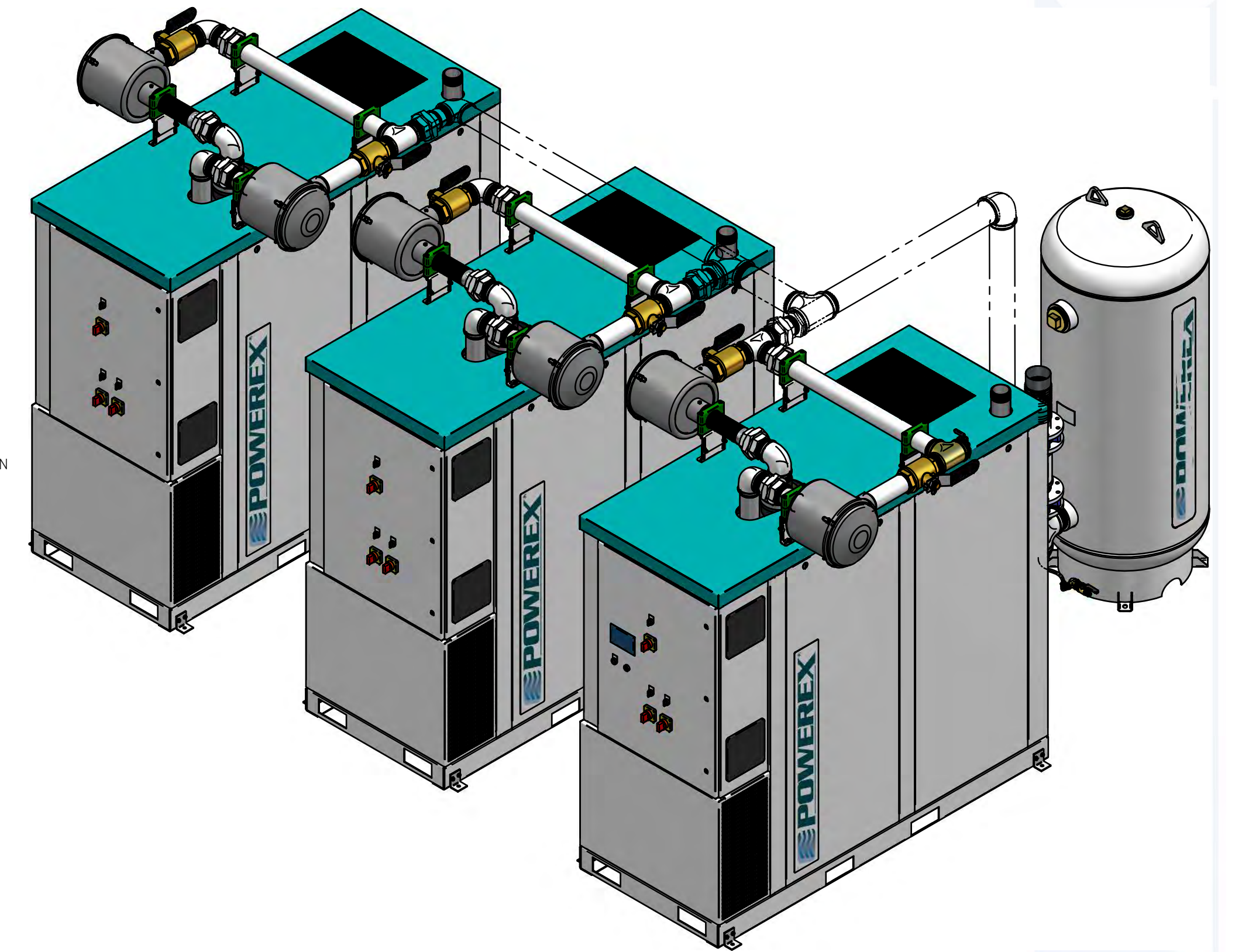
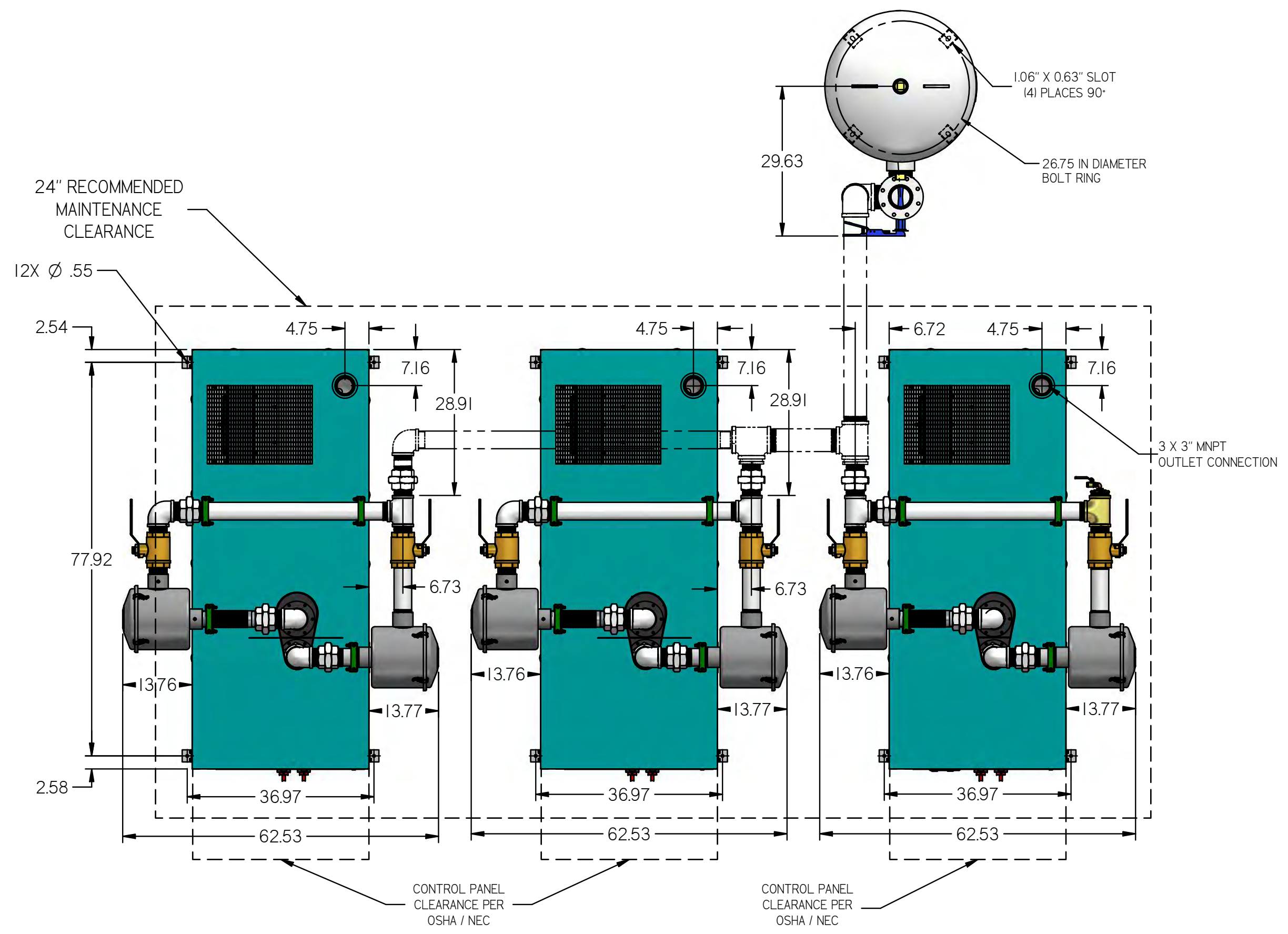


# MCEHI505

## MED CLAW ENCLOSED HEXAPLEX 15 HP 200 GAL

REVISION NOTES		
DESCRIPTION	ECN	PR/NOR
PRODUCTION RELEASE	PXEC0099	N/A



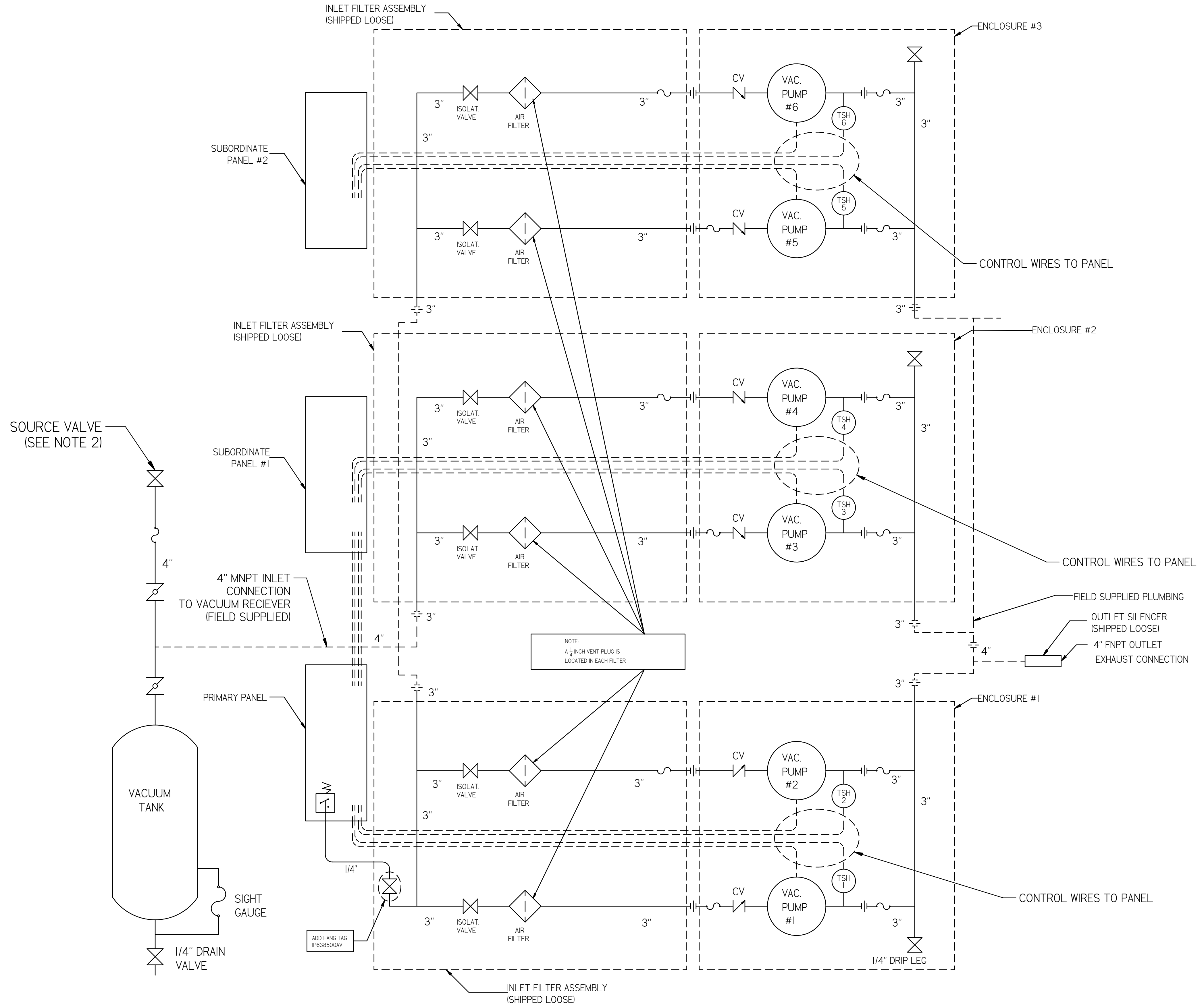
- NOTES:
- APPROX SYSTEM WEIGHT: 12012 LB
  - FINAL SYSTEM DIMENSIONS DEPENDENT UPON INSTALLATION CONFIGURATION. MAINTENANCE CLEARANCE MUST BE MAINTAINED IN INSTALLATION CONFIGURATION.
  - SHEET 1: UNIT BUILD
  - SHEET 2: FLOW SCHEMATIC

SYMBOL LEGEND		DRAWINGS TO CONFORM TO CURRENT REVISION OF THE FOLLOWING ANSI STANDARDS: Y14.3 MULTI AND SECTIONAL VIEW DIMS Y14.5 DIMENSIONING AND TOLERANCING	
TOLERANCES NOT SPECIFIED:	SOLID EDGE DRAWING	DO NOT SCALE DRAWING FOR DIMENSIONS	
0.XXX ± .05	INCH	SHEET 1 OF 2	SCALE 1:20
0.XXX ± .005			
CONFIDENTIAL DISCLOSURE This drawing is the property of POWEREX of the SCOTT FETTER COMPANY and is subject to return on demand. Its contents are confidential and must not be copied or submitted to outside parties for use or examination.		AUTHOR	APPROVALS ON FILE IN PLM
ITERATOR: 718744		gseaver	1/24/2019
MATERIAL: N/A		 150 PRODUCTION DRIVE, HARRISON OH 45030 888-768-7079	
DESCRIPTION: MED CLAW ENCLOSED HEXAPLEX 15 HP 200 GAL	DRAWING NUMBER: MCEHI505		

# MCEHI505

## MED CLAW ENCLOSED HEXAPLEX 15 HP 200 GAL

REVISION NOTES		
DESCRIPTION	ECN	PR/NOR
PRODUCTION RELEASE	PXEC0099	N/A



- NOTES:
- 1) TSH - TEMPERATURE SWITCH HIGH
  - 2) PER NFPA THE SYSTEM WILL REQUIRE A SOURCE VALVE (SUPPLIED BY OTHERS).

LEGEND	
(TSH)	TEMP. SWITCH
◇	AIR FILTER
⊗	BALL VALVE
⊕	BUTTERFLY BALL VALVE
⊖	VACUUM TRANSDUCER
↗	CHECK VALVE
~	FLEX LINE
- -	UNION

SYMBOL LEGEND		DRAWINGS TO CONFORM TO CURRENT REVISION OF THE FOLLOWING ANSI STANDARDS: #14.3 MULTI AND SECTIONAL VIEW DIMS #14.5 DIMENSIONING AND TOLERANCING			
TOLERANCES NOT SPECIFIED: 0.00X ± .05 0.00X ± .005	SOLID EDGE DRAWING	DO NOT SCALE DRAWING FOR DIMENSIONS	SHEET 2 OF 2	SCALE	1:1
<small>CONFIDENTIAL DISCLOSURE</small> This drawing is the property of POWEREX or the SCOTT FETTER COMPANY and is subject to return on demand. Its contents are confidential and must not be copied or submitted to outside parties for use or examination.		<small>AUTHOR</small> gseaver	<small>ORIGINATION DATE</small> 1/24/2019	<small>APPROVALS ON FILE IN PLM</small>	
<small>ITEM #</small> 718744 <small>MATERIAL</small> N/A			<small>150 PRODUCTION DRIVE, HARRISON OH 45030</small> <small>ISS: 7/26-7/27/19</small>		
<small>DESCRIPTION</small> MED CLAW ENCLOSED HEXAPLEX 15 HP 200 GAL	<small>DRAWING NUMBER</small> MCEHI505	<small>REVISION</small> B	<small>SIZE</small> D		