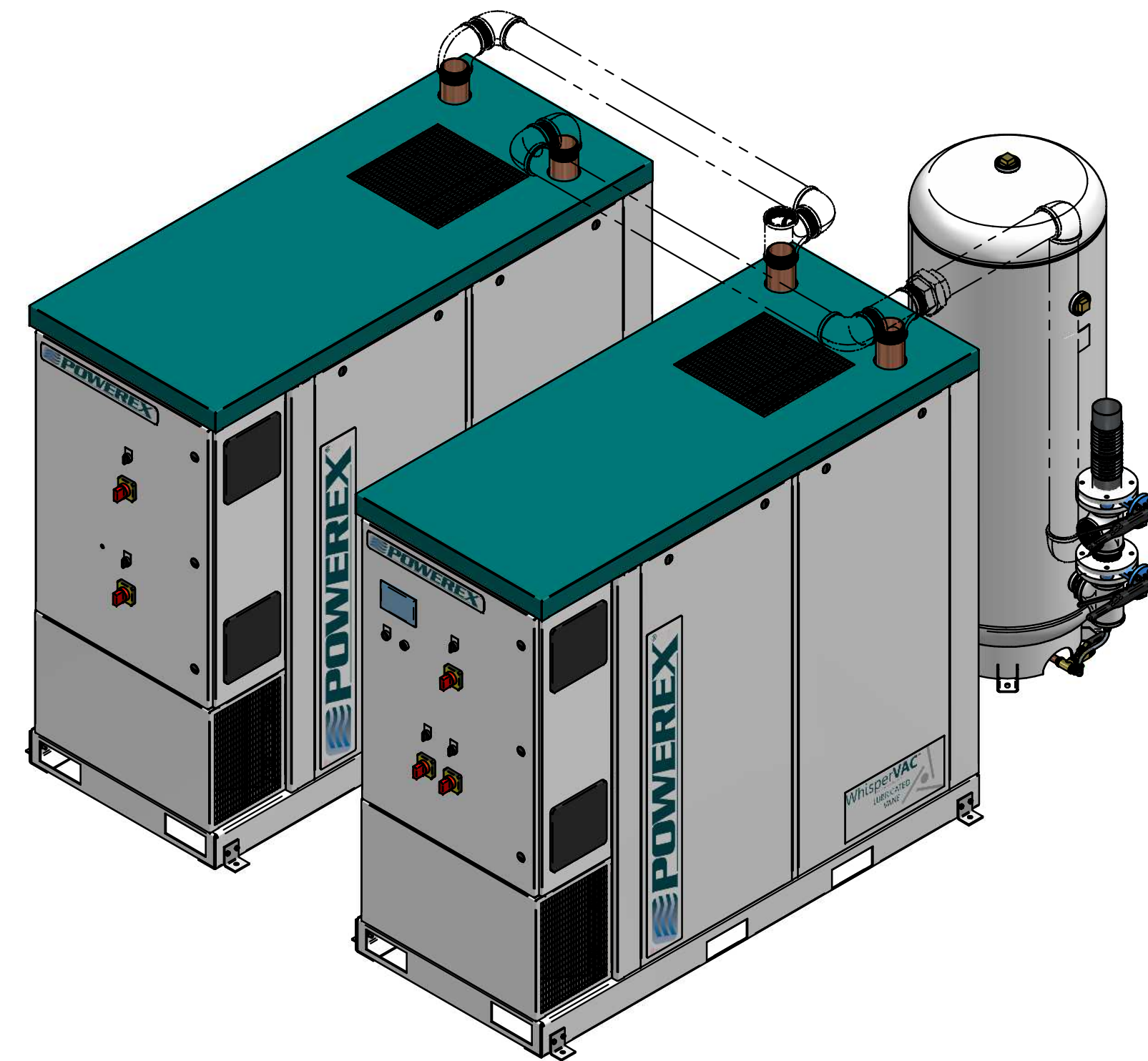


REVISION NOTES

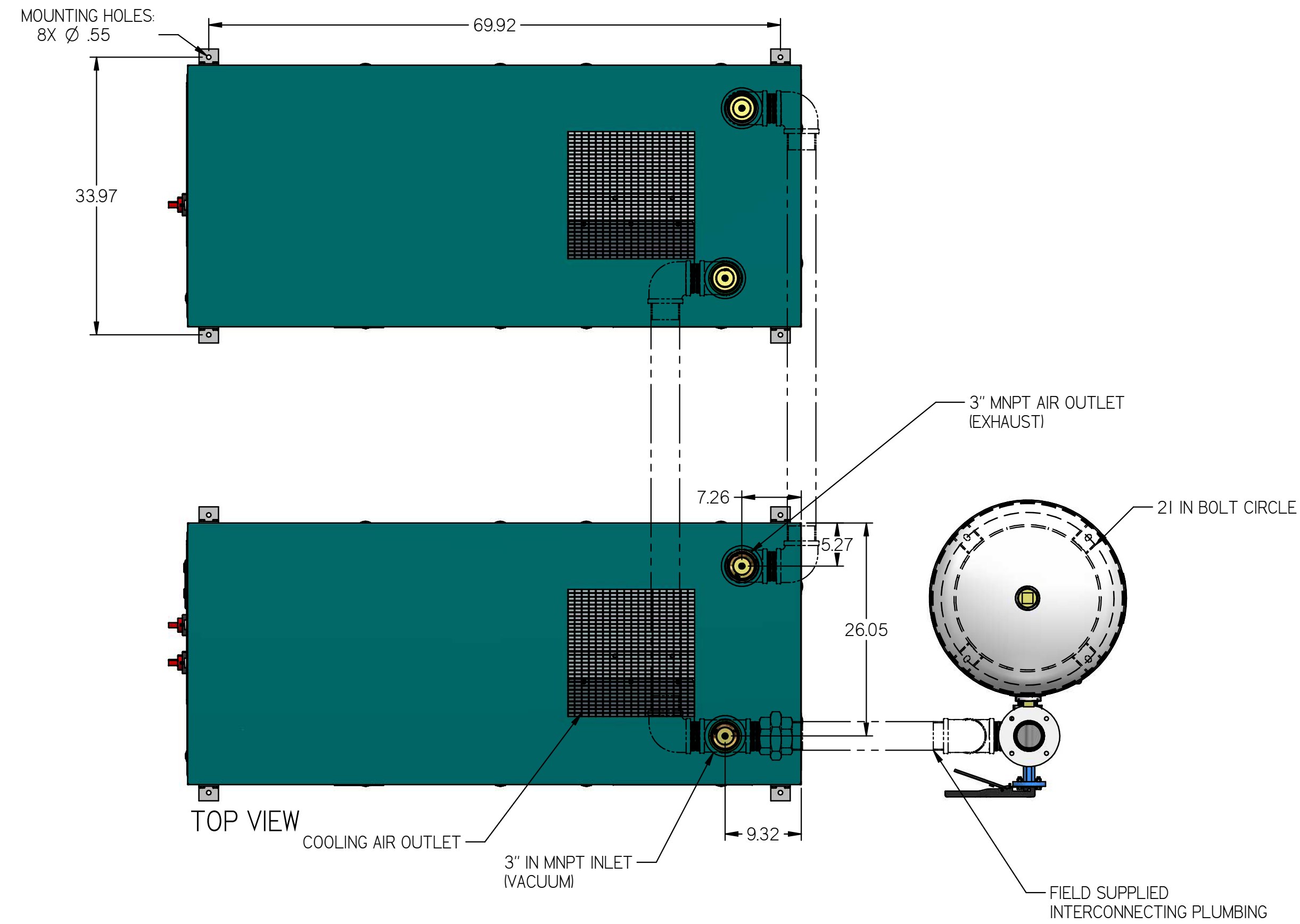
DESCRIPTION	ECN	PR/NOR
PRODUCTION RELEASE	PXEC0099	N/A

MVET0754

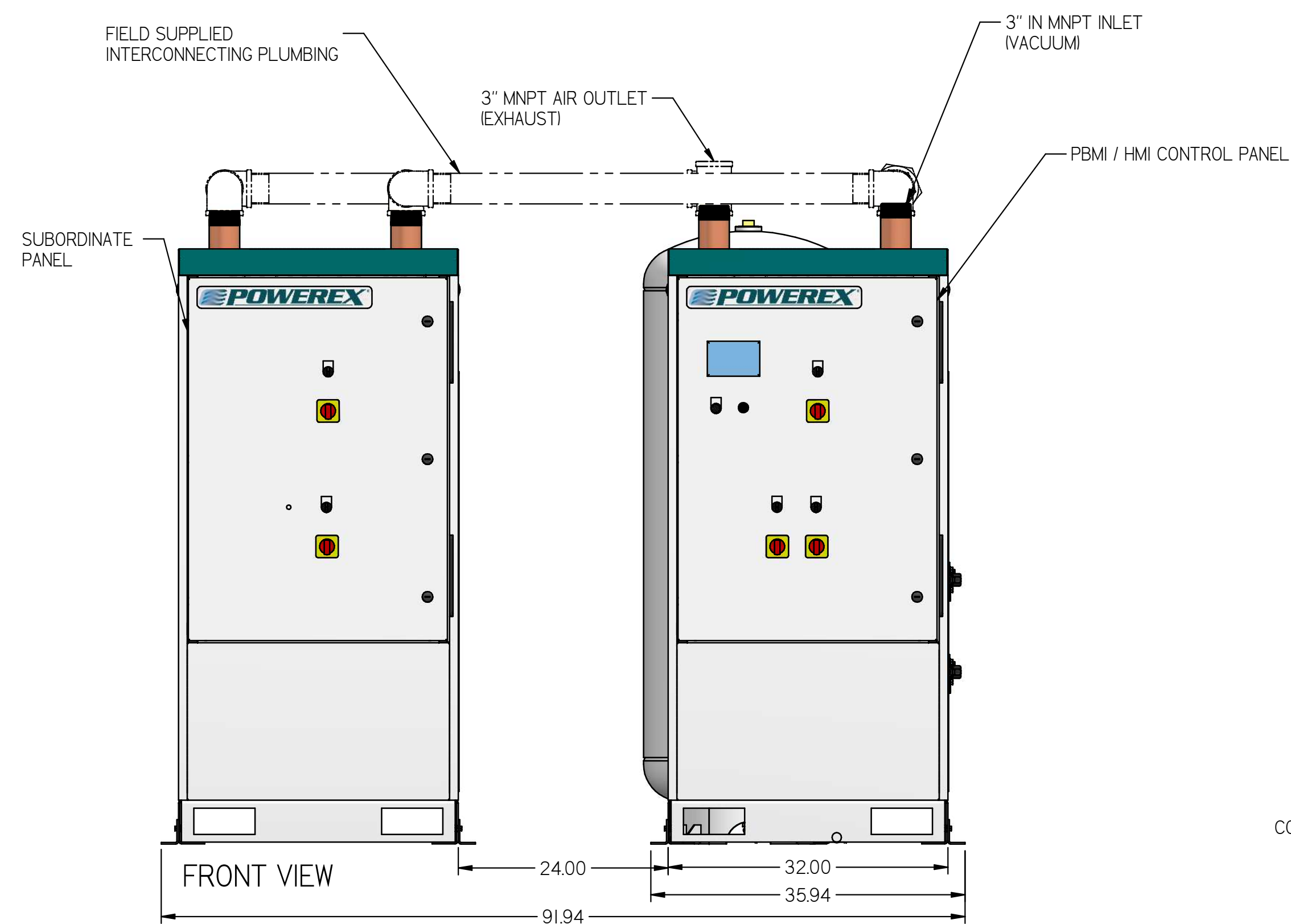
MEDICAL 7.5 HP TRIPLEX
VANE VACUUM ENCLOSURE
120G TANK



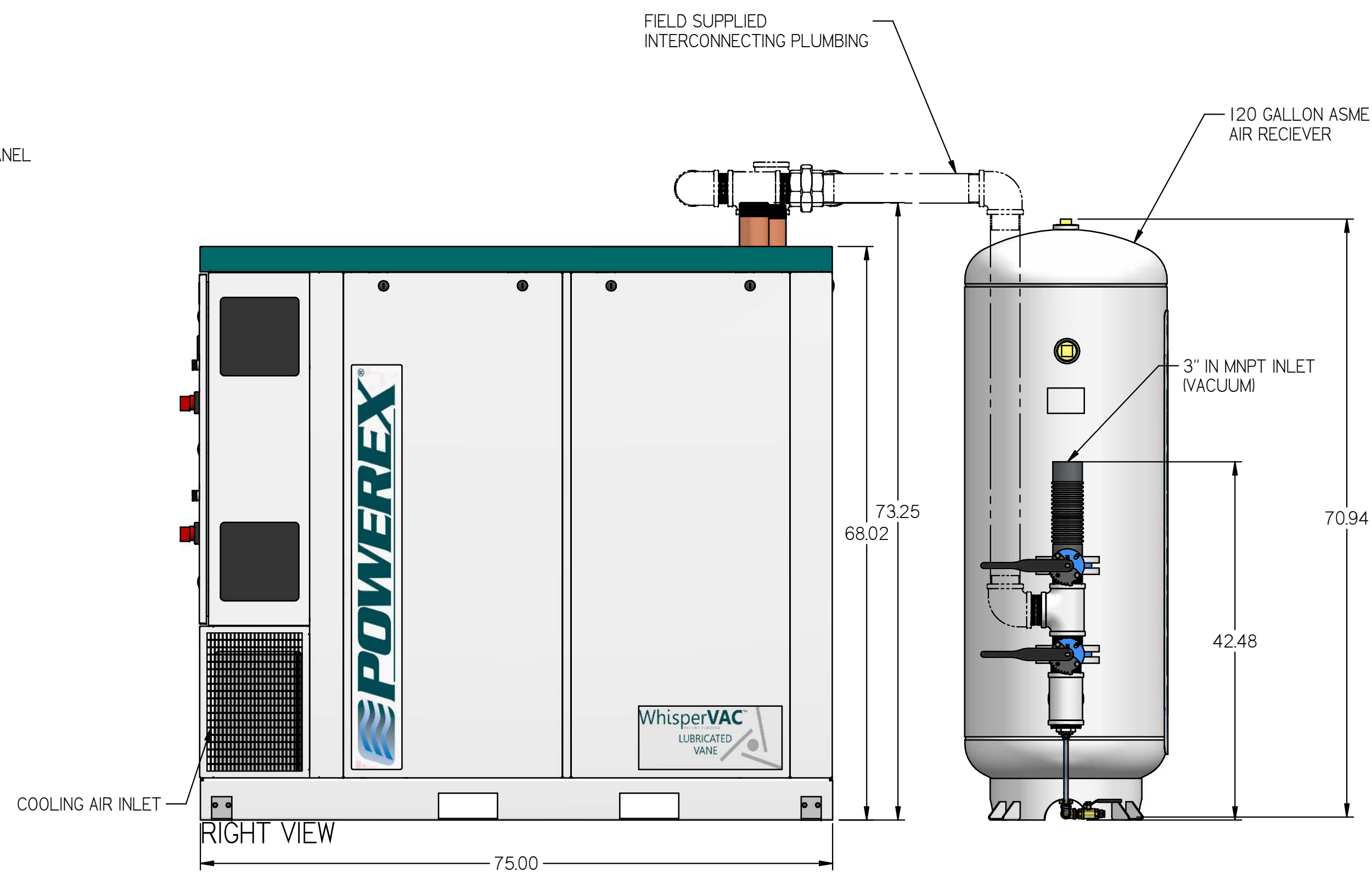
ISO VIEW



TOP VIEW



FRONT VIEW



RIGHT VIEW

- NOTES:
 1. APPROX SYSTEM WEIGHT: 3842 LB
 2. 24" MINIMUM MAINTENANCE CLEARANCE RECOMMENDED ALL SIDES. CLEARANCE FOR CONTROL PANELS SHALL BE IN ACCORDANCE WITH OSHA/NEC REQUIREMENTS

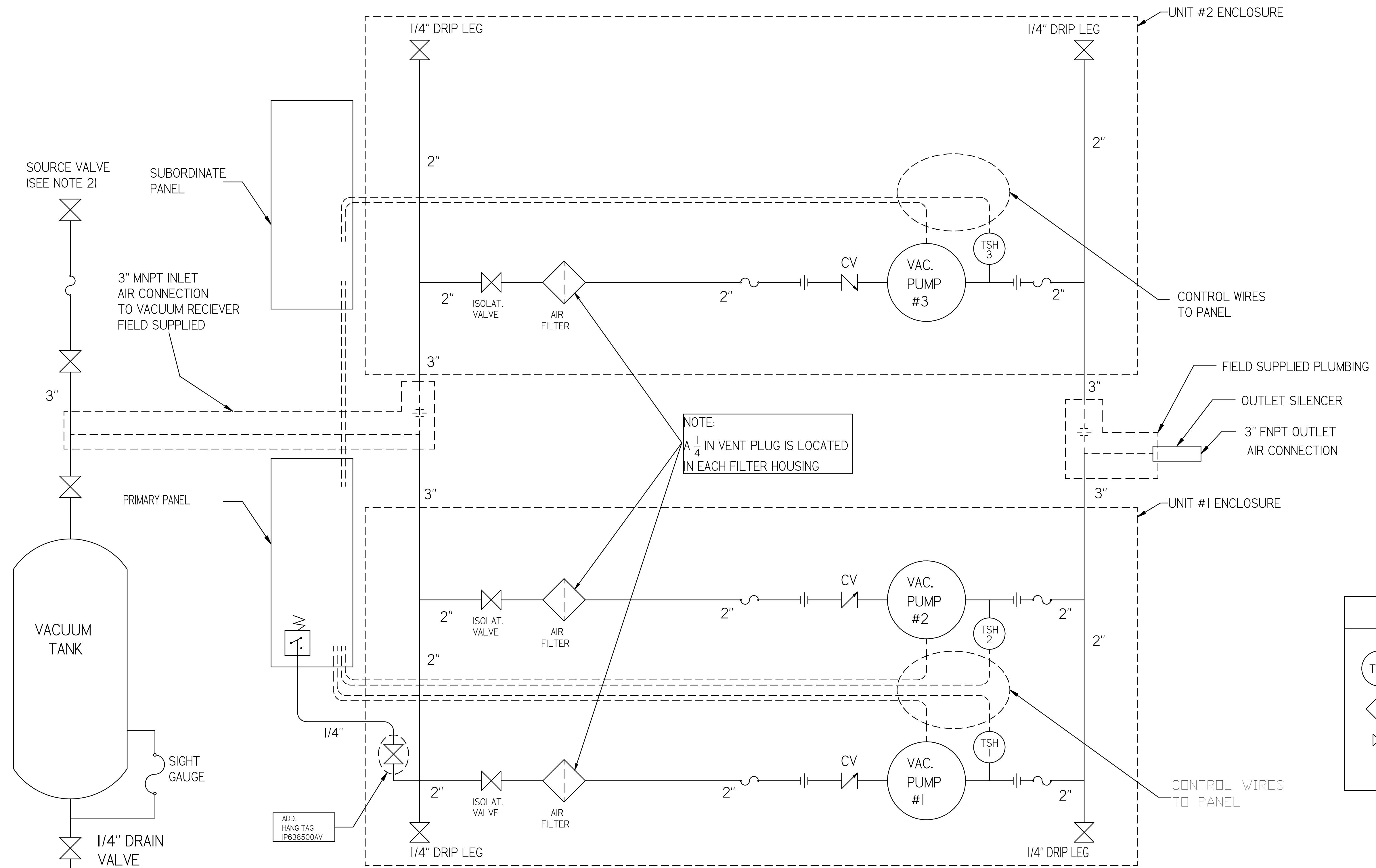
SYMBOL LEGEND		DRAWINGS TO CONFORM TO CURRENT REVISION OF THE FOLLOWING ANSI STANDARDS:	
TOLERANCES NOT SPECIFIED	SOLID EDGE DRAWING	Y14.3 MULTI AND SECTIONAL VIEW DIMS	DO NOT SCALE DRAWING FOR DIMENSIONS
0.XXX ± .05	INCH	Y14.5 DIMENSIONING AND TOLERANCING	SHEET 1 OF 2
0.XXX ± .005		SCALE	1:1/2.5
CONFIDENTIAL DISCLOSURE This drawing is the property of POWEREX or the SCOTT FETTER COMPANY and is subject to return on demand. Its contents are confidential and must not be copied or submitted to outside parties for use or examination.		AUTHOR	APPROVALS ON FILE IN PLM
TITLE: 717432 MATERIAL: SEE COMPONENT DRAWINGS		ORIGINATION DATE	
DESCRIPTION: MEDICAL 7.5 HP TRIPLEX VANE VACUUM ENCLOSURE 120G TANK		ASoulek	2/7/2019
DRAWING NUMBER		REVISION	SIZE
MVET0754		B	D



MVET0754

MEDICAL 7.5 HP TRIPLEX
VANE VACUUM ENCLOSURE
120G TANK

REVISION NOTES		
DESCRIPTION	ECN	PR/NOR
PRODUCTION RELEASE	PXEC0099	N/A



NOTE:
A 1/4" IN VENT PLUG IS LOCATED
IN EACH FILTER HOUSING

LEGEND	
(TSH)	TEMP. SWITCH
(◇)	AIR FILTER
(X)	BALL VALVE
(V)	VACUUM TRANSDUCER
(/)	CHECK VALVE
(~)	FLEX LINE
(- -)	UNION

SYMBOL LEGEND		DRAWINGS TO CONFORM TO CURRENT REVISION OF THE FOLLOWING ANSI STANDARDS:	
TOLERANCES NOT SPECIFIED:	SOLID EDGE DRAWING	DO NOT SCALE DRAWING FOR DIMENSIONS	
0.00X ± .05	INCH	SHEET 2 OF 2	SCALE 1:1
0.00X ± .005			
<small>CONFIDENTIAL DISCLOSURE</small> This drawing is the property of POWEREX or the SCOTT FETTER COMPANY and is subject to return on demand. Its contents are confidential and must not be copied or submitted to outside parties for use or examination.		AUTHOR	APPROVALS ON FILE IN PLM
ITERID: 717432		ASoulek	2/7/2019
<small>CONFIDENTIAL DISCLOSURE</small> MATERIAL: SEE COMPONENT DRAWINGS			
DESCRIPTION: MEDICAL 7.5 HP TRIPLEX VANE VACUUM ENCLOSURE 120G TANK	DRAWING NUMBER: MVET0754	REVISION: B	SIZE: D

NOTES:
1) TSH - TEMPERATURE SWITCH HIGH
2) PER NFPA THE SYSTEM WILL REQUIRE A SOURCE VALVE (SUPPLIED BY OTHERS).