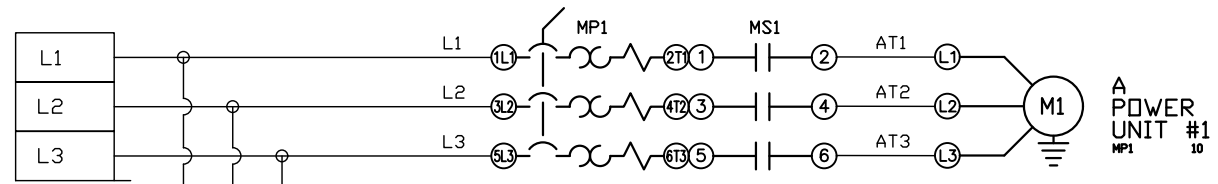
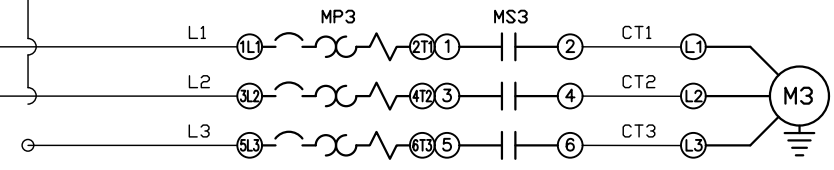


REV	REVISION	DATE	ECN	NAME	CHKD
B-1	RELEASE TO PRODUCTION	01/25/17	PXEC0099	AKH	KMD
C-1	ADDED LUBRICATED VANE LAYOUT AND DATASHEET	10/08/18	PXEC0229	JLM	AJL



A  
POWER  
UNIT #1  
MP1 10

FIELD FURNISHED  
DISCONNECT WITH  
BRANCH CIRCUIT  
PROTECTION IS  
REQUIRED  
  
SEE NOTES ON  
DATA TABLE PAGE



C  
POWER  
FAN #1  
MP3 14

OPTIONAL:



CONFIDENTIAL DISCLOSURE:  
This drawing is the property of the CAMPBELL GROUP of the SCOTT FETZER COMPANY and subject to return on demand. Its contents are confidential and must not be copied or submitted to outside parties for use or examination.

DRAWN BY	CHECKED BY	ENGINEERING APPROVAL
AKH	KMD	AKH
01/25/17	01/25/17	01/25/17

PANEL TYPE  
SIMPLEX MED VAC ENCLOSURE  
NFPA, SUB

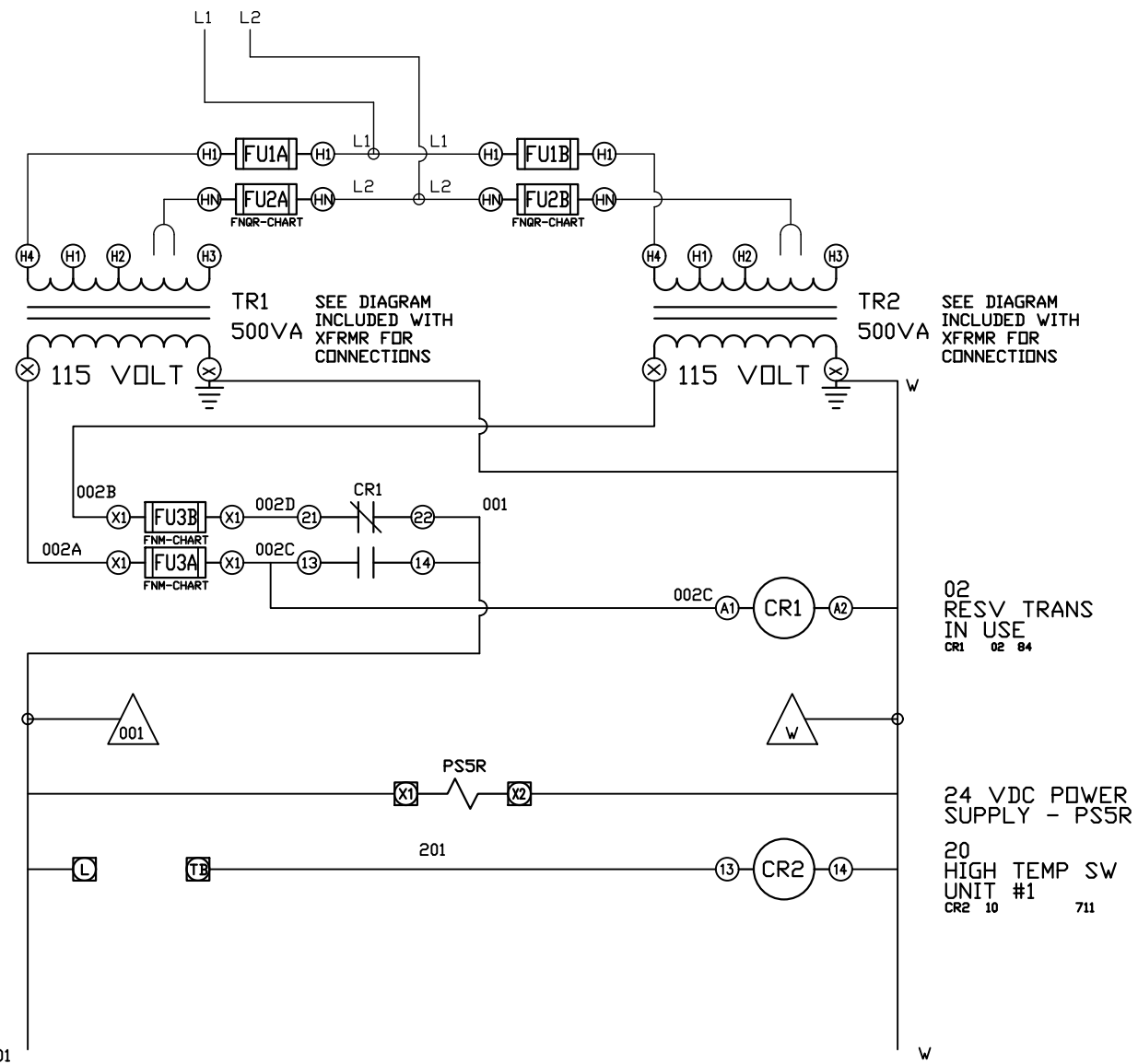
DWG. TYPE WIRING

DWG. NO.  
PXMI-VES169

SHEET	SIZE
W-1	B

L1 L2

REV	REVISION	DATE	ECN	NAME	CHKD
B-1	RELEASE TO PRODUCTION	01/25/17	PXEC0099	AKH	KMD
C-1	ADDED LUBRICATED VANE LAYOUT AND DATASHEET	10/08/18	PXEC0229	JLM	AJL



OPTIONAL:

CONFIDENTIAL DISCLOSURE:  
This drawing is the property of the CAMPBELL GROUP of the SCOTT FETZER COMPANY and subject to return on demand. Its contents are confidential and must not be copied or submitted to outside parties for use or examination.

DRAWN BY	CHECKED BY	ENGINEERING APPROVAL
AKH	KMD	AKH
01/25/17	01/25/17	01/25/17

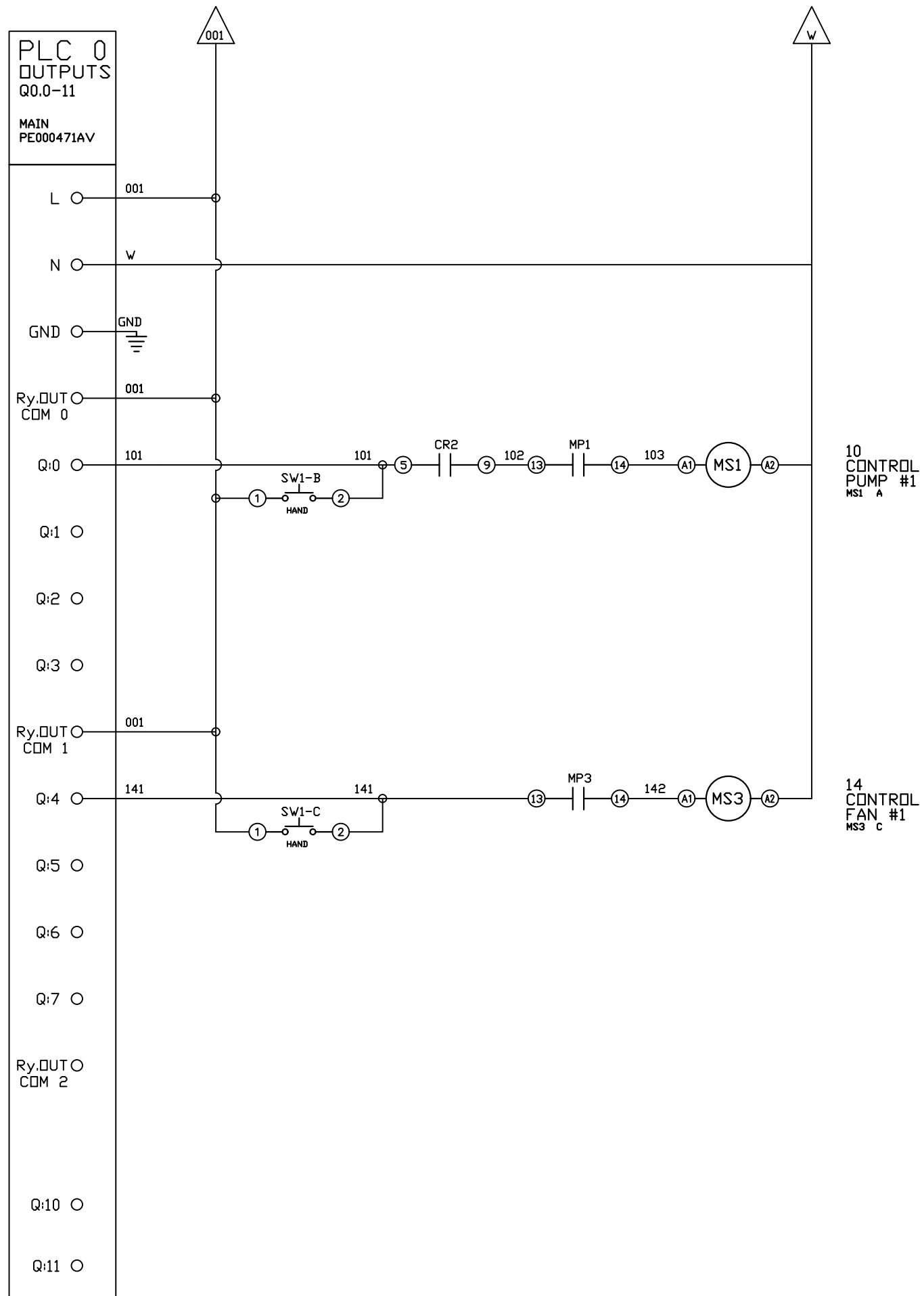
PANEL TYPE  
SIMPLEX MED VAC ENCLOSURE  
NFPA, SUB

DWG. TYPE WIRING

DWG. NO.  
PXMI-VES169

SHEET	SIZE
W-2	B

REV	REVISION	DATE	ECN	NAME	CHKD
B-1	RELEASE TO PRODUCTION	01/25/17	PXEC0099	AKH	KMD
C-1	ADDED LUBRICATED VANE LAYOUT AND DATASHEET	10/08/18	PXEC0229	JLM	AJL



OPTIONAL:



CONFIDENTIAL DISCLOSURE:  
This drawing is the property of the CAMPBELL GROUP of the SCOTT FETZER COMPANY and subject to return on demand. Its contents are confidential and must not be copied or submitted to outside parties for use or examination.

DRAWN BY	CHECKED BY	ENGINEERING APPROVAL
AKH	KMD	AKH
01/25/17	01/25/17	01/25/17

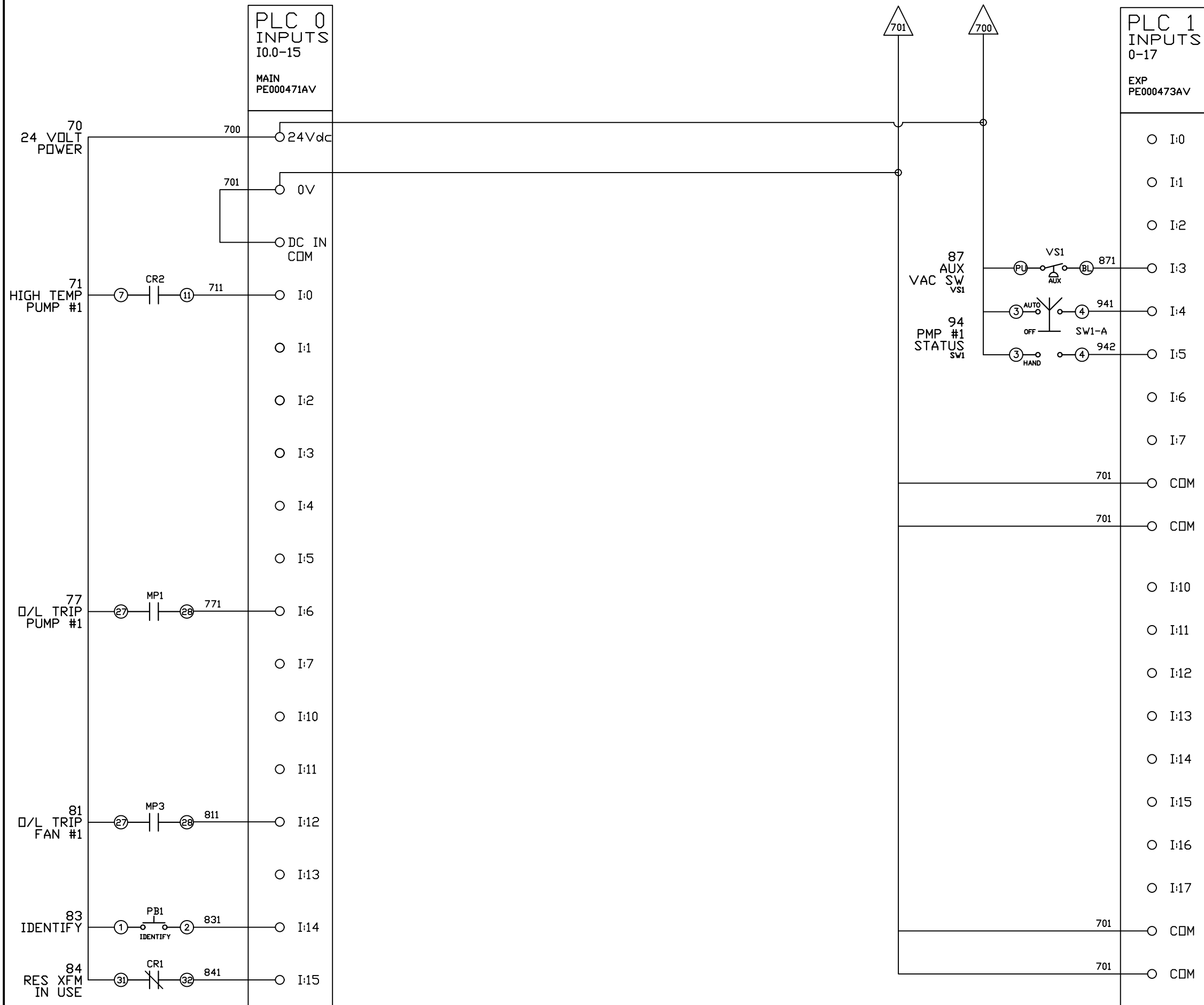
PANEL TYPE  
SIMPLEX MED VAC ENCLOSURE  
NFWA, SUB

DWG. TYPE WIRING

DWG. NO.  
PXMI-VES169

SHEET	SIZE
W-3	B

REV	REVISION	DATE	ECN	NAME	CHKD
B-1	RELEASE TO PRODUCTION	01/25/17	PXEC0099	AKH	KMD
C-1	ADDED LUBRICATED VANE LAYOUT AND DATASHEET	10/08/18	PXEC0229	JLM	AJL



OPTIONAL:

**CONFIDENTIAL DISCLOSURE:**  
This drawing is the property of the CAMPBELL GROUP of the SCOTT FETZER COMPANY and subject to return on demand. Its contents are confidential and must not be copied or submitted to outside parties for use or examination.

DRAWN BY	CHECKED BY	ENGINEERING APPROVAL
AKH	KMD	AKH
01/25/15	01/25/17	01/25/17

PANEL TYPE  
SIMPLEX MED VAC ENCLOSURE  
NFPA, SUB

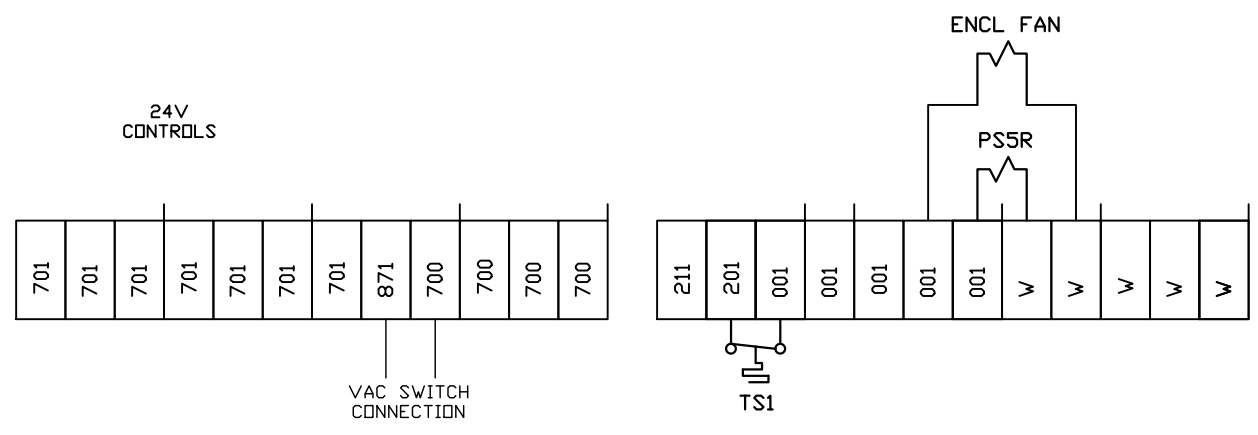
DWG. TYPE WIRING

DWG. NO.  
PXMI-VES169

SHEET	SIZE
W-4	B

REV	REVISION	DATE	ECN	NAME	CHKD
B-1	RELEASE TO PRODUCTION	01/25/17	PXEC0099	AKH	KMD
C-1	ADDED LUBRICATED VANE LAYOUT AND DATASHEET	10/08/18	PXEC0229	JLM	AJL

TERMINAL BLOCKS



FIELD WIRING NOTES:

- PANEL GROUND MUST BE CONNECTED TO EARTH GROUND
- TRANSFORMER IS SIZED FOR LOADS SHOWN ON DRAWING ONLY.
- FIELD WIRING INDICATED BY -----, WIRE TO BE COPPER RATED AT 75° C.
- ALL ALARM DRY CONTACTS ARE CLOSED FOR NORMAL OPERATION AND OPEN IN ALARM.
- DRY CONTACT RATING: 30V DC/2A (resistive load, inductive load L/R = 7 ms)
- USE CAT-5 CABLE W/RJ45 CONNECTOR FOR ETHERNET CONNECTION TO COMMUNICATION NETWORK OR BAS SYSTEM

OPTIONAL:		
<p>CONFIDENTIAL DISCLOSURE: This drawing is the property of the CAMPBELL GROUP of the SCOTT FETZER COMPANY and subject to return on demand. Its contents are confidential and must not be copied or submitted to outside parties for use or examination.</p>		
DRAWN BY	CHECKED BY	ENGINEERING APPROVAL
AKH	KMD	AKH
01/25/17	01/25/17	01/25/17
PANEL TYPE		
SIMPLEX MED VAC ENCLOSURE NFWA, SUB		
DWG. TYPE WIRING		
DWG. NO.		
PXMI-VES169		
SHEET		SIZE
W-5		B

TABLE 1

PANEL DATA 3 $\phi$ - 50/60 Hz 500VA CONTROL CIRCUIT						(B) BRANCH CIRCUIT PROTECTION - PROVIDED BY INSTALLER		
PANEL PART NUMBER	MOTOR SIZE EACH	POWER (V/PH)	PUMP MOTOR LOAD EACH (FLA)	FAN MOTOR LOAD EACH (FLA)	PANEL LOAD TOTAL (FLA)	NONTIME DELAY FUSE	TIME-DELAY FUSE	INVERSE-TIME CIRCUIT BREAKER
PBMIVES16952CR 5	208V/3 $\phi$	13.0	1.2	16.2	45A	30A	40A	
PBMIVES16972CR 7.5	208V/3 $\phi$	19.0	1.2	22.2	70A	40A	60A	
PBMIVES169A2CR 10	208V/3 $\phi$	25.0	1.2	28.2	90A	50A	70A	
PBMIVES169F2CR 15	208V/3 $\phi$	37.5	1.2	40.7	120A	70A	100A	
PBMIVES16953CR 5	230V/3 $\phi$	12.0	1.4	15.4	40A	25A	35A	
PBMIVES16973CR 7.5	230V/3 $\phi$	18.0	1.4	21.4	60A	35A	50A	
PBMIVES169A3CR 10	230V/3 $\phi$	23.0	1.4	26.4	80A	45A	70A	
PBMIVES169F3CR 15	230V/3 $\phi$	35.0	1.4	38.4	125A	70A	100A	
PBMIVES16954CR 5	460V/3 $\phi$	6.0	0.7	8.7	25A	15A	20A	
PBMIVES16974CR 7.5	460V/3 $\phi$	9.0	0.7	11.7	30A	20A	30A	
PBMIVES169A4CR 10	460V/3 $\phi$	11.5	0.7	14.2	40A	25A	35A	
PBMIVES169F4CR 15	460V/3 $\phi$	17.5	0.7	20.2	60A	35A	50A	

NOTE- ADJUST OVERCURRENT PROTECTION DEVICE NOT TO EXCEED  
115% OF MOTOR NAMEPLATE FLA VALUE

REV	REVISION	DATE	ECN	NAME	CHKD
B-1	RELEASE TO PRODUCTION	01/25/17	PXEC0099	AKH	KMD
C-1	ADDED LUBRICATED VANE LAYOUT AND DATASHEET	10/08/18	PXEC0229	JLM	AJL

CONTROL TRANSFORMERS - 500VA					
FUSE		208	230	460 380	575
TYPE		VOLT	VOLT	VOLT	VOLT
FU1,2A FU1,2B	FNQR	6A	5A	5A	4A
FU3A,B	FNM	7A	7A	7A	7A

SEE XFRMR FOR CONNECTIONS

WIRE TYPE TABLE			
VOLTAGE	WIRE NUMBERS	GAUGE	COLOR
120VAC	001-599	16-18AWG	RED/BLK
0VAC	W	16-18AWG	WHT/BLK
24VDC	600-999	16-18AWG	PURPLE
0VDC	701	16-18AWG	PURPLE
GND	-	VARIES	GREEN
CUSTOMER SUPPLY	01-99	16-18AWG	YELLOW

OPTIONAL:



CONFIDENTIAL DISCLOSURE:  
This drawing is the property of the CAMPBELL GROUP of the SCOTT FETZER COMPANY and subject to return on demand. Its contents are confidential and must not be copied or submitted to outside parties for use or examination.

DRAWN BY	CHECKED BY	ENGINEERING APPROVAL
AKH	KMD	AKH
01/25/17	01/25/17	01/25/17

NOTES:

- RECOMMENDED TIGHTENING TORQUES FOR WIRE TERMINALS:  
208-575 VOLT POWER 35 POUND INCHES  
120 VOLT POWER AND CONTROL VOLTAGE 15 POUND INCHES
- PANEL GROUND MUST BE CONNECTED TO EARTH GROUND
- INSTALLER TO PROVIDE MAIN DISCONNECTING DEVICE WITH SHORT CIRCUIT PROTECTION FOR THIS ELECTRICAL ASSEMBLY. SEE TABLE 1-B/R ON DATA TABLE PAGE FOR REQUIREMENTS.
- ALL WIRES MUST BE LABELED ON BOTH ENDS
- TRANSFORMER IS SIZED FOR LOADS SHOWN ON DRAWING ONLY. DO NOT CONNECT ANY OTHER DEVICES
- $\Delta$  -INDICATES A DRAWING WIRE CONNECTION TO ANOTHER PAGE.

FIELD WIRING NOTES ON PAGE W-6

### SEQUENCE OF OPERATIONS

During normal operation the PBMI controller will signal the Lead pump to run when vacuum drops to lead cut-in set-point and run for a 10-minute minimum period before stopping when the vacuum reaches the lead cut-out set-point. Lead alternation to the next pump, will occur every 30-minutes. If demand cannot be satisfied by the lead pump, the lag pump(s) will start and stop based upon the lag cut-in and cut-out set-points. The HOA switch's place the pump in the following modes: Hand-turns pump on to run continuous. Off-disables pump from running. Auto-places pump in the "ready mode" and will start and stop based on sequence described above.

Expandable systems include all control devices, operators, and programming for the maximum number of pumps (or plex) required. To expand the system: navigate to the "service screen" and enter the number of pumps.

Additional information and descriptions can be accessed through the HMI "service info" screen by pressing Sequence of Operations button.

PANEL TYPE  
RIETSCHLE CLAW VAC  
3PH SIMPLEX PANEL DATA

DWG. TYPE DATA

DWG. NO.  
PXMI-VES169

SHEET	SIZE
D-1	B

TABLE 1

PANEL DATA 3Ø - 50/60 Hz 500VA CONTROL CIRCUIT						(B) BRANCH CIRCUIT PROTECTION - PROVIDED BY INSTALLER		
PANEL PART NUMBER	MOTOR SIZE EACH	POWER (V/PH)	PUMP MOTOR LOAD EACH (FLA)	FAN MOTOR LOAD EACH (FLA)	PANEL LOAD TOTAL (FLA)	NON-TIME DELAY FUSE	TIME-DELAY FUSE	INVERSE-TIME CIRCUIT BREAKER
PBMIVES16942AJ	4	208V/3Ø	15.2	1.2	18.4	60A	35A	45A
PBMIVES16952AJ	5	208V/3Ø	15.2	1.2	18.4	60A	35A	45A
PBMIVES16972AJ	7.5	208V/3Ø	22.2	1.2	25.4	80A	45A	70A
PBMIVES169A2AJ	10	208V/3Ø	29.5	1.2	32.7	100A	60A	80A
PBMIVES16943AJ	4	230V/3Ø	13.0	1.4	16.4	50A	30A	40A
PBMIVES16953AJ	5	230V/3Ø	13.0	1.4	16.4	50A	30A	40A
PBMIVES16973AJ	7.5	230V/3Ø	20.0	1.4	23.4	70A	40A	60A
PBMIVES169A3AJ	10	230V/3Ø	26.0	1.4	29.4	90A	50A	80A
PBMIVES16944AJ	4	460V/3Ø	6.5	0.7	9.2	25A	15A	20A
PBMIVES16954AJ	5	460V/3Ø	6.5	0.7	9.2	25A	15A	20A
PBMIVES16974AJ	7.5	460V/3Ø	10.0	0.7	12.7	35A	25A	30A
PBMIVES169A4AJ	10	460V/3Ø	13.0	0.7	15.7	45A	30A	40A

NOTE- ADJUST OVERCURRENT PROTECTION DEVICE NOT TO EXCEED  
115% OF MOTOR NAMEPLATE FLA VALUE

REV	REVISION	DATE	ECN	NAME	CHKD
B-1	RELEASE TO PRODUCTION	01/25/17	PXEC0099	AKH	KMD
C-1	ADDED LUBRICATED VANE LAYOUT AND DATASHEET	10/08/18	PXEC0229	JLM	AJL

CONTROL TRANSFORMERS - 500VA					
FUSE		208	230	460	575
TYPE		VOLT	VOLT	VOLT	VOLT
FU1,2A	FNQR	6A	5A	5A	4A
FU1,2B					
FU3A,B	FNM	7A	7A	7A	7A

SEE XFRMR FOR CONNECTIONS

WIRE TYPE TABLE			
VOLTAGE	WIRE NUMBERS	GAUGE	COLOR
120VAC	001-599	16-18AWG	RED/BLK
0VAC	W	16-18AWG	WHT/BLK
24VDC	600-999	16-18AWG	PURPLE
0VDC	701	16-18AWG	PURPLE
GND	-	VARIES	GREEN
CUSTOMER SUPPLY	01-99	16-18AWG	YELLOW

OPTIONAL:



CONFIDENTIAL DISCLOSURE:  
This drawing is the property of the CAMPBELL GROUP of the SCOTT FETZER COMPANY and subject to return on demand. Its contents are confidential and must not be copied or submitted to outside parties for use or examination.

DRAWN BY	CHECKED BY	ENGINEERING APPROVAL
AKH	KMD	AKH
01/25/17	01/25/17	01/25/17

NOTES:

- RECOMMENDED TIGHTENING TORQUES FOR WIRE TERMINALS:  
208-575 VOLT POWER 35 POUND INCHES  
120 VOLT POWER AND CONTROL VOLTAGE 15 POUND INCHES
  - PANEL GROUND MUST BE CONNECTED TO EARTH GROUND
  - INSTALLER TO PROVIDE MAIN DISCONNECTING DEVICE WITH SHORT CIRCUIT PROTECTION FOR THIS ELECTRICAL ASSEMBLY. SEE TABLE 1-B/R ON DATA TABLE PAGE FOR REQUIREMENTS.
  - ALL WIRES MUST BE LABELED ON BOTH ENDS
  - TRANSFORMER IS SIZED FOR LOADS SHOWN ON DRAWING ONLY. DO NOT CONNECT ANY OTHER DEVICES
  - △ -INDICATES A DRAWING WIRE CONNECTION TO ANOTHER PAGE.
- FIELD WIRING NOTES ON PAGE W-6

### SEQUENCE OF OPERATIONS

During normal operation the PBMI controller will signal the Lead pump to run when vacuum drops to lead cut-in set-point and run for a 10-minute minimum period before stopping when the vacuum reaches the lead cut-out set-point. Lead alternation to the next pump, will occur every 30-minutes. If demand cannot be satisfied by the lead pump, the lag pump(s) will start and stop based upon the lag cut-in and cut-out set-points. The HOA switch's place the pump in the following modes: Hand-turns pump on to run continuous. Off-disables pump from running. Auto-places pump in the "ready mode" and will start and stop based on sequence described above.

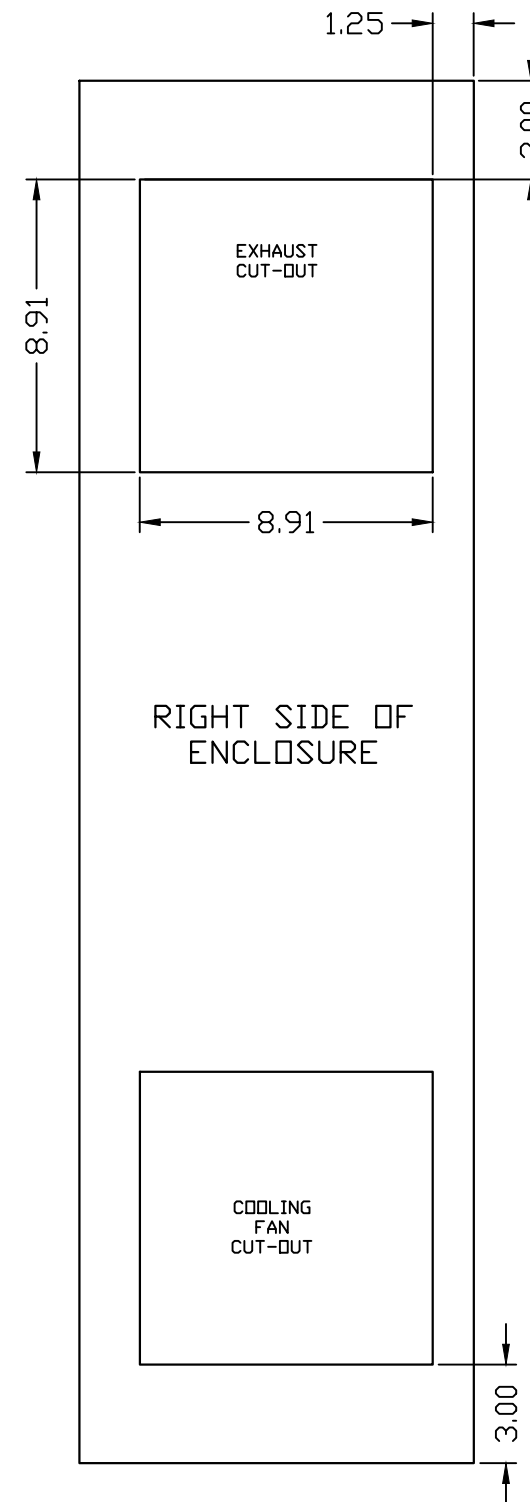
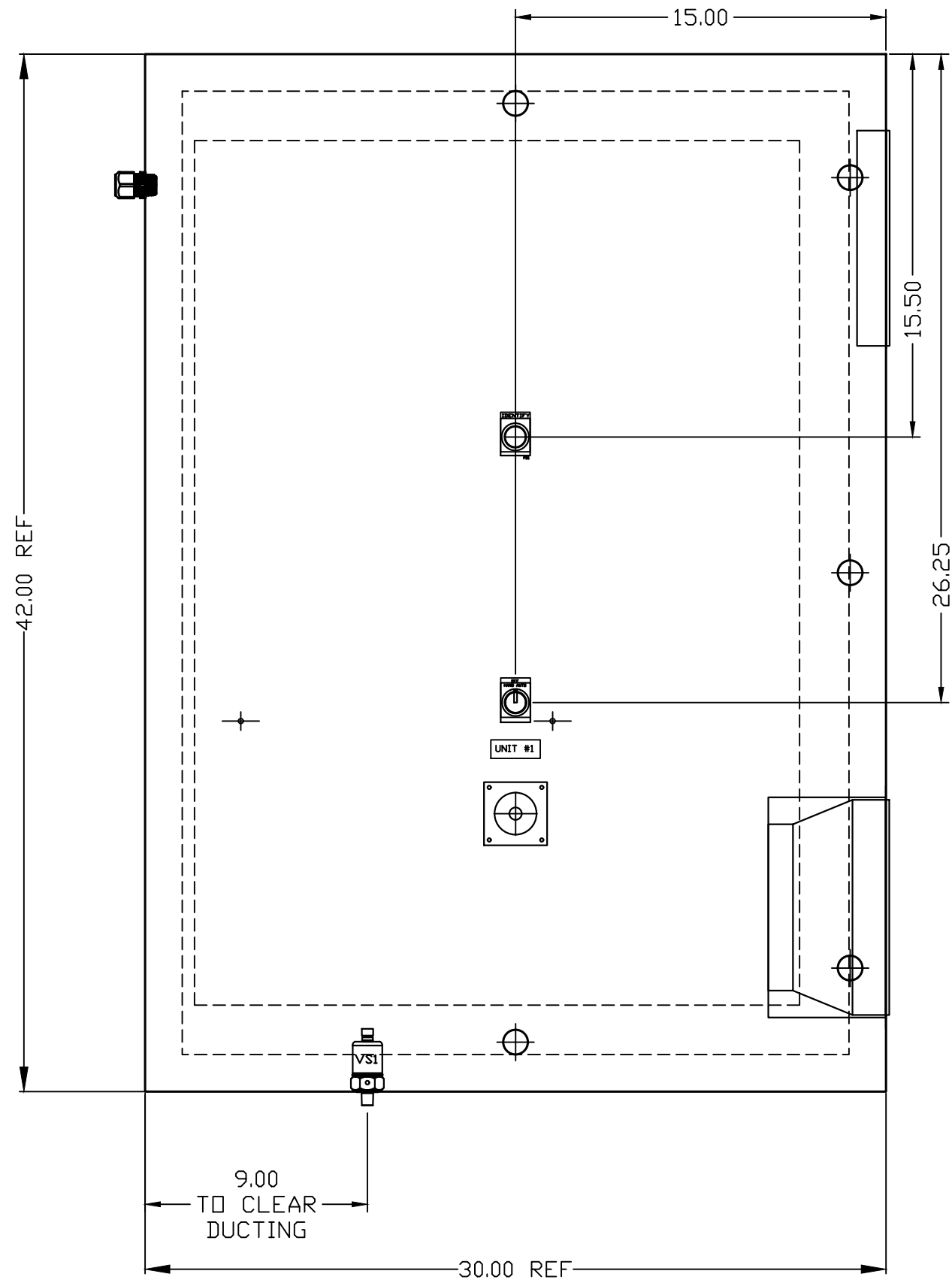
Expandable systems include all control devices, operators, and programming for the maximum number of pumps (or plex) required. To expand the system: navigate to the "service screen" and enter the number of pumps.

Additional information and descriptions can be accessed through the HMI "service info" screen by pressing Sequence of Operations button.

PANEL TYPE	
RIETSCHLE LUBE VANE VAC 3PH SIMPLEX PANEL DATA	
DWG. TYPE DATA	
DWG. NO. PXMI-VES169	
SHEET D-1	SIZE B

REV	REVISION	DATE	ECN	NAME	CHKD
B-1	RELEASE TO PRODUCTION	01/25/17	PXEC0099	AKH	KMD
C-1	ADDED LUBRICATED VANE LAYOUT AND DATASHEET	10/08/18	PXEC0229	JLM	AJL

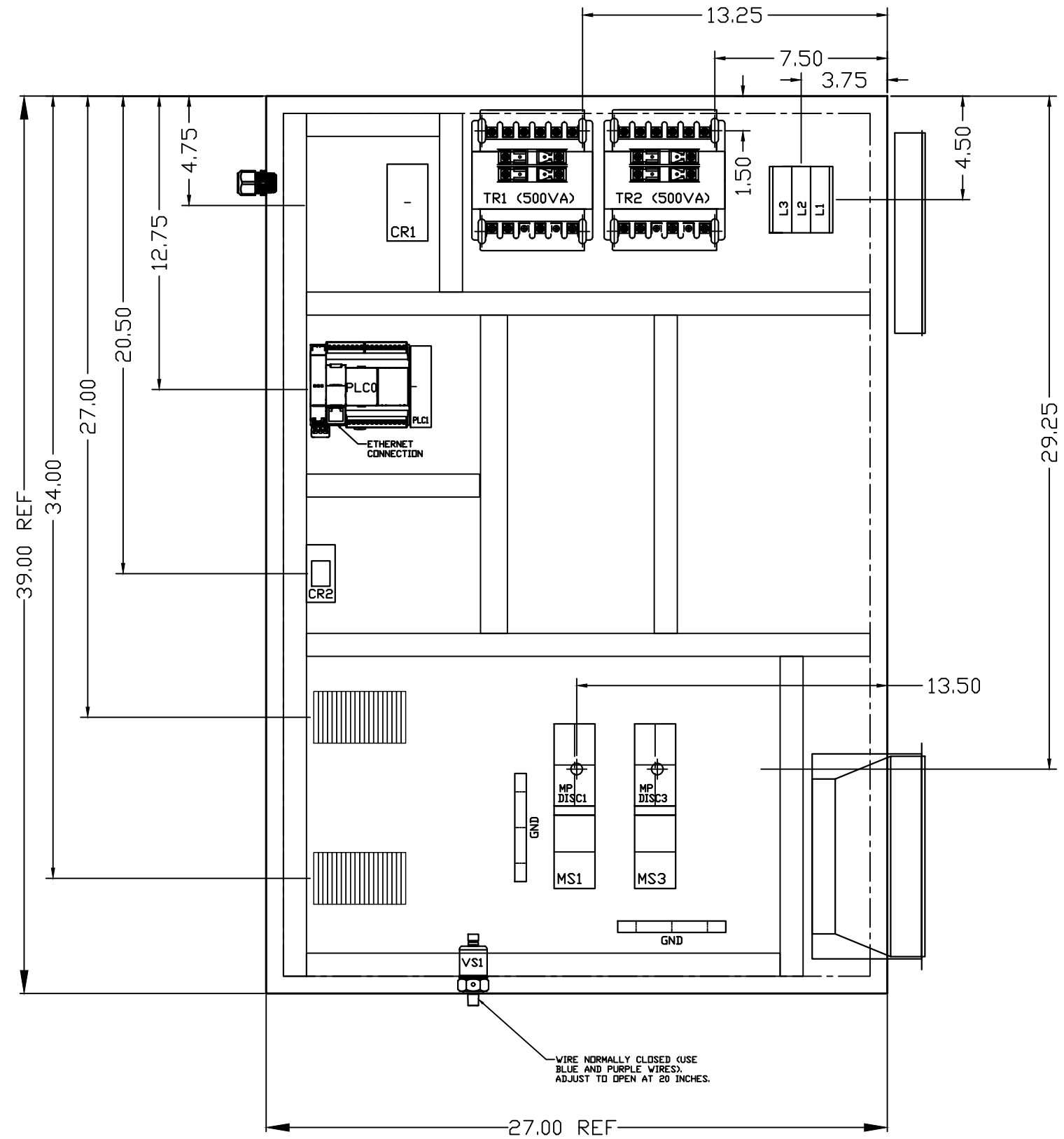
ETHERNET PASSTHROUGH CONNECTION. CONNECT TO ETHERNET RJ45 PORT ON PLC. DO NOT CONNECT TO SERIAL PORT.



OPTIONAL:		
<b>POWEREX</b> PURE AIR TECHNOLOGY		
CONFIDENTIAL DISCLOSURE: This drawing is the property of the CAMPBELL GROUP of the SCOTT FETZER COMPANY and subject to return on demand. Its contents are confidential and must not be copied or submitted to outside parties for use or examination.		
DRAWN BY	CHECKED BY	ENGINEERING APPROVAL
AKH	KMD	AKH
01/25/17	01/25/17	01/25/17
PANEL TYPE		
SIMPLEX MED VAC ENCLOSURE NFPA, SUB		
DWG. TYPE LAYOUT		
DWG. NO.		
PXMI-VES169		
SHEET		SIZE
L-1		B



REV	REVISION	DATE	ECN	NAME	CHKD
B-1	RELEASE TO PRODUCTION	01/25/17	PXEC0099	AKH	KMD
C-1	ADDED LUBRICATED VANE LAYOUT AND DATASHEET	10/08/18	PXEC0229	JLM	AJL



OPTIONAL:

CONFIDENTIAL DISCLOSURE:  
This drawing is the property of the CAMPBELL GROUP of the SCOTT FETZER COMPANY and subject to return on demand. Its contents are confidential and must not be copied or submitted to outside parties for use or examination.

DRAWN BY	CHECKED BY	ENGINEERING APPROVAL
AKH	KMD	AKH
01/25/17	01/25/17	01/25/17

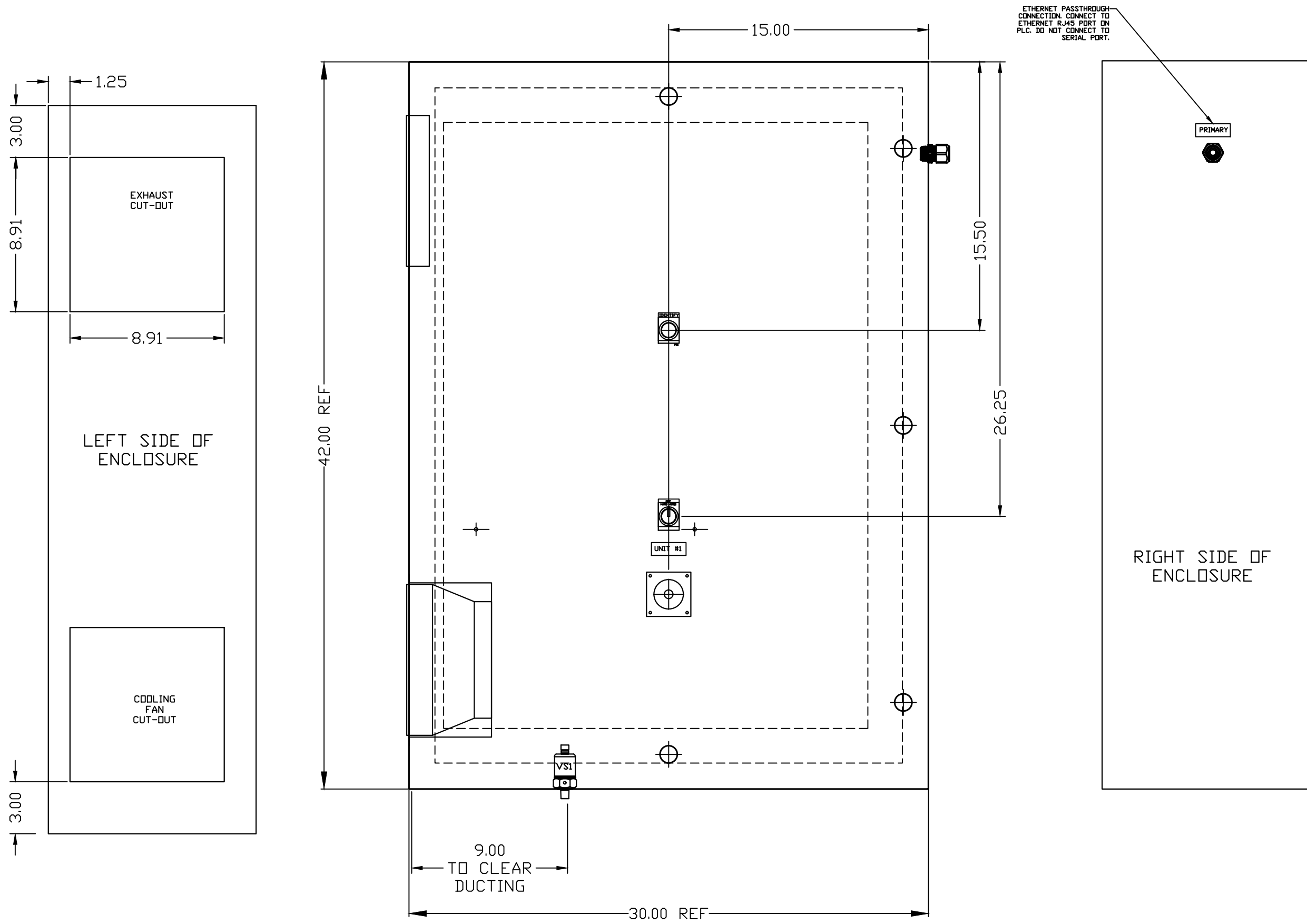
PANEL TYPE  
SIMPLEX MED VAC ENCLOSURE  
NFPA, SUB

DWG. TYPE LAYOUT

DWG. NO.  
PXMI-VES169

SHEET	SIZE
L-2	B

REV	REVISION	DATE	ECN	NAME	CHKD
B-1	RELEASE TO PRODUCTION	01/25/17	PXEC0099	AKH	KMD
C-1	ADDED LUBRICATED VANE LAYOUT AND DATASHEET	10/08/18	PXEC0229	JLM	AJL



OPTIONAL:



**CONFIDENTIAL DISCLOSURE:**  
 This drawing is the property of the CAMPBELL GROUP of the SCOTT FETZER COMPANY and subject to return on demand. Its contents are confidential and must not be copied or submitted to outside parties for use or examination.

DRAWN BY	CHECKED BY	ENGINEERING APPROVAL
AKH	KMD	AKH
01/25/17	01/25/17	01/25/17

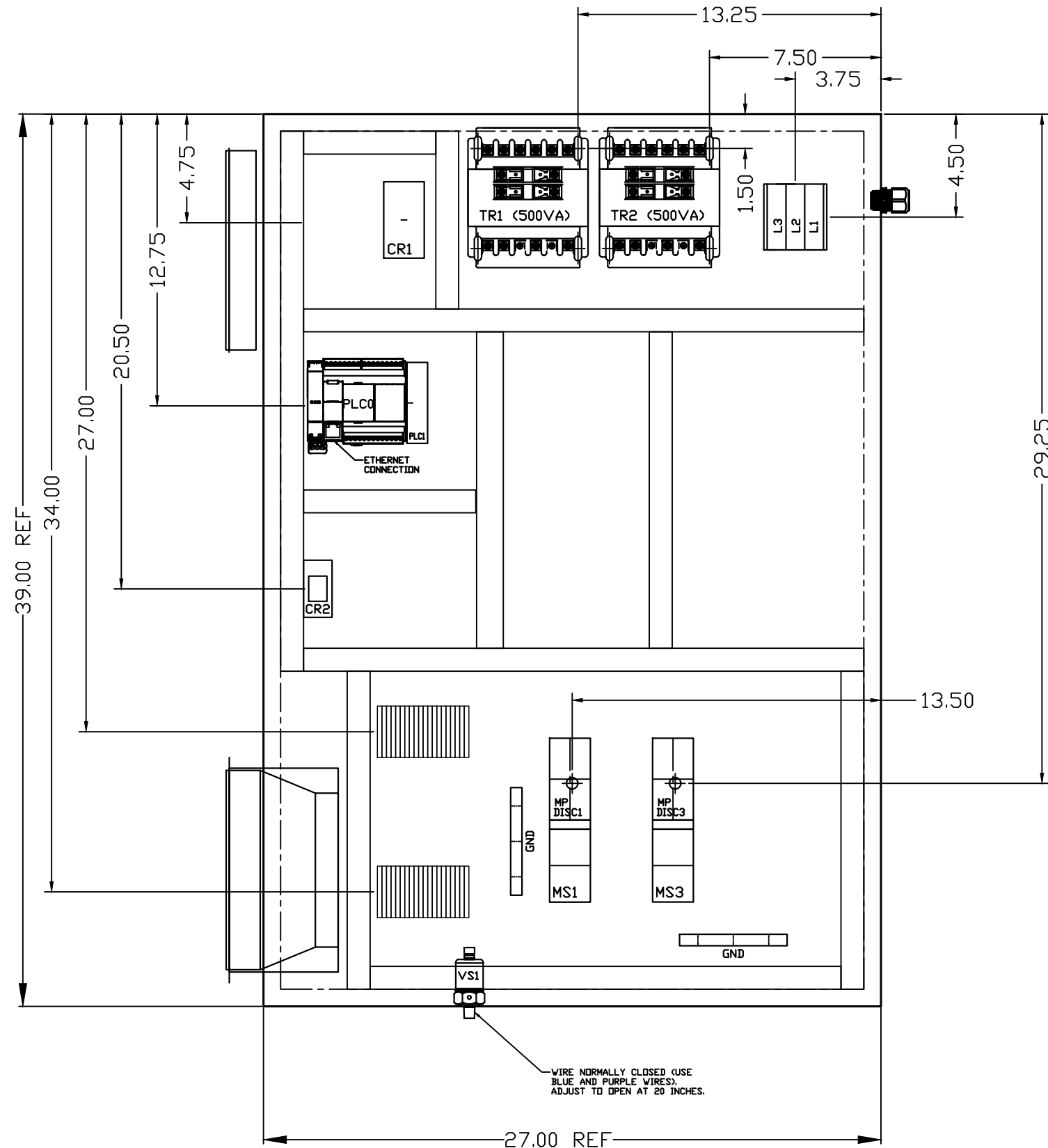
PANEL TYPE  
 SIMPLEX MED VAC ENCLOSURE  
 NFPA, SUB

DWG. TYPE LAYOUT

DWG. NO.  
 PXMI-VES169

SHEET	SIZE
L-1	B

REV	REVISION	DATE	ECN	NAME	CHKD
B-1	RELEASE TO PRODUCTION	01/25/17	PXEC0099	AKH	KMD
C-1	ADDED LUBRICATED VANE LAYOUT AND DATASHEET	10/08/18	PXEC0229	JLM	AJL



OPTIONAL:		
<p>CONFIDENTIAL DISCLOSURE:          This drawing is the property of the CAMPBELL GROUP of the SCOTT FETZER COMPANY and subject to return on demand. Its contents are confidential and must not be copied or submitted to outside parties for use or examination.</p>		
DRAWN BY	CHECKED BY	ENGINEERING APPROVAL
AKH	KMD	AKH
01/25/17	01/25/17	01/25/17
PANEL TYPE		
SIMPLEX MED VAC ENCLOSURE NFPA, SUB		
DWG. TYPE LAYOUT		
DWG. NO.		
PXMI-VES169		
SHEET		SIZE
L-2		B