

Submittal Data Sheet

Features

- Backwards compatibility with Chemetron® 560 Series outlets
- Safety keyed to help prevent cross-connections
- Conforms to NFPA 99 and CGA standards
- Modular design
- Metal rough-in assembly
- Cleaned for oxygen service
- UL listed

Specification

The Powerex CHEMDISS outlet stations provide convenient access to medical gases in patient care locations. They are fully compatible with DISS style diameter indexed threaded adapters, and are dimensionally the same as Chemetron® 560 Series outlets with component compatibility.

The outlets are field-gangable in any order desired by the facility. Outlet finish plates and rough-in plates are pin indexed using steel pins for positive cross-connection prevention. Primary valves are made of brass, nickel-plated, and contain a self-sealing poppet. Primary valves are field adjustable to compensate for variations in plaster thickness of 1/2" to 3/4". Extended valve bodies that allow for an additional 3/8" or 3/4" adjustment are available.

The type K copper inlet tube has a 1/2" OD connection, and can rotate 360 degrees. The primary gas check can be serviced without shutting off the gas supply.

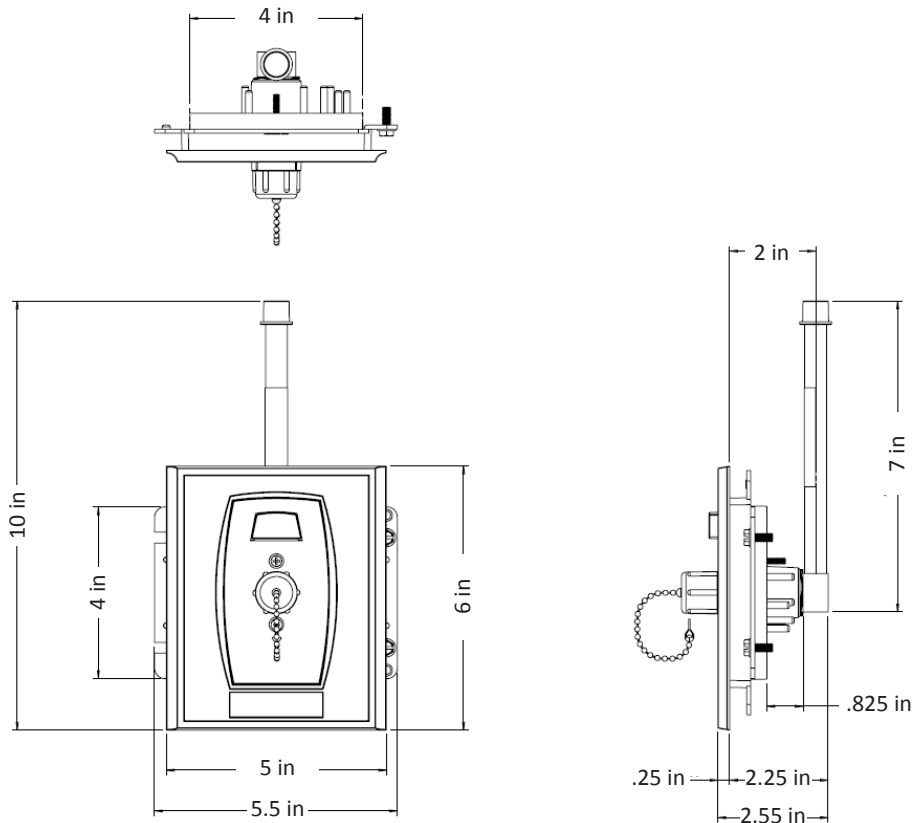
The outlet stations are fully compliant with NFPA 99, UL Listed, and are cleaned for oxygen service in accordance with CGA G-4.1. Finish plates are chrome-plated die cast metal, and rough-in is metal. Gas identification is provided by a plastic insert, color-coded by gas service.

Vacuum outlets may be used with or without slide brackets for vacuum collection bottles of up to 1/2-gallon capacity. (Where slide brackets are used, order one per vacuum outlet.)



PX-CHEMDISS-O2 shown above

Layout



Ordering Information

Gas Service	Part Number
Nitrous Oxide	PX-CHEMDISS-N2O
Carbon Dioxide	PX-CHEMDISS-CO2
Nitrogen	PX-CHEMDISS-N2
Medical Air	PX-CHEMDISS-MA
Medical Vacuum	PX-CHEMDISS-MV
Oxygen	PX-CHEMDISS-O2
WAGD	PX-CHEMDISS-WAGD
Instrument Air	N/A
Slide	PX-CHEMSLIDE

Extended Valve Bodies		
Service	Extension	Part Number
Gas	3/8" ext	PX-CYL-PRES-EXT375
	3/4" ext	PX-CYL-PRES-EXT750
Vacuum	3/8" ext	PX-CYL-VAC-EXT375
	3/4" ext	PX-CYL-VAC-EXT750

To place an order or request additional information call toll-free 1-888-769-7979, fax us at 1-513-367-3125, or email us at order@powerexinc.com. Please visit our website at www.powerexinc.com.