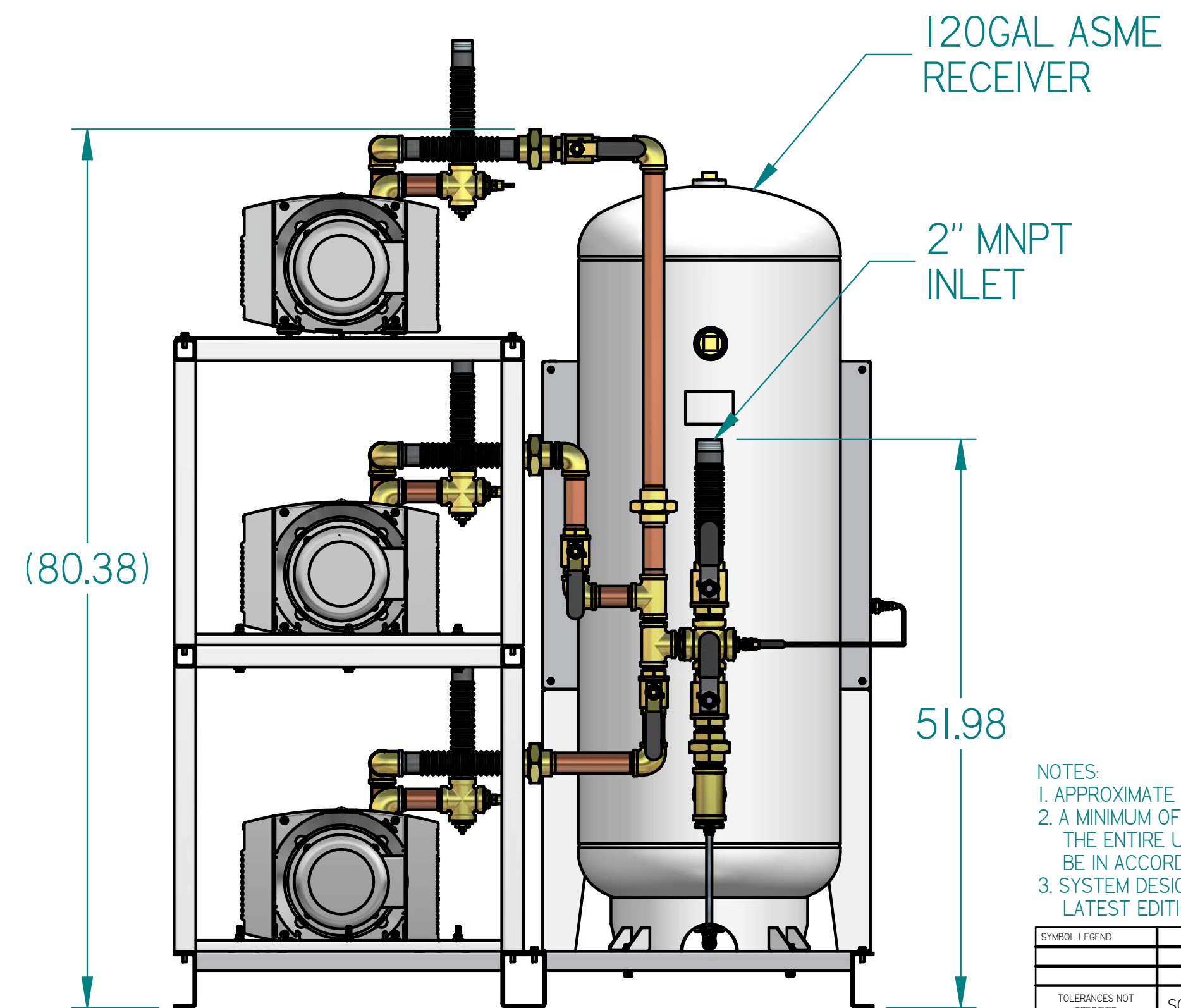
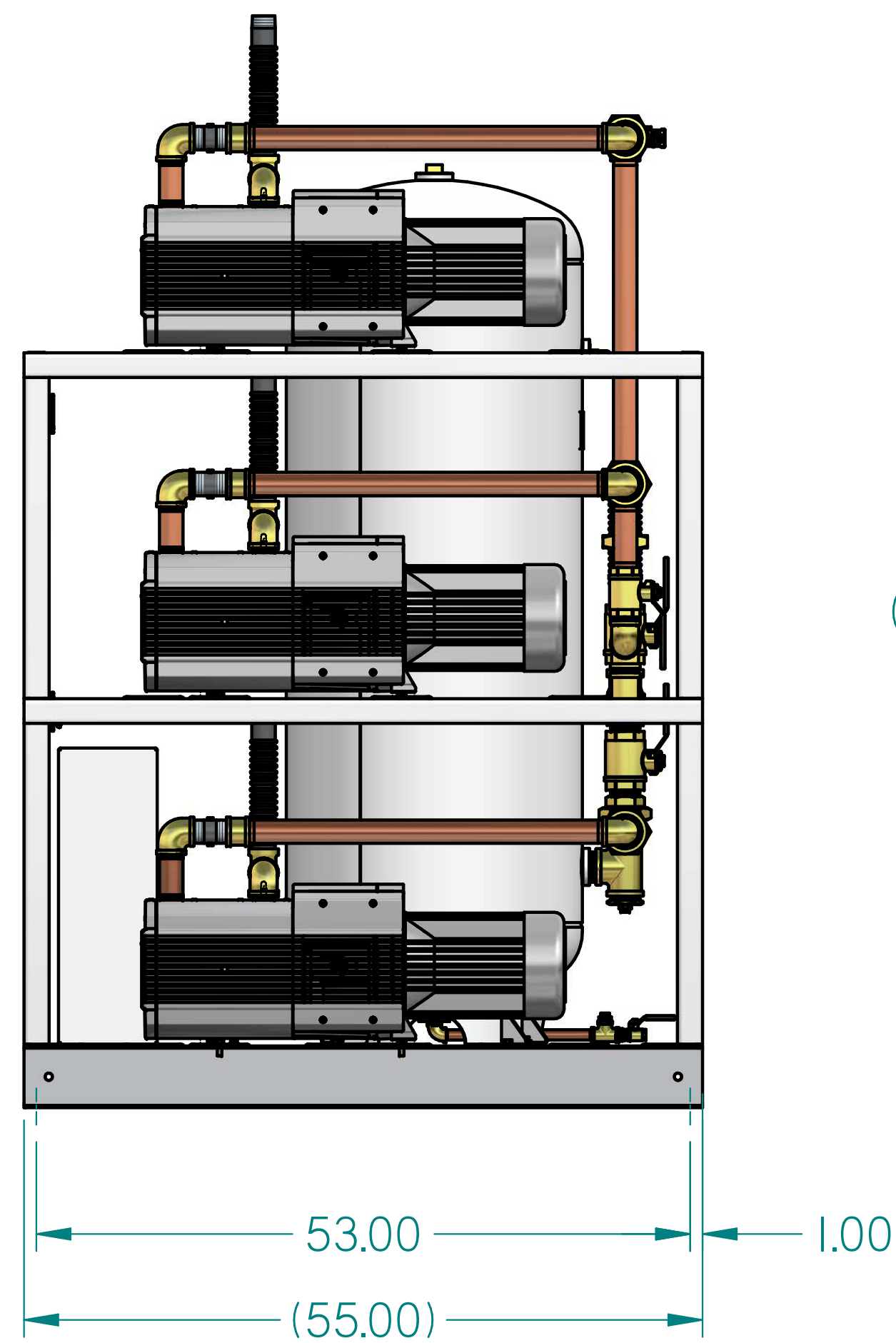
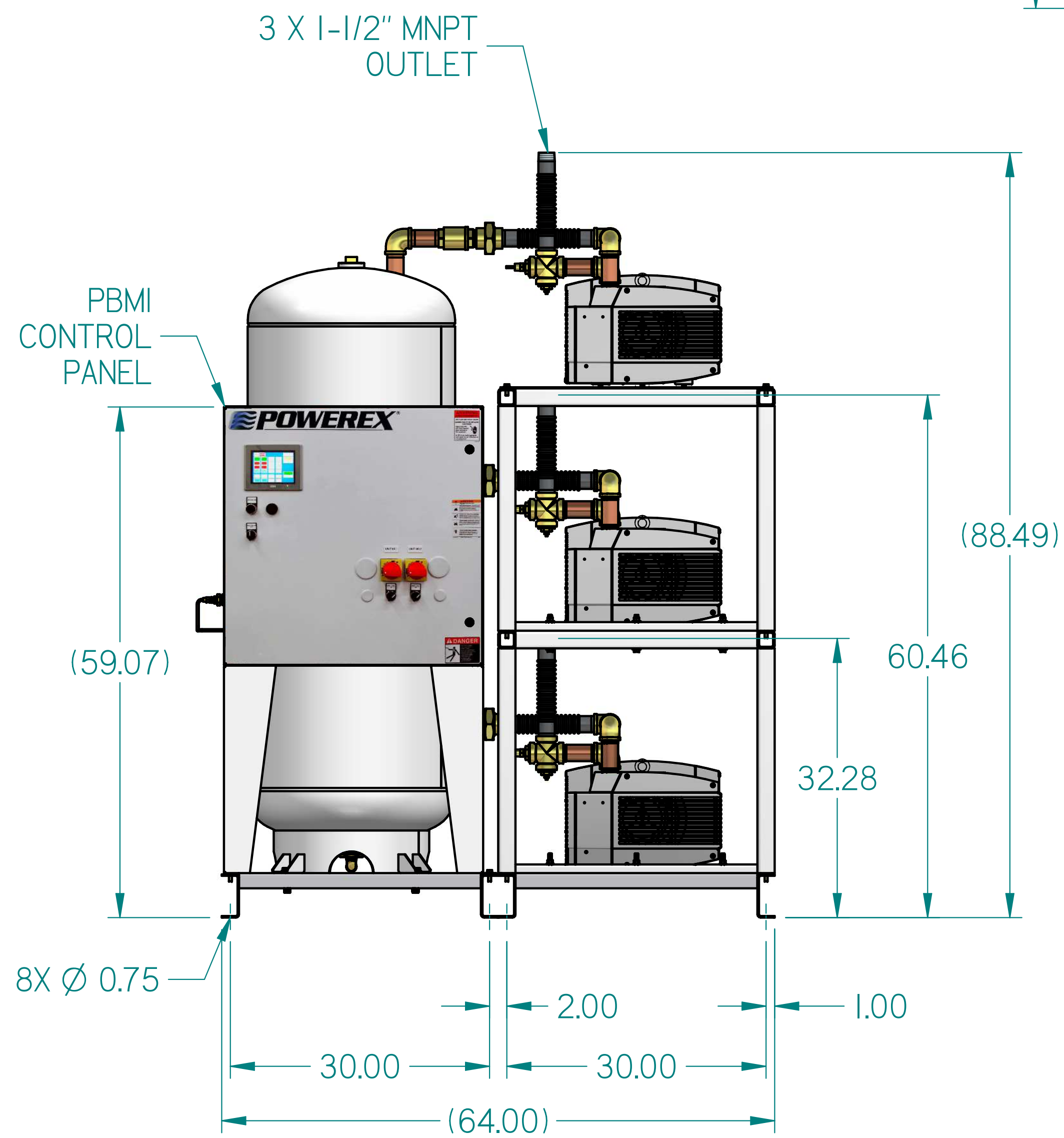
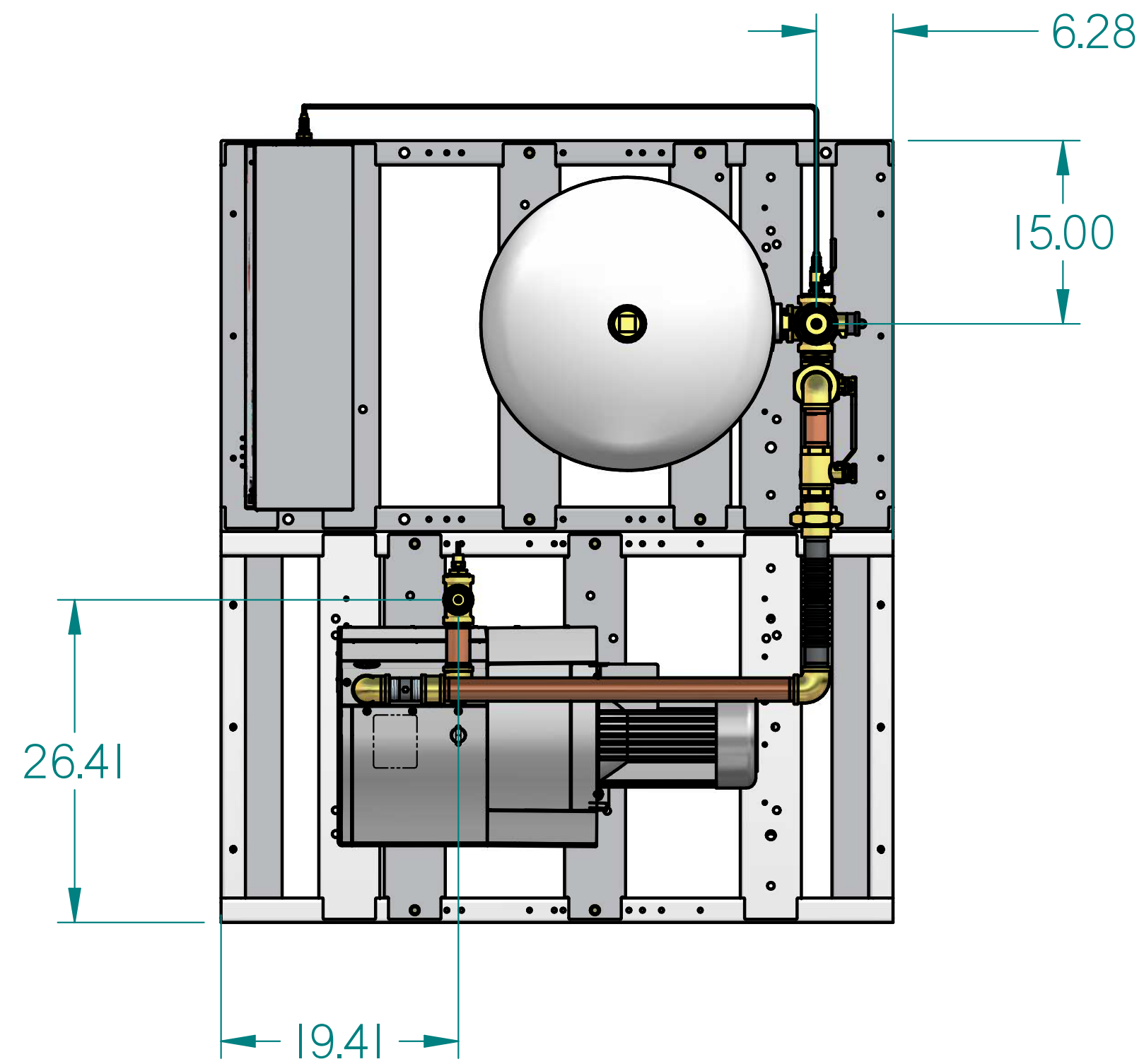


VOPT0754PI

7.5HP OILLESS VACUUM
TRIPLEX 120GAL

REVISION NOTES		
DESCRIPTION	ECN	PR/NOR
3D RELEASE	PXEC0293	N/A



- NOTES:
1. APPROXIMATE WEIGHT: 2000 lbm
 2. A MINIMUM OF 24" CLEARANCE IS RECOMMENDED AROUND THE ENTIRE UNIT. CLEARANCE FOR CONTROL PANEL SHALL BE IN ACCORDANCE WITH OSHA/NEC REQUIREMENTS.
 3. SYSTEM DESIGNED IN COMPLIANCE WITH U.S. NFPA '99, LATEST EDITION.

SYMBOL LEGEND		DRAWINGS TO CONFORM TO CURRENT REVISION OF THE FOLLOWING ANSI STANDARDS:	
TOLERANCES NOT SPECIFIED		#14.3 MULTI AND SECTIONAL VIEW DIMS	
0.00X ± .005		#14.5 DIMENSIONING AND TOLERANCING	
0.00X ± .005		INCH	
SOLID EDGE DRAWING		DO NOT SCALE DRAWING FOR DIMENSIONS	
CONFIDENTIAL DISCLOSURE		SHEET 1 OF 2	
This drawing is the property of POWEREX of the SCOTT FETTER COMPANY and is subject to return on demand. Its contents are confidential and must not be copied or submitted to outside parties for use or examination.		SCALE 1:8	
MATERIAL		APPROVALS ON FILE IN PLM	
---		TATA 06-03-2019	
ITEM ID		POWEREX	
---		150 PRODUCTION DRIVE, HARRISON OH 45030	
DESCRIPTION		DRAWING NUMBER	
7.5HP OILLESS VACUUM TRIPLEX 120GAL		VOPT0754PI	
---		REVISION	
---		D	

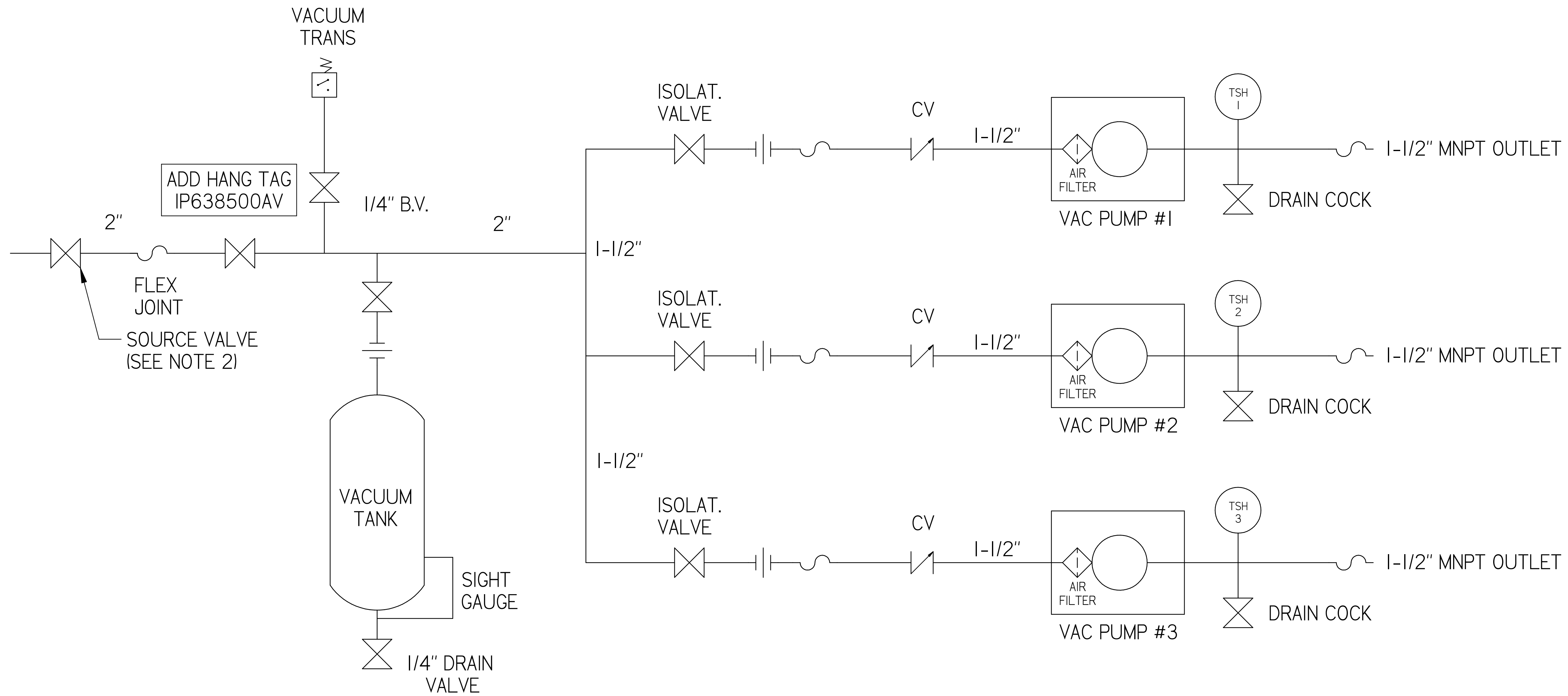


VOPT0754PI

7.5HP OILLESS VACUUM
TRIPLEX 120GAL

REVISION NOTES

DESCRIPTION	ECN	PR/NOR
3D RELEASE	PXEC0293	N/A



ADD HANG TAG
IP638500AV

FLEX
JOINT
SOURCE VALVE
(SEE NOTE 2)

VACUUM
TANK
SIGHT
GAUGE
1/4" DRAIN
VALVE

ISOLAT.
VALVE CV 1-1/2" AIR FILTER VAC PUMP #1 TSH 1 1-1/2" MNPT OUTLET DRAIN COCK

ISOLAT.
VALVE CV 1-1/2" AIR FILTER VAC PUMP #2 TSH 2 1-1/2" MNPT OUTLET DRAIN COCK

ISOLAT.
VALVE CV 1-1/2" AIR FILTER VAC PUMP #3 TSH 3 1-1/2" MNPT OUTLET DRAIN COCK

LEGEND

	TEMP. SWITCH		VACUUM SWITCH
	AIR FILTER		CHECK VALVE
	BALL VALVE		FLEX LINE
			UNION

NOTE:
A 1/4 INCH VENT PLUG IS
LOCATED IN THE FILTER HOUSING

NOTES:
1) TSH - TEMPERATURE SWITCH HIGH
2) PER NFPA THE SYSTEM WILL REQUIRE A SOURCE VALVE (SUPPLIED BY OTHERS)



SYMBOL LEGEND		DRAWINGS TO CONFORM TO CURRENT REVISION OF THE FOLLOWING ANSI STANDARDS:	
TOLERANCES NOT SPECIFIED		F14.3 MULTI AND SECTIONAL VIEW DIMS	
0.004 ± 0.001		F14.5 DIMENSIONING AND TOLERANCING	
0.004 ± 0.001		INCH	
SOLID EDGE DRAWING		DO NOT SCALE DRAWING FOR DIMENSIONS	
SHEET 2 OF 2		SCALE	1:1
CONFIDENTIAL DISCLOSURE: This drawing is the property of POWEREX of the SCOTT FETTER COMPANY and is subject to return on demand. Its contents are confidential and must not be copied or submitted to outside parties for use or examination.		AUTHOR	APPROVALS ON FILE IN PLM
TATA		06-03-2019	
ITEM ID			
MATERIAL		150 PRODUCTION DRIVE, HARRISON OH 45030	
DESCRIPTION		DRAWING NUMBER	REVISION
7.5HP OILLESS VACUUM TRIPLEX 120GAL		VOPT0754PI	
		SIZE	D