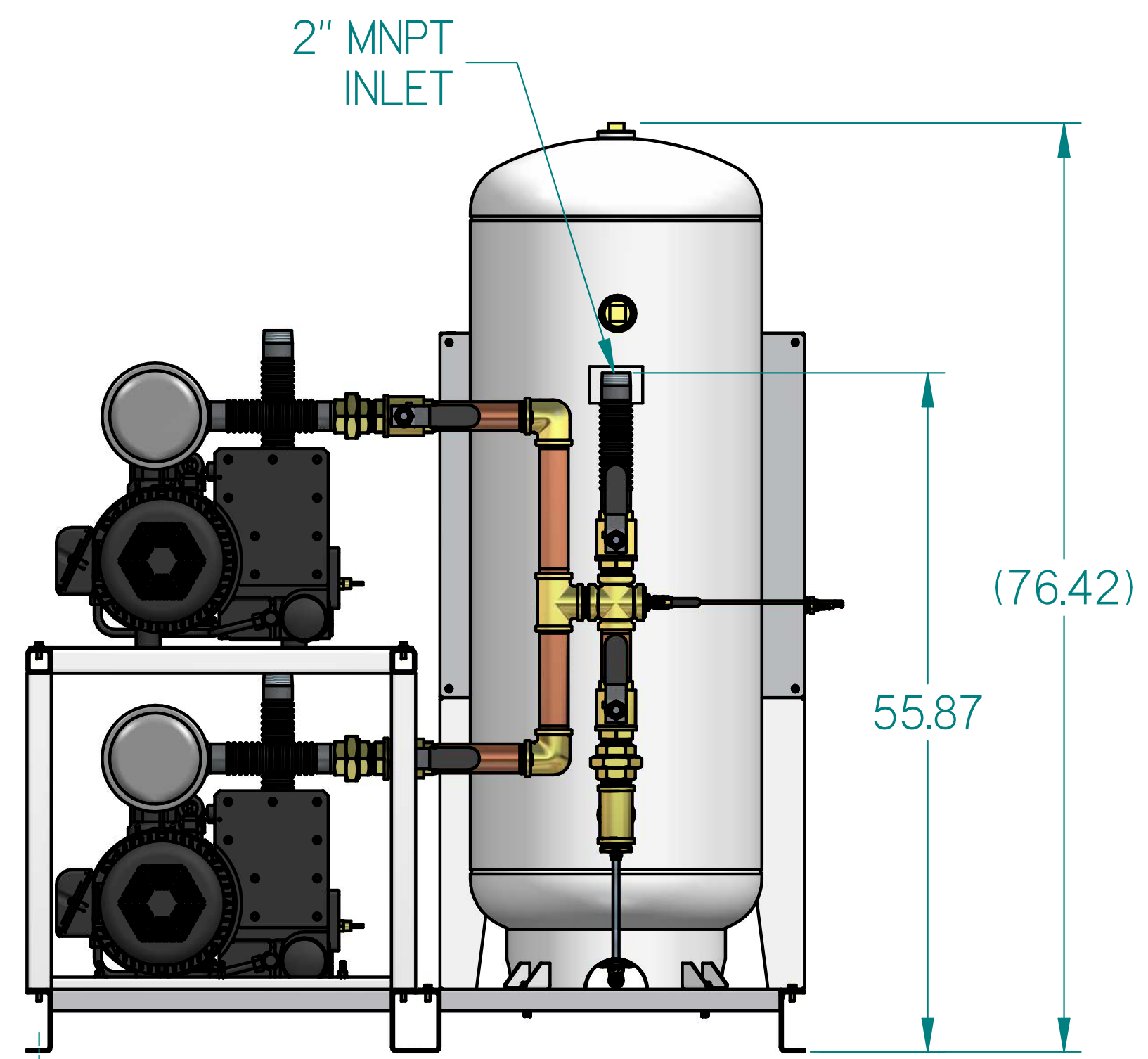
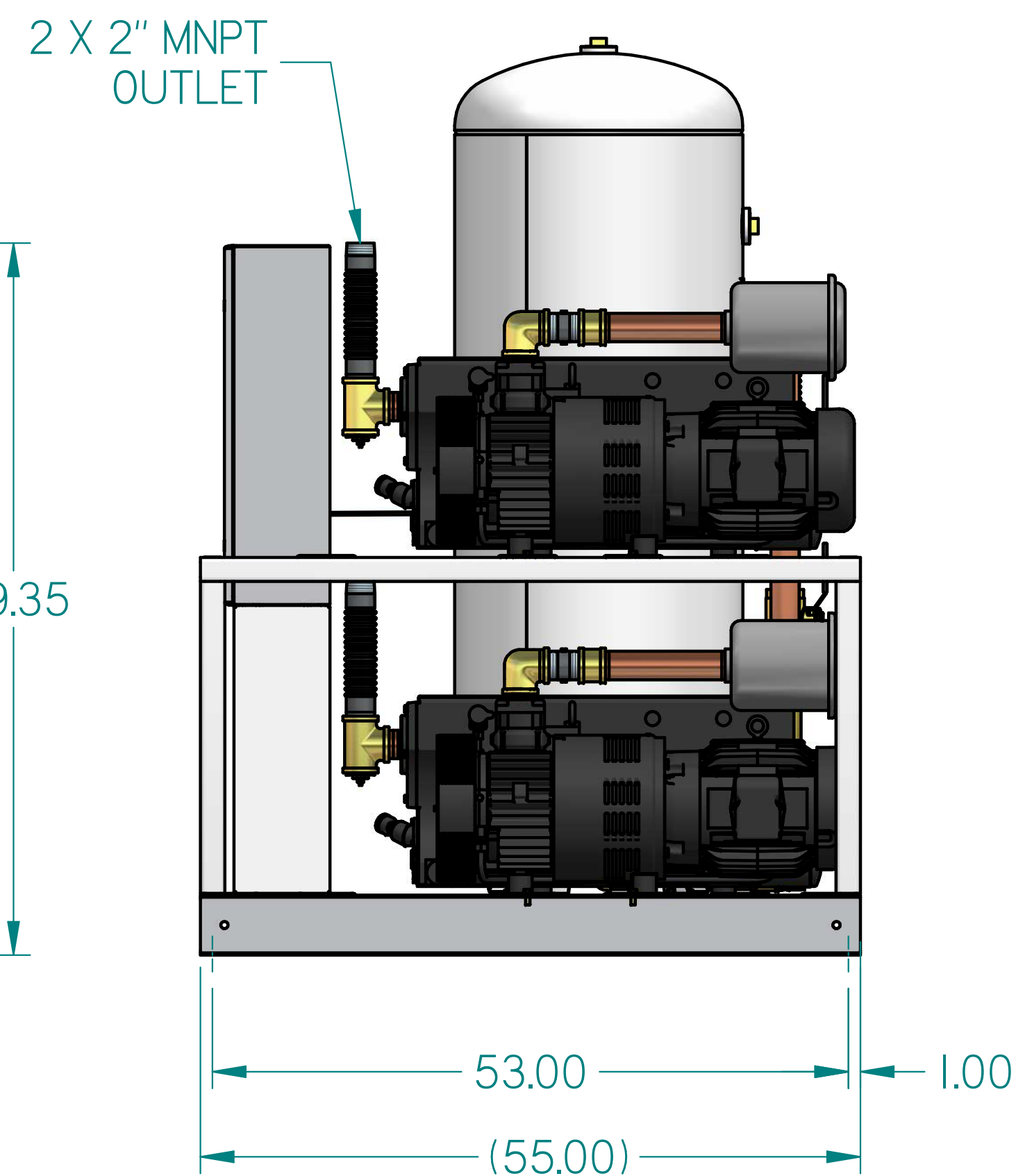
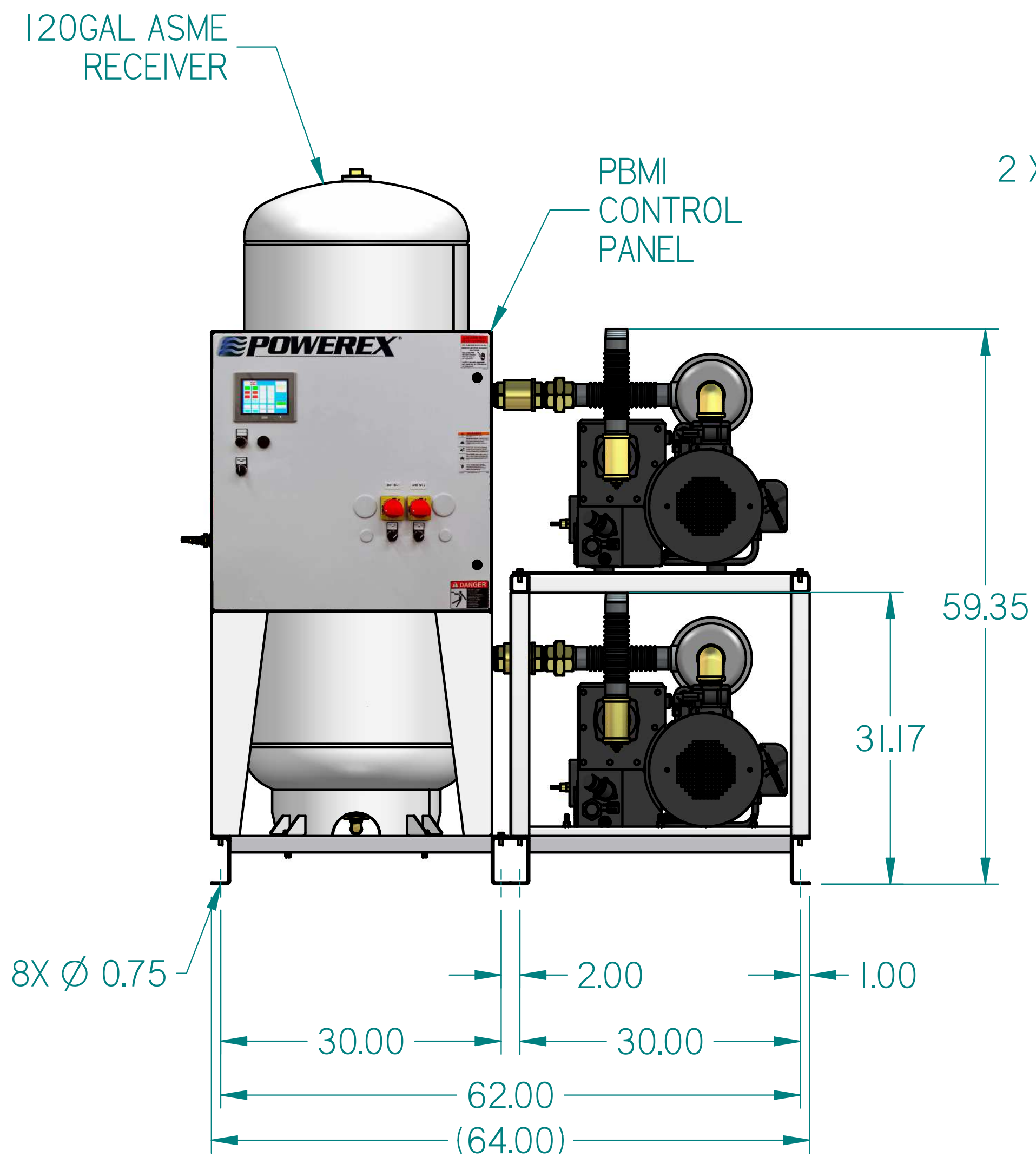
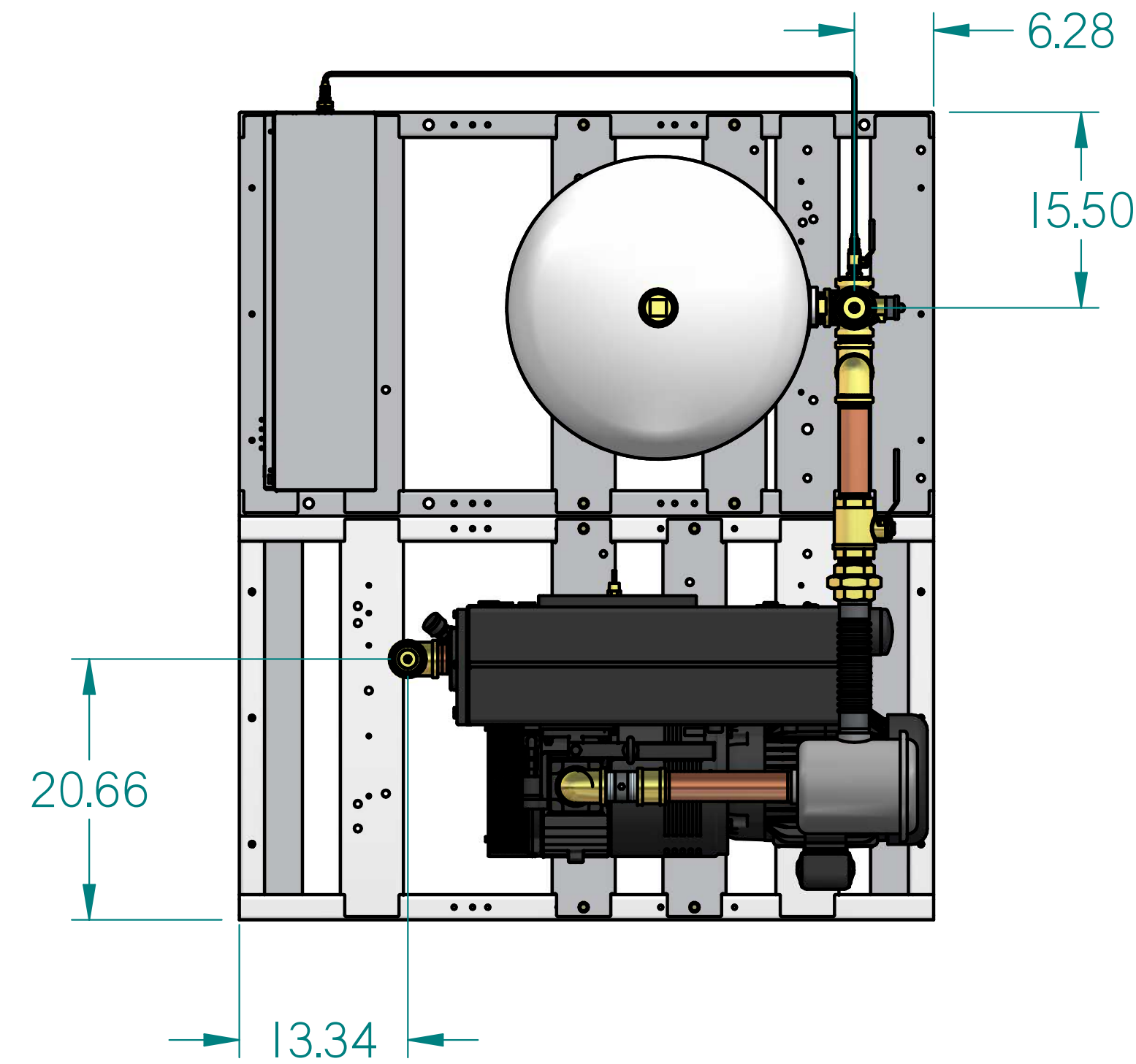


REVISION NOTES

DESCRIPTION	ECN	PR/NOR
3D RELEASE	PXEC0293	N/A

VPD0754PI
7.5 HP VACCUUM 120GAL
DUPLEX



- NOTES:
1. APPROXIMATE WEIGHT: 5429 lbm
2. A MINIMUM OF 24" CLEARANCE IS RECOMMENDED AROUND THE ENTIRE UNIT. CLEARANCE FOR CONTROL PANEL SHALL BE IN ACCORDANCE WITH OSHA/NEC REQUIREMENTS.
3. SYSTEM DESIGNED IN COMPLIANCE WITH U.S. NFPA '99, LATEST EDITION.

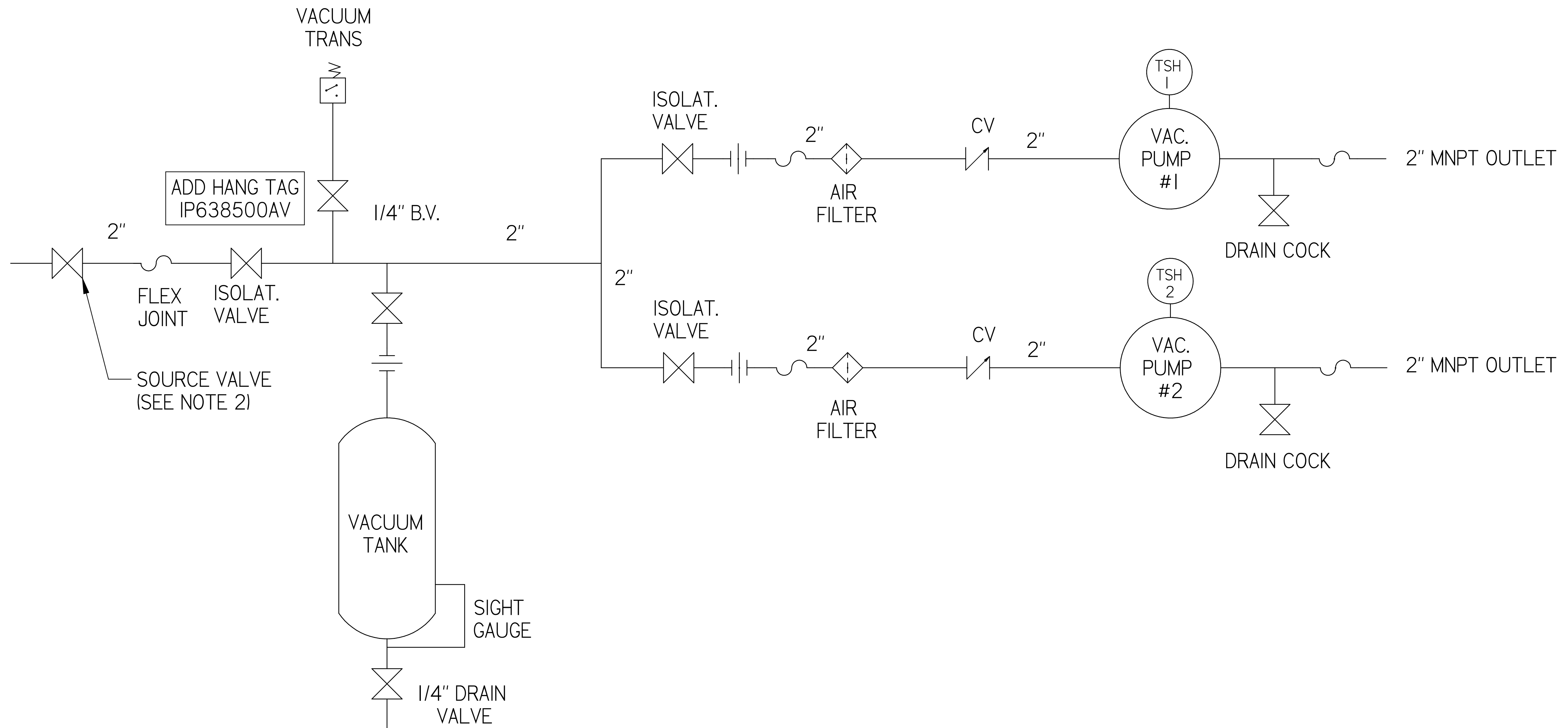
SYMBOL LEGEND		DRAWINGS TO CONFORM TO CURRENT REVISION OF THE FOLLOWING ANSI STANDARDS: #14.3 MULTI AND SECTIONAL VIEW DIMS #14.5 DIMENSIONING AND TOLERANCING	
TOLERANCES NOT SPECIFIED	SOLID EDGE DRAWING	DO NOT SCALE DRAWING FOR DIMENSIONS	
0.00X ± .005	INCH	SHEET 1 OF 2	SCALE 1:8
0.00X ± .005		APPROVALS ON FILE IN PLM	
CONFIDENTIAL DISCLOSURE: This drawing is the property of POWEREX or the SCOTT FETTER COMPANY and is subject to return on demand. Its contents are confidential and must not be copied or submitted to outside parties for use or examination.		AUTHOR	ORIGINATION DATE
ITEM ID		TATA	07-03-2019
MATERIAL			
DESCRIPTION		DRAWING NUMBER	REVISION
7.5 HP VACCUUM 120GAL DUPLEX		VPD0754PI	
			SIZE
			D



VPD0754PI

7.5 HP VACCUUM 120GAL
DUPLEX

REVISION NOTES		
DESCRIPTION	ECN	PR/NOR
3D RELEASE	PXEC0293	N/A



ADD HANG TAG
IP638500AV

FLEX JOINT
ISOLAT. VALVE

SOURCE VALVE
(SEE NOTE 2)

VACUUM TRANS

1/4" B.V.

VACUUM TANK

SIGHT GAUGE

1/4" DRAIN VALVE

ISOLAT. VALVE

2"
AIR FILTER

CV

TSH 1

VAC. PUMP #1

2" MNPT OUTLET

DRAIN COCK

ISOLAT. VALVE

2"
AIR FILTER

CV

TSH 2

VAC. PUMP #2

2" MNPT OUTLET

DRAIN COCK

LEGEND

TSH 2	TEMP. SWITCH		VACUUM SWITCH
	AIR FILTER		CHECK VALVE
	BALL VALVE		FLEX LINE
			UNION

NOTE:
A 1/4 INCH VENT PLUG IS
LOCATED IN THE FILTER HOUSING

NOTES:
1) TSH - TEMPERATURE SWITCH HIGH
2) PER NFPA THE SYSTEM WILL REQUIRE A SOURCE VALVE (SUPPLIED BY OTHERS)

SYMBOL LEGEND	DRAWINGS TO CONFORM TO CURRENT REVISION OF THE FOLLOWING ANSI STANDARDS: #14.3 MULTI AND SECTIONAL VIEW DIMS #14.5 DIMENSIONING AND TOLERANCING		
TOLERANCES NOT SPECIFIED	SOLID EDGE DRAWING	DO NOT SCALE DRAWING FOR DIMENSIONS	
0.00X ± .005	INCH	SHEET 2 OF 2	SCALE 1:1
<small>CONFIDENTIAL DISCLOSURE</small> This drawing is the property of POMEREX of the SCOTT FETTER COMPANY and is subject to return on demand. Its contents are confidential and must not be copied or submitted to outside parties for use or examination.		AUTHOR: TATA REGISTRATION DATE: 07-03-2019 APPROVALS ON FILE IN PLM	
ITEM ID: ---	 <small>150 PRODUCTION DRIVE, HARRISON OH 45030 888-768-7079</small>		
DESCRIPTION: 7.5 HP VACCUUM 120GAL DUPLEX	DRAWING NUMBER: VPD0754PI	REVISION	SIZE: D