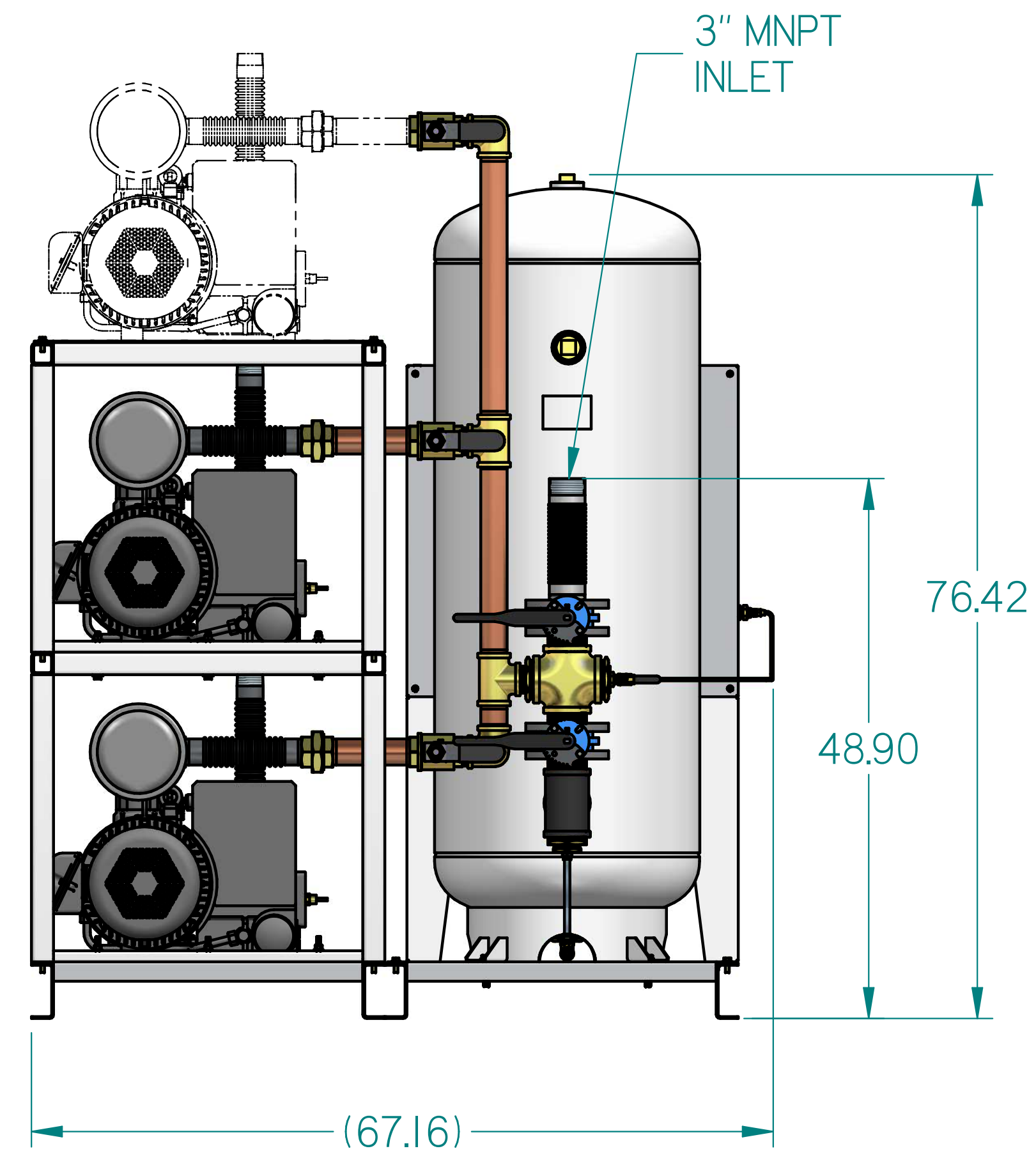
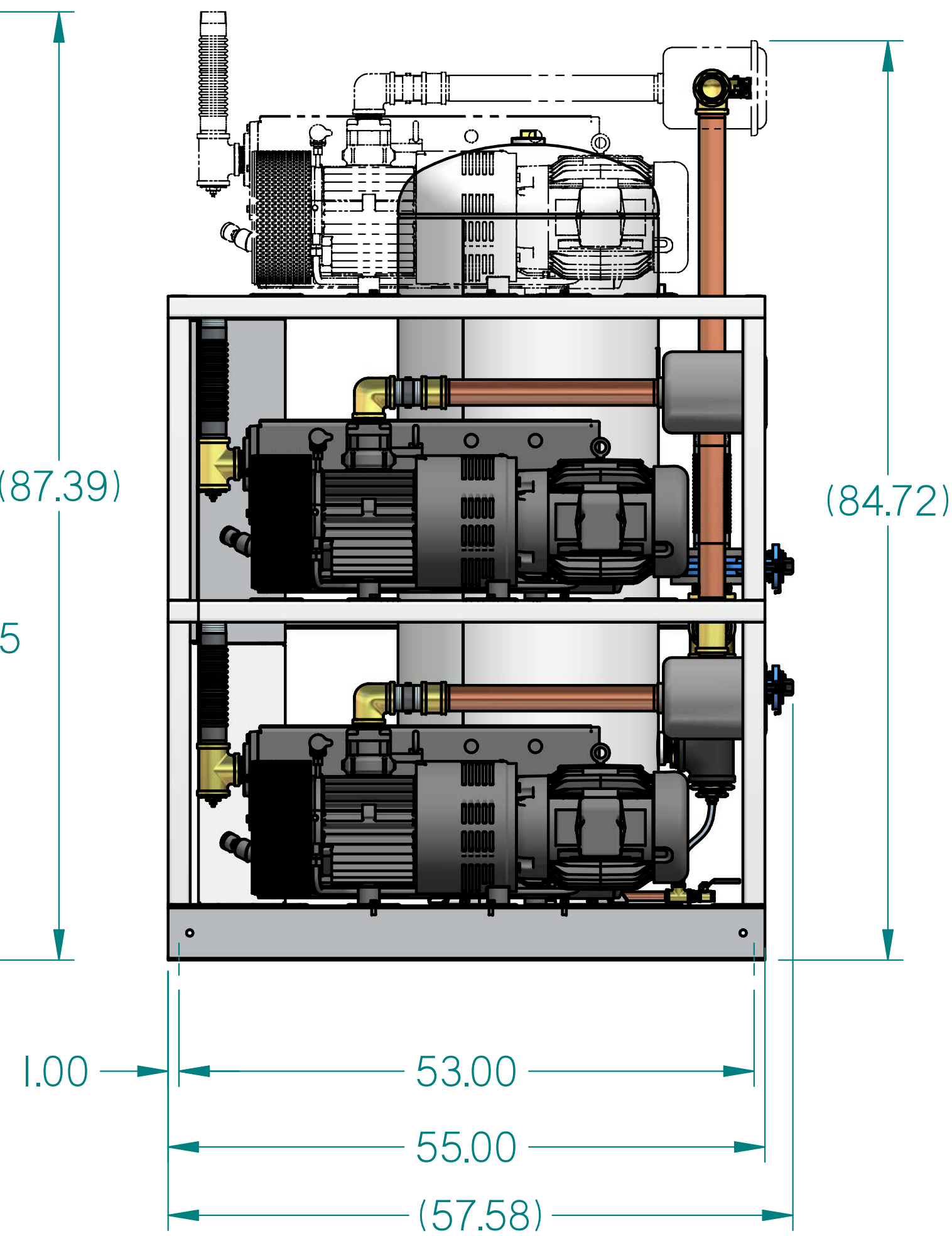
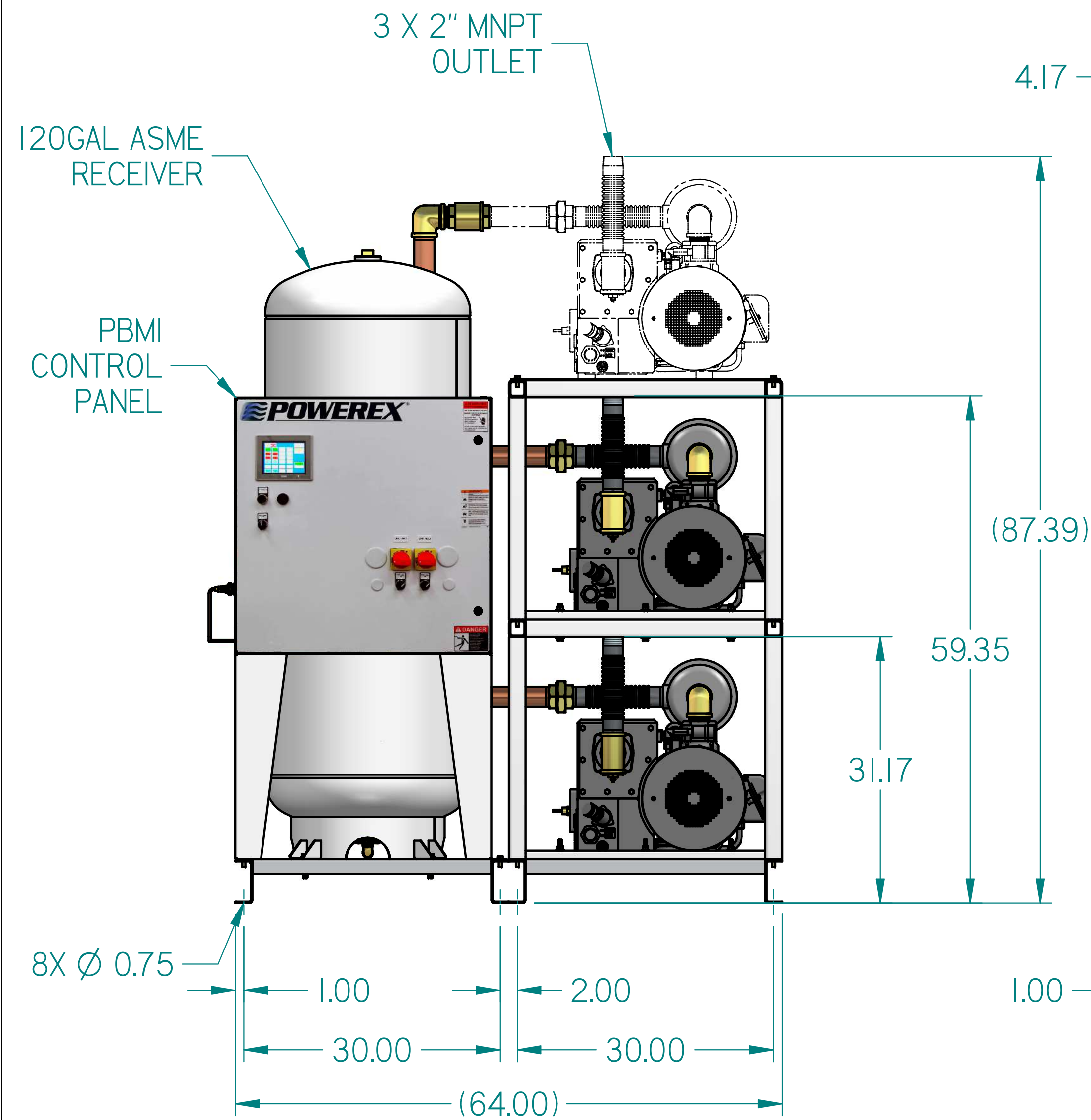
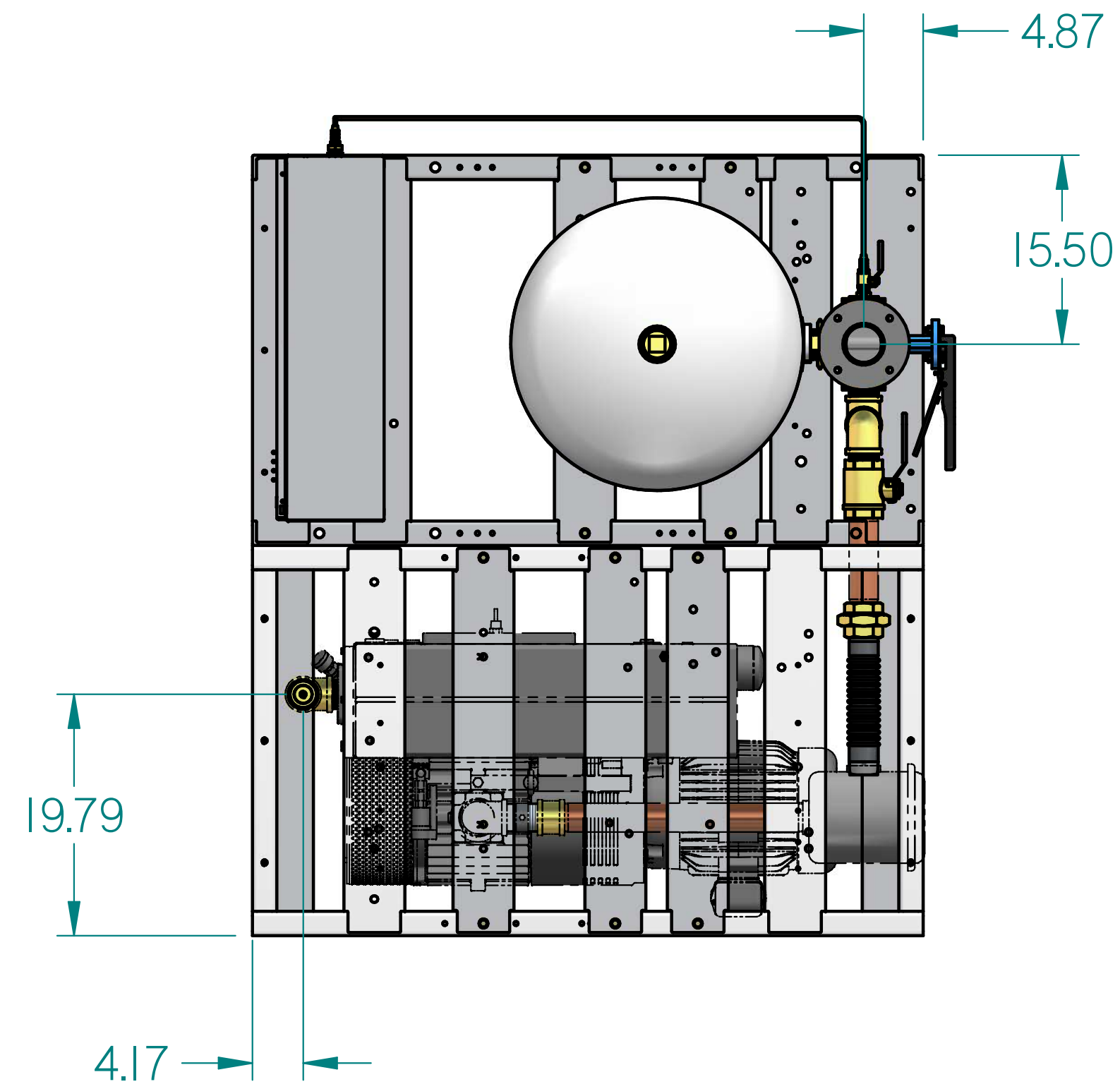


VPDI004PI-EX3

10HP VACUUM 120GAL
DUPLEX-EX3

REVISION NOTES		
DESCRIPTION	ECN	PR/NOR
3D RELEASE	PXEC0293	N/A



- NOTES:
1. APPROXIMATE WEIGHT: 2109 lbm
 2. A MINIMUM OF 24" CLEARANCE IS RECOMMENDED AROUND THE ENTIRE UNIT. CLEARANCE FOR CONTROL PANEL SHALL BE IN ACCORDANCE WITH OSHA/NEC REQUIREMENTS.
 3. SYSTEM DESIGNED IN COMPLIANCE WITH U.S. NFPA '99, LATEST EDITION.

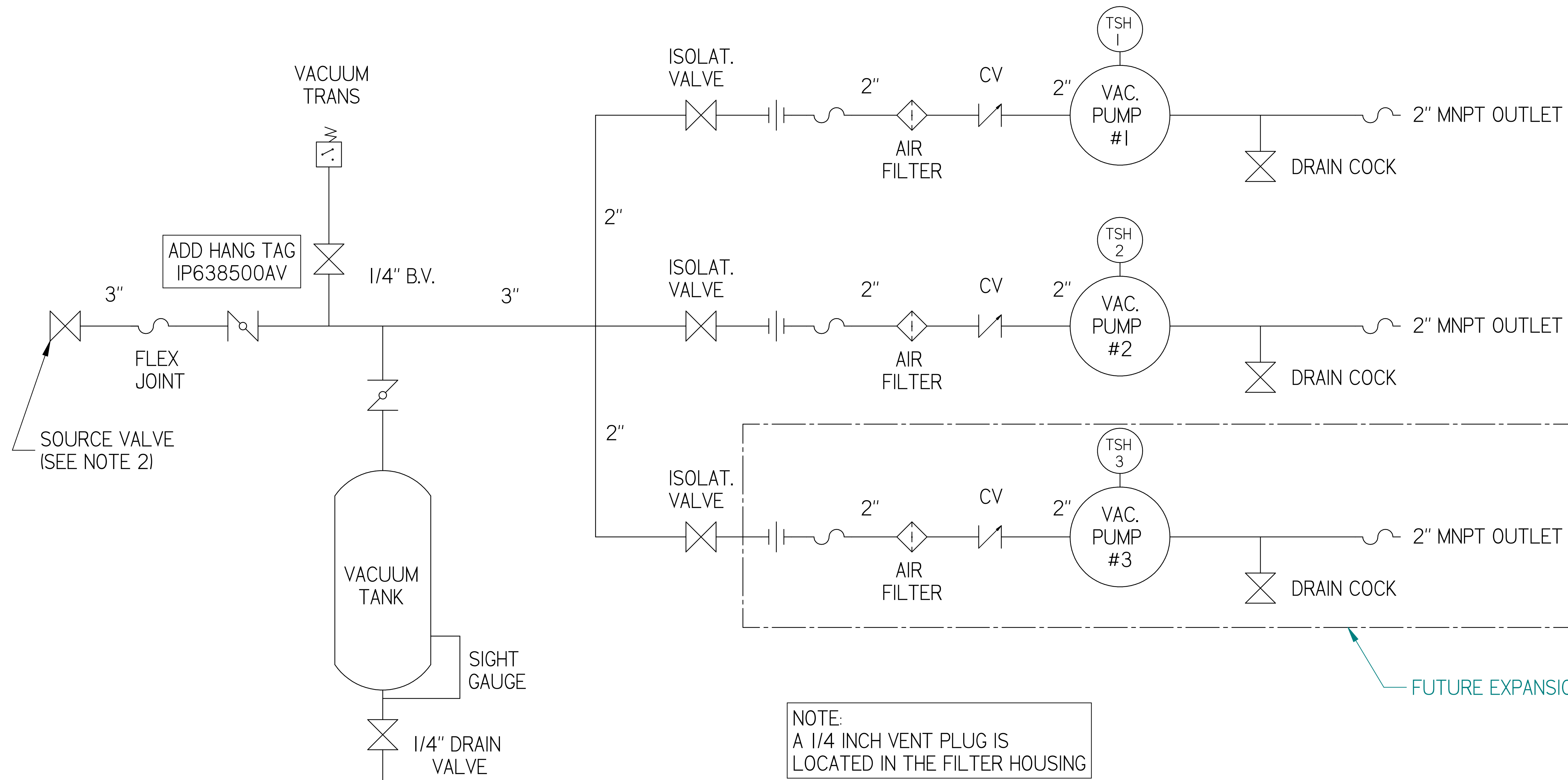
SYMBOL LEGEND		DRAWINGS TO CONFORM TO CURRENT REVISION OF THE FOLLOWING ANSI STANDARDS:	
TOLERANCES NOT SPECIFIED		#14.3 MULTI AND SECTIONAL VIEW DIMS	
D.XXX ± .005		#14.5 DIMENSIONING AND TOLERANCING	
D.XXX ± .005		INCH	
SOLID EDGE DRAWING		DO NOT SCALE DRAWING FOR DIMENSIONS	
CONFIDENTIAL DISCLOSURE: This drawing is the property of POWEREX of the SCOTT FETTER COMPANY and is subject to return on demand. Its contents are confidential and must not be copied or submitted to outside parties for use or examination.		SHEET 1 OF 2	
AUTHOR		SCALE 1:8	
ORIGINATION DATE		APPROVALS ON FILE IN PLM	
TATA		03-04-2019	
ITEM ID		POWEREX	
MATERIAL		ISO PRODUCTION DRIVE, HARRISON OH 45030	
DESCRIPTION		REVISION	
10HP VACUUM 120GAL DUPLEX-EX3		VPDI004PI-EX3	
		D	



VPDI004PI-EX3

10HP VACUUM 120GAL
DUPLEX-EX3

REVISION NOTES		
DESCRIPTION	ECN	PR/NOR
3D RELEASE	PXEC0293	N/A



NOTE:
A 1/4 INCH VENT PLUG IS
LOCATED IN THE FILTER HOUSING

FUTURE EXPANSION UNIT

LEGEND

	TEMP. SWITCH		VACUUM SWITCH
	AIR FILTER		CHECK VALVE
	BALL VALVE		FLEX LINE
	BUTTERFLY VALVE		UNION

- NOTES:
1) TSH - TEMPERATURE SWITCH HIGH
2) PER NFPA THE SYSTEM WILL REQUIRE A SOURCE VALVE (SUPPLIED BY OTHERS)

SYMBOL LEGEND		DRAWINGS TO CONFORM TO CURRENT REVISION OF THE FOLLOWING ANSI STANDARDS: #14.3 MULTI AND SECTIONAL VIEW DIMS #14.5 DIMENSIONING AND TOLERANCING	
TOLERANCES NOT SPECIFIED	SOLID EDGE DRAWING	DO NOT SCALE DRAWING FOR DIMENSIONS	
0.001 ± .001	INCH	SHEET 2 OF 2	SCALE 1:1
CONFIDENTIAL DISCLOSURE This drawing is the property of POWEREX or the SCOTT FETTER COMPANY and is subject to return on demand. Its contents are confidential and must not be copied or submitted to outside parties for use or examination.		AUTHOR	APPROVALS ON FILE IN PLM
MATERIAL		TATA	03-04-2019
ITEM ID			
DESCRIPTION 10HP VACUUM 120GAL DUPLEX-EX3		DRAWING NUMBER VPDI004PI-EX3	SIZE D

