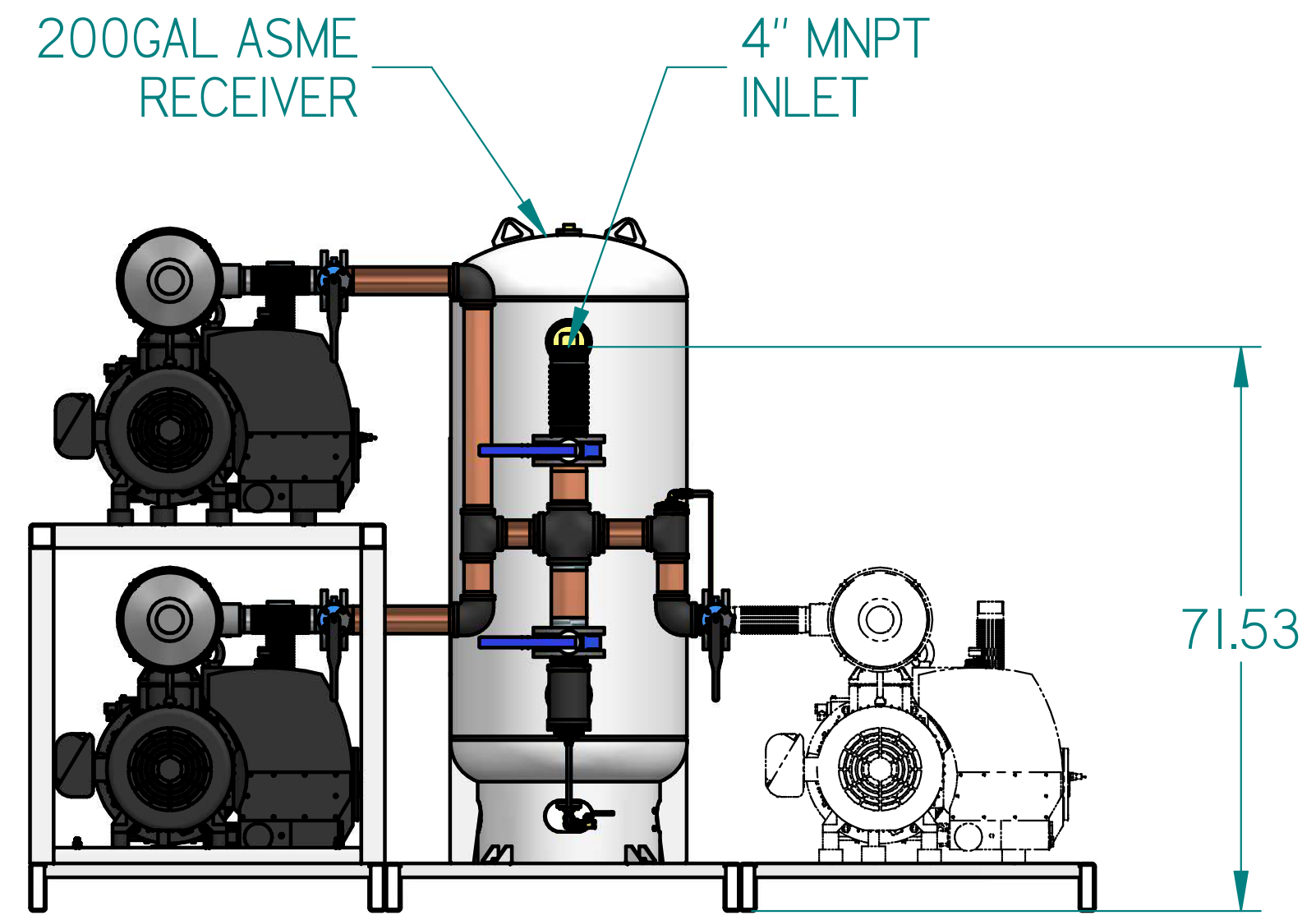
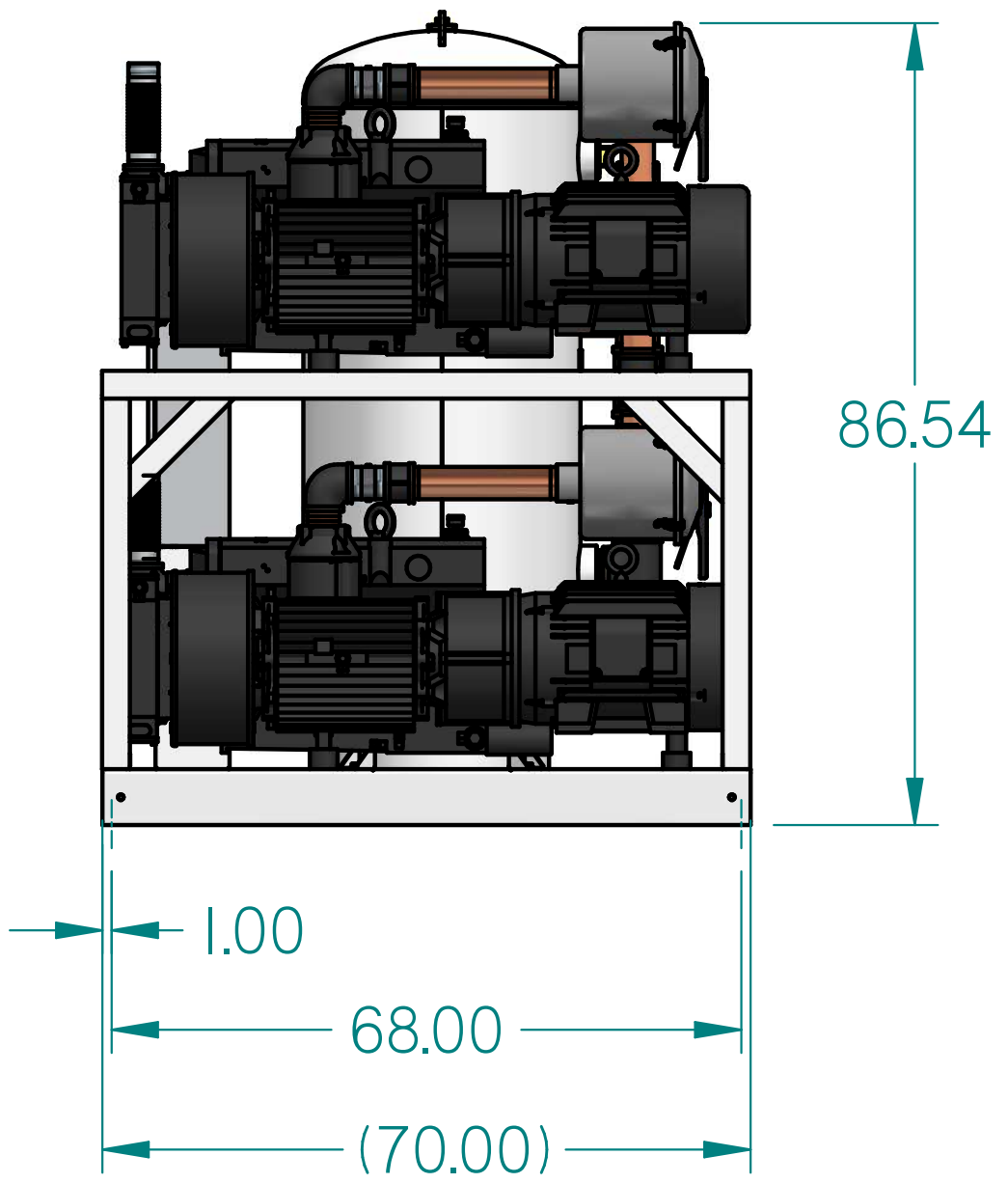
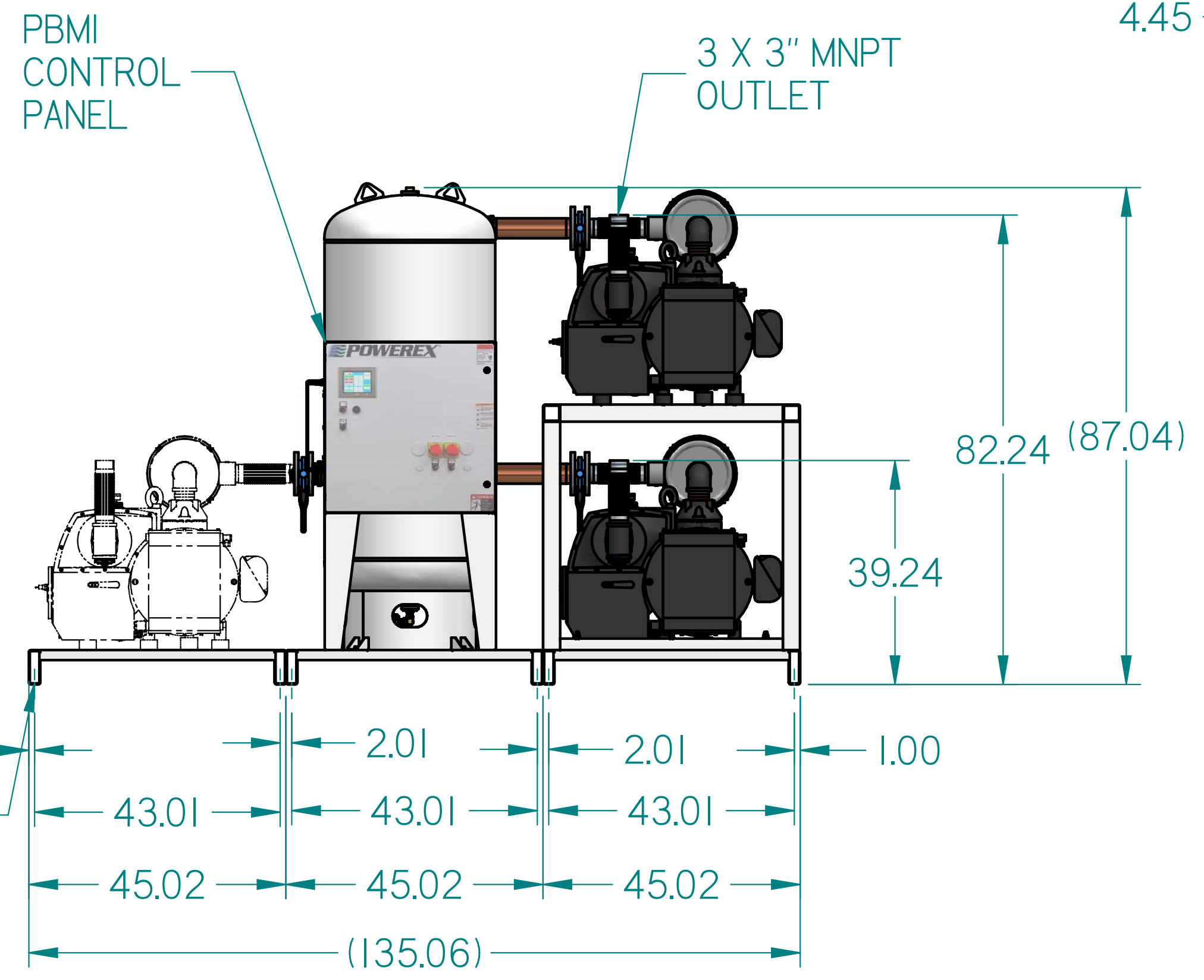
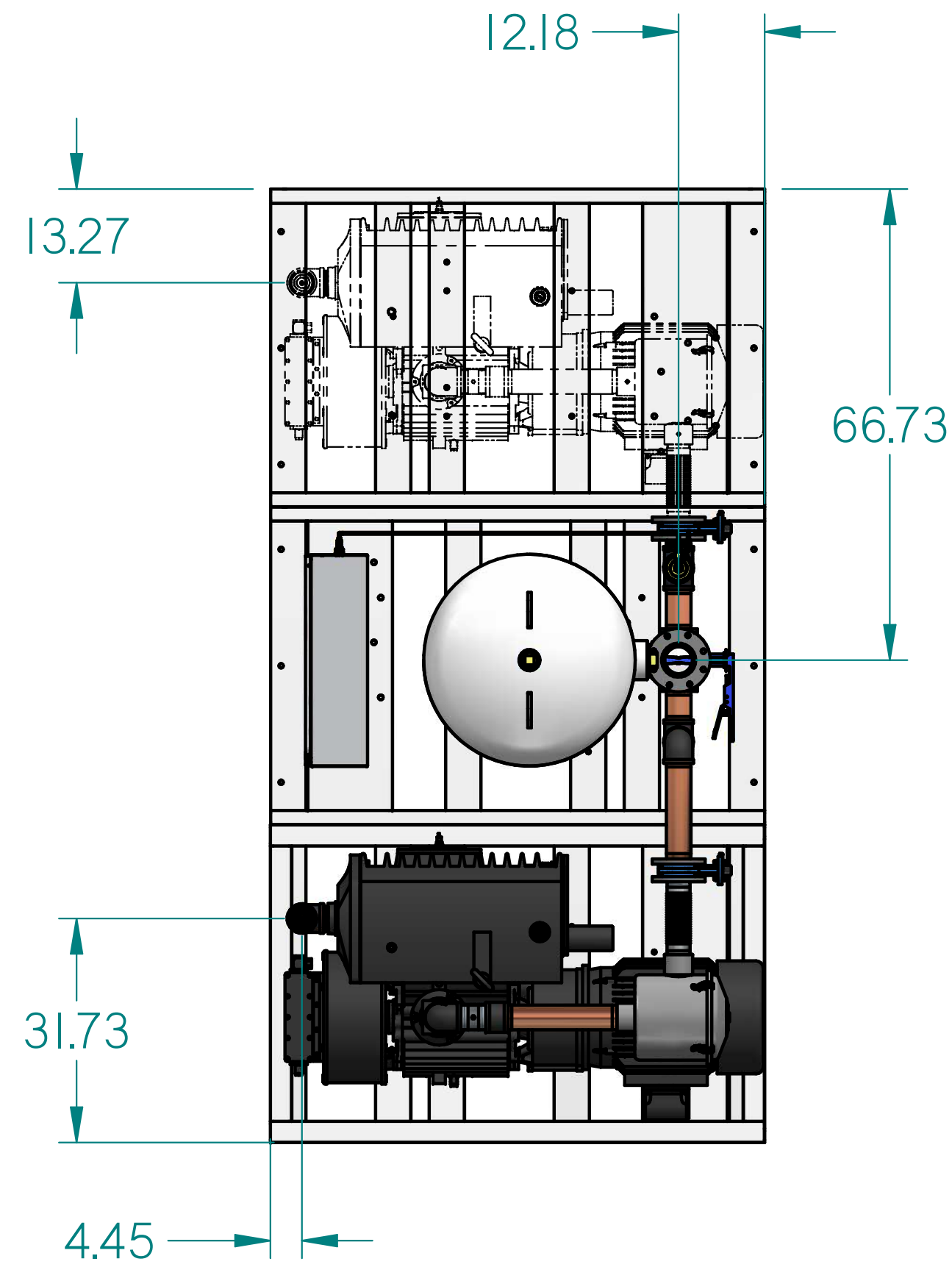


# VPD2505PI-EX3

25HP VACUUM PKG 200GAL  
DUPLEX-EX3

REVISION NOTES		
DESCRIPTION	ECN	PR/NOR
3D RELEASE	PXEC0293	N/A



- NOTES:
1. APPROXIMATE WEIGHT: 4949 lbm
  2. A MINIMUM OF 24" CLEARANCE IS RECOMMENDED AROUND THE ENTIRE UNIT. CLEARANCE FOR CONTROL PANEL SHALL BE IN ACCORDANCE WITH OSHA/NEC REQUIREMENTS.
  3. SYSTEM DESIGNED IN COMPLIANCE WITH U.S. NFPA '99, LATEST EDITION.

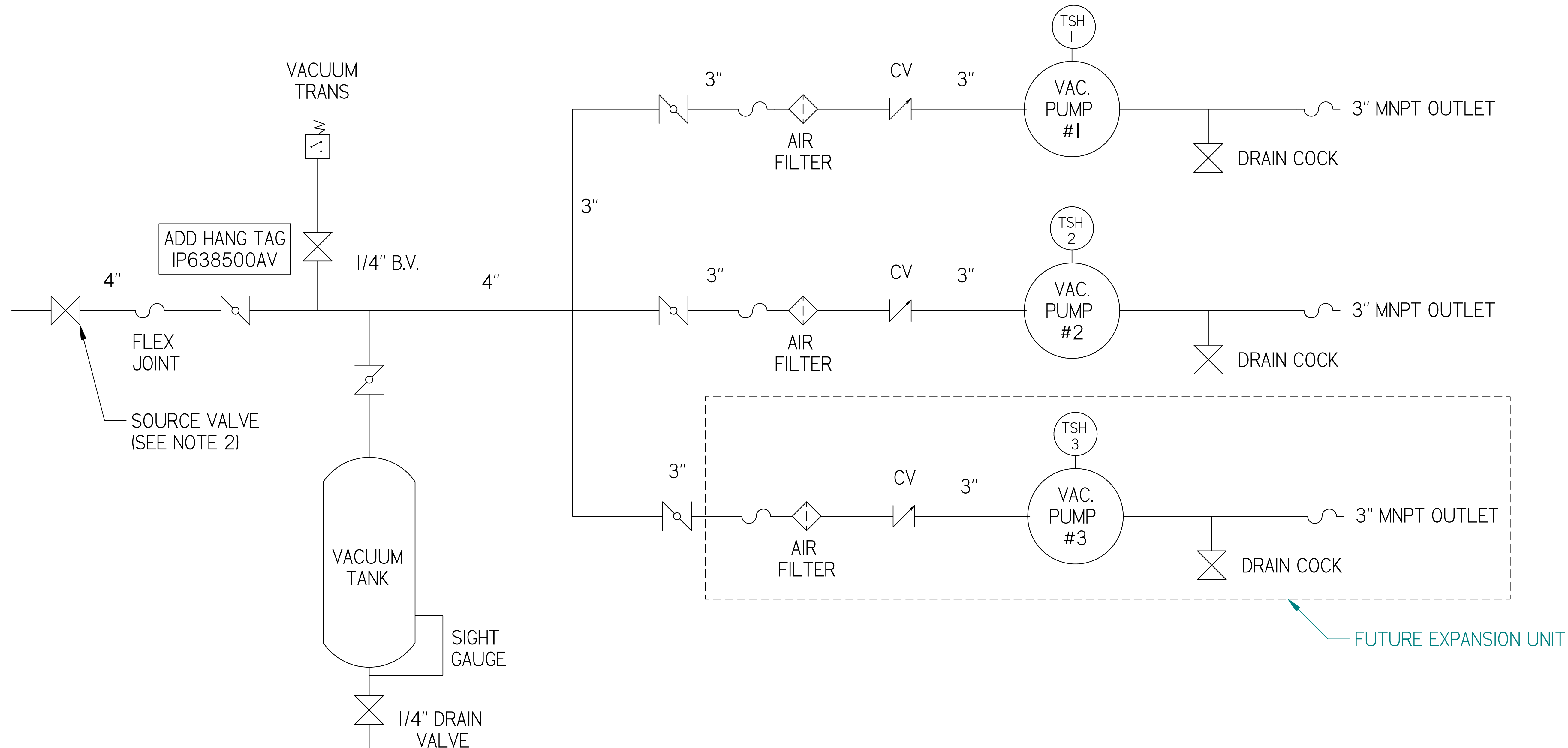
SYMBOL LEGEND		DRAWINGS TO CONFORM TO CURRENT REVISION OF THE FOLLOWING ANSI STANDARDS:	
		Y14.3 MULTI AND SECTIONAL VIEW DWGS	
		Y14.5 DIMENSIONING AND TOLERANCING	
TOLERANCES NOT SPECIFIED	SOLID EDGE DRAWING	DO NOT SCALE DRAWING FOR DIMENSIONS	
0.001 ± .001	INCH	SHEET 1 OF 2	SCALE 1:8
CONFIDENTIAL DISCLOSURE: This drawing is the property of POWEREX of the SCOTT FETTER COMPANY and is subject to return on demand. Its contents are confidential and must not be copied or submitted to outside parties for use or examination.		AUTHOR	APPROVALS ON FILE IN PLM
		TATA	03-04-2019
ITEM ID	POWEREX		
MATERIAL	150 PRODUCTION DRIVE, HARRISON OH 45030		
		ISS: 7/26/2019	
DESCRIPTION	DRAWING NUMBER	REVISION	SIZE
25HP VACUUM PKG 200GAL DUPLEX-EX3	VPD2505PI-EX3		D



# VPD2505PI-EX3

25HP VACUUM PKG 200GAL  
DUPLEX-EX3

REVISION NOTES		
DESCRIPTION	ECN	PR/NOR
3D RELEASE	PXEC0293	N/A



### LEGEND

TSH 2	TEMP. SWITCH	[Symbol]	VACUUM SWITCH
[Symbol]	AIR FILTER	[Symbol]	CHECK VALVE
[Symbol]	BALL VALVE	[Symbol]	FLEX LINE
[Symbol]	BUTTERFLY VALVE	[Symbol]	UNION

NOTE:  
A 1/4 INCH VENT PLUG IS  
LOCATED IN THE FILTER HOUSING

- NOTES:  
1) TSH - TEMPERATURE SWITCH HIGH  
2) PER NFPA THE SYSTEM WILL REQUIRE A SOURCE VALVE (SUPPLIED BY OTHERS)

SYMBOL LEGEND	DRAWINGS TO CONFORM TO CURRENT REVISION OF THE FOLLOWING ANSI STANDARDS: #14.3 MULTI AND SECTIONAL VIEW DWGS #14.5 DIMENSIONING AND TOLERANCING		
TOLERANCES NOT SPECIFIED: 0.00X ± .005 0.00X ± .005 0.00X ± .005	SOLID EDGE DRAWING	DO NOT SCALE DRAWING FOR DIMENSIONS	
ITEM ID	MATERIAL	AUTHOR	ORIGINATION DATE
---	---	TATA	03-04-2019
APPROVALS ON FILE IN PLM		SHEET 2 OF 2	SCALE I:1
CONFIDENTIAL DISCLOSURE This drawing is the property of POWEREX of the SCOTT FETTER COMPANY and is subject to return on demand. Its contents are confidential and must not be copied or submitted to outside parties for use or examination.			
DESCRIPTION 25HP VACUUM PKG 200GAL DUPLEX-EX3	DRAWING NUMBER VPD2505PI-EX3	REVISION	SIZE D

