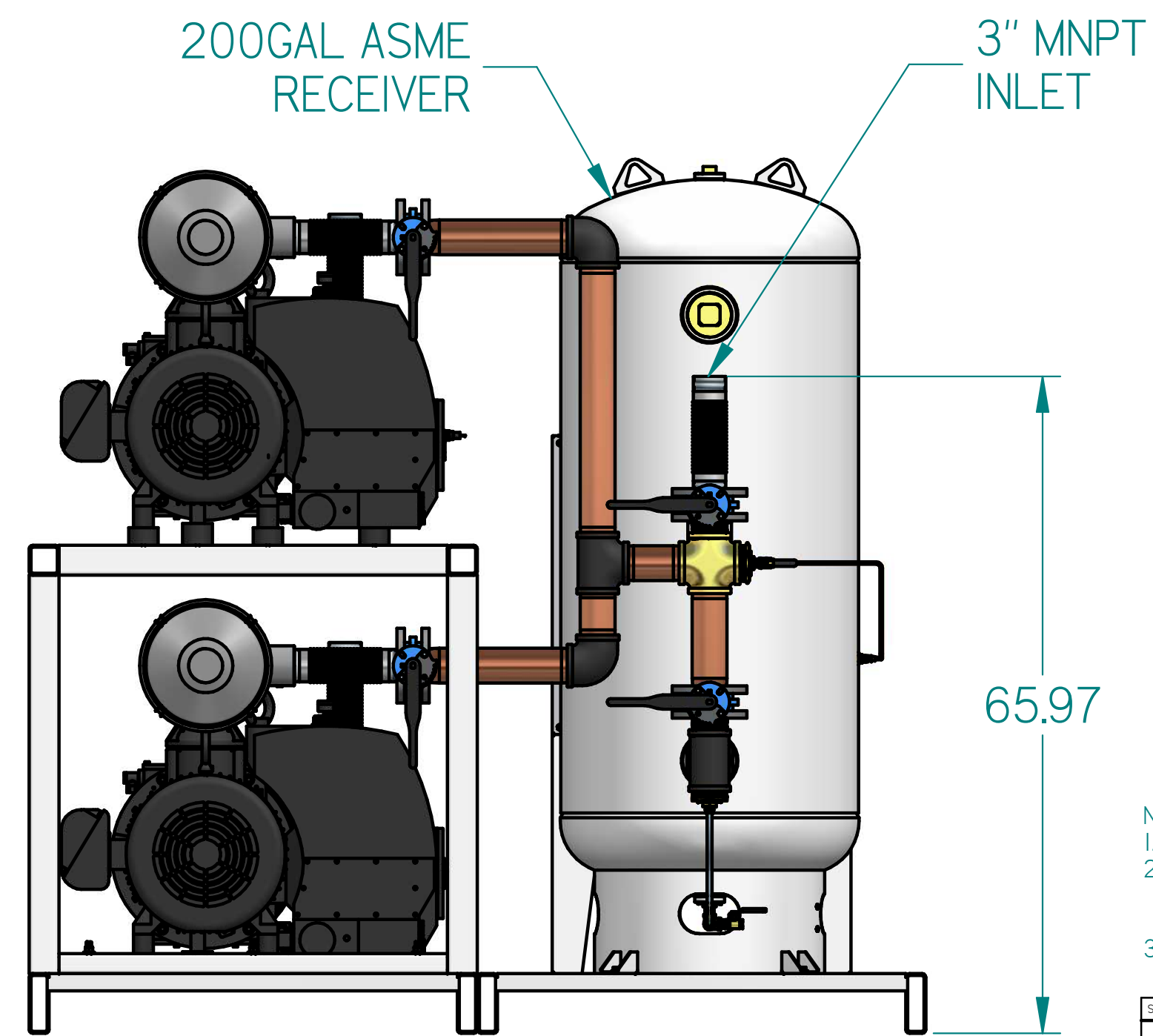
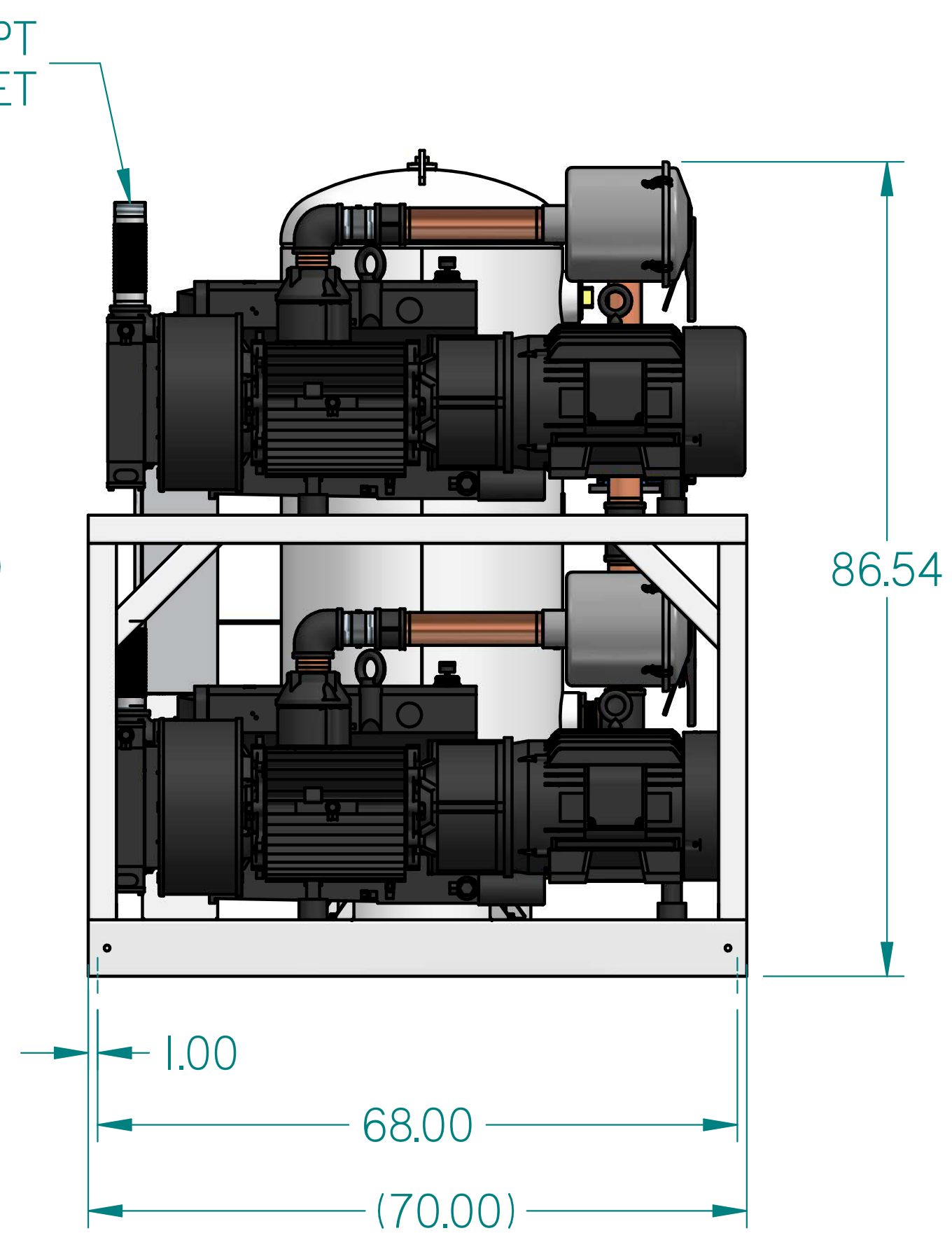
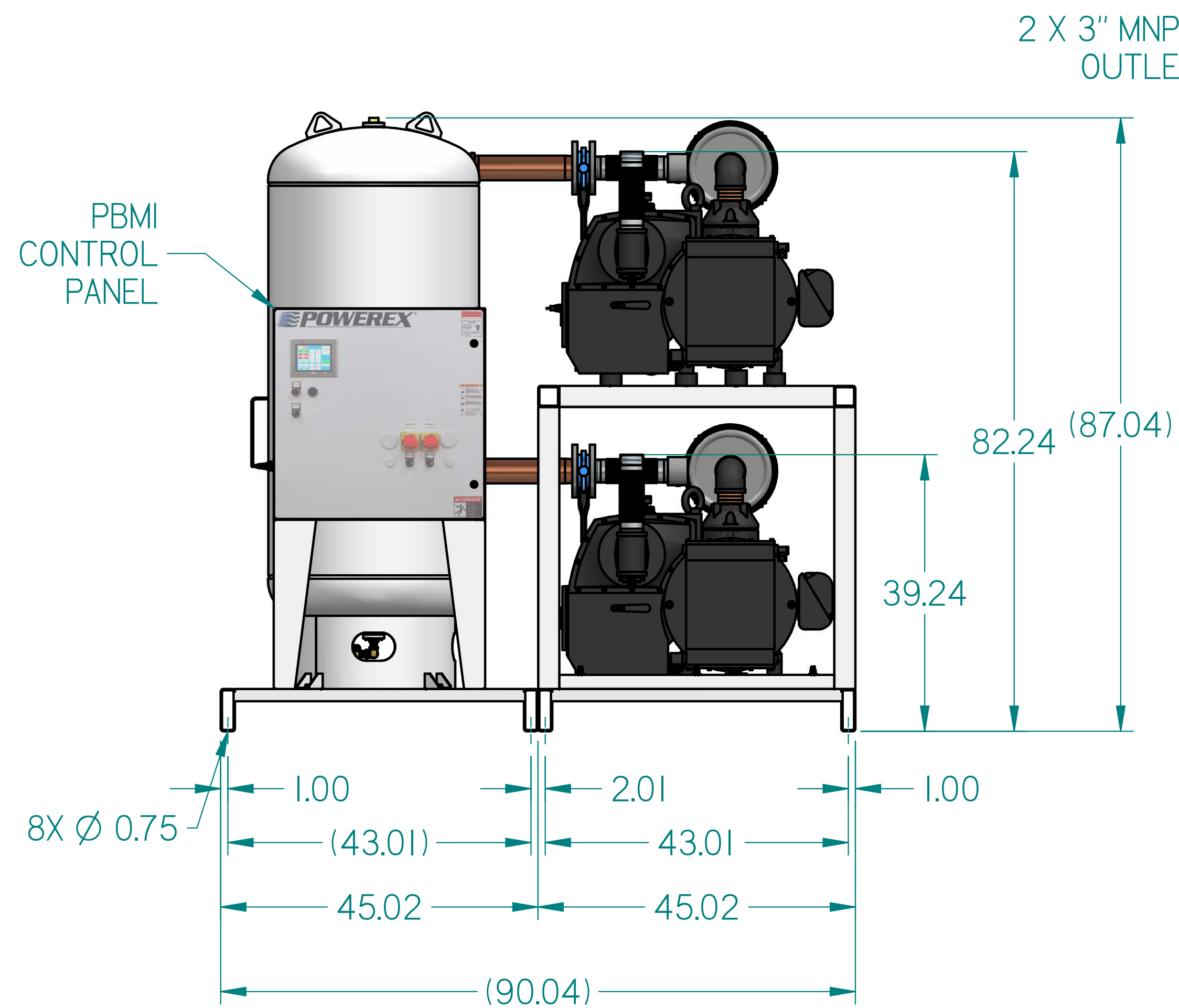
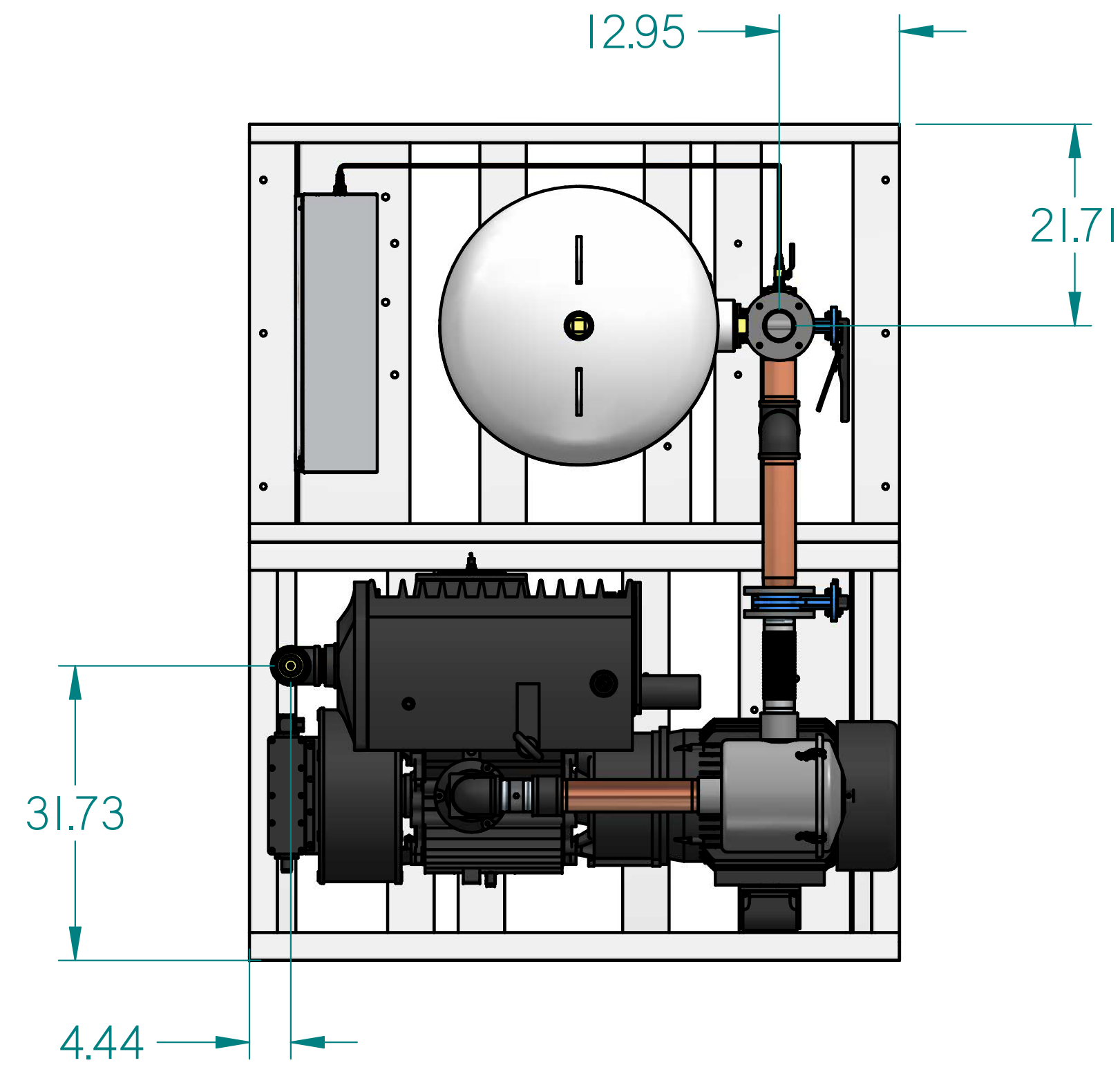


# VPD2505XPI

25HP VAC PKG 200GAL  
DUPLEX

REVISION NOTES		
DESCRIPTION	ECN	PR/NOR
3D RELEASE	PXEC0293	N/A



- NOTES:
- APPROXIMATE WEIGHT: 4598 lbm
  - A MINIMUM OF 24" CLEARANCE IS RECOMMENDED AROUND THE ENTIRE UNIT. CLEARANCE FOR CONTROL PANEL SHALL BE IN ACCORDANCE WITH OSHA/NEC REQUIREMENTS.
  - SYSTEM DESIGNED IN COMPLIANCE WITH U.S. NFPA '99, LATEST EDITION.

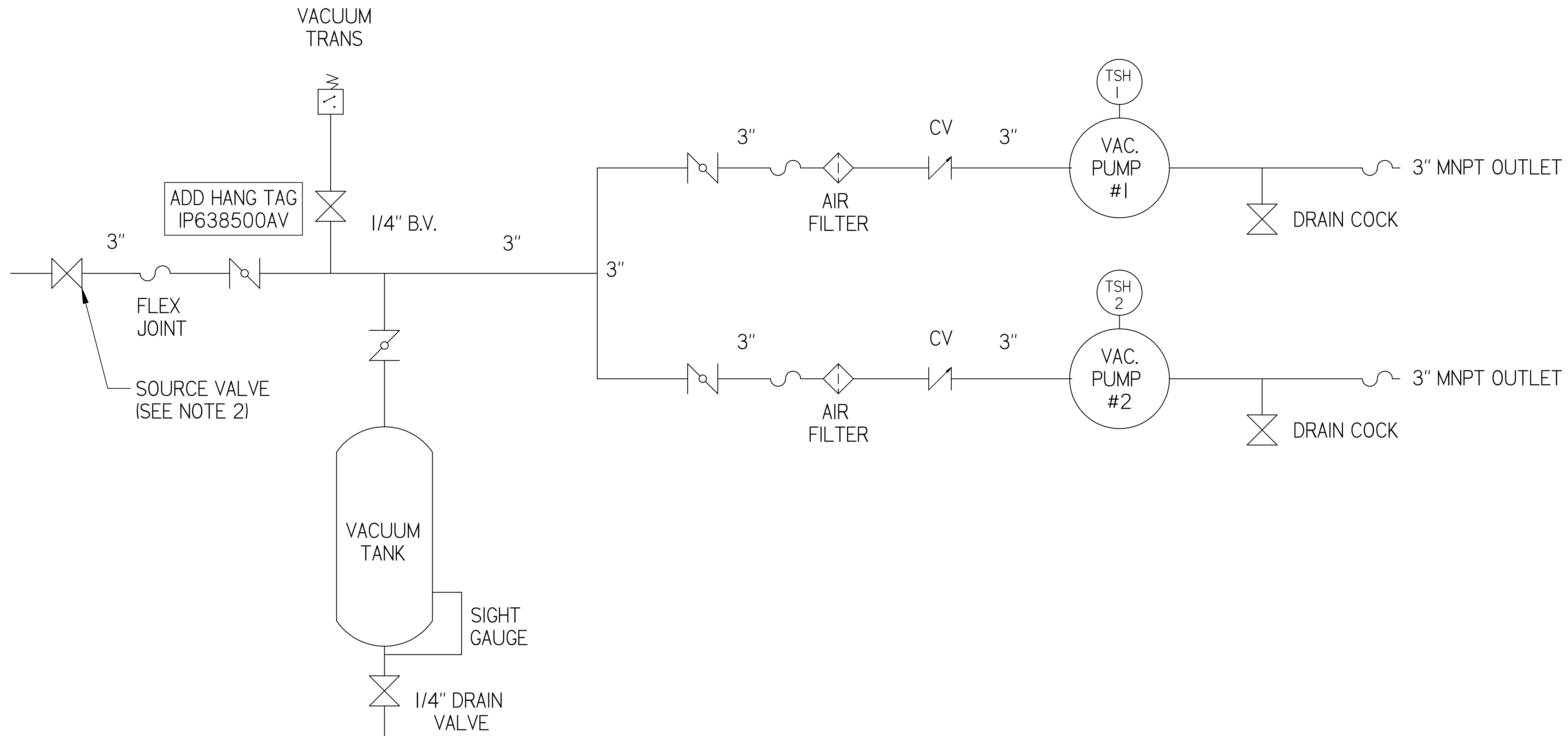
SYMBOL LEGEND		DRAWINGS TO CONFORM TO CURRENT REVISION OF THE FOLLOWING ANSI STANDARDS:	
		#14.3 MULTI AND SECTIONAL VIEW DWGS	
		#14.5 DIMENSIONING AND TOLERANCING	
TOLERANCES NOT SPECIFIED	SOLID EDGE DRAWING	DO NOT SCALE DRAWING FOR DIMENSIONS	
0.00X + .005		SHEET 1 OF 2	SCALE 1:8
0.00X + .005	INCH		
CONFIDENTIAL DISCLOSURE: This drawing is the property of POWEREX of the SCOTT FETTER COMPANY and is subject to return on demand. Its contents are confidential and must not be copied or submitted to outside parties for use or examination.		AUTHOR	APPROVALS ON FILE IN PLM
		TATA	11-03-2019
ITEM ID		POWEREX	
MATERIAL		ISO PRODUCTION DRIVE, HARRISON OH 45030	
		ISS: 7/26/2019	
DESCRIPTION	DRAWING NUMBER	REVISION	SIZE
25HP VAC PKG 200GAL DUPLEX	VPD2505XPI		D



# VPD2505XPI

25HP VAC PKG 200GAL  
DUPLEX

REVISION NOTES		
DESCRIPTION	ECN	PR/NOR
3D RELEASE	PXEC0293	N/A



ADD HANG TAG  
IP638500AV

FLEX  
JOINT

SOURCE VALVE  
(SEE NOTE 2)

VACUUM  
TRANS

1/4" B.V.

VACUUM  
TANK

SIGHT  
GAUGE

1/4" DRAIN  
VALVE

AIR  
FILTER

CV

TSH  
1  
VAC.  
PUMP  
#1

DRAIN COCK

3" MNPT OUTLET

AIR  
FILTER

CV

TSH  
2  
VAC.  
PUMP  
#2

DRAIN COCK

3" MNPT OUTLET

## LEGEND

	TEMP. SWITCH		VACUUM SWITCH
	AIR FILTER		CHECK VALVE
	BALL VALVE		FLEX LINE
	BUTTERFLY VALVE		UNION

NOTE:  
A 1/4 INCH VENT PLUG IS  
LOCATED IN THE FILTER HOUSING

- NOTES:  
1) TSH - TEMPERATURE SWITCH HIGH  
2) PER NFPA THE SYSTEM WILL REQUIRE A SOURCE VALVE (SUPPLIED BY OTHERS)

SYMBOL LEGEND		DRAWINGS TO CONFORM TO CURRENT REVISION OF THE FOLLOWING ANSI STANDARDS: #14.3 MULTI AND SECTIONAL VIEW DWGS #14.5 DIMENSIONING AND TOLERANCING	
TOLERANCES NOT SPECIFIED	SOLID EDGE DRAWING	DO NOT SCALE DRAWING FOR DIMENSIONS	
0.00X ± .005	INCH	SHEET 2 OF 2	SCALE 1:1
CONFIDENTIAL DISCLOSURE This drawing is the property of POWEREX or the SCOTT FETTER COMPANY and is subject to return on demand. Its contents are confidential and must not be copied or submitted to outside parties for use or examination.		AUTHOR	APPROVALS ON FILE IN PLM
ITEM ID		TATA	11-03-2019
MATERIAL		 <small>150 PRODUCTION DRIVE, HARRISON OH 45030 ISS: 7/24/2019</small>	
DESCRIPTION 25HP VAC PKG 200GAL DUPLEX	DRAWING NUMBER VPD2505XPI	REVISION	SIZE D