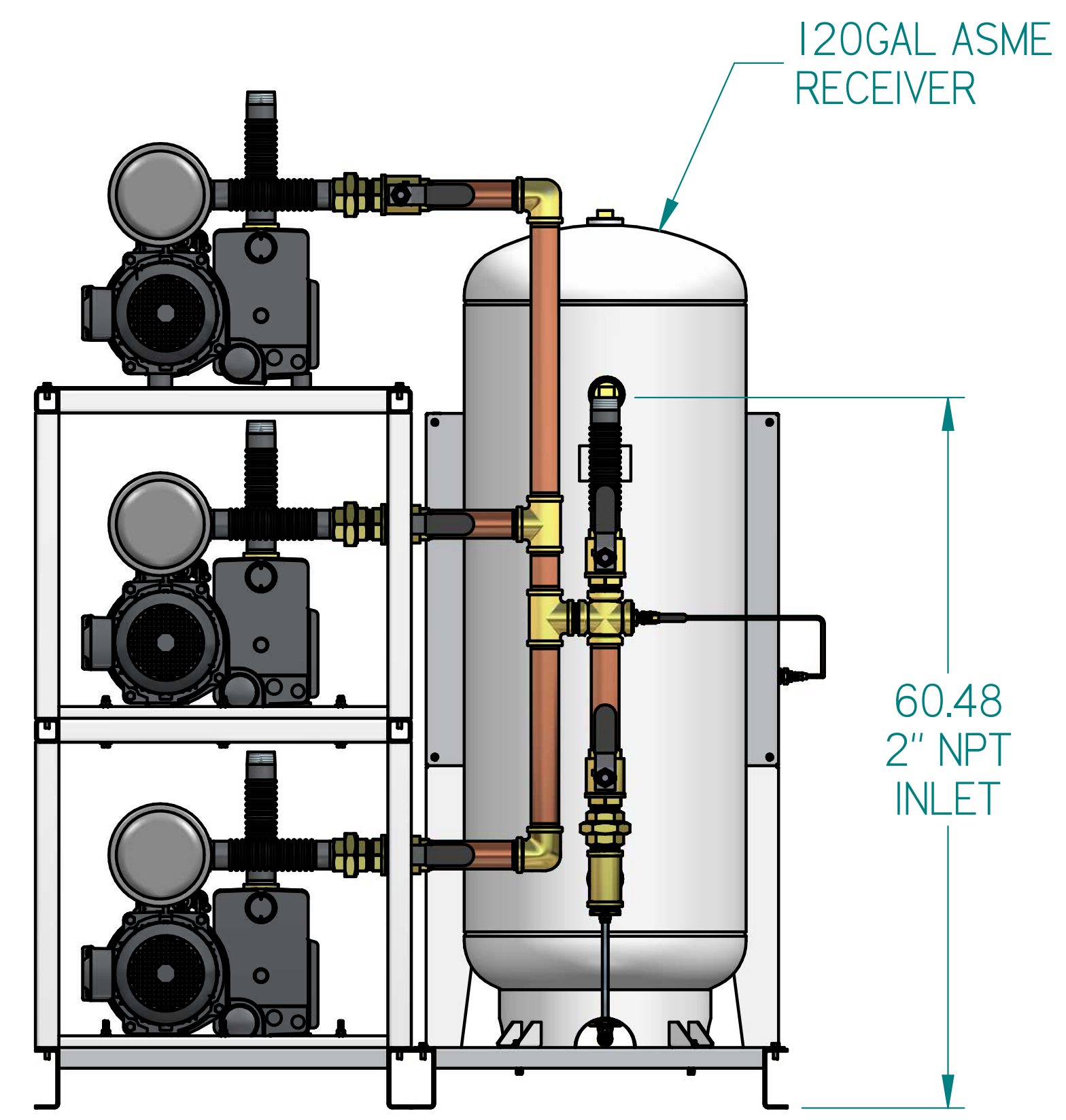
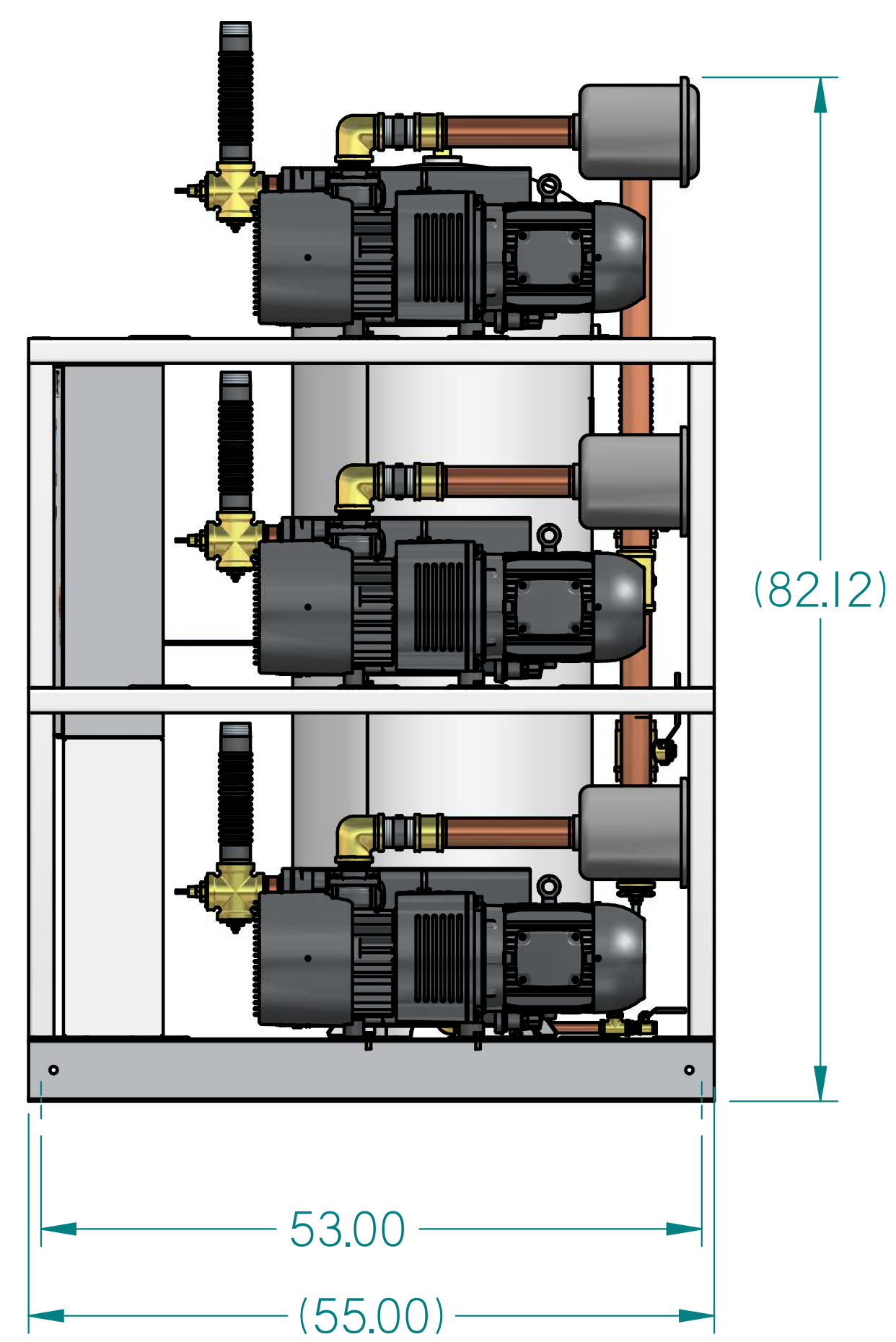
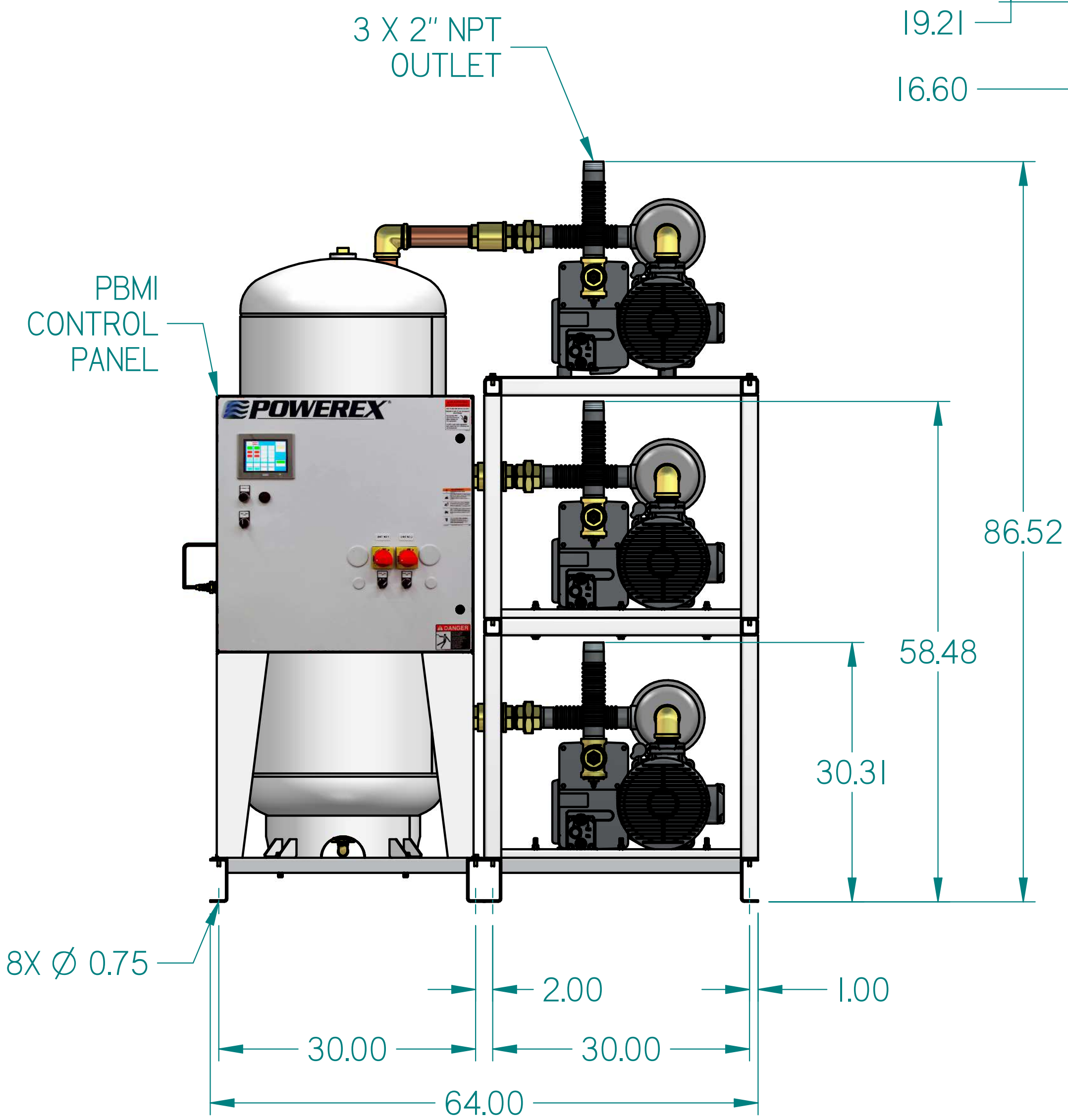
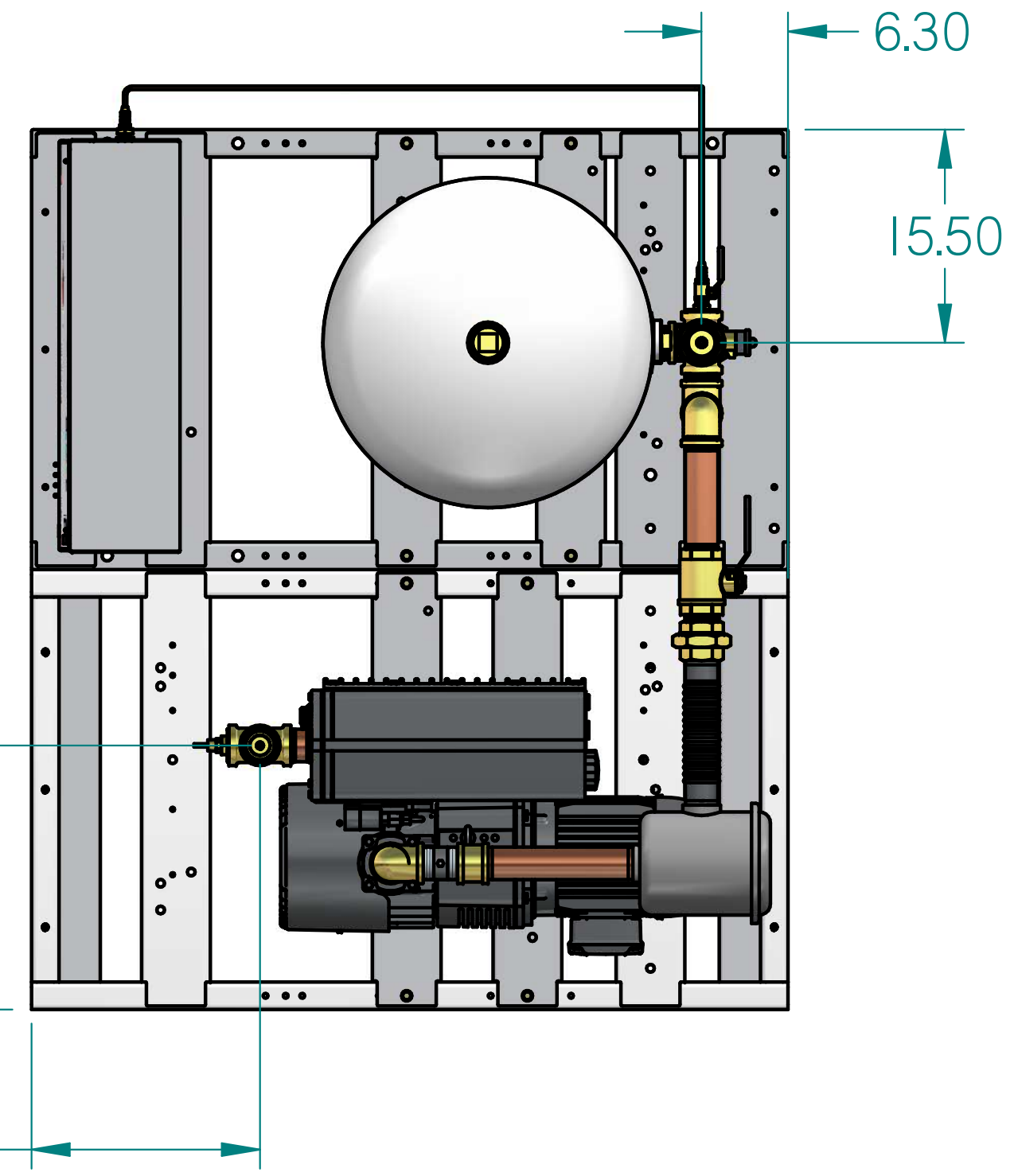


# VPT0504XPI

5HP VACUUM 120GAL  
TRIPLEX

REVISION NOTES		
DESCRIPTION	ECN	PR/NOR
3D RELEASE	PXEC0293	N/A



- NOTES:
- APPROXIMATE WEIGHT: 4289 lbm
  - A MINIMUM OF 24" CLEARANCE IS RECOMMENDED AROUND THE ENTIRE UNIT. CLEARANCE FOR CONTROL PANEL SHALL BE IN ACCORDANCE WITH OSHA/NEC REQUIREMENTS.
  - SYSTEM DESIGNED IN COMPLIANCE WITH U.S. NFPA '99, LATEST EDITION.

SYMBOL LEGEND		DRAWINGS TO CONFORM TO CURRENT REVISION OF THE FOLLOWING ANSI STANDARDS:	
		#14.3 MULTI AND SECTIONAL VIEW DWGS	
		#14.5 DIMENSIONING AND TOLERANCING	
TOLERANCES NOT SPECIFIED	SOLID EDGE DRAWING	DO NOT SCALE DRAWING FOR DIMENSIONS	
0.004 ± .001		SHEET 1 OF 2	SCALE 1:8
0.0005 ± .0001	INCH		
CONFIDENTIAL DISCLOSURE: This drawing is the property of POWEREX or the SCOTT FETTER COMPANY and is subject to return on demand. Its contents are confidential and must not be copied or submitted to outside parties for use or examination.		AUTHOR	APPROVALS ON FILE IN PLM
		TATA	01-03-2019
ITEM ID	POWEREX		
MATERIAL	150 PRODUCTION DRIVE, HARRISON OH 45030 ISS: 7/26-7/27		
DESCRIPTION	DRAWING NUMBER	REVISION	SIZE
5HP VACUUM 120GAL TRIPLEX	VPT0504XPI		D

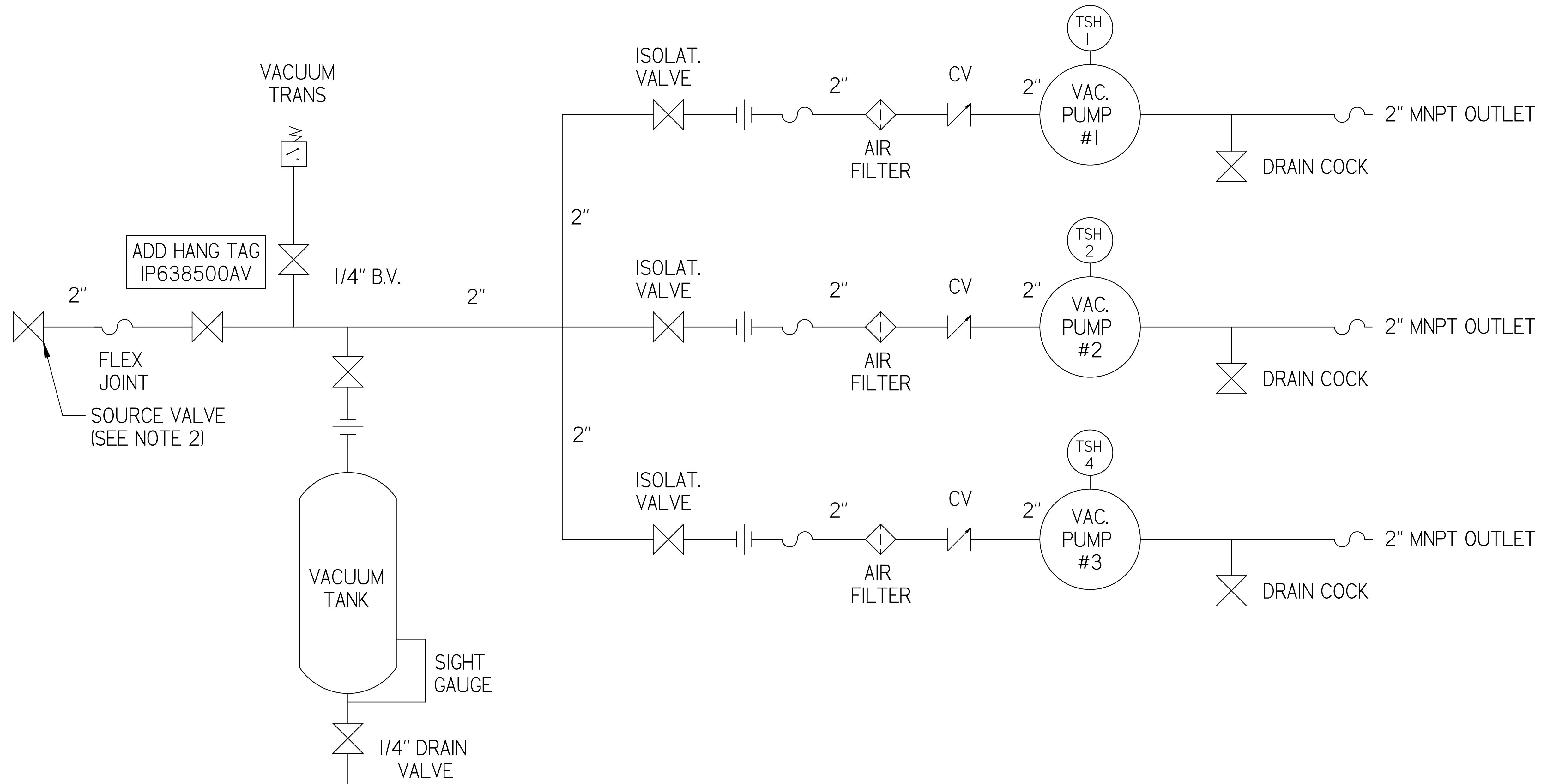


# VPT0504XPI

5HP VACUUM 120GAL  
TRIPLEX

## REVISION NOTES

DESCRIPTION	ECN	PR/NOR
3D RELEASE	PXEC0293	N/A



ADD HANG TAG  
IP638500AV

SOURCE VALVE  
(SEE NOTE 2)

VACUUM  
TANK

SIGHT  
GAUGE

1/4" DRAIN  
VALVE

ISOLAT.  
VALVE

2"

AIR  
FILTER

CV

2"

VAC.  
PUMP  
#1

TSH  
1

2" MNPT OUTLET

DRAIN COCK

ISOLAT.  
VALVE

2"

AIR  
FILTER

CV

2"

VAC.  
PUMP  
#2

TSH  
2

2" MNPT OUTLET

DRAIN COCK

ISOLAT.  
VALVE

2"

AIR  
FILTER

CV

2"

VAC.  
PUMP  
#3

TSH  
4

2" MNPT OUTLET

DRAIN COCK

### LEGEND

	TEMP. SWITCH		VACUUM SWITCH
	AIR FILTER		CHECK VALVE
	BALL VALVE		FLEX LINE
			UNION

NOTE:  
A 1/4 INCH VENT PLUG IS  
LOCATED IN THE FILTER HOUSING

NOTES:  
1) TSH - TEMPERATURE SWITCH HIGH  
2) PER NFPA THE SYSTEM WILL REQUIRE A SOURCE VALVE (SUPPLIED BY OTHERS)

SYMBOL LEGEND		DRAWINGS TO CONFORM TO CURRENT REVISION OF THE FOLLOWING ANSI STANDARDS:		
TOLERANCES NOT SPECIFIED:		SOLID EDGE DRAWING		
DOXX ± .005		DO NOT SCALE DRAWING FOR DIMENSIONS		
DOXX ± .005		SHEET 2 OF 2		
DOXX ± .005		SCALE 1:1		
CONFIDENTIAL DISCLOSURE: This drawing is the property of POWEREX of the SCOTT FETTER COMPANY and is subject to return on demand. Its contents are confidential and must not be copied or submitted to outside parties for use or examination.		APPROVALS ON FILE IN PLM		
MATERIAL: ---		TATA 01-03-2019		
DESCRIPTION: 5HP VACUUM 120GAL TRIPLEX		DRAWING NUMBER: VPT0504XPI		
		SIZE: D		