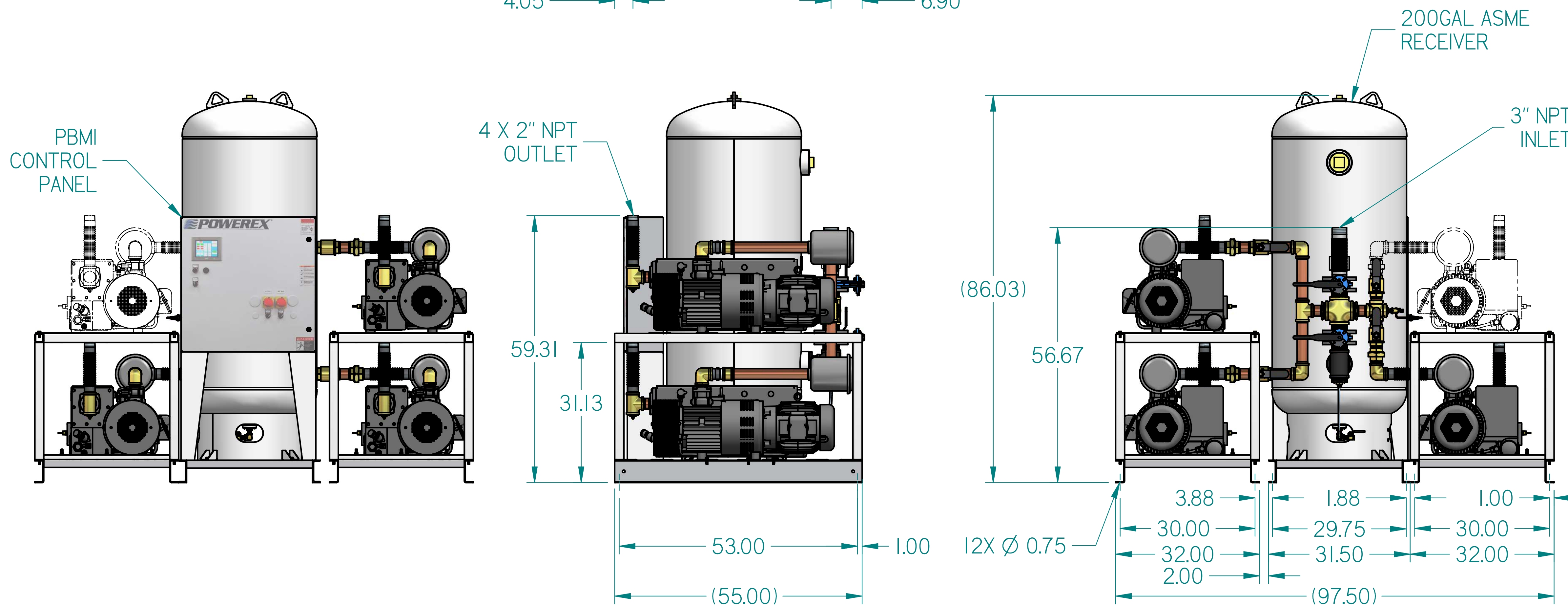
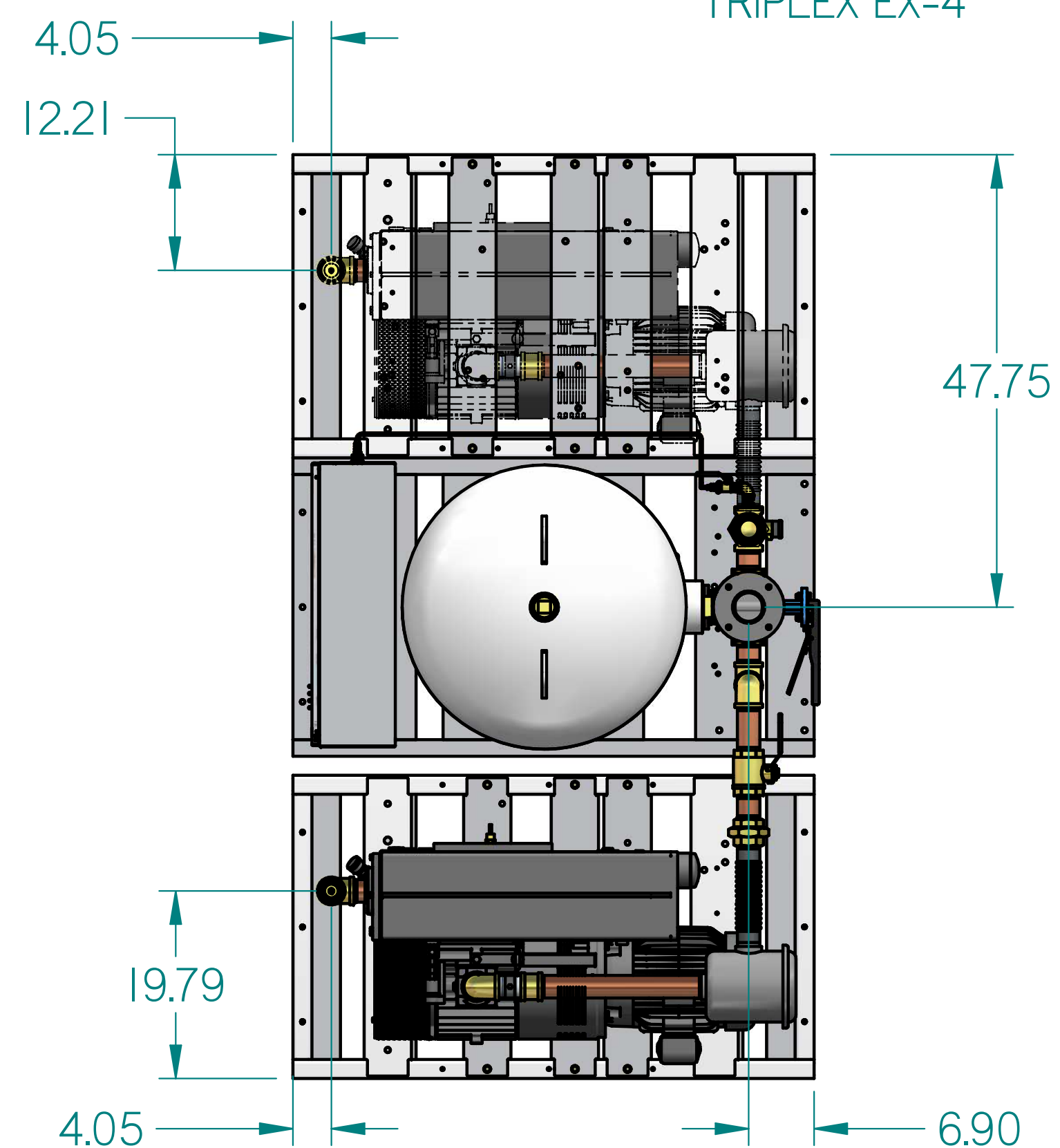


VPT1005PI-EX4

10HP VACUUM 200GAL
TRIPLEX EX-4

REVISION NOTES		
DESCRIPTION	ECN	PR/NOR
3D RELEASE	PXEC0293	N/A



- NOTES:
1. APPROXIMATE WEIGHT: 2950 lbm
2. A MINIMUM OF 24" CLEARANCE IS RECOMMENDED AROUND THE ENTIRE UNIT. CLEARANCE FOR CONTROL PANEL SHALL BE IN ACCORDANCE WITH OSHA/NEC REQUIREMENTS.
3. SYSTEM DESIGNED IN COMPLIANCE WITH U.S. NFPA '99, LATEST EDITION.

SYMBOL LEGEND		DRAWINGS TO CONFORM TO CURRENT REVISION OF THE FOLLOWING ANSI STANDARDS: #14.3 MULTI AND SECTIONAL VIEW DWGS #14.5 DIMENSIONING AND TOLERANCING	
TOLERANCES NOT SPECIFIED	SOLID EDGE DRAWING	DO NOT SCALE DRAWING FOR DIMENSIONS	
0.00X ± .005	INCH	SHEET 1 OF 2	SCALE 1:8
CONFIDENTIAL DISCLOSURE This drawing is the property of POWEREX of the SCOTT FETTER COMPANY and is subject to return on demand. Its contents are confidential and must not be copied or submitted to outside parties for use or examination.		AUTHOR	APPROVALS ON FILE IN PLM
TATA		02-04-2019	
ITEM ID	POWEREX		
MATERIAL	ISO PRODUCTION DRIVE, HARRISON OH 45030 ISS: 7/26-7/27/9		
DESCRIPTION 10HP VACUUM 200GAL TRIPLEX EX-4	DRAWING NUMBER VPT1005PI-EX4	REVISION	SIZE D

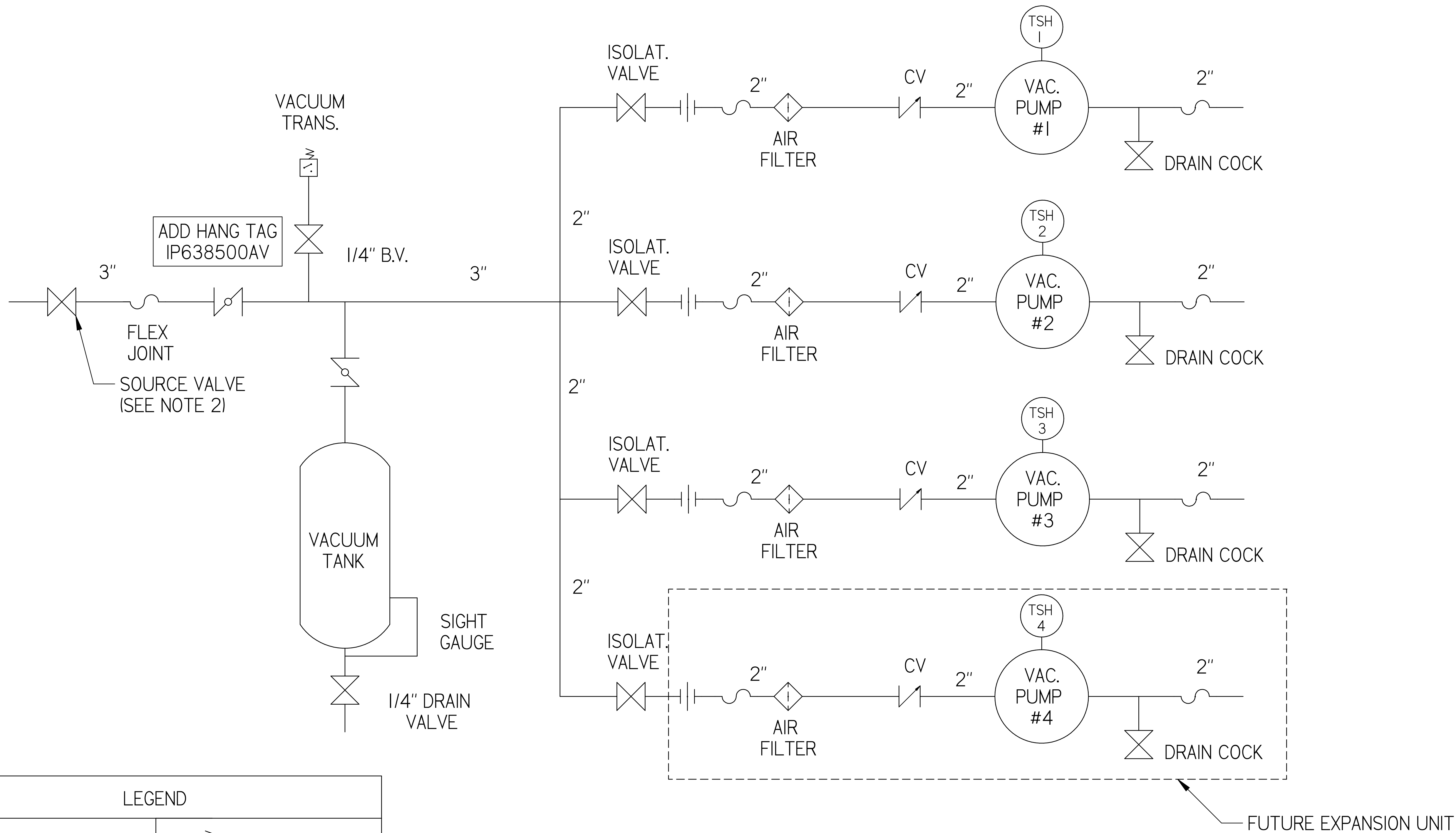


VPT1005PI-EX4

10HP VACUUM 200GAL
TRIPLEX EX-4

REVISION NOTES

DESCRIPTION	ECN	PR/NOR
3D RELEASE	PXEC0293	N/A



LEGEND

	TEMP. SWITCH		VACUUM SWITCH
	AIR FILTER		CHECK VALVE
	BALL VALVE		FLEX LINE
	BUTTERFLY VALVE		UNION

NOTE:
A 1/4 INCH VENT PLUG IS
LOCATED IN THE FILTER HOUSING

- NOTES:
1) TSH - TEMPERATURE SWITCH HIGH
2) PER NFPA THE SYSTEM WILL REQUIRE A SOURCE VALVE (SUPPLIED BY OTHERS)

SYMBOL LEGEND		DRAWINGS TO CONFORM TO CURRENT REVISION OF THE FOLLOWING ANSI STANDARDS: #14.3 MULTI AND SECTIONAL VIEW DWGS #14.5 DIMENSIONING AND TOLERANCING	
TOLERANCES NOT SPECIFIED	SOLID EDGE DRAWING	DO NOT SCALE DRAWING FOR DIMENSIONS	
0.00X ± .005	INCH	SHEET 2 OF 2	SCALE 1:1
CONFIDENTIAL DISCLOSURE This drawing is the property of POWEREX or the SCOTT FETTER COMPANY and is subject to return on demand. Its contents are confidential and must not be copied or submitted to outside parties for use or examination.		AUTHOR	APPROVALS ON FILE IN PLM
MATERIAL		TATA	02-04-2019
DESCRIPTION 10HP VACUUM 200GAL TRIPLEX EX-4		DRAWING NUMBER VPT1005PI-EX4	SIZE D

POWEREX