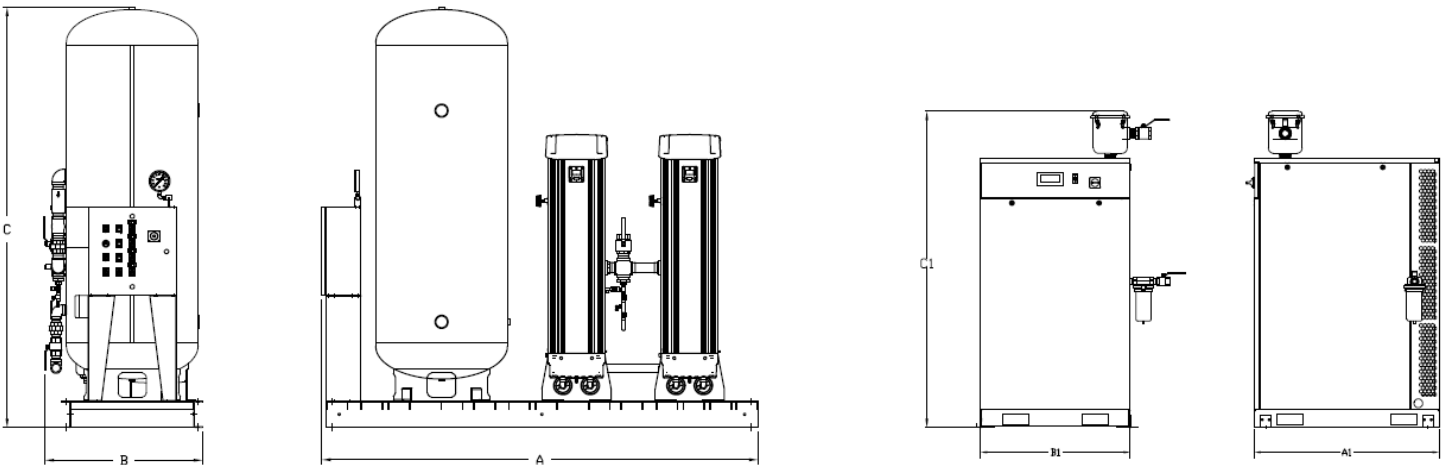
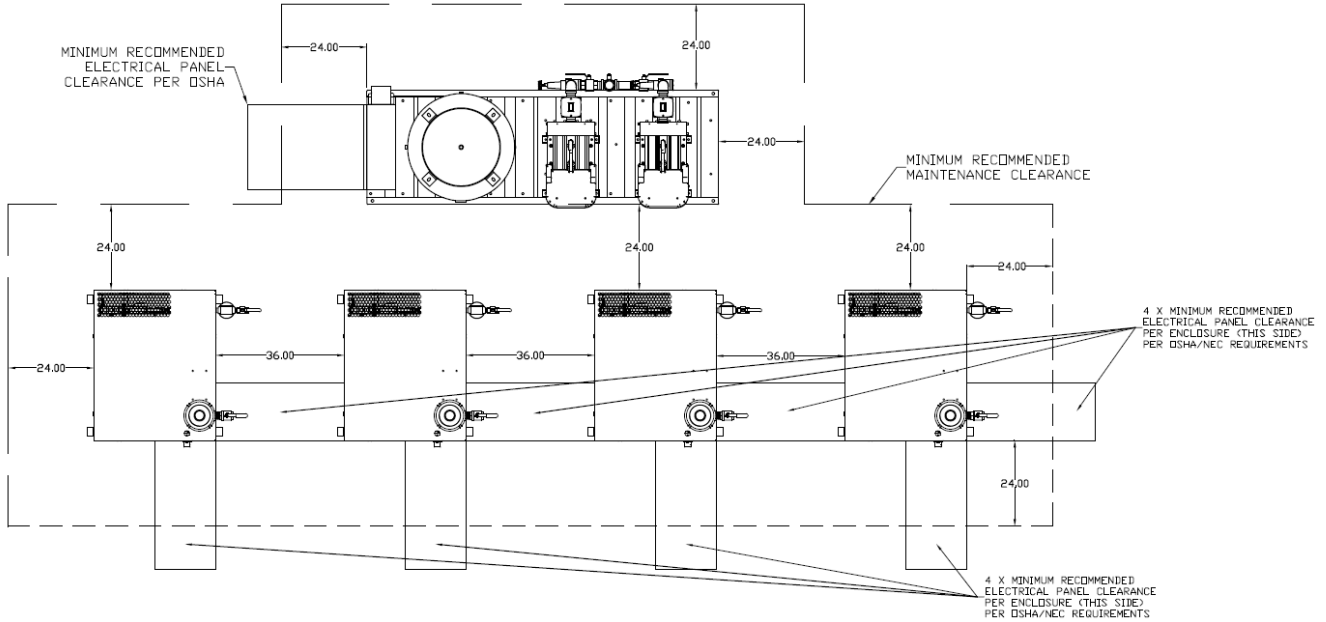


Dimensions

Model	Dim. A	Dim. A1	Dim. B	Dim. B1	Dim. C	Dim C1	Inlet (x4)	Outlet
MSEQ2256	84"	42"	34"	43"	96"	72"	2"	2"
MSEQ30B6	100"	42"	36"	43"	96"	72"	2"	2"



Medical Enclosed Scroll Quadplex

Model	HP	SCFM @ 50 PSIG ^{1, 2}	Tank Size (gal)	BTU/Hr ²	dB(A) Level ²	System F.L.A. ³		System Weight (lbs)
						230V	460V	
MSEQ2256	22.5 (4)	214.2	240	171,749	68	53.9	27.9	5,900
MSEQ30B6	30 (4)	284.4	240	228,999	69	71	36.5	11,565

Notes:

- 1 – Values are shown with one unit in reserve per NFPA 99.
- 2 – System F.L.A. values shown for one enclosure unit; each enclosure gets its own individual power feed.
- 3 – 3 Year Limited Warranty