

Submittal Data Sheet

Features

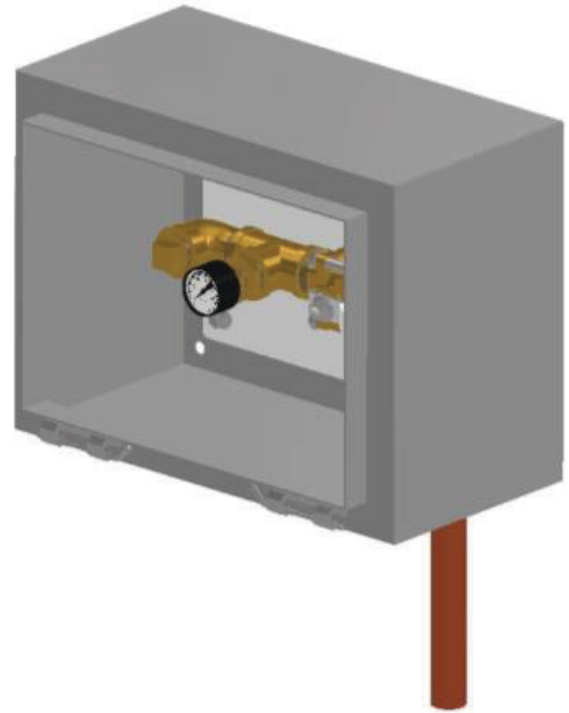
The Powerex PX-EOSC-T-LPSX series Emergency Oxygen Supply Connection Box provides an inlet for connecting a temporary auxiliary source of oxygen to the oxygen pipeline system for emergency or maintenance situations as recommended by NFPA 99.

- Made in the U.S.A.
- Designed in accordance with NFPA 99.
- Rugged 14 gauge weather-tight enclosure with keyed lock to prevent tampering or unauthorized access (24"H x 16"W x 8"D).
- The inlet will consist of 1" ball valve with 1" NPT connection or a 2" ball valve with 2" NPT connection and a pressure gauge.
- Entire assembly is cleaned for oxygen service and capped.
- Available with bottom connection point only.

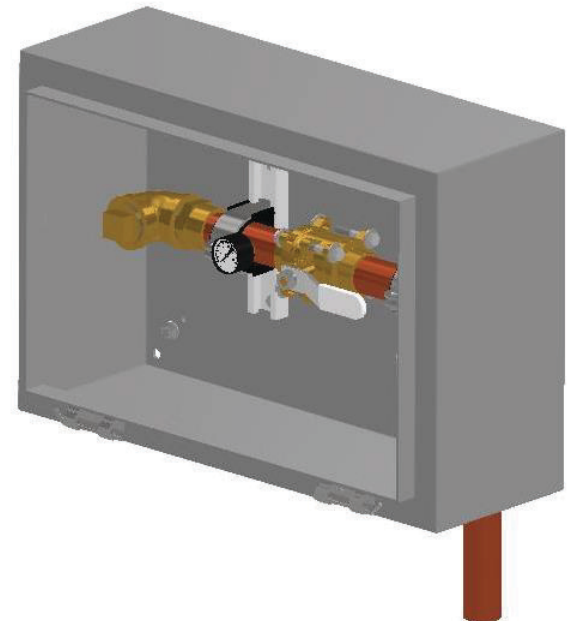
Specification

The Powerex PX-EOSC-T-LPSX series Emergency Oxygen Supply Connection Box consists of a ball valve, pressure gauge and a NPT (plugged) connection housed in a 14 gauge weathertight, maintenance free enclosure. The enclosure is labeled "Emergency Low Pressure Gaseous Oxygen Inlet," and includes a keyed lock to prevent tampering or unauthorized access. The Powerex PX-EOSC-T-LPSX series Emergency Oxygen Supply Connection Box should be connected at a point downstream of the main supply line shutoff valve.

Check valves and a relief valve (sold separately) are required to complete the installation. The relief valve has a brass body, single seat design, and is cleaned for oxygen. The relief valve automatically opens to 'relieve' or vent pressures greater than 75 PSI to atmosphere and will automatically reseal to provide a bubble tight seal after the pressure drops below 75 psig. The check valve has a brass body, removable zero clearance center section (3 piece design), dual 1/8" NPT ports and brazed on copper tube extensions. All products are cleaned and bagged for use with oxygen in accordance with CGA G-4.1.

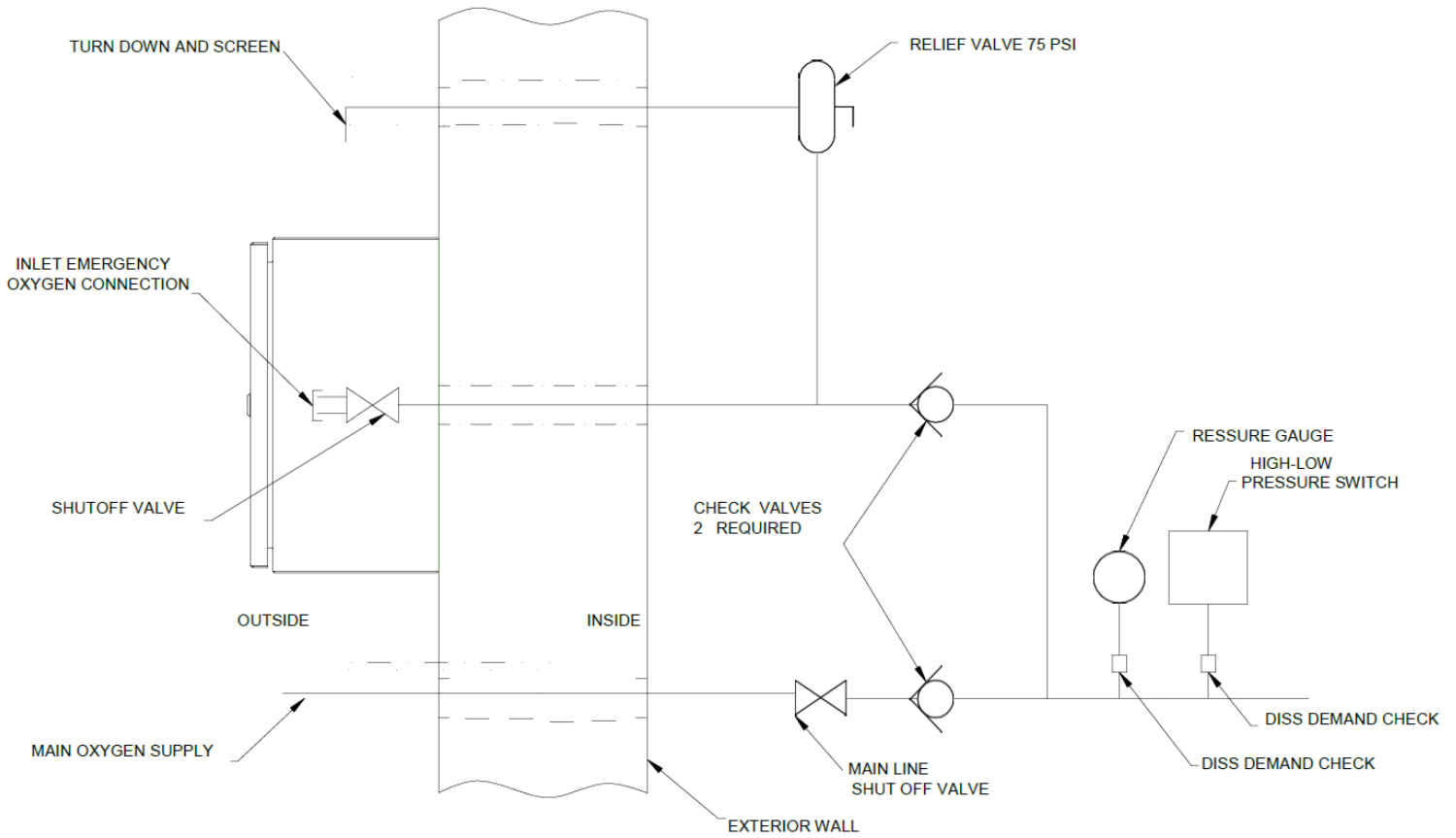


Model PX-EOSC-T-LPS1 shown above with door removed for clarity



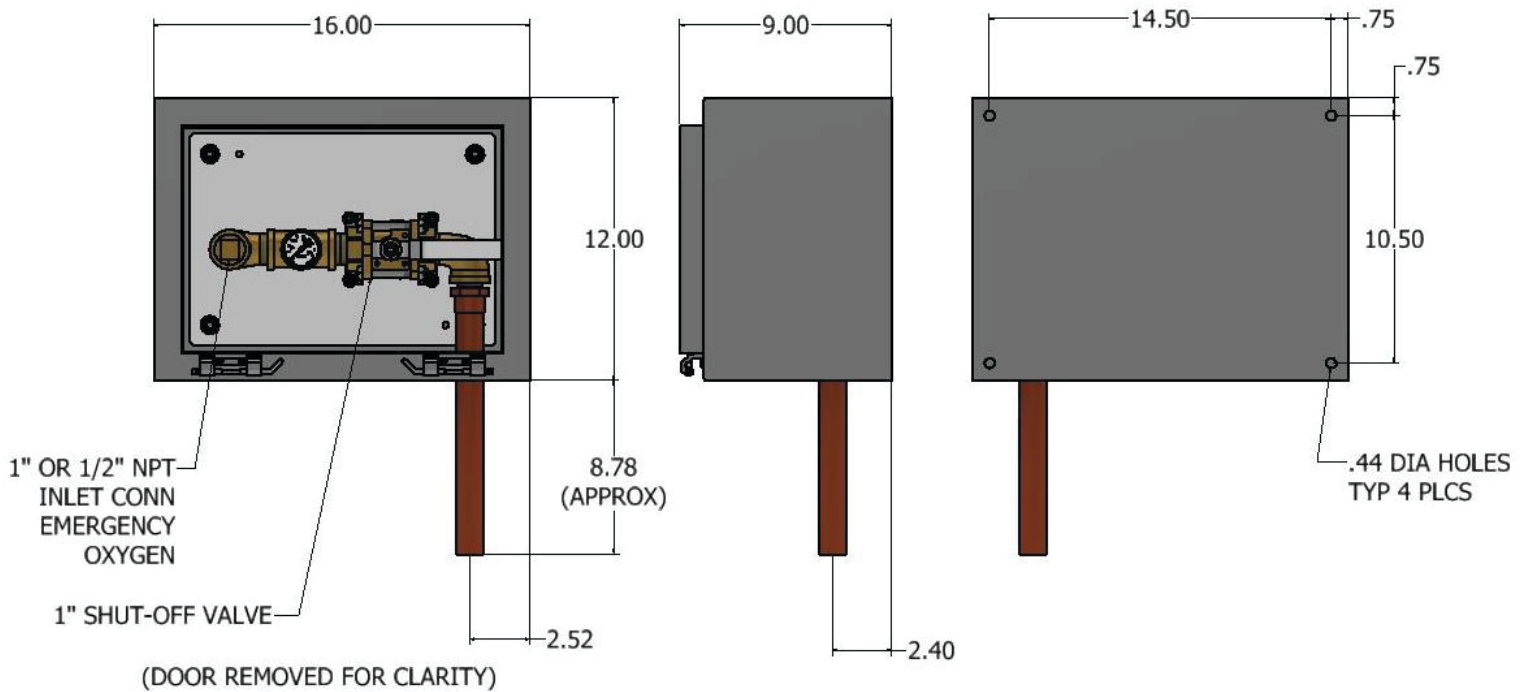
Model PX-EOSC-T-LPS2 shown above with door removed for clarity

Piping Schematic



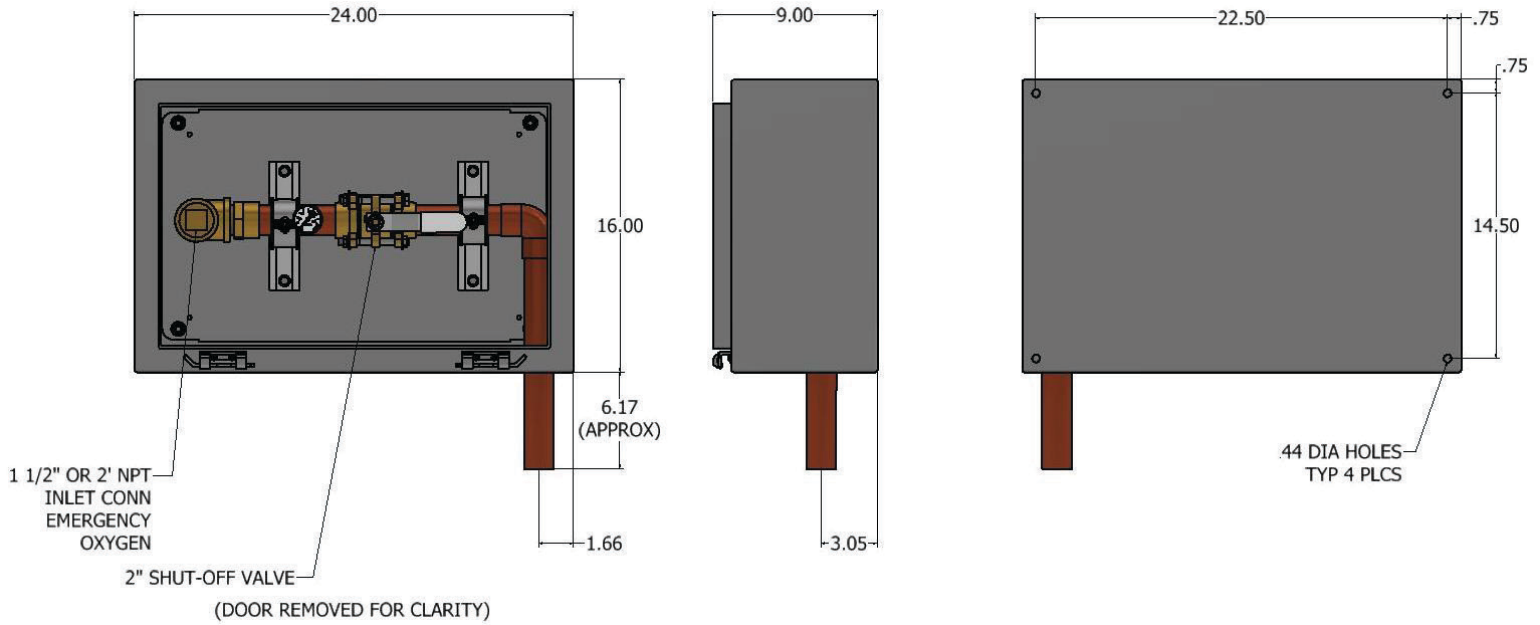
Dimensions

1" Box Surface Mounting Holes (Model: PX-EOSC-T-LPS1)



Dimensions

2" Box Recessed Mounting Holes (Model: PX-EOSC-T-LPS2)



Ordering Information

Part #	Description
PX-EOSC-T-LPS1	1" Emergency Oxygen Supply Connection Box with bottom outlet connection, with internal 1" ball valve, gauge in a lockable weather tight enclosure
PX-EOSC-T-LPS2	2" Emergency Oxygen Supply Connection Box with bottom outlet connection, with internal 2" ball valve, gauge in a lockable weather tight enclosure

Optional Accessories (sold separately)

Part #	Description
PX-CV-075 EXT	3/4" Check Valve with Extension
PX-CV-100 EXT	1" Check Valve with Extension
PX-CV-125 EXT	1-1/4" Check Valve with Extension
PX-CV-150 EXT	1-1/2" Check Valve with Extension
PX-CV-200 EXT	2" Check Valve with Extension
PX-RV-22-075	1/2" Relief Valve with Pipe away Adaptor
PX-17-0466	2" MNPT x 1-1/4" FNPT Bushing
PX-17-0467	2" MNPT x 1-1/2" FNPT Bushing
PX-PST-24	Pressure Switch with Gauge and DISS Transducer