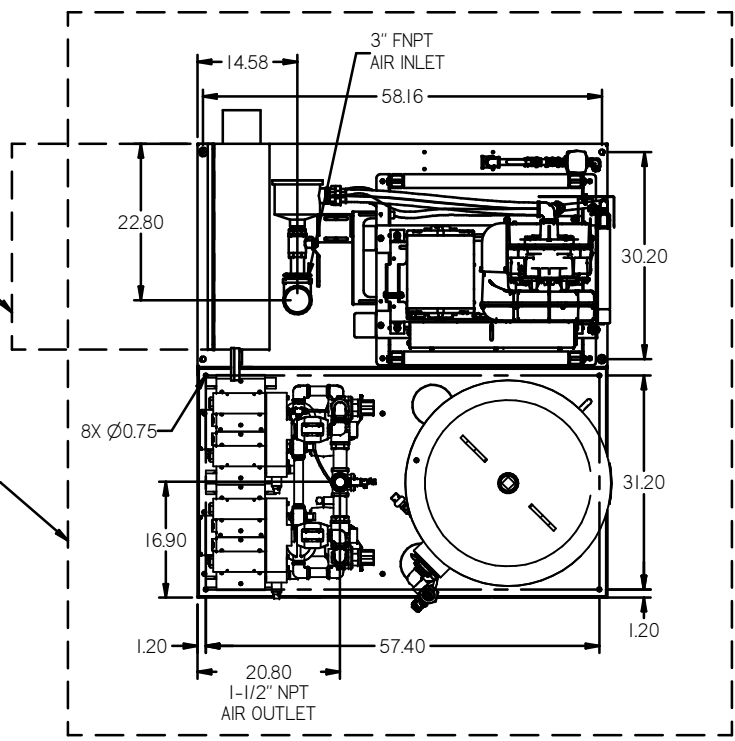


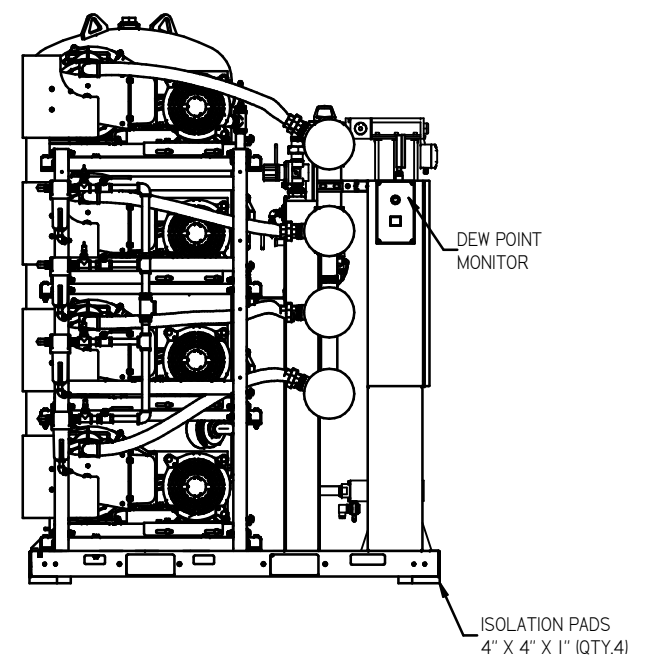
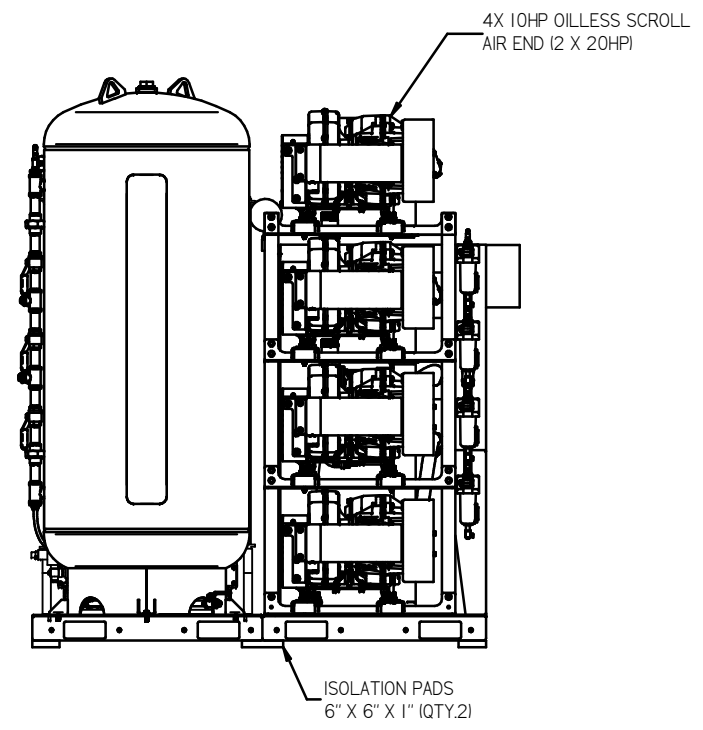
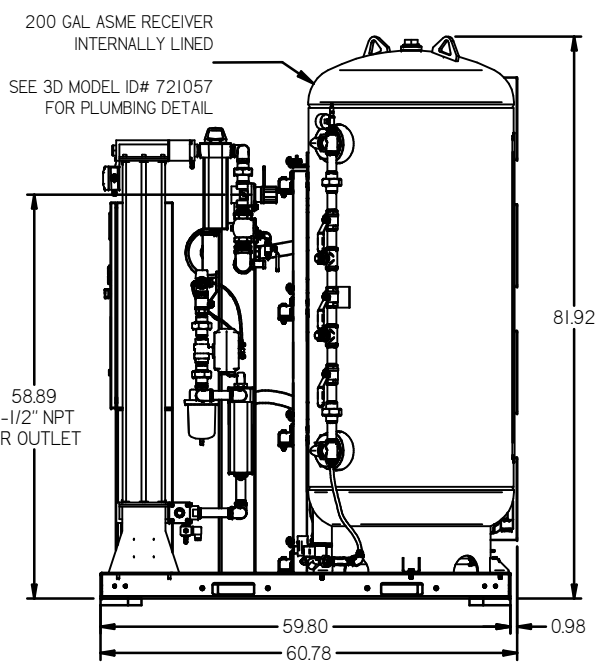
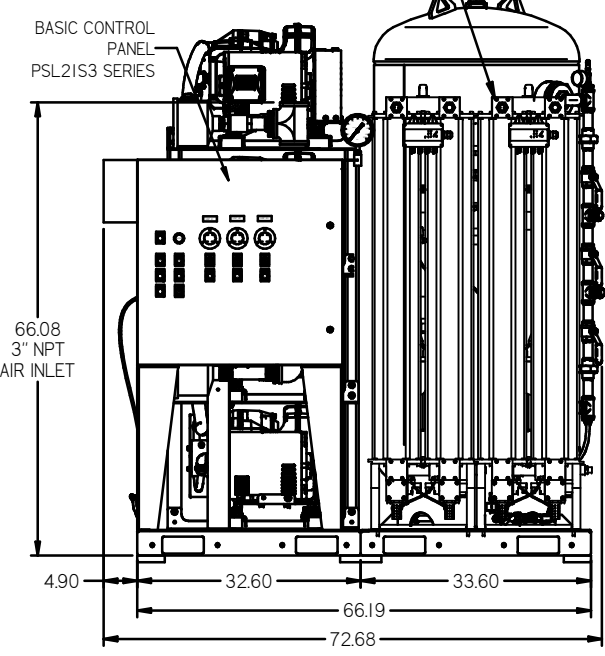
REV	ZONE	REVISION	DATE	ECN	NAME	CHKD
B-1	ALL	RELEASE TO PRODUCTION	11/29/15	PREC005	AEK	DMS
C-1	2 ALL 1 ALL 1 ALL 1 ALL	CORRECTED SEPARATOR DRAIN LINES TO 1/4" ADDED NOTE TO REDUVE SEPARATOR FLOAT CORRECTED VIEW POSITIONING ADDED OVERALL DIMENSIONS ADDED OUTLINE FOR RECOMMENDED CLEARANCES UPDATED INLET TRIS	01/04/16	PREC007	MJD	GES
D	ALL	CHANGED TO TREAT ORDER, MOUNTING TRAIL UPDATED TO TWIN CENTER	10/01/19	PREC20029	GES	MMH



MINIMUM RECOMMENDED ELECTRICAL PANEL CLEARANCE PER OSHA/NEC REQUIREMENTS

24" MINIMUM RECOMMENDED MAINTENANCE CLEARANCE

2X DESICCANT DRYERS W/ PRE-FILTERS & AFTER-FILTERS. CARBON FILTERS ARE OPTIONAL.
SEE 3D MODEL ID# 725248 FOR PLUMBING DETAIL

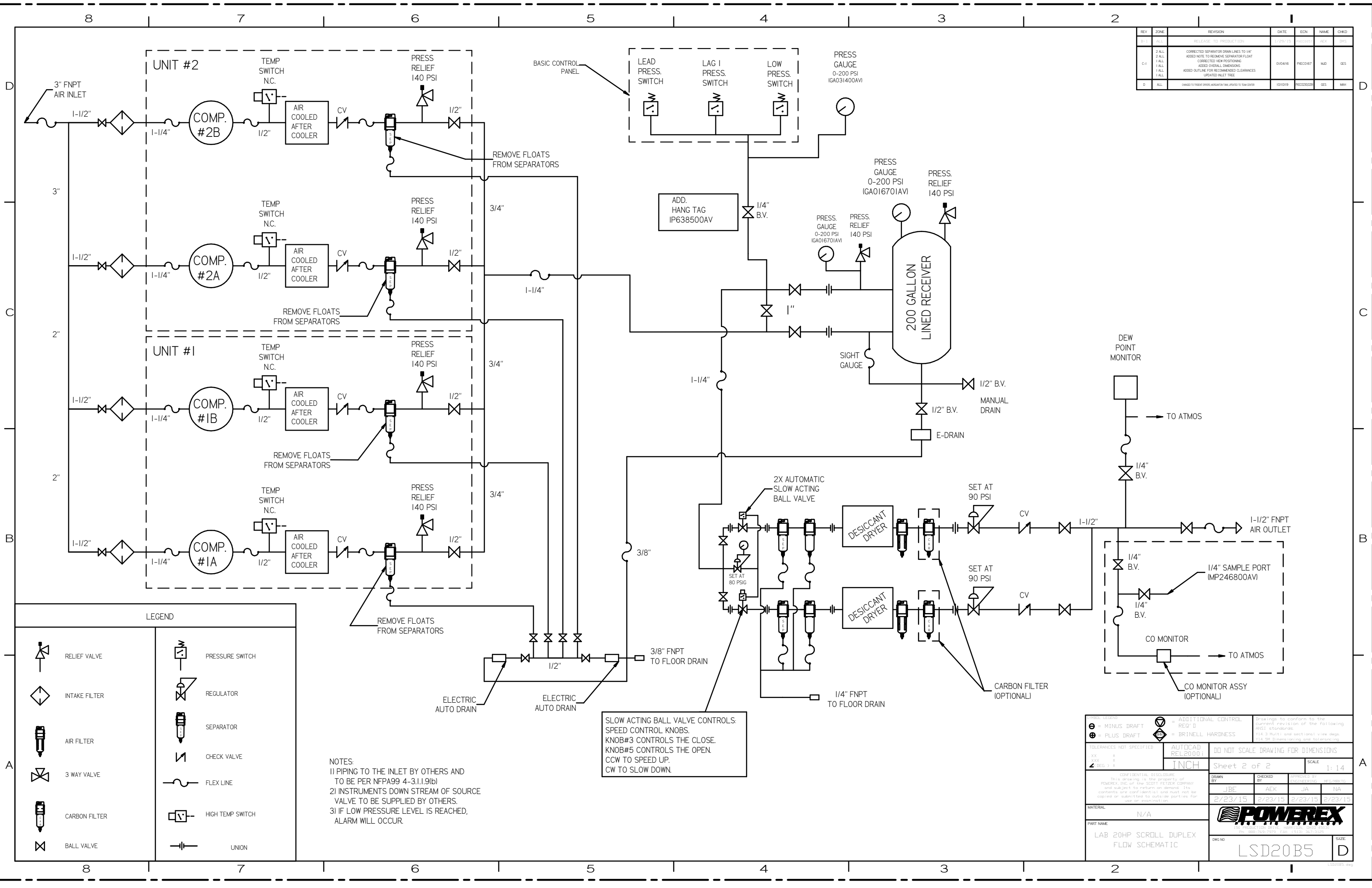


NOTES:
1) RECOMMENDED 24" CLEARANCE AROUND SYSTEM
2) INSTALL ELECTRICAL CONTROL PANEL WITH CLEARANCE PER OSHA/NEC RECOMMENDATIONS

NOTE: SYSTEM DESIGNED IN COMPLIANCE WITH US NFPA'99, LATEST EDITION.

(MINUS) = MINUS DRAFT (PLUS) = PLUS DRAFT (HOLE) = ADDITIONAL CONTROL REQ'D (HARDNESS) = BRINELL HARDNESS	Drawings to conform to the current revision of the following standards: Y14.3 Units and section 1 view dep Y14.9 Dimensioning and tolerancing
TOLERANCES NOT SPECIFIED XX ± XXX ± .4 DEG ±	AUTOCAD REL2000 I INCH DO NOT SCALE DRAWING FOR DIMENSIONS Sheet 1 of 2 SCALE 1:14
CONFIDENTIAL DISCLOSURE This drawing is the property of POWEREX, INC. of the SCOTT FETZER COMPANY and subject to return on demand. Its contents are confidential and must not be copied or submitted to outside parties for use on equipment.	DRAWN BY: JBE CHECKED BY: AEK APPROVED BY: JA, NA 2/23/15, 2/23/15, 02/20/15, 2/23/15
MATERIAL: N/A PART NAME: LAB DUPLEX SCROLL 20HP, 200GAL, BASEMOUNT DUPLEX DESICCANT	POWEREX 1000 W. 10th St. Fairview, NJ 07410 Tel: 800-559-1970 Fax: (973) 357-3100 DWG NO: LSD20B5 SIZE: D

REV	ZONE	REVISION	DATE	ECN	NAME	CHKD
0	ALL	REVISED FOR PROJECT LOG	02/15/15		JBE	JBE
1	ALL	CORRECTED SEPARATOR DRAIN LINES TO 1/4"				
2	ALL	ADDED NOTE TO REMOVE SEPARATOR FLOAT				
3	ALL	CORRECTED VIEW POSITIONING				
4	ALL	ADDED OVERALL DIMENSIONS				
5	ALL	ADDED OUTLINE FOR RECOMMENDED CLEARANCES				
6	ALL	UPDATED INLET TREE				
7	ALL	ADDED TO THESE DRAIN LINES TO BE ADDED TO THE DRAIN	01/02/15		JBE	JBE



LEGEND

	RELIEF VALVE		PRESSURE SWITCH
	INTAKE FILTER		REGULATOR
	AIR FILTER		SEPARATOR
	3 WAY VALVE		CHECK VALVE
	CARBON FILTER		FLEX LINE
	BALL VALVE		HIGH TEMP SWITCH
			UNION

NOTES:
 1) PIPING TO THE INLET BY OTHERS AND TO BE PER NFPA99 4-3.1.1.9(b)
 2) INSTRUMENTS DOWN STREAM OF SOURCE VALVE TO BE SUPPLIED BY OTHERS.
 3) IF LOW PRESSURE LEVEL IS REACHED, ALARM WILL OCCUR.

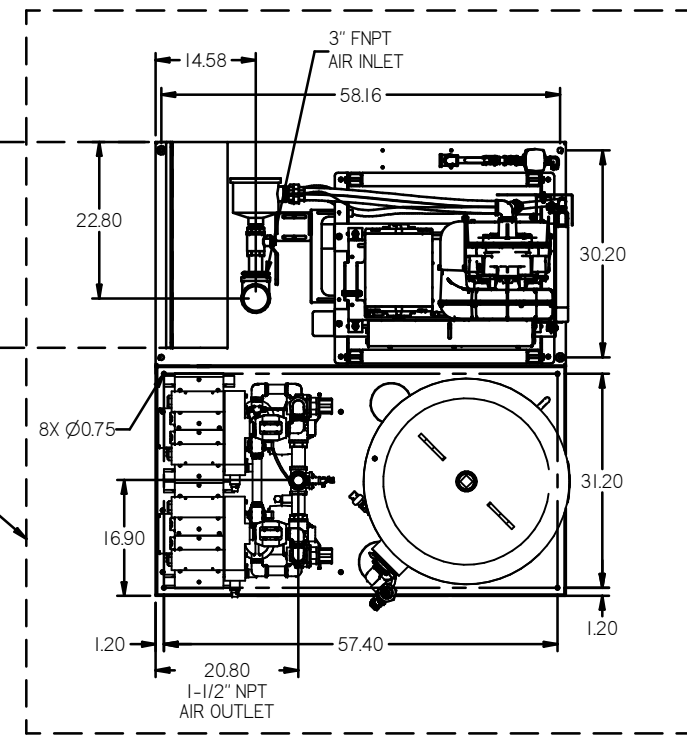
SLOW ACTING BALL VALVE CONTROLS SPEED CONTROL KNOBS. KNOB#3 CONTROLS THE CLOSE. KNOB#5 CONTROLS THE OPEN. CCW TO SPEED UP. CW TO SLOW DOWN.

TOLERANCES NOT SPECIFIED		DO NOT SCALE DRAWING FOR DIMENSIONS	
XX	+	AUTOCAD REL2000	
XX	+	INCH	
2 DEG	+	Sheet 2 of 2	
SCALE 1:14			
<p>CONFIDENTIAL INFORMATION: This drawing is the property of POWEREX, INC. of the SCOTT FETZER COMPANY and subject to return on demand. Its contents are confidential and must not be copied or submitted for public use without the written consent of POWEREX, INC.</p>			
DATE	BY	CHECKED BY	APPROVED BY
2/23/15	JBE	AEK	JR
			NA
MATERIAL: N/A			
PART NAME: LAB 20HP SCROLL DUPLEX FLOW SCHEMATIC			
DWG NO	SIZE		
LSD20B5	D		

REV	ZONE	REVISION	DATE	ECN	NAME	QWD
1	ALL	RELEASE TO PRODUCTION	08/05/15		JBE	NA
2	ALL	CORRECTED SEPARATOR DRAIN LINES TO 1/4"				
2	ALL	ADDED NOTE TO READVISE SEPARATOR FLOAT				
1	ALL	CORRECTED VIEW POSITIONING				
1	ALL	ADDED OVERALL DIMENSIONS	01/04/16		PREC0107	MLD
1	ALL	ADDED OUTLINE FOR RECOMMENDED CLEARANCES				GES
1	ALL	UPDATED INLET TREE				
0	ALL	CHANGED TO TREAT OFFICE, WASHINGTON FROM OFFICE TO TOWN CENTER	01/01/19		PREC02028	GES
						MMH

MINIMUM RECOMMENDED ELECTRICAL PANEL CLEARANCE PER OSHA/NEC REQUIREMENTS

24" MINIMUM RECOMMENDED MAINTENANCE CLEARANCE

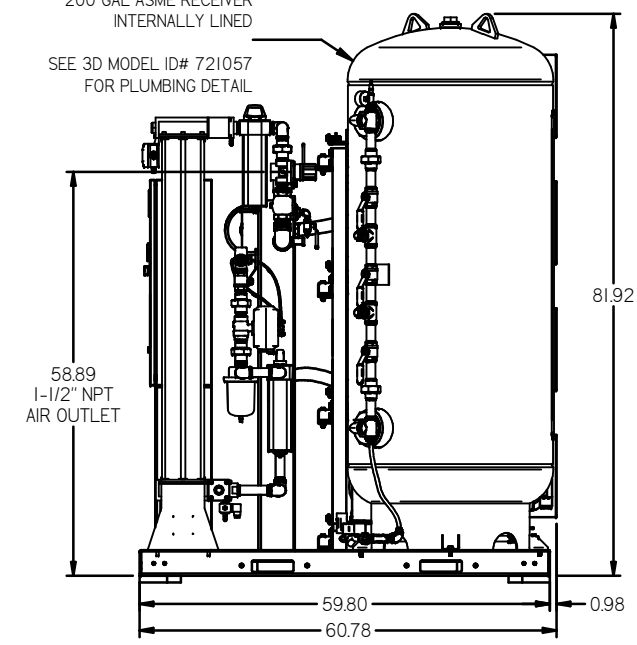
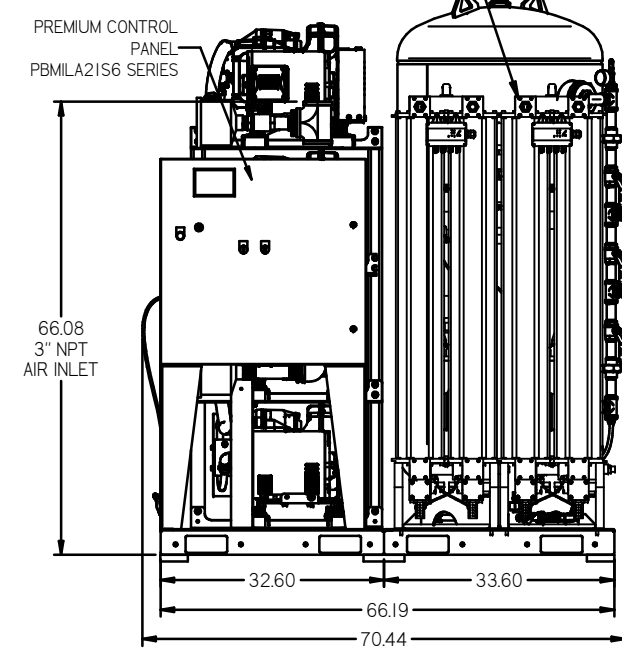


2X DESICCANT DRYERS W/ PRE-FILTERS & AFTER-FILTERS. CARBON FILTERS ARE OPTIONAL.

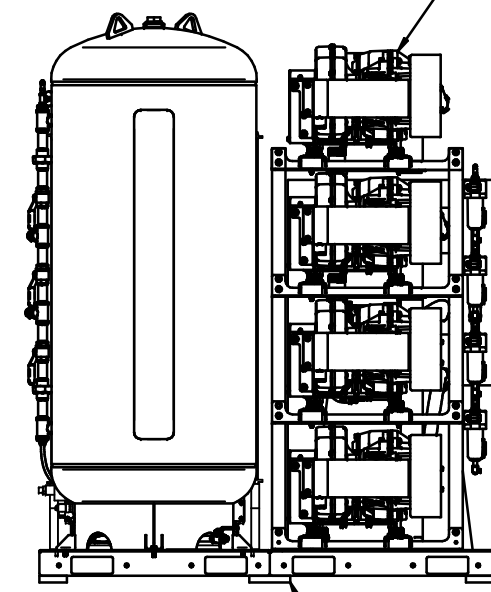
SEE 3D MODEL ID# 725248 FOR PLUMBING DETAIL

200 GAL ASME RECEIVER INTERNALLY LINED

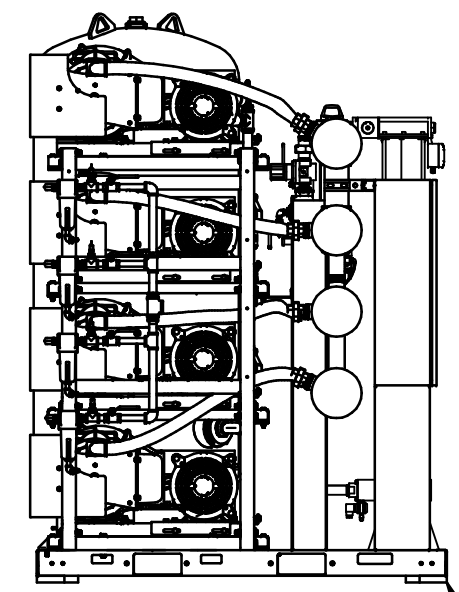
SEE 3D MODEL ID# 721057 FOR PLUMBING DETAIL



4X 10HP OILLESS SCROLL AIR END (2 X 20HP)



ISOLATION PADS 6" X 6" X 1" (QTY.2)



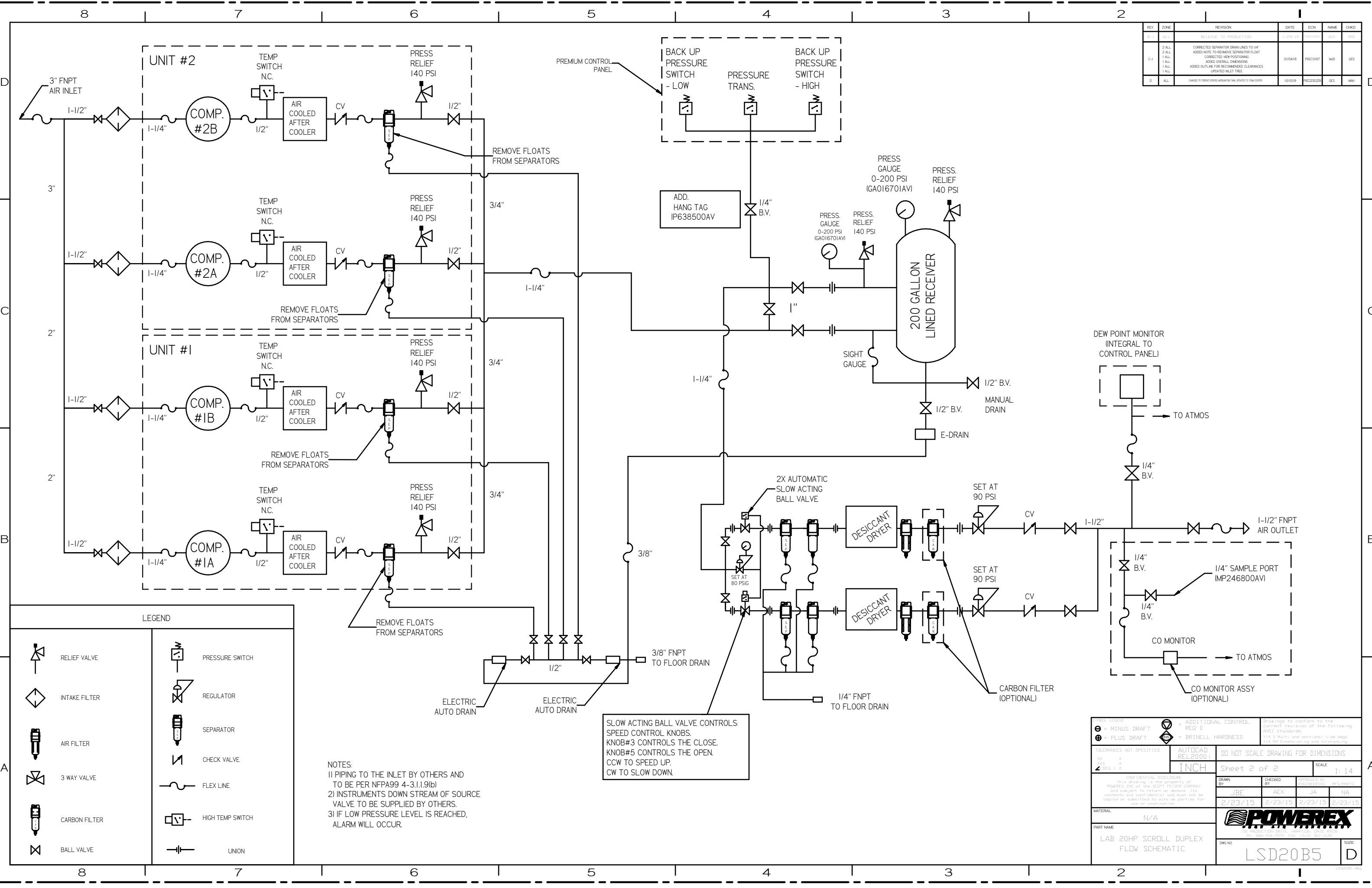
ISOLATION PADS 4" X 4" X 1" (QTY.4)

NOTES:
1) RECOMMENDED 24" CLEARANCE AROUND SYSTEM
2) INSTALL ELECTRICAL CONTROL PANEL WITH CLEARANCE PER OSHA/NEC RECOMMENDATIONS

NOTE: SYSTEM DESIGNED IN COMPLIANCE WITH US NFPA'99, LATEST EDITION.

SYMBOL LEGEND ⊖ = MINUS DRAFT ⊕ = PLUS DRAFT	⊕ = ADDITIONAL CONTROL REQ'D ⊖ = BRINELL HARDNESS	Drawings to conform to the current revision of the following ASME standards: (14.3 Multi and sectional view dsgs) (14.9 Dimensioning and tolerancing)
TOLERANCES NOT SPECIFIED XX ± .001 YY ± .002 ZZ ± .005	AUTOCAD REL2000 INCH	DO NOT SCALE DRAWING FOR DIMENSIONS Sheet 1 of 2 SCALE 1:14
CONFIDENTIAL DISCLOSURE This drawing is the property of POWEREX, INC. of the SCOTT FELTZER COMPANY and subject to return on demand. Its contents are confidential and must not be copied or submitted to outside parties for use or reproduction.		
MATERIAL N/A	DRAWN BY JBE 2/23/15	CHECKED BY AEK 2/23/15
PART NAME LAB DUPLEX SCROLL 20HP, 200GAL, BASEMOUNT DUPLEX DESICCANT	APPROVED BY JA 02/20/15	REVISIONS NA 2/23/15
DWG NO LSD20B5		SIZE D

REV	ZONE	REVISION	DATE	ECN	NAME	CHKD
1	ALL	RELEASE TO PRODUCTION	1/23/15		JBE	JBE
2	ALL	CORRECTED SEPARATOR DRAIN LINES TO 1/4"				
2	ALL	ADDED NOTE TO REMOVE SEPARATOR FLOAT				
1	ALL	CORRECTED VIEW POSITIONING				
1	ALL	ADDED OVERALL DIMENSIONS				
1	ALL	ADDED OUTLINE FOR RECOMMENDED CLEARANCES				
1	ALL	UPDATED INLET TREE				
D	ALL	CHANGED TO 20HP SCROLL DUPLEX FLOW SCHEMATIC	10/20/19		PREC0167	GES



LEGEND

	RELIEF VALVE		PRESSURE SWITCH
	INTAKE FILTER		REGULATOR
	AIR FILTER		SEPARATOR
	3 WAY VALVE		CHECK VALVE
	CARBON FILTER		FLEX LINE
	BALL VALVE		HIGH TEMP SWITCH
			UNION

NOTES:
 1) PIPING TO THE INLET BY OTHERS AND TO BE PER NFPA99 4-3.1.1.9(b)
 2) INSTRUMENTS DOWN STREAM OF SOURCE VALVE TO BE SUPPLIED BY OTHERS.
 3) IF LOW PRESSURE LEVEL IS REACHED, ALARM WILL OCCUR.

SLOW ACTING BALL VALVE CONTROLS:
 SPEED CONTROL KNOBS.
 KNOB#3 CONTROLS THE CLOSE.
 KNOB#5 CONTROLS THE OPEN.
 CCW TO SPEED UP.
 CW TO SLOW DOWN.

TOLERANCES NOT SPECIFIED XX ± X.XX ± .XX DEG ±	AUTOCAD REL.2000.1 INCH	DO NOT SCALE DRAWING FOR DIMENSIONS Sheet 2 of 2 SCALE 1:14
This drawing is the property of POWEREX, INC. or its SOCIETY FELLOW COMPANY and subject to return on demand. Its contents are confidential and must not be copied or submitted to outside parties for use or examination.		DRAWN BY: JBE CHECKED BY: AEK APPROVED BY: JJA, NA 2/23/15, 2/23/15, 2/23/15, 2/23/15
MATERIAL: N/A PART NAME: LAB 20HP SCROLL DUPLEX FLOW SCHEMATIC		 150 PRODUCTION DRIVE, HARRISBURG, OHIO 45030 PH: 600-765-7075 FAX: 610-350-3105
DWG NO: LSD20B5		SIZE: D