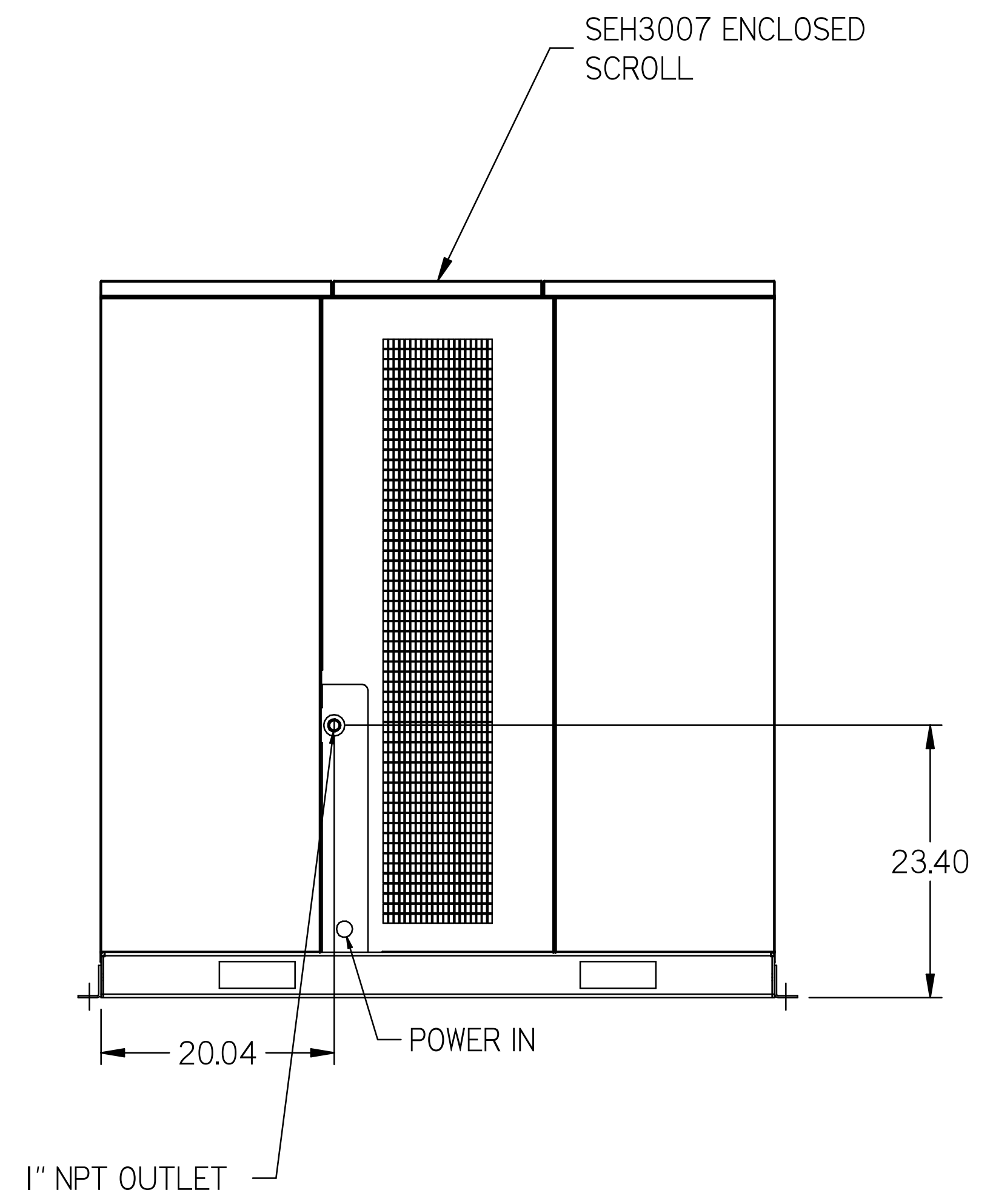
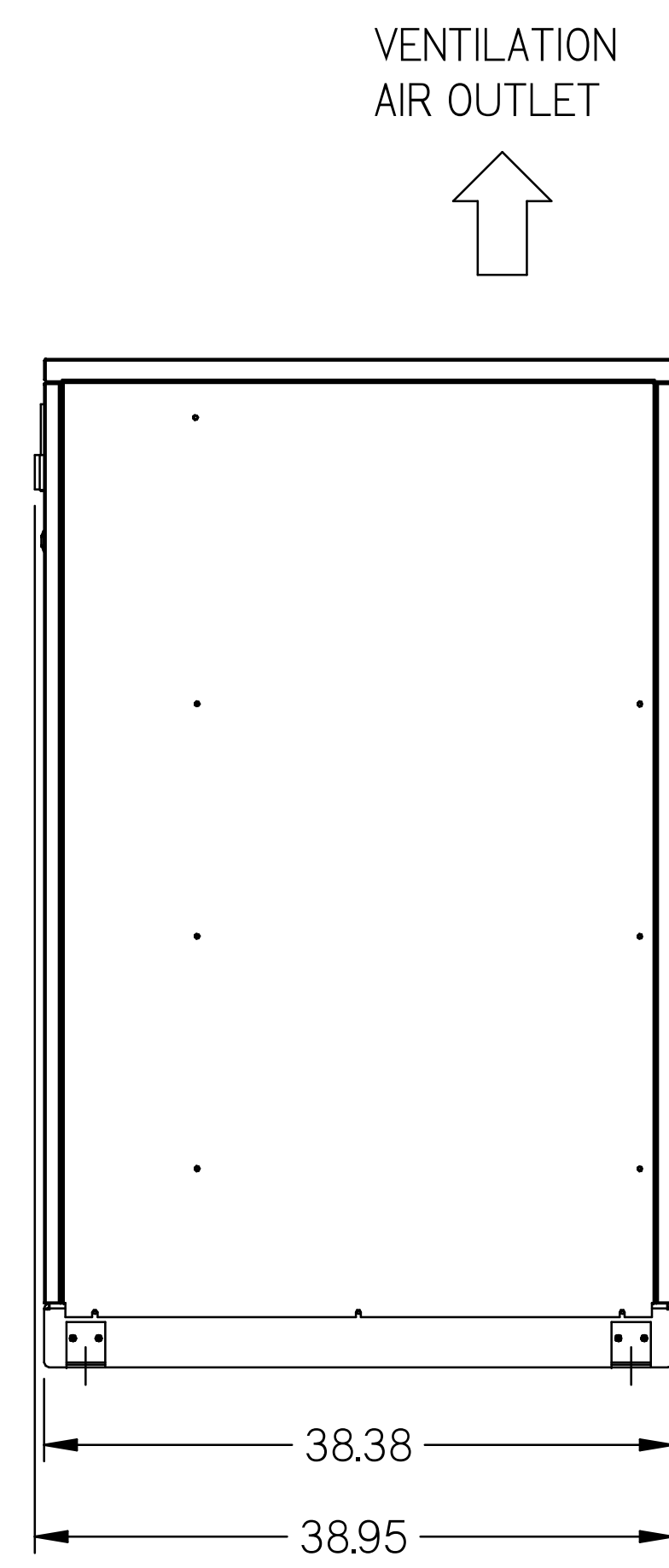
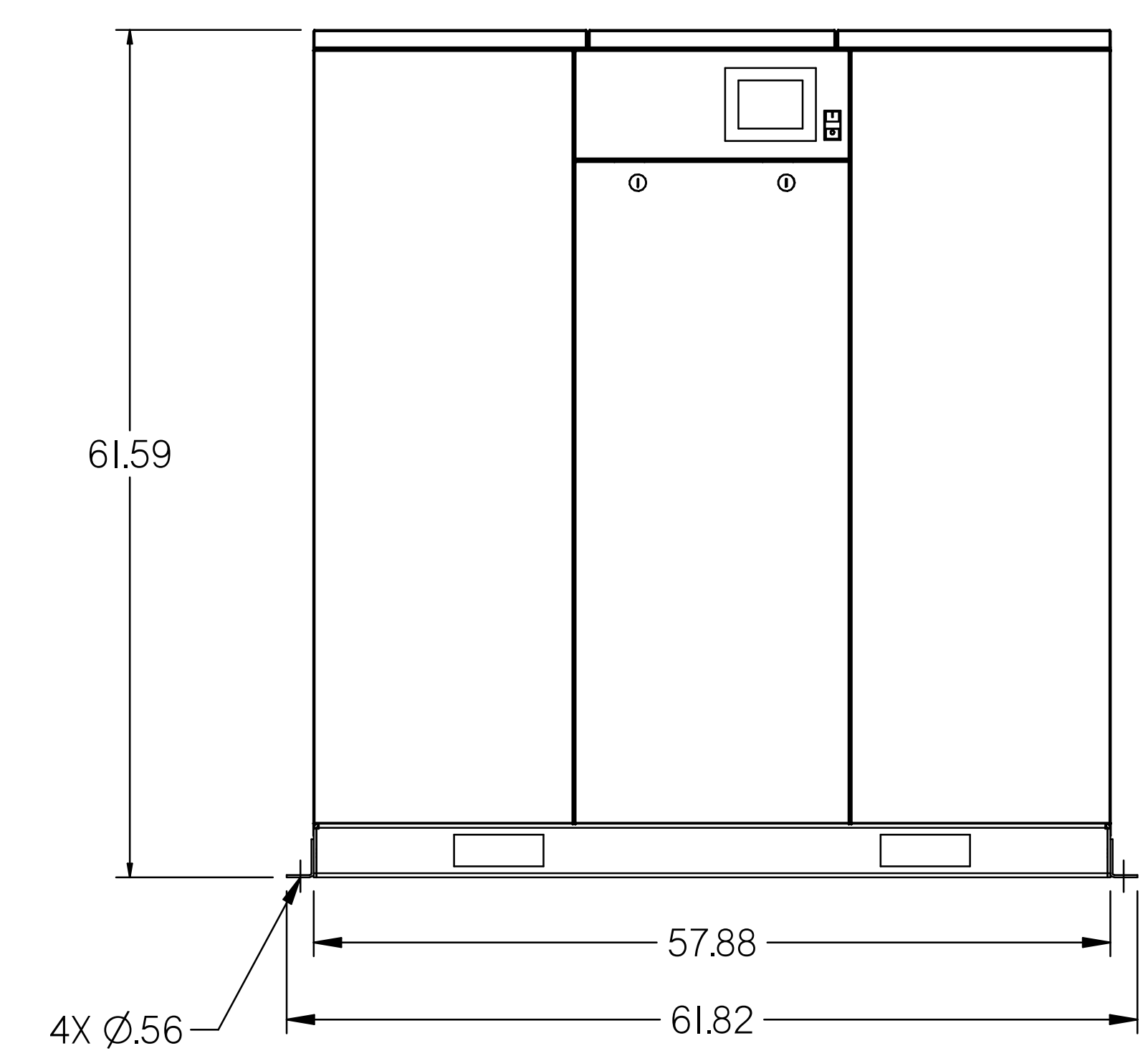
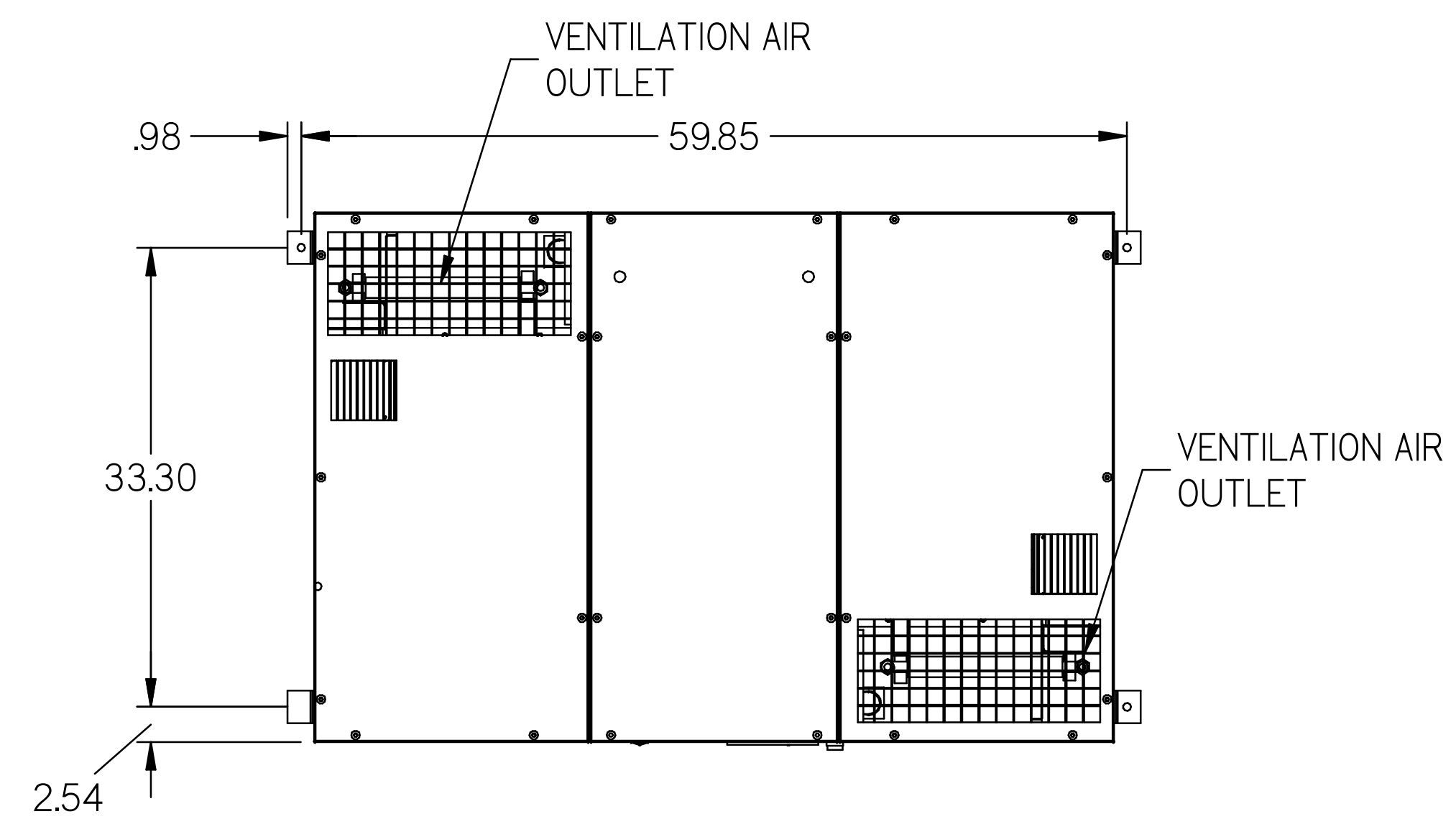


REV	ZONE	REVISION	DATE	ECN	NAME	CHKD
A-1	ALL	SUBMITTAL DRAWINGS	4/23/13	PREC0035	RK	AEK
B-1	ALL	RELEASE FOR PRODUCTION	04/23/13	PREC0032	RK	AEK
C-1	2,3 ALL	CONVERT TO POWREX DRYER	2/20/14	PREC0074	RK	AEK
D-1	2,3 ALL	UPDATED DRYER OUTLET ORIENTATION	4/1/15	PREC0100	AEK	GES
E	ALL	ADDED GAUGE AND BRACKET	6/20/19	PREC0273	MWJ	SJA
F	ALL	CHANGED TO TRIDENT DRYERS, MORGANTON TANK, UPDATED TO TC	9/10/19	PREC0301.020	RJM	GES



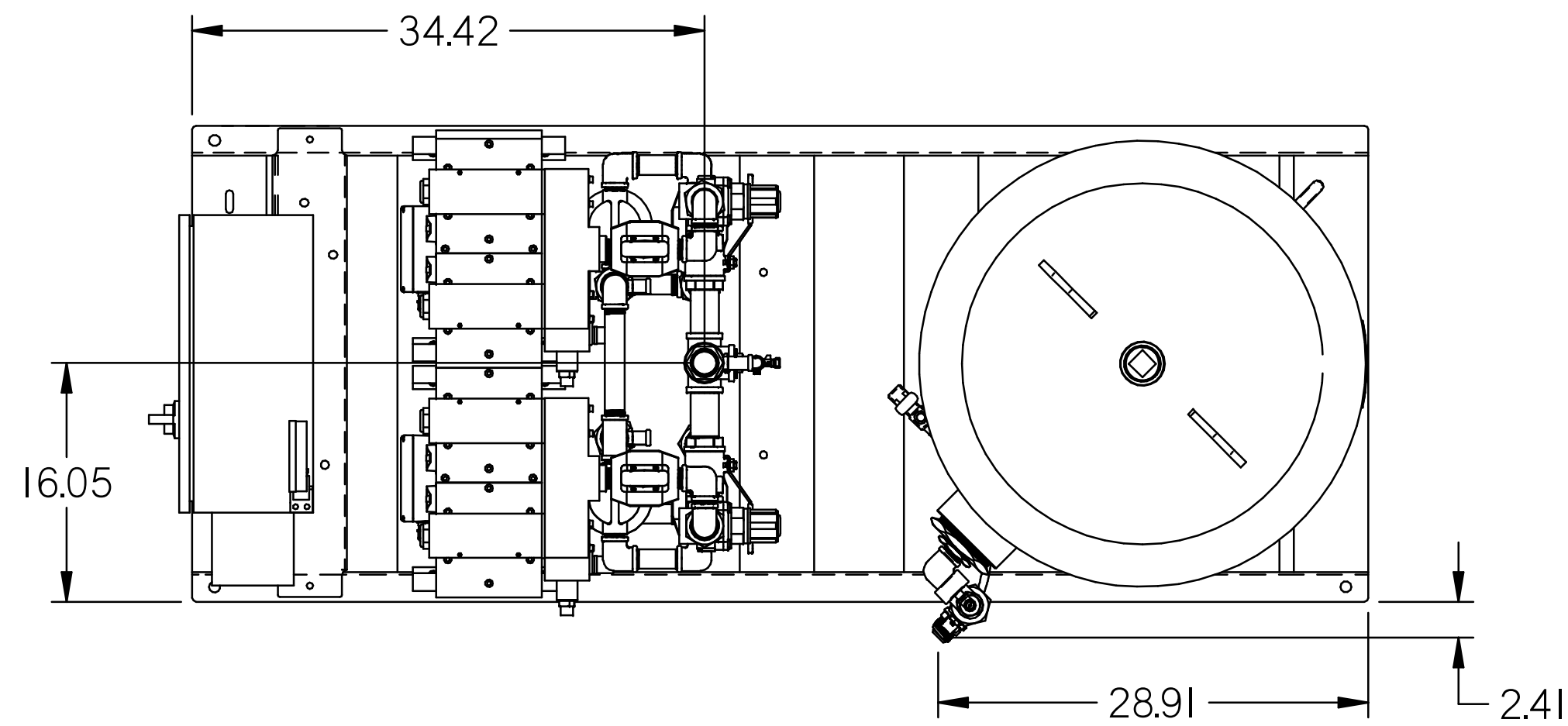
NOTE:  
 1) SHEET 1 - SEH3007 LAYOUT  
 SHEET 2 - AIR TREATMENT LAYOUT  
 SHEET 3 - PLAN VIEW  
 SHEET 4 - FLOW SCHEMATIC

SYMBOL LEGEND ⊖ = MINUS DRAFT ⊕ = PLUS DRAFT 2 (REG.) =		= ADDITIONAL CONTROL REQ'D = BRINELL HARDNESS		Drawings to conform to the current revision of the following ANSI standards: Y14.3 Multi and sectional view dgs Y14.5M Dimensioning and tolerancing	
TOLERANCES NOT SPECIFIED .XX = .XXX = 2 (REG.) =		AUTOCAD REL2008 LT INCH		DO NOT SCALE DRAWING FOR DIMENSIONS Sheet 1 of 4 SCALE 1:10	
CONFIDENTIAL DISCLOSURE This drawing is the property of POWREX, INC. of the SCOTT FETZER COMPANY and subject to return on demand. Its contents are confidential and must not be copied or submitted to outside parties for use or examination.		DRAWN BY RK	CHECKED BY AEK	APPROVED BY JA	DATE CT
MATERIAL N/A		DATE 4/23/13	DATE 4/23/13	DATE 4/23/13	DATE 4/23/13
PART NAME 30HP ENCLOSED SCROLL				SIZE D	
200GAL DUAL DESICCANT LAB PACKAGE		DWG NO LSE3005		LSE3005.dwg	

8 7 6 5 4 3 2 1

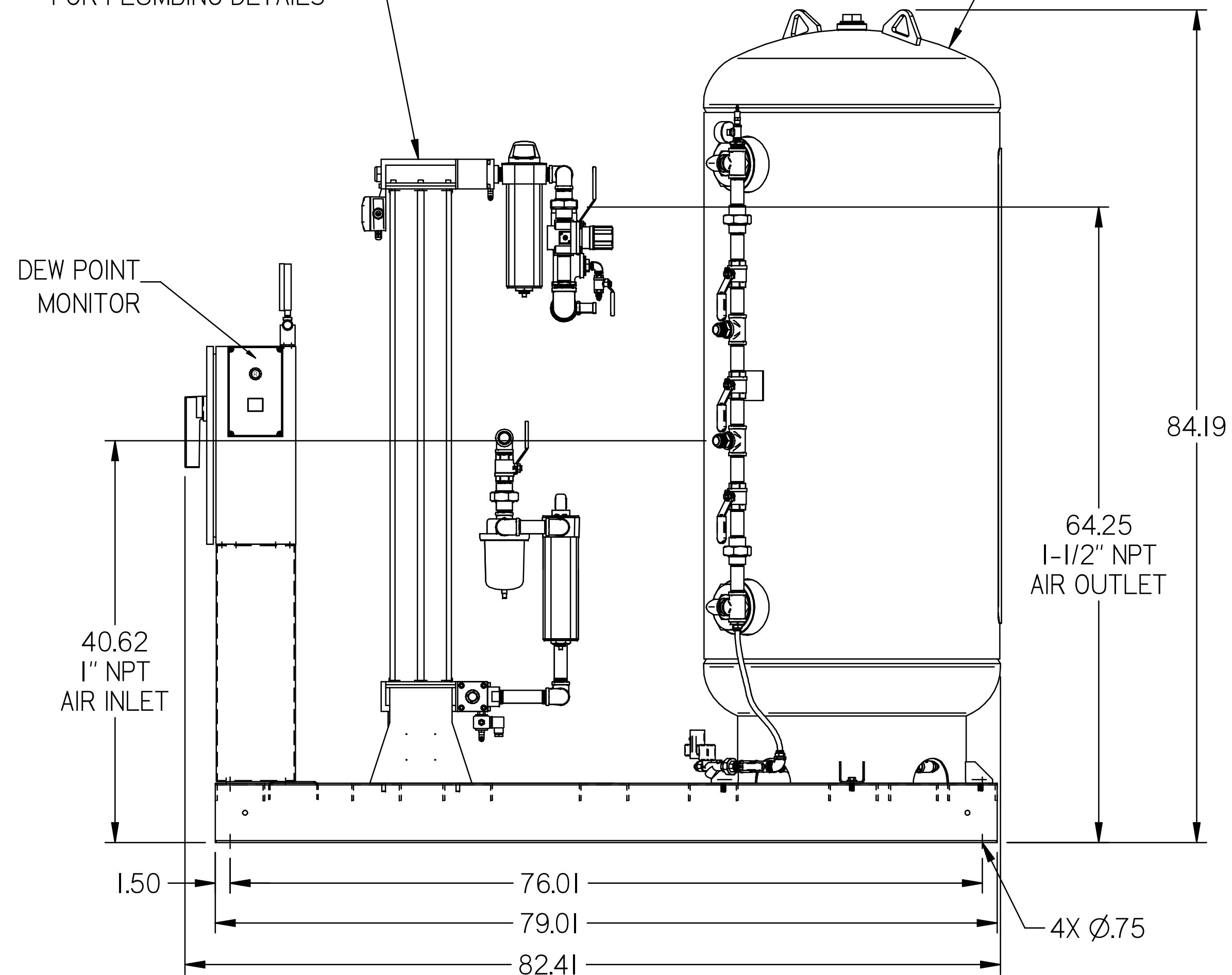
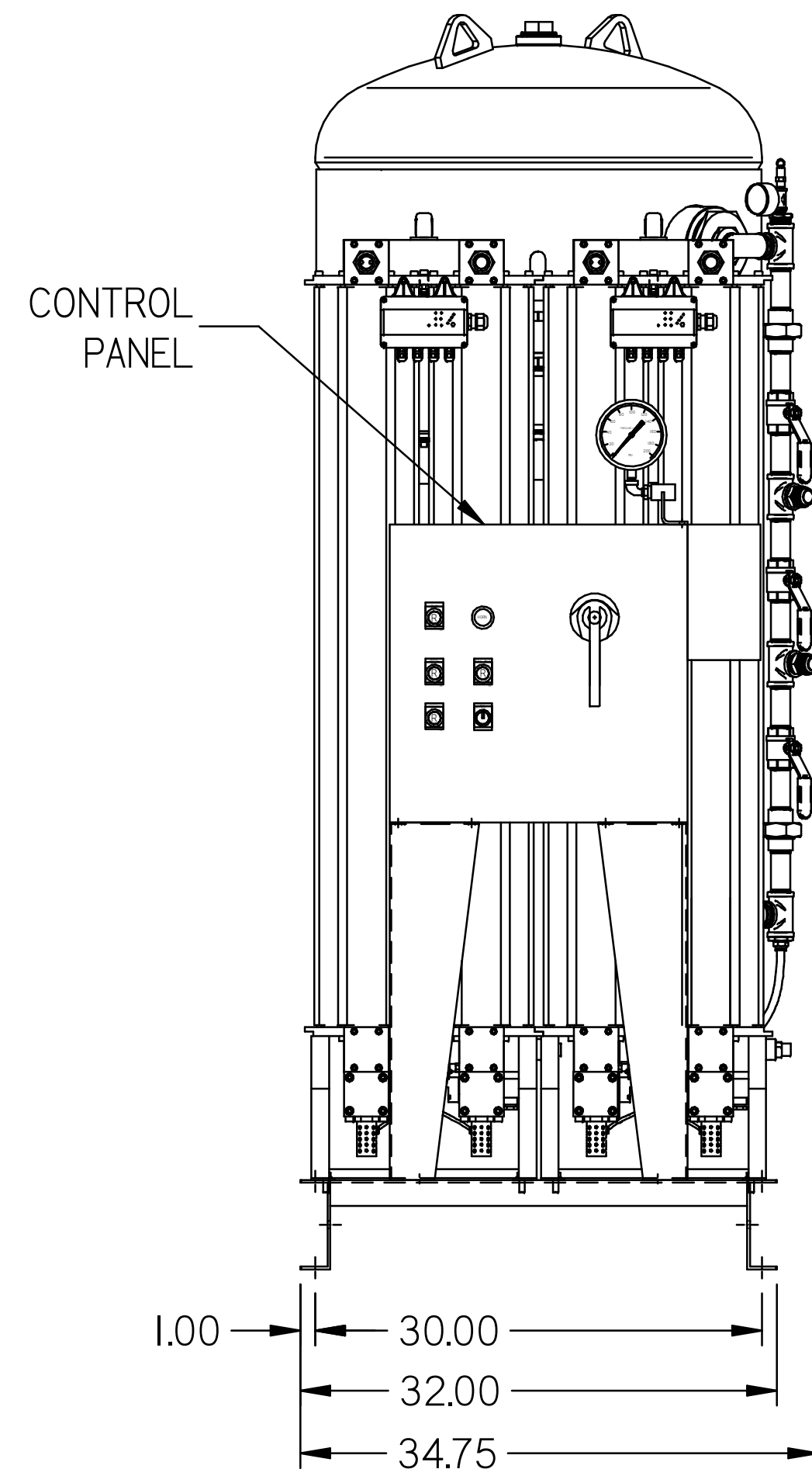
REV	ZONE	REVISION	DATE	ECN	NAME	CHKD
B-3	ALL	SUBMITTAL DRAWINGS	11/23/13	PRE0032	RK	AEK
B-4	ALL	RELEASE FOR PRODUCTION	04/23/13	PRE0032	RK	AEK
C-1	2,3 ALL	CONVERT TO POWEREX DRYER	2/20/14	PRE0074	RK	AEK
D-1	2,3 ALL	UPDATED DRYER OUTLET ORIENTATION	4/1/15	PRE0100	AEK	GES
E	ALL	ADDED GAUGE AND BRACKET	6/20/19	PRE0273	MH	SJA
F	ALL	CHANGED TO TRIDENT DRYERS, MORGANTON TANK, UPDATED TO TC	8/10/19	PRE0305 039	RJH	GES

D  
C  
B  
A



2X DESICCANT DRYER  
W/ PRE-FILTER & AFTER-FILTER  
SEE DRYER 3D MODEL ID# 724672  
FOR PLUMBING DETAILS

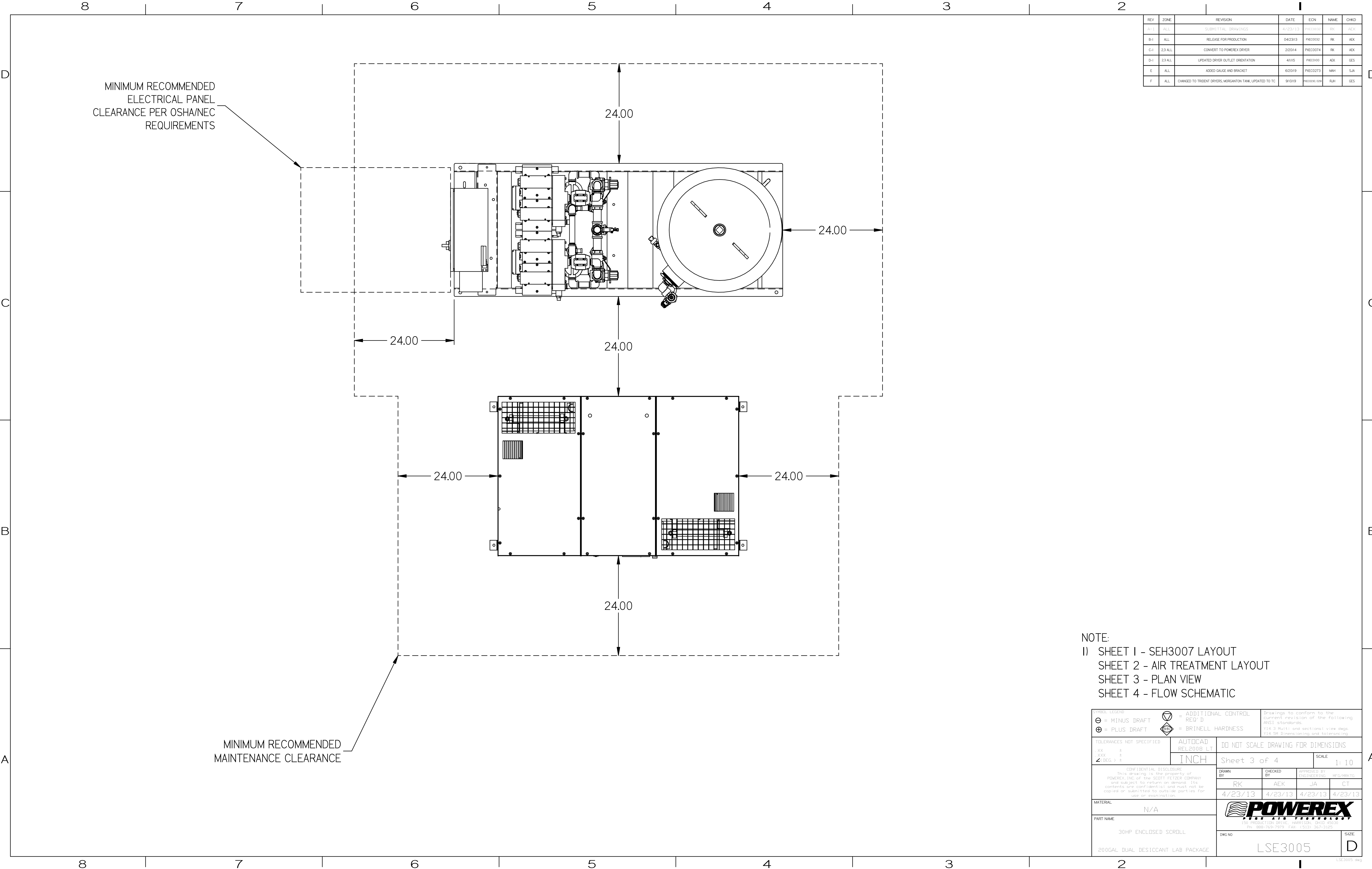
200 GAL INTERNALLY LINED  
ASME RECEIVER  
SEE TANK 3D MODEL ID# 721057 FOR  
PLUMBING DETAILS



NOTE:  
 1) SHEET 1 - SEH3007 LAYOUT  
 SHEET 2 - AIR TREATMENT LAYOUT  
 SHEET 3 - PLAN VIEW  
 SHEET 4 - FLOW SCHEMATIC

SYMBOL LEGEND ⊖ = MINUS DRAFT ⊕ = PLUS DRAFT Ⓢ = ADDITIONAL CONTROL REQ'D HB = BRINELL HARDNESS		Drawings to conform to the current revision of the following ANSI standards: Y14.3 Multi and sectional view dgs. Y14.9M Dimensioning and tolerancing	
TOLERANCES NOT SPECIFIED .XX ± .XXX ± .Z (DEG.) ±		AUTOCAD REL2008 LT INCH DO NOT SCALE DRAWING FOR DIMENSIONS Sheet 2 of 4 SCALE 1:10	
CONFIDENTIAL DISCLOSURE This drawing is the property of POWEREX, INC. of the SCOTT FELTZER COMPANY and subject to return or demand. Its contents are confidential and must not be copied or submitted to outside parties for use or examination.		DRAWN BY: RK CHECKED BY: AEK APPROVED BY: JJA, CT 4/23/13 4/23/13 4/23/13 4/23/13	
MATERIAL: N/A PART NAME: 30HP ENCLOSED SCROLL 200GAL DUAL DESICCANT LAB PACKAGE		 150 PRODUCTION DRIVE, HARRISON, OHIO 45030 PH: 888-124-7879 FAX: 513-367-3125 DWG NO: LSE3005 SIZE: D	

8 7 6 5 4 3 2 1

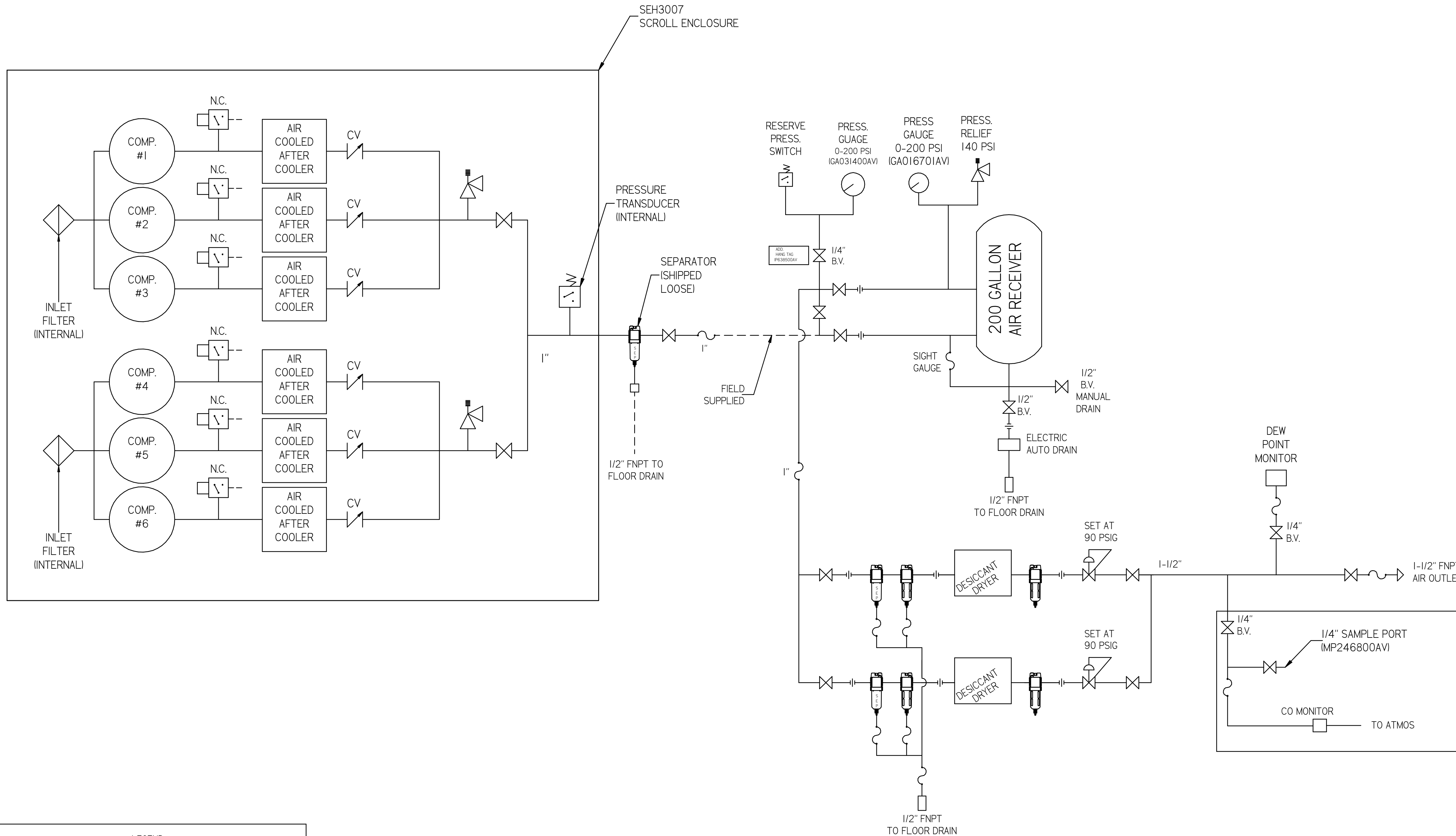


REV	ZONE	REVISION	DATE	ECN	NAME	CHKD
A-1	ALL	ISSUE FINAL DRAWINGS	4/23/13	PREC0033	RK	AEK
B-1	ALL	RELEASE FOR PRODUCTION	04/23/13	PREC0032	RK	AEK
C-1	2,3 ALL	CONVERT TO POWEREX DRYER	2/20/14	PREC0074	RK	AEK
D-1	2,3 ALL	UPDATED DRYER OUTLET ORIENTATION	4/1/15	PREC0100	AEK	DES
E	ALL	ADDED GAUGE AND BRACKET	6/20/19	PREC0275	MHH	SJA
F	ALL	CHANGED TO TRIDENT DRYERS, MORGANTON TANK, UPDATED TO TC	9/10/19	PREC0361.001	RJM	DES

NOTE:  
 I) SHEET 1 - SEH3007 LAYOUT  
 SHEET 2 - AIR TREATMENT LAYOUT  
 SHEET 3 - PLAN VIEW  
 SHEET 4 - FLOW SCHEMATIC

SYMBOL LEGEND ⊖ = MINUS DRAFT ⊕ = PLUS DRAFT ⊕ = ADDITIONAL CONTROL REQ'D HB = BRINELL HARDNESS		Drawings to conform to the current revision of the following ANSI standards: Y14.3 Multi and sectional view dregs Y14.9 Dimensioning and tolerancing	
TOLERANCES NOT SPECIFIED .XX ± .XXX ± 2 (DEC.) ±		AUTOCAD REL2008 LT INCH DO NOT SCALE DRAWING FOR DIMENSIONS Sheet 3 of 4 SCALE 1:10	
CONFIDENTIAL DISCLOSURE This drawing is the property of POWEREX, INC. of the SCOTT FETZER COMPANY and subject to return on demand. Its contents are confidential and must not be copied or submitted to outside parties for use or examination.		DRAWN BY: RK CHECKED BY: AEK APPROVED BY: JJA, CT 4/23/13, 4/23/13, 4/23/13, 4/23/13	
MATERIAL: N/A			
PART NAME: 30HP ENCLOSED SCROLL 200GAL DUAL DESICCANT LAB PACKAGE		DWG NO: LSE3005 SIZE: D	

REV	ZONE	REVISION	DATE	ECN	NAME	CHKD
A-1	ALL	SUBMITTAL DRAWINGS	8/23/13		RK	AEK
B-1	ALL	RELEASE FOR PRODUCTION	04/23/13	PREC0032	RK	AEK
C-1	2,3 ALL	CONVERT TO POWEREX DRIVER	2/20/14	PREC0074	RK	AEK
D-1	2,3 ALL	UPDATED DRYER OUTLET ORIENTATION	4/1/15	PREC0100	AEK	GES
E	ALL	ADDED GAUGE AND BRACKET	8/20/19	PREC0273	MH	SJA
F	ALL	CHANGED TO TRENT DRIVERS, MORGANTON TANK, UPDATED TO TC	9/10/19	REC035.029	RLH	GES



LEGEND	
	RELIEF VALVE
	INTAKE FILTER
	AIR FILTER
	CARBON FILTER
	BALL VALVE
	3 WAY VALVE
	REGULATOR
	SEPARATOR
	FLEX LINE
	HIGH TEMP SWITCH
	UNION
	CHECK VALVE

NOTE:  
 1) SHEET 1 - SEH3007 LAYOUT  
 SHEET 2 - AIR TREATMENT LAYOUT  
 SHEET 3 - PLAN VIEW  
 SHEET 4 - FLOW SCHEMATIC

SYMBOL LEGEND ⊖ = MINUS DRAFT ⊕ = PLUS DRAFT HRC = ADDITIONAL CONTROL REQ'D HB = BRINELL HARDNESS	Drawings to conform to the current revision of the following ANSI standards: Y14.3 Multi and sectional view dwgs. Y14.5M Dimensioning and tolerancing
TOLERANCES NOT SPECIFIED: XX ± .XX ± ∠ (DEG) ±	AUTOCAD REL2008 LT DO NOT SCALE DRAWING FOR DIMENSIONS Sheet 4 of 4 SCALE 1:10
CONFIDENTIAL DISCLOSURE This drawing is the property of POWEREX, INC. of the SCOTT FETZER COMPANY and subject to return or demand. Its contents are confidential and must not be copied or submitted to outside parties for use or examination.	DRAWN BY: RK CHECKED BY: AEK APPROVED BY: JA, CT DATES: 4/23/13, 4/23/13, 4/23/13, 4/23/13
MATERIAL: N/A PART NAME: 30HP ENCLOSED SCROLL FLOW SCHEMATIC	 150 PRODUCTION DRIVE, HARRISON, OHIO 45030 PH: 508-269-2707 FAX: 513-367-3125 DWGNO: LSE3005 SIZE: D