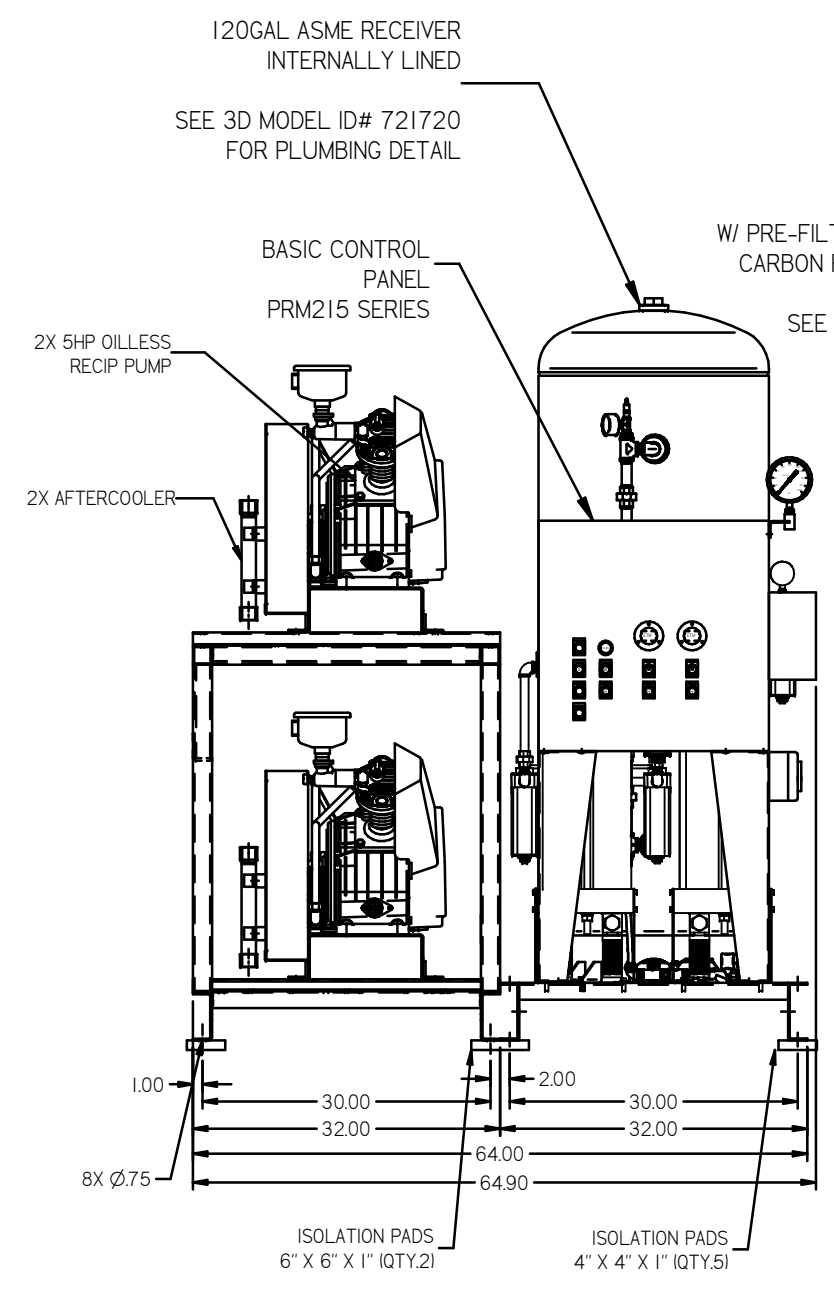
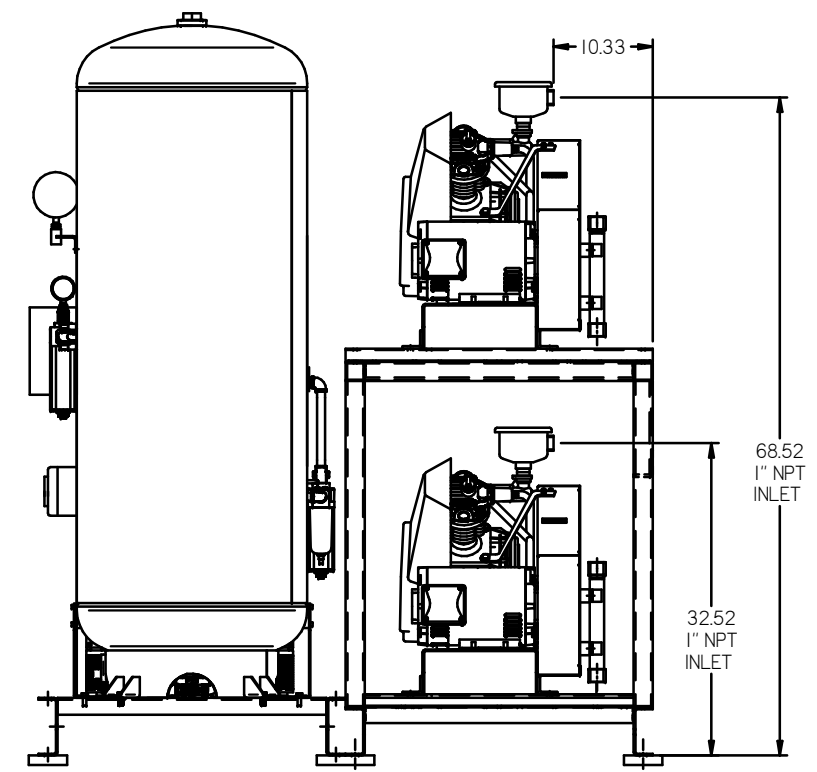
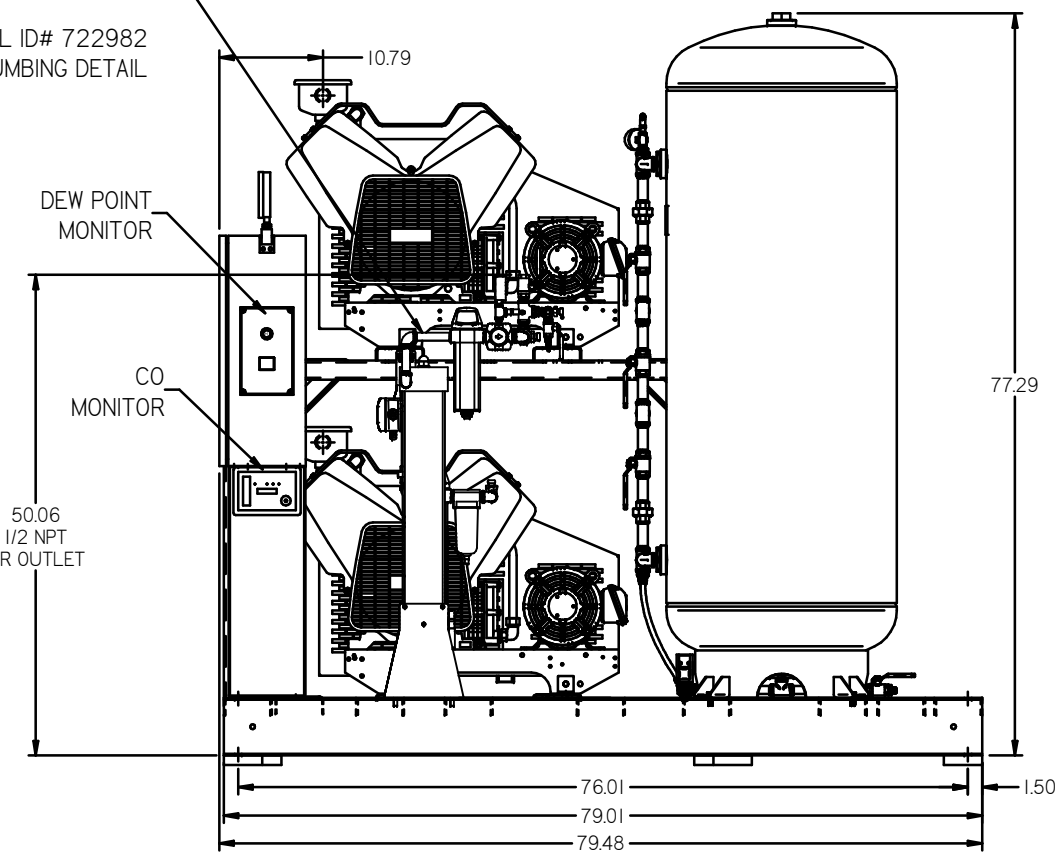
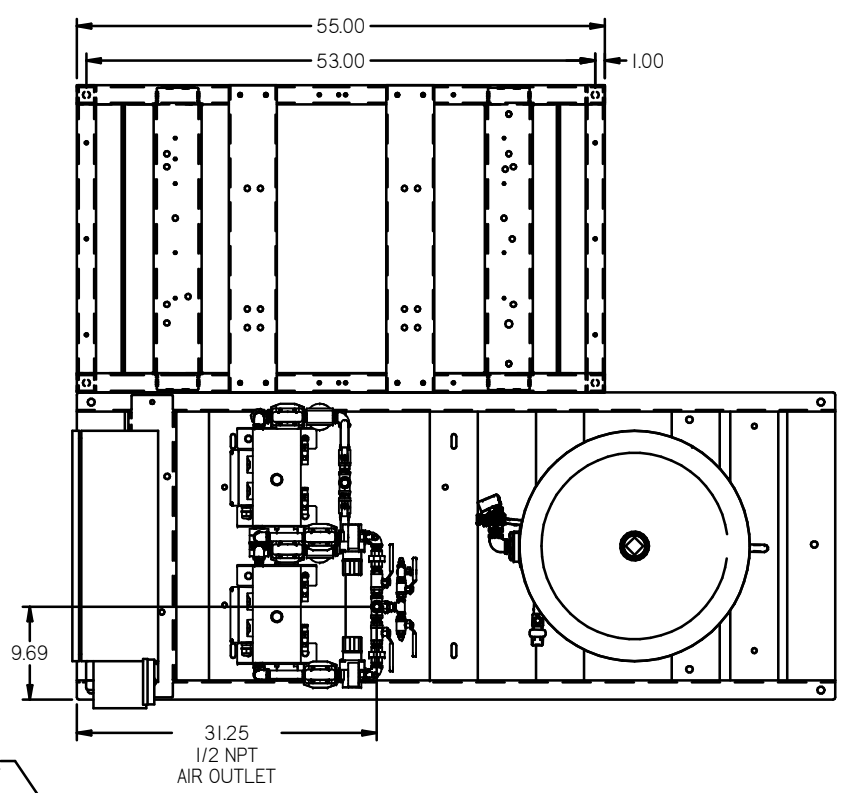


REV	ZONE	REVISION	DATE	ECN	NAME	CHKD
B-1	ALL	RELEASE TO PRODUCTION	04/08/08	21795	DMS	GES
C-1	ALL	CHANGED BUILD & FLOW TO REFLECT CURRENT PRODUCTION	04/08/08	22127	AEK	GES
D-1	1 ALL	REMOVED H BASE SKID & RELOCATED PANEL AND DRIVERS	02/24/09	22286	AEK	GES
E-1	ALL	UPDATED TO POWEREX DRIVER	10/01/09	22120	AEK	GES
F-1	1 ALL	UPDATED TO CURRENT FRAMES	11/30/10	22407	AEK	GES
G-1	ALL	ADDED PBM SHEETS	04/01/11	22809	AEK	GES
H-1	2 C4	ADDED SAUBBER VALVE	4/23/12	22734	AEK	GES
J-1	2 ALL	ADDED/UPDATED FLEX LINES	10/29/12	PREC02009	AEK	DMS
K-1	2 ALL	ADDED/CORRECTED SAUBBER VALVE	04/14/14	PREC02007	AEK	GES
L-1	2 ALL	REMOVED SAUBBER VALVE	01/20/16	PREC02033	MAD	AEK
M-1	1 ALL	CHANGED TO NEW BG DESIGN	7/14/16	PREC02032	AEK	GES
N-1	1 ALL	ADDED TOP VIEW TO BASIC CONTROLS LAYOUT	2/21/17	PREC02087	AEK	GES
P-1	1 ALL	CHANGED BASIC BUILD TANK ORIENTATION	6/27/17	PREC02211	MAD	GES
Q	ALL	CHANGED TO TREAT DRIVERS MORGAN TANK UPDATED TO TCM CENTER	8/29/19	PREC022029	GES	MAR
R	1 A4	CORRECTED FRAME SEE NEW PBM BUILD	9/23/19	PREC02071	GES	MAR

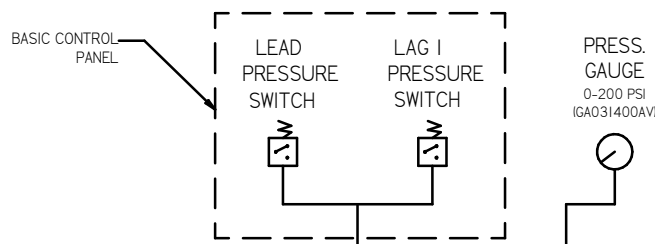
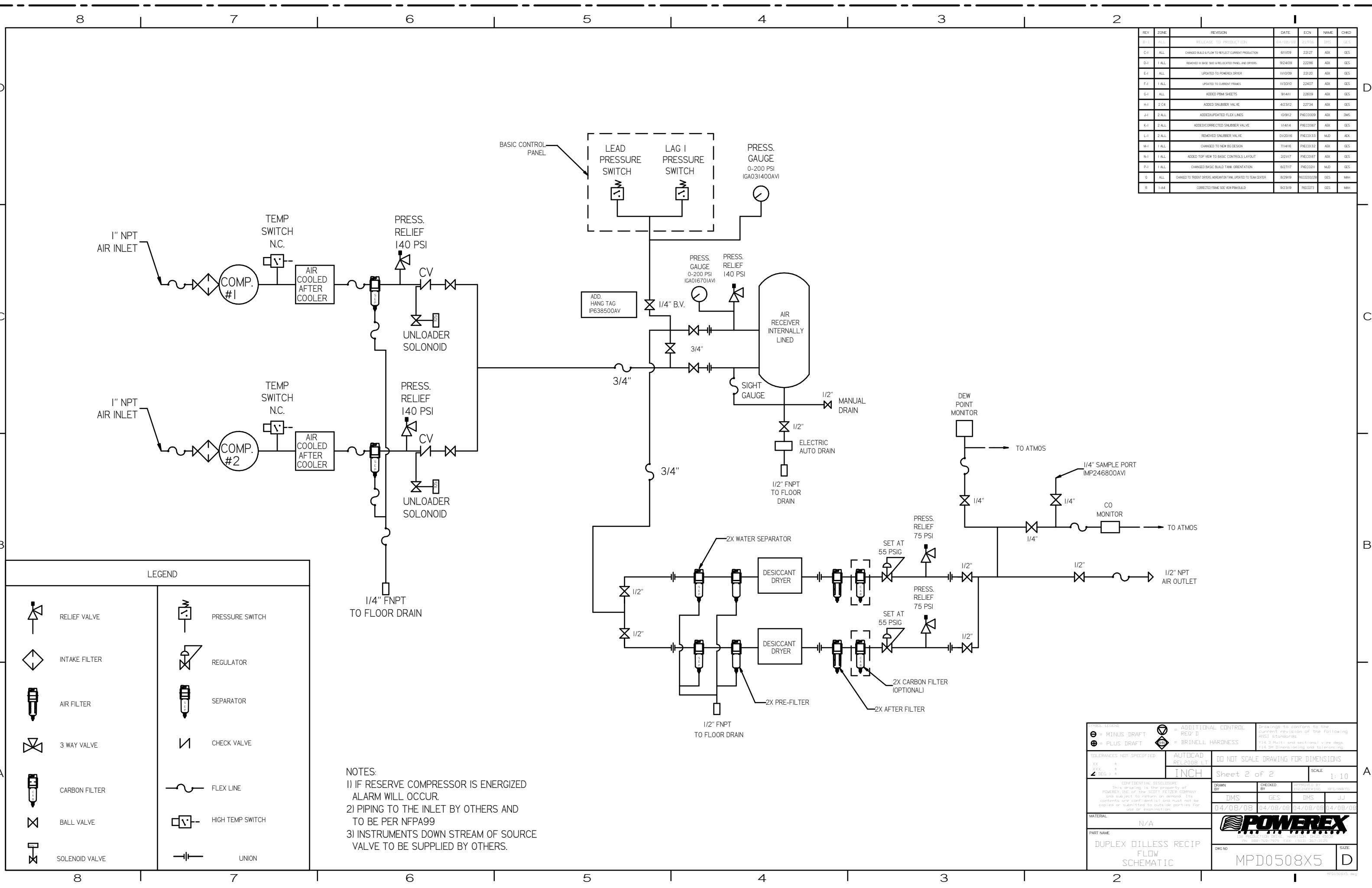


NOTE: A MINIMUM OF 24" CLEARANCE IS RECOMMENDED AROUND THE ENTIRE UNIT.

NOTE: SYSTEM DESIGNED IN COMPLIANCE WITH U.S. NFPA '99, LATEST EDITION.

SYMBOL LEGEND: ⊖ = MINUS DRAFT ⊕ = PLUS DRAFT ⊕ = BRINELL HARDNESS	⊕ = ADDITIONAL CONTROL REQ'D ⊕ = BRINELL HARDNESS	Drawing to conform to the correct revision of the following ASME standards: 114.3 Multi and sectional view dgs 114.3B Dimensioning and tolerancing
TOLERANCES NOT SPECIFIED XX ± XXX ± 4 DEG ±	AUTOCAD RELEASE L1 INCH	DO NOT SCALE DRAWING FOR DIMENSIONS Sheet 1 of 2 SCALE 1:10
CONFIDENTIAL INFORMATION This drawing is the property of POWEREX, INC. or THE SCOTT FETZER COMPANY and subject to return on demand. Its contents are confidential and must not be copied or submitted to outside parties for use or dissemination.	DRAWN BY: DMS CHECKED BY: GES APPROVED BY: DMS, JJ, MFD, MKTG	04/08/08 04/08/08 04/08/08 04/08/08
MATERIAL: N/A PART NAME: DUPLEX DILLESS RECIP 5HP 120 GAL BASEMOUNT DUPLEX DESICCANT		SIZE: D DWG NO: MPD0508X5

REV	ZONE	REVISION	DATE	ECN	NAME	CHKD
B-1	ALL	RELEASE TO PRODUCTION	04/08/08	81956	DMS	GES
C-1	ALL	CHANGED BUILD & FLOW TO REFLECT CURRENT PRODUCTION	06/09/08	22027	AEK	GES
D-1	1 ALL	REMOVED 11 BASE SMO & RELOCATED PANEL AND DRIVERS	02/04/09	22286	AEK	GES
E-1	ALL	UPDATED TO POWEREX DRIVER	11/01/09	22129	AEK	GES
F-1	1 ALL	UPDATED TO CURRENT FRAMES	11/30/10	22407	AEK	GES
G-1	ALL	ADDED PBM SHEETS	04/14/11	22609	AEK	GES
H-1	2 C4	ADDED SHIMMER VALVE	02/03/12	22734	AEK	GES
J-1	2 ALL	ADDED/UPDATED FLEX LINES	10/09/12	PXC0009	AEK	DMS
K-1	2 ALL	ADDED/CORRECTED SHIMMER VALVE	11/04/14	PXC0067	AEK	GES
L-1	2 ALL	REMOVED SHIMMER VALVE	01/20/16	PXC0313	MJD	AEK
M-1	1 ALL	CHANGED TO NEW 90 DESIGN	07/14/16	PXC0332	AEK	GES
N-1	1 ALL	ADDED TOP VIEW TO BASIC CONTROLS LAYOUT	2/2/17	PXC0187	AEK	GES
P-1	1 ALL	CHANGED BASIC BUILD TANK ORIENTATION	02/07/17	PXC0221	MJD	GES
Q	ALL	CHANGED TO TREAT DRIVERS MOUNTAIN TANK UPDATED TO TEAM CENTER	06/29/19	PXC02029	GES	MWH
R	1-44	CORRECTED FRAME SIZE VIEW PBM BUILD	09/23/19	PXC0271	GES	MWH



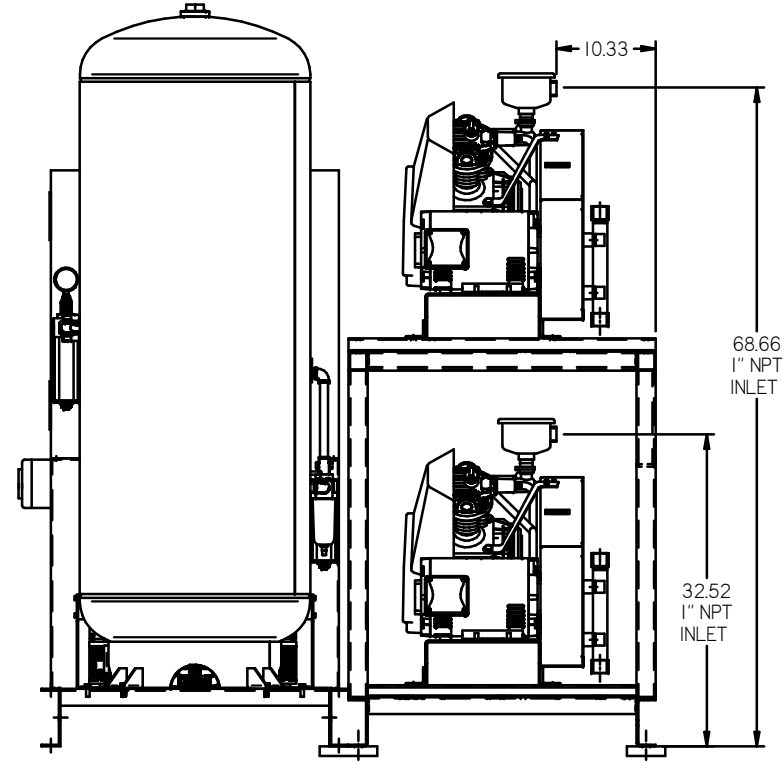
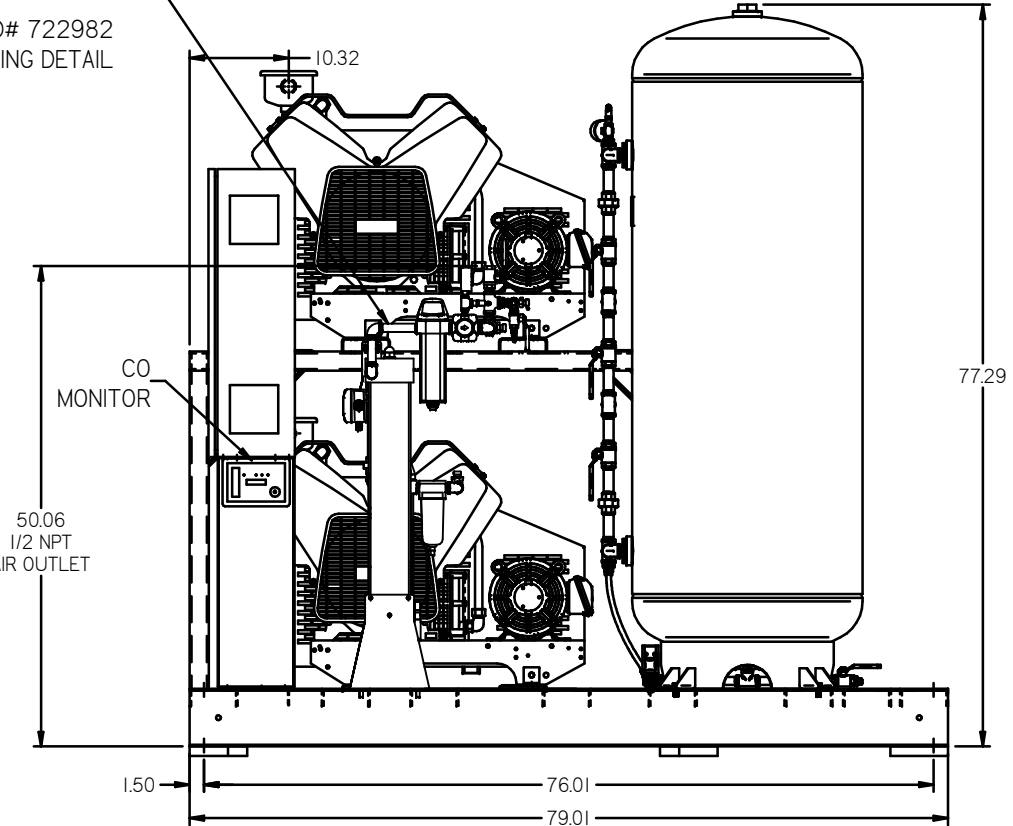
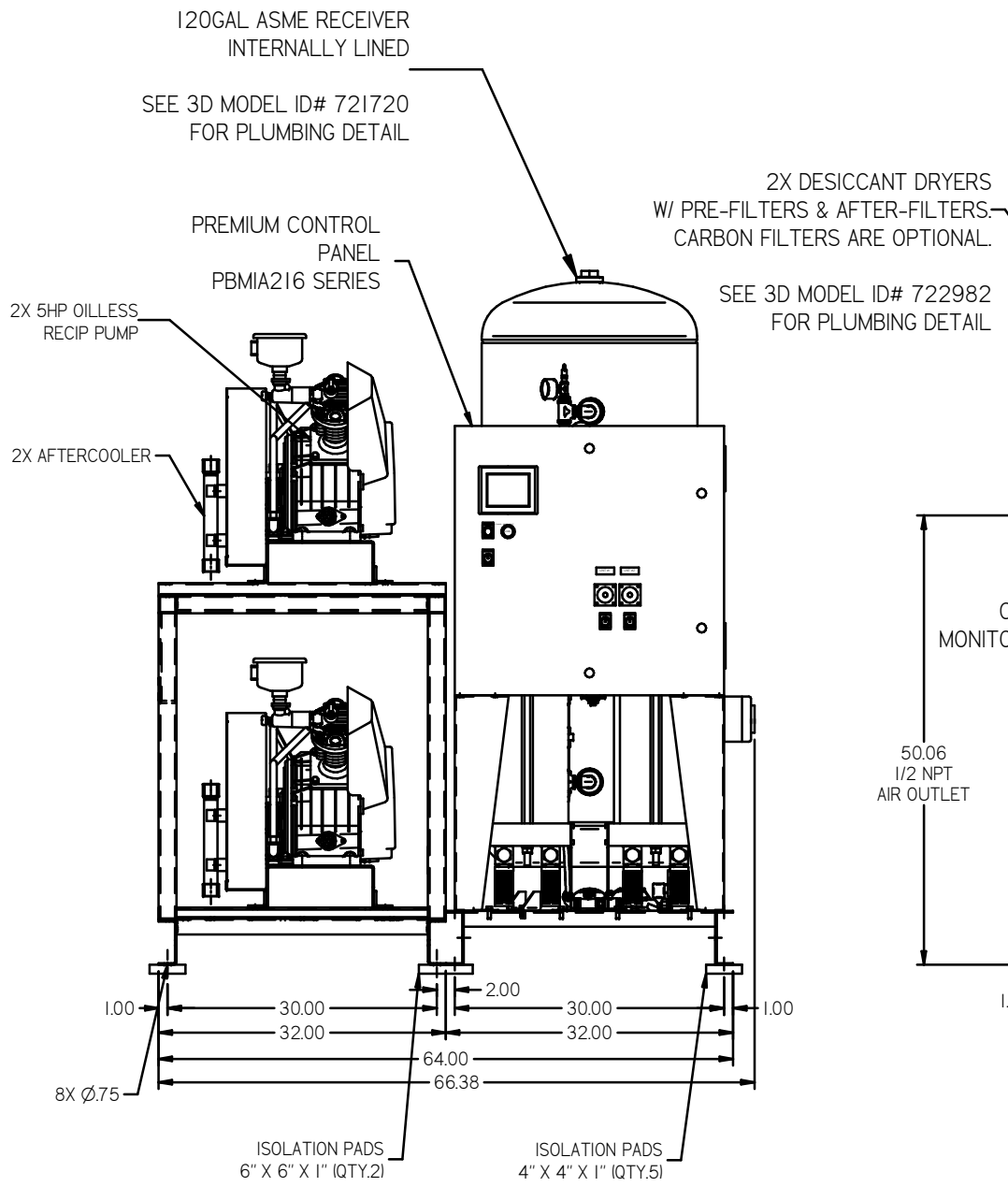
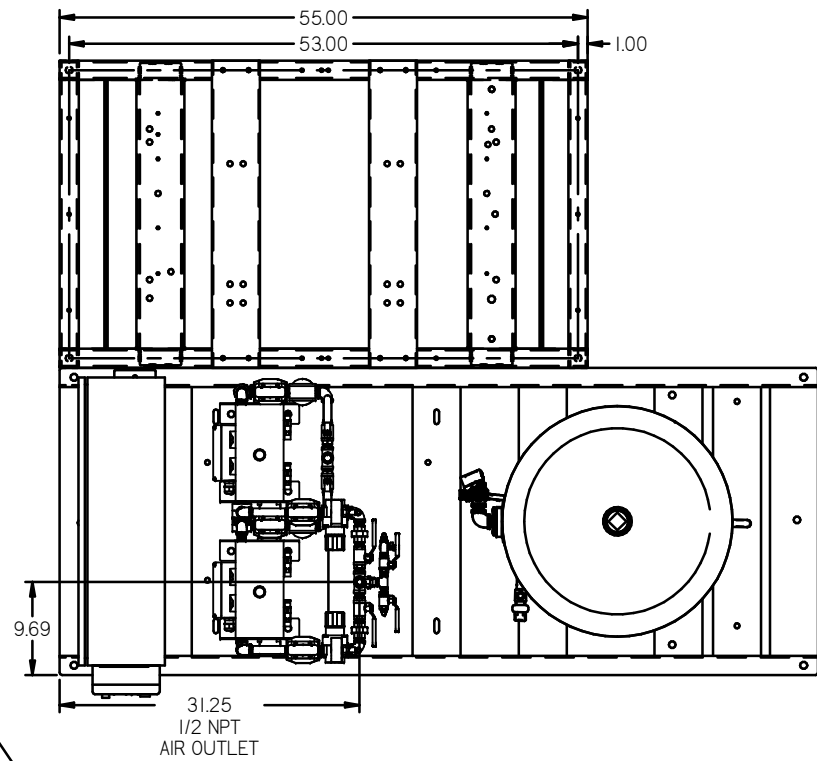
LEGEND

	RELIEF VALVE		PRESSURE SWITCH
	INTAKE FILTER		REGULATOR
	AIR FILTER		SEPARATOR
	3 WAY VALVE		CHECK VALVE
	CARBON FILTER		FLEX LINE
	BALL VALVE		HIGH TEMP SWITCH
	SOLENOID VALVE		UNION

NOTES:
 1) IF RESERVE COMPRESSOR IS ENERGIZED ALARM WILL OCCUR.
 2) PIPING TO THE INLET BY OTHERS AND TO BE PER NFPA99
 3) INSTRUMENTS DOWN STREAM OF SOURCE VALVE TO BE SUPPLIED BY OTHERS.

TOLERANCES NOT SPECIFIED	AUTOCAD REL 2008 LT	DO NOT SCALE DRAWING FOR DIMENSIONS
Sheet 2 of 2	SCALE 1:10	
<p>CONFIDENTIAL DISCLOSURE: This drawing is the property of POWEREX, INC. of the SCOTT FELLOW COMPANY and subject to return on demand. Its contents are confidential and must not be copied or submitted to outside parties for use or reproduction.</p>		
MATERIAL	N/A	
PART NAME	DUPLIX DILLESS RECIP FLOW SCHEMATIC	
DWG NO	MPD0508X5	SIZE D
DRWN BY	DMS	04/08/08
CHEKED BY	GES	04/08/08
APPROVED BY	DMS	04/08/08
	JJ	04/08/08

REV	ZONE	REVISION	DATE	EON	NAME	CHKD
0	ALL	ADDED FRAME SHEETS	7/14/11	00029	AEK	GES
H-1	2 CA	ADDED SNUBBER VALVE	4/23/12	22734	AEK	GES
J-1	2 ALL	ADDED/UPDATED FLEX LINES	10/9/12	PRE00009	AEK	DMS
K-1	2 ALL	ADDED/CORRECTED SNUBBER VALVE	10/4/14	PRE00067	AEK	GES
L-1	2 ALL	REMOVED SNUBBER VALVE	01/20/16	PRE00133	MJD	AEK
M-1	1 ALL	CHANGED TO NEW BG DESIGN	7/16/16	PRE00132	AEK	GES
N-1	1 ALL	ADDED TOP VIEW TO BASIC CONTROLS LAYOUT	2/21/17	PRE00187	AEK	GES
P-1	1 ALL	CHANGED BASIC BUILD FRAME ORIENTATION	6/27/17	PRE00201	MJD	GES
Q	ALL	CHANGED TO TRENK DRIVES, MORGAN TANK, POINTED TO TEAM CENTER	8/29/19	PRE002029	GES	MHJ
R	1-44	CORRECTED FRAME SEE VIEW PM BUILD	9/23/19	PRE00273	GES	MHJ

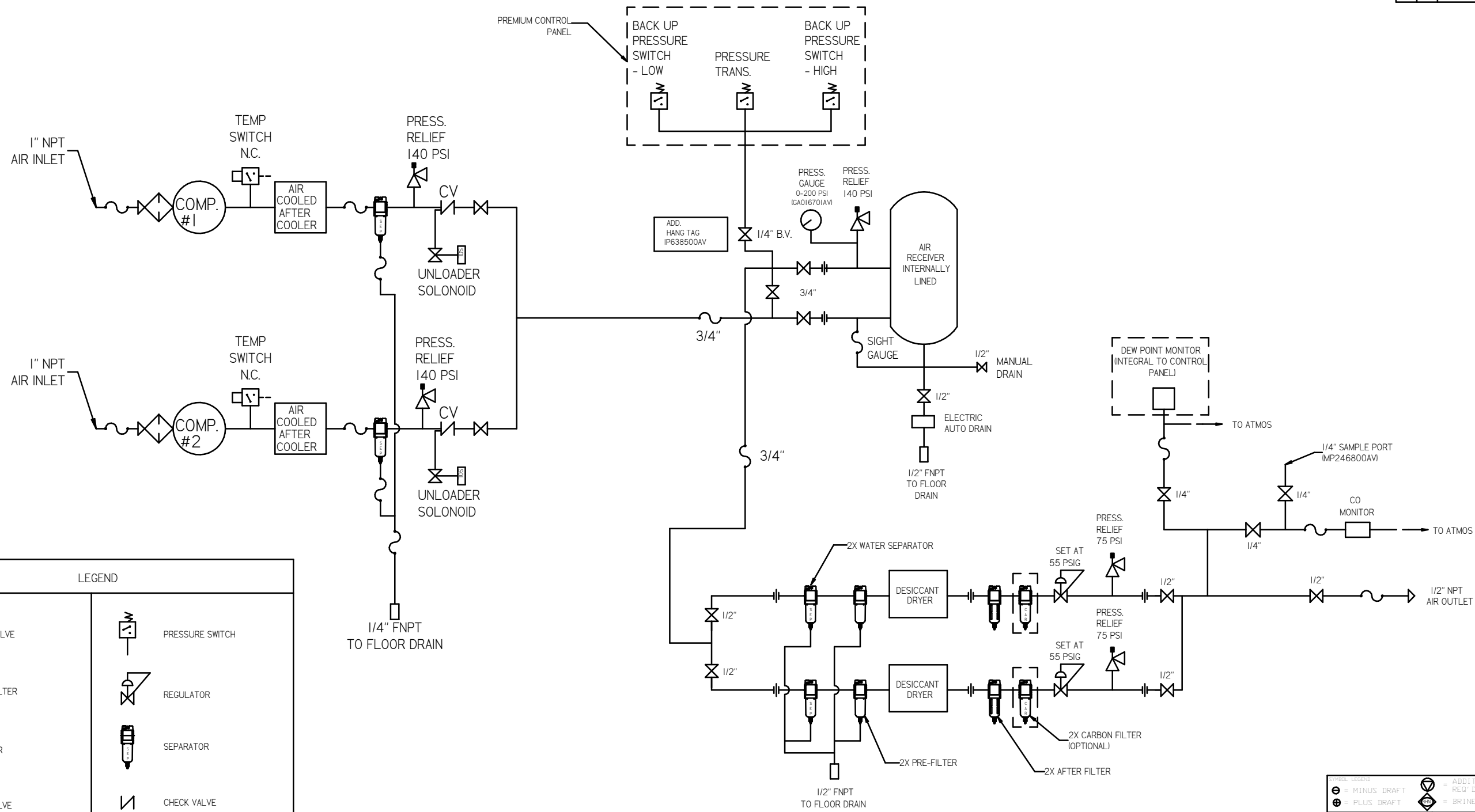


NOTE: A MINIMUM OF 24" CLEARANCE IS RECOMMENDED AROUND THE ENTIRE UNIT.

NOTE: SYSTEM DESIGNED IN COMPLIANCE WITH U.S. NFPA '99, LATEST EDITION.

TOLERANCES NOT SPECIFIED XX ± X DEG ±		AUTOCAD REL2009.LT INCH	DO NOT SCALE DRAWING FOR DIMENSIONS Sheet 1 of 2 SCALE 1:10
CONFIDENTIAL INFORMATION This drawing is the property of POWEREX, INC. of the SCOTT FETZER COMPANY and subject to return or removal. Its contents are confidential and must not be copied or submitted to outside parties for use or examination.		DRAWN BY: AEK CHECKED BY: GES 9/14/11	APPROVED BY: DMS, RJR 9/14/11, 9/14/11, 9/14/11
MATERIAL: N/A			
PART NAME: DUPLEX OILLESS RECIP 5HP 120 GAL BASEMOUNT DUPLEX DESICCANT		DWG NO: MPD0508X5	SIZE: D

REV	ZONE	REVISION	DATE	ECN	NAME	CHKD
10-1	ALL	ADDED P&ID SHEETS	9/14/11	102609	AEK	GES
11	2 CA	ADDED SLUBBER VALVE	4/2/02	22754	AEK	GES
14-1	2 ALL	ADDED/POINTED FLEX LINES	10/9/12	PXC0009	AEK	DMS
14-1	2 ALL	ADDED/CORRECTED SLUBBER VALVE	11/4/14	PXC0007	AEK	GES
14-1	2 ALL	REMOVED SLUBBER VALVE	01/20/16	PXC0133	MJD	AEK
14-1	1 ALL	CHANGED TO NEW BG DESIGN	7/14/16	PXC0132	AEK	GES
14-1	1 ALL	ADDED TOP VIEW TO BASIC CONTROLS LAYOUT	2/21/17	PXC0187	AEK	GES
14-1	1 ALL	CHANGED BASIC BUILD TANK ORIENTATION	6/27/17	PXC0211	MJD	GES
15	ALL	CHANGED TO TROOP/ORDS MORGAN/TANK, UPDATED TO TANK CENTER	9/29/19	PXC03029	GES	MHJ
16	1-AM	CORRECTED FRAME SIZE NEW P&ID BUILD	9/23/19	PXC0273	GES	MHJ



LEGEND

	RELIEF VALVE		PRESSURE SWITCH
	INTAKE FILTER		REGULATOR
	AIR FILTER		SEPARATOR
	3 WAY VALVE		CHECK VALVE
	CARBON FILTER		FLEX LINE
	BALL VALVE		HIGH TEMP SWITCH
	SOLENOID VALVE		UNION

NOTES:

- 1) IF RESERVE COMPRESSOR IS ENERGIZED ALARM WILL OCCUR.
- 2) PIPING TO THE INLET BY OTHERS AND TO BE PER NFPA99
- 3) INSTRUMENTS DOWN STREAM OF SOURCE VALVE TO BE SUPPLIED BY OTHERS.

<p>MINUS DRAFT</p> <p>PLUS DRAFT</p>	<p>ADDITIONAL CONTROL REQ'D</p> <p>BRINELL HARDNESS</p>	<p>Drawings to conform to the current revision of the following standards:</p> <p>ASME Y14.3 Multi and section 1 view steps</p> <p>ASME Y14.5 Dimensioning and tolerancing</p>
<p>TOLERANCES NOT SPECIFIED</p> <p>XX ±</p> <p>XXX ±</p> <p>4 DEC 1-3</p>	<p>AUTOCAD REL2008 LT</p> <p>INCH</p>	<p>DO NOT SCALE DRAWING FOR DIMENSIONS</p> <p>Sheet 2 of 2</p> <p>SCALE 1:10</p>
<p>CONFIDENTIAL DISCLOSURE</p> <p>This drawing is the property of POWEREX, INC. of THE SCOTT FELTZER COMPANY and subject to return on demand. Its contents are confidential and must not be copied or submitted to outside parties for use or disclosure.</p>		
<p>MATERIAL</p> <p>N/A</p>	<p>DRAWN BY</p> <p>AEK</p> <p>9/14/11</p>	<p>CHECKED BY</p> <p>GES</p> <p>9/14/11</p>
<p>PART NAME</p> <p>DUPLEX DILLESS RECIP FLOW SCHEMATIC</p>	<p>APPROVED BY</p> <p>DMS</p> <p>9/14/11</p>	<p>APPROVED BY</p> <p>RJR</p> <p>9/14/11</p>
<p>DWG NO</p> <p>MPD0508X5</p>	<p>SIZE</p> <p>D</p>	<p>POWEREX</p> <p>POWEREX, INC. OF THE SCOTT FELTZER COMPANY</p> <p>10000 W. 100th Street, Suite 100, Overland Park, KS 66214</p> <p>TEL: 913.241.1000 FAX: 913.241.1001</p>