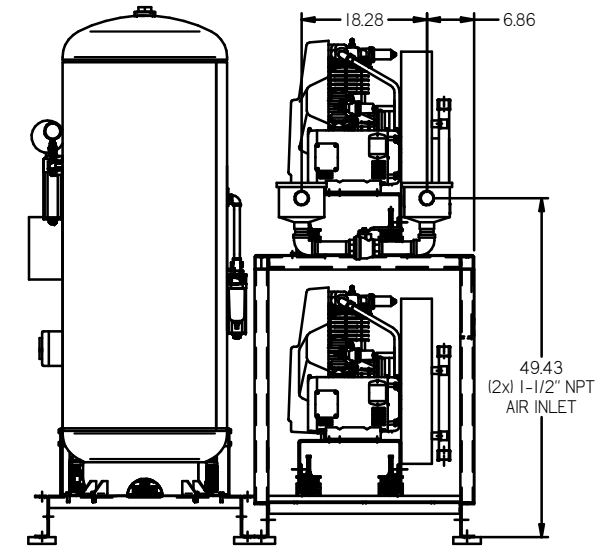
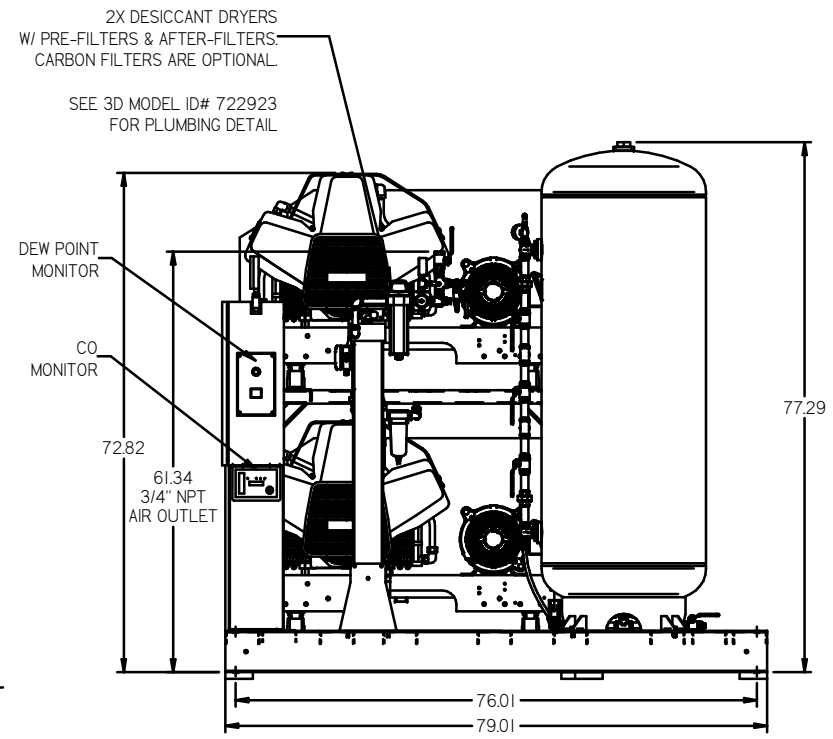
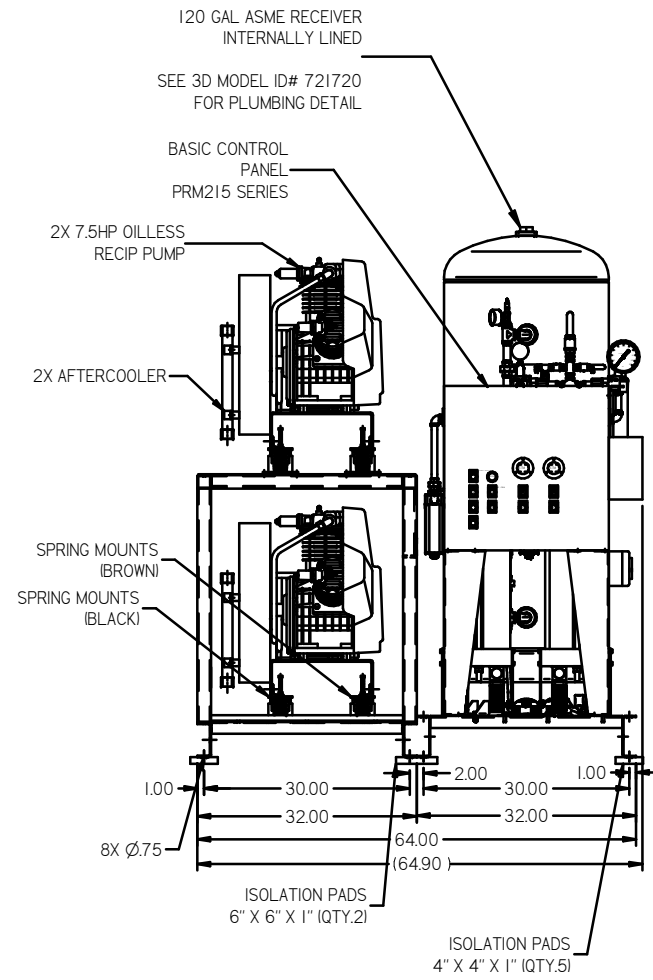
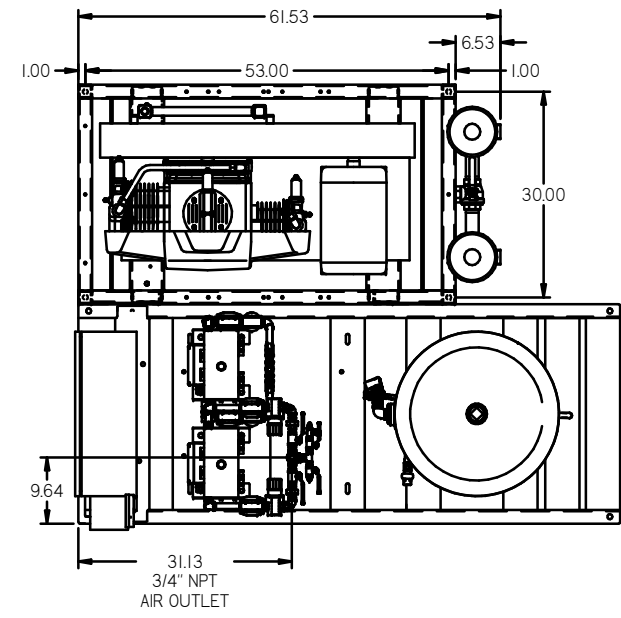


REV	ZONE	REVISION	DATE	EDN	NAME	CHKD
B-1	ALL	RELEASE FOR PRODUCTION	9/25/08	31	AEK	GES
C-1	C-2	ADDED NEW DEW POINT MONITOR	09/08/09	22027	GES	DMS
D-1	ALL	UPDATED TO NEW POWEREX DRYER	8/18/09	22020	AEK	GES
E-1	1 ALL	REMOVED IN BASE SKID & RELOCATED PANEL AND DRYERS	9/24/09	22289	AEK	GES
F-1	1 ALL	UPDATED PUMP FRAMES	4/15/10	22407	AEK	GES
G-1	1 BR	UPDATED SPRING ISOLATOR CALLOUT	11/22/10	22348	AEK	GES
H-1	1 BR	UPDATED SPRING ISOLATOR CALLOUT	5/20/11	22546	GES	DMS
J-1	ALL	ADDED PDM SHEETS	9/21/11	22809	AEK	GES
K-1	2 ALL	ADDED CORRECTED FLEX LINES	9/21/12	PRE03009	AEK	DMS
L-1	2 DS	ADDED SHABBER VALVE	3/21/13	PRE00030	AEK	DMS
M-1	2 DS	REMOVED SHABBER VALVE	01/22/16	PRE02033	ALD	AEK
N-1	1 ALL	CHANGED TANK ORIENTATION	6/28/17	PRE02011	ALD	GES
P-1	1 BR	CHANGED REAR SPRING MOUNTS TO BLACK 1.5x1 TO 3/4"	5/4/18	PRE02032	GES	MH
Q	2 CA	CHANGED HOSE SIZE FROM 1/2" TO 3/4"	9/12/18	PRE02029	MH	GES
R	ALL	CHANGED TO TRIDENT DRYERS, MORGANTON TANK	8/22/19	PRE020029	GES	MH

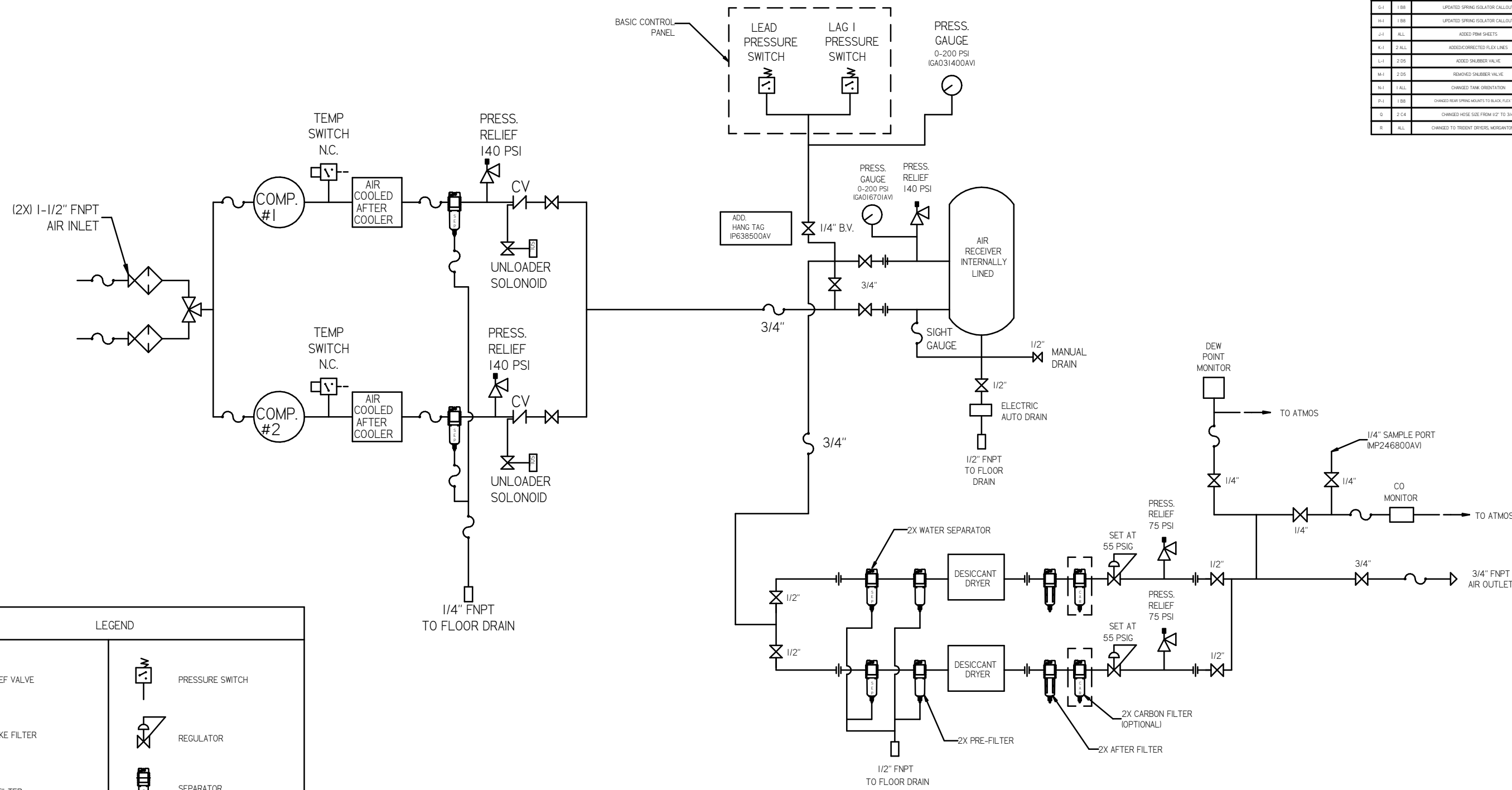


NOTE: A MINIMUM OF 24" CLEARANCE IS RECOMMENDED AROUND THE ENTIRE UNIT.

NOTE: SYSTEM DESIGNED IN COMPLIANCE WITH U.S. NFPA '99, LATEST EDITION.

TOLERANCES NOT SPECIFIED: XX ± XXX ± .4 DEG ±	AUTOCAD BEL2008.LT INCH	DO NOT SCALE DRAWING FOR DIMENSIONS Sheet 1 of 2 SCALE 1:10
CONFIDENTIAL DISCLOSURE This drawing is the property of the POWEREX, INC. of the SCOTT PETER COMPANY and subject to return on demand. Its contents are confidential and must not be copied or submitted to outside parties for use or examination.		
DRAWN BY: AEK CHECKED BY: GES APPROVED BY: DMS DATE: 9/25/08	DATE: 9/25/08 DATE: 9/25/08 DATE: 9/25/08	DATE: 9/25/08
MATERIAL: N/A PART NAME: 7.5HP OILLESS RECIP DUPLEX 120GAL DESICCANT	 Ph: 888-769-7979 FAX: (513) 367-3125	
DWG NO: MPD0758X5	SIZE: D	9/25/08

REV	ZONE	REVISION	DATE	ECN	NAME	CHD
B-1	ALL	RELEASE FOR PRODUCTION	9/25/08	01906	AEK	SES
C-4	C-2	ADDED NEW DEW POINT MONITOR	05/08/09	22027	GES	DMS
D-4	ALL	UPDATED TO NEW POWEREX DRYER	6/18/09	22020	AEK	SES
E-4	1 ALL	REMOVED IN BASE SKID & RELOCATED PANEL AND DRIVERS	9/24/09	22286	AEK	SES
F-4	1 ALL	UPDATED PUMP FRAMES	4/15/10	22407	AEK	SES
G-4	1 BB	UPDATED SPRING ISOLATOR CALLOUT	11/22/10	22348	AEK	SES
H-4	1 BB	UPDATED SPRING ISOLATOR CALLOUT	5/23/11	22546	SES	DMS
J-4	ALL	ADDED P&M SHEETS	9/20/11	22609	AEK	SES
K-4	2 ALL	ADDED CORRECTED FLEX LINES	9/20/12	PREC05019	AEK	DMS
L-4	2 DS	ADDED SHUBBER VALVE	3/21/13	PREC00300	AEK	DMS
M-4	2 DS	REMOVED SHUBBER VALVE	01/20/16	PREC01033	NLD	AEK
N-4	1 ALL	CHANGED TANK ORIENTATION	6/28/17	PREC02011	NLD	SES
P-4	1 BB	CHANGED REAR SPRING MOUNTS TO BLACK FLEX TO 3/4"	5/4/18	PREC02032	GES	MWH
Q	2 CA	CHANGED HOSE SIZE FROM 1/2" TO 3/4"	9/2/18	PREC02029	MWH	SES
R	ALL	CHANGED TO TRODENT DRYERS, MORGANTON TANK	8/22/19	PREC02028	GES	MWH



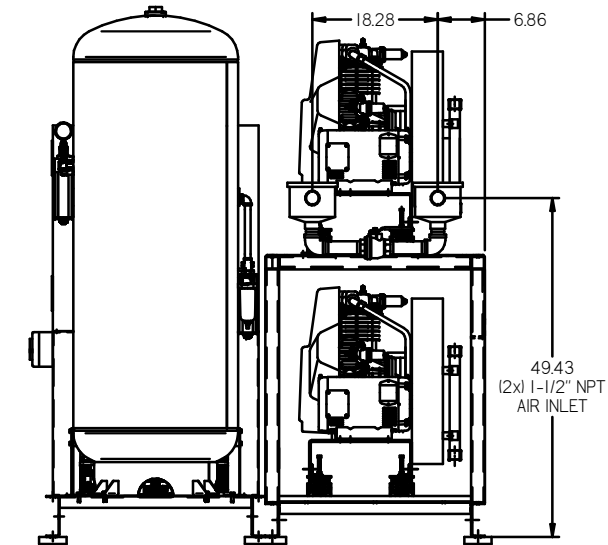
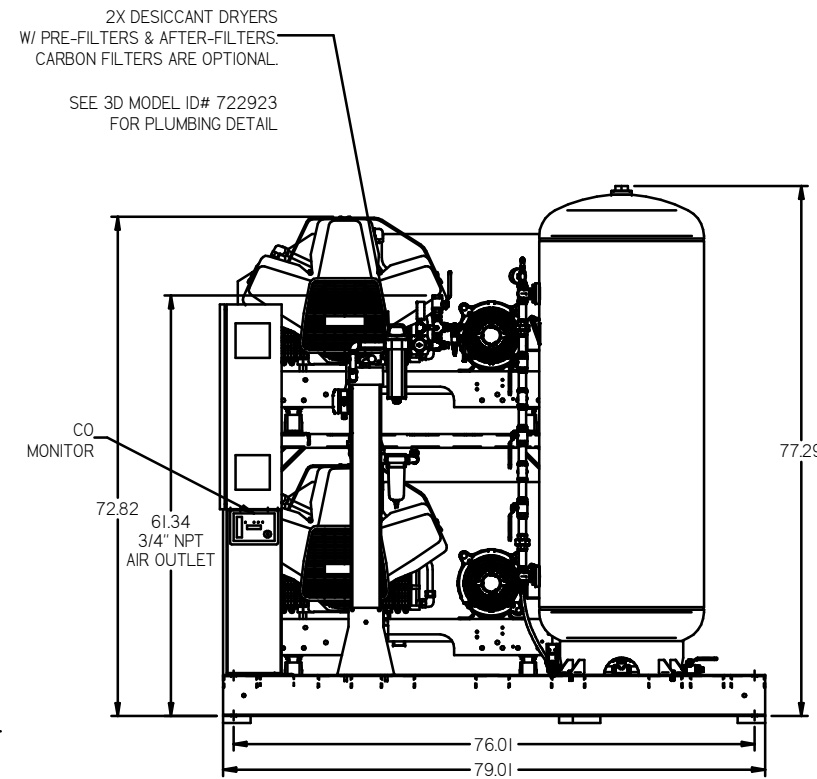
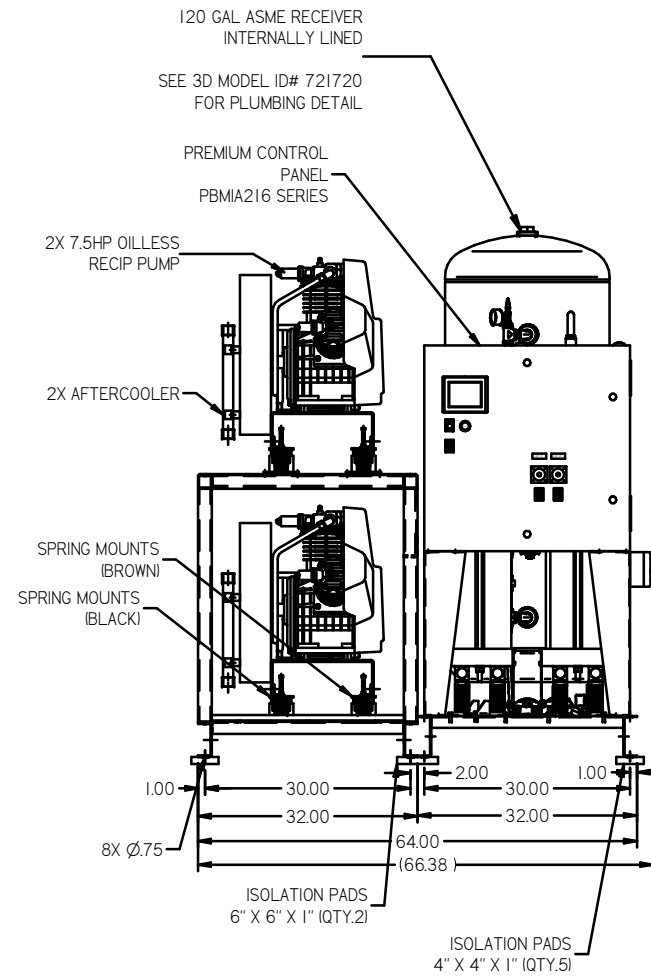
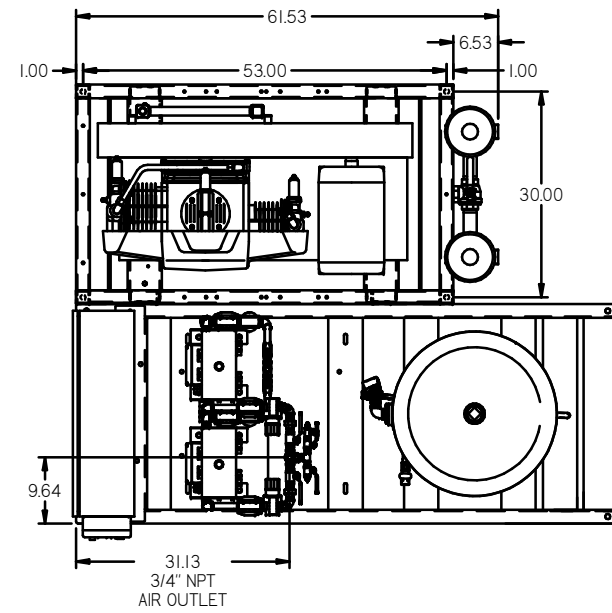
LEGEND

	RELIEF VALVE		PRESSURE SWITCH
	INTAKE FILTER		REGULATOR
	AIR FILTER		SEPARATOR
	3 WAY VALVE		CHECK VALVE
	CARBON FILTER		FLEX LINE
	BALL VALVE		HIGH TEMP SWITCH
	SOLENOID VALVE		UNION

NOTES:
 1) IF RESERVE COMPRESSOR IS ENERGIZED ALARM WILL OCCUR.
 2) PIPING TO THE INLET BY OTHERS AND TO BE PER NFPA99
 3) INSTRUMENTS DOWN STREAM OF SOURCE VALVE TO BE SUPPLIED BY OTHERS.

TOLERANCES NOT SPECIFIED XX ± XXX ± 4 DEC. 1 ±	AUTOCAD REL2008 LT INCH	DO NOT SCALE DRAWING FOR DIMENSIONS Sheet 2 of 2 SCALE 1:14
CONFIDENTIAL DISCLOSURE This drawing is the property of the POWEREX INC. of the SCOTT FETZER COMPANY and subject to return on demand. Its contents are confidential and must not be copied or submitted to outside parties for use or reproduction.		DRAWN BY: AEK CHECKED BY: GES APPROVED BY: DMS DATE: 9/25/08, 9/25/08, 9/25/08, 9/25/08
MATERIAL: N/A PART NAME: DUPLEX DILLESS RECIP PACKAGE FLOW CHEMATIC		POWEREX 10000 W. 100th Ave., Golden, CO 80401 PHONE: 303.440.1000 FAX: 303.440.1001 WWW: www.powerex.com DWG NO: MPD0758X5 SIZE: D

REV	ZONE	REVISION	DATE	ECN	NAME	CRKD
J-1	ALL	ADDED PBM SHEETS	10/21/11	25609	AEK	GES
K-1	2 ALL	ADDED/CORRECTED PDX LINES	8/28/12	PREC0000	AEK	DMS
L-1	2 05	ADDED SAUBER VALVE	3/20/13	PREC0030	AEK	DMS
M-1	2 05	REMOVED SAUBER VALVE	01/20/16	PREC0133	MJD	AEK
N-1	1 ALL	CHANGED TANK ORIENTATION	8/28/17	PREC0211	MJD	GES
P-1	1 88	CHANGED REAR SPRING MOUNTS TO BLACK FLEX TO 3/4"	5/4/18	PREC0232	GES	MMH
Q	2 04	CHANGED HOSE SIZE FROM 1/2" TO 3/4"	8/22/18	PREC0223	MMH	GES
R	ALL	CHANGED TO TRENT DRIVERS, MORGANTON TANK	8/22/19	PREC02029	GES	MMH

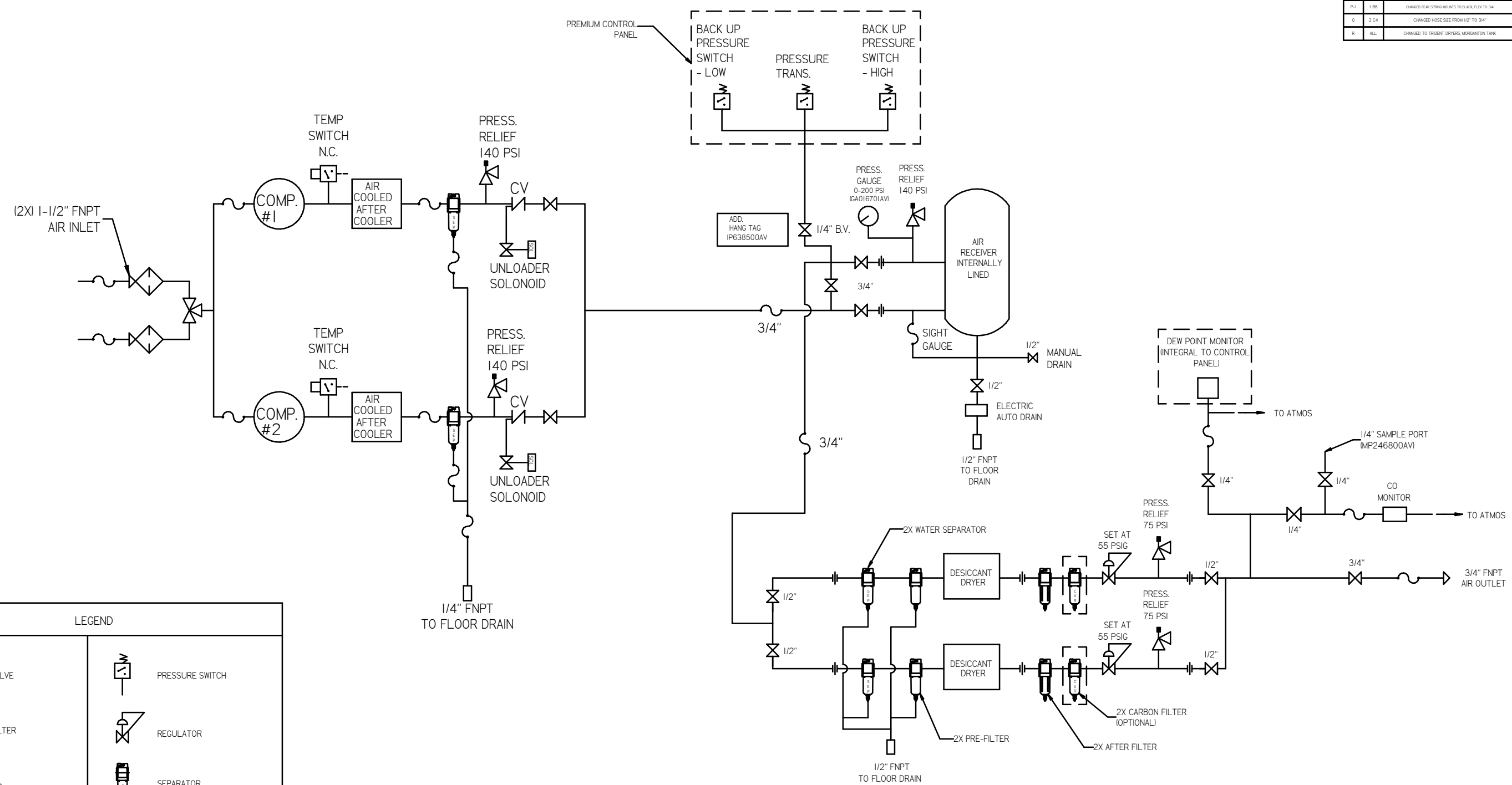


NOTE: A MINIMUM OF 24" CLEARANCE IS RECOMMENDED AROUND THE ENTIRE UNIT.

NOTE: SYSTEM DESIGNED IN COMPLIANCE WITH U.S. NFPA '99, LATEST EDITION.

SYMBOL LEGEND: ⊖ = MINUS DRAFT ⊕ = PLUS DRAFT ⊕ = ADDITIONAL CONTROL REQ'D ⊕ = BRINELL HARDNESS	TOLERANCES NOT SPECIFIED XX ± XXX ± XXX ±	AUTOCAD REL2008 LT INCH	DO NOT SCALE DRAWING FOR DIMENSIONS Sheet 1 of 2 SCALE 1:10
CONFIDENTIAL DISCLOSURE This drawing is the property of the POWEREX INC. OF THE SCOTT FETZER COMPANY and subject to return on demand. Its contents are confidential and must not be copied or submitted to outside parties for use on any other project.		DRAWN BY: AEK CHECKED BY: GES APPROVED BY: DMS, RJR	DATE: 9/21/11, 9/21/11, 9/21/11, 9/21/11
MATERIAL: N/A PART NAME: 7.5HP OILLESS RECIP DUPLEX 120GAL DESICCANT		 MPD0758X5 SIZE: D	

REV	ZONE	REVISION	DATE	ECN	NAME	CHKD
1-1	ALL	ADDED P&ID SHEETS	9/21/11		AEK	GES
1-1	ALL	ADDED CORRECTED FLEX LINES	9/21/11		AEK	DMS
1-1	2 DS	ADDED SHLEBER VALVE	9/21/11		AEK	DMS
1-1	2 DS	REMOVED SHLEBER VALVE	9/21/11		AEK	DMS
1-1	1 ALL	CHANGED TANK ORIENTATION	9/21/11		AEK	GES
1-1	1 BS	CHANGED REAR SPRING MOUNTS TO BLACK FLEX TO 3/4"	9/21/11		AEK	GES
1-1	2 CA	CHANGED HOSE SIZE FROM 1/2" TO 3/4"	9/21/11		AEK	GES
1-1	ALL	CHANGED TO TRIDENT DRYERS, MORGANTON TANK	9/21/11		AEK	DMS



LEGEND

	RELIEF VALVE		PRESSURE SWITCH
	INTAKE FILTER		REGULATOR
	AIR FILTER		SEPARATOR
	3 WAY VALVE		CHECK VALVE
	CARBON FILTER		FLEX LINE
	BALL VALVE		HIGH TEMP SWITCH
	SOLENOID VALVE		UNION

NOTES:
 1) IF RESERVE COMPRESSOR IS ENERGIZED ALARM WILL OCCUR.
 2) PIPING TO THE INLET BY OTHERS AND TO BE PER NFPA99
 3) INSTRUMENTS DOWN STREAM OF SOURCE VALVE TO BE SUPPLIED BY OTHERS.

MINUS DRAFT PLUS DRAFT ADDITIONAL CONTROL REQ'D BRINELL HARDNESS	AUTOCAD REL2008 LT INCH DO NOT SCALE DRAWING FOR DIMENSIONS Sheet 2 of 2 SCALE 1:14	Drawing to conform to the current revision of the following standards: ASME Standards 14.3 Multi and sectional view depts. 14.98 Dimensioning and tolerancing
TOLERANCES NOT SPECIFIED XX ± XXX ± .4 DEC 1-3	CONFIDENTIAL DISCLOSURE This drawing is the property of the POWEREX INC. OF THE SCOTT FETZER COMPANY and subject to return on demand. Its contents are confidential and must not be copied or submitted to outside parties for use or reproduction.	DRAWN BY: AEK CHECKED BY: GES APPROVED BY: DMS, RJR 9/21/11 9/21/11 9/21/11 9/21/11
MATERIAL: N/A PART NAME: DUPLEX DILLESS RECIP PACKAGE FLOW CHEMATIC	DWG NO: MPD0758X5 SIZE: D	