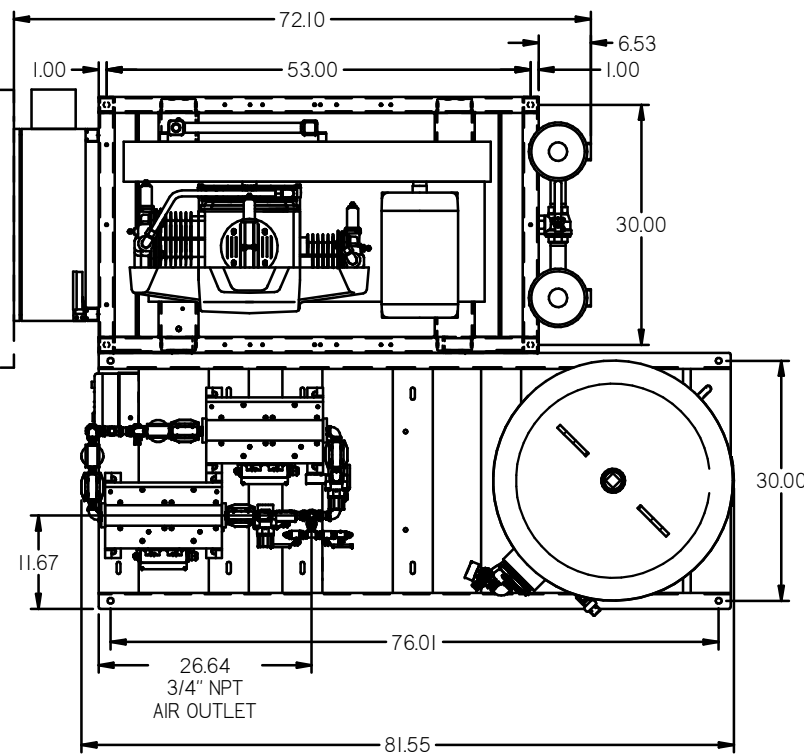


NOTE: A MINIMUM OF 24" CLEARANCE IS RECOMMENDED AROUND THE ENTIRE UNIT.

| REV | ZONE | REVISION | DATE | ECN | NAME | CHKD |
|-----|-------|---|----------|----------|------|------|
| B-1 | ALL | RELEASE TO PRODUCTION | 03/28/08 | 21904 | DMS | GES |
| C-1 | IB-7 | ADDED SPRING COLOR LOCATIONS | 8/10/08 | 22039 | GES | DMS |
| D-1 | ALL | UPDATED TO NEW POWEREX DRIVER | 8/18/09 | 22120 | AEK | GES |
| E-1 | ALL | REMOVED 10HP 3/4" & RELOCATED PANEL AND DRIVERS | 9/24/09 | 22290 | AEK | GES |
| F-1 | 1 ALL | UPDATED PUMP FRAMES | 4/15/10 | 22407 | AEK | GES |
| G-1 | ALL | ADDED PDM SHEETS | 9/21/11 | 22650 | AEK | GES |
| H-1 | 1 ALL | ADDED OVERHEAD VIEW | 10/20/11 | 22646 | AEK | GES |
| J-1 | 2 04 | ADDED SHLEIBER VALVE | 2/6/12 | 22734 | AEK | GES |
| K-1 | 2 ALL | UPDATED/ADDED FLEX LINES | 1/15/12 | PXC0009 | AEK | DMS |
| L-1 | 2 05 | REMOVED SHLEIBER VALVE | 01/20/16 | PXC0133 | MJD | AEK |
| M | ALL | CHANGED TO TRENK DRIVE MONITOR FAN UPDATED TO TEAM CENTER | 8/16/16 | PXC02029 | GES | MAY |

MINIMUM RECOMMENDED ELECTRICAL PANEL CLEARANCE PER OSHA/ NEC



2X DESICCANT DRYERS W/ PRE-FILTERS & AFTER-FILTERS. CARBON FILTERS ARE OPTIONAL.

200GAL ASME RECEIVER INTERNALLY LINED

SEE 3D MODEL ID# 722271 FOR PLUMBING DETAIL

SEE 3D MODEL ID# 721887 FOR PLUMBING DETAIL

2X 10HP OILLESS RECIP PUMP

2X AFTERCOOLER

BASIC CONTROL PANEL PRM215 SERIES

DEW POINT MONITOR

CO MONITOR

SPRING MOUNTS (BROWN)

SPRING MOUNTS (BLACK)

84.19

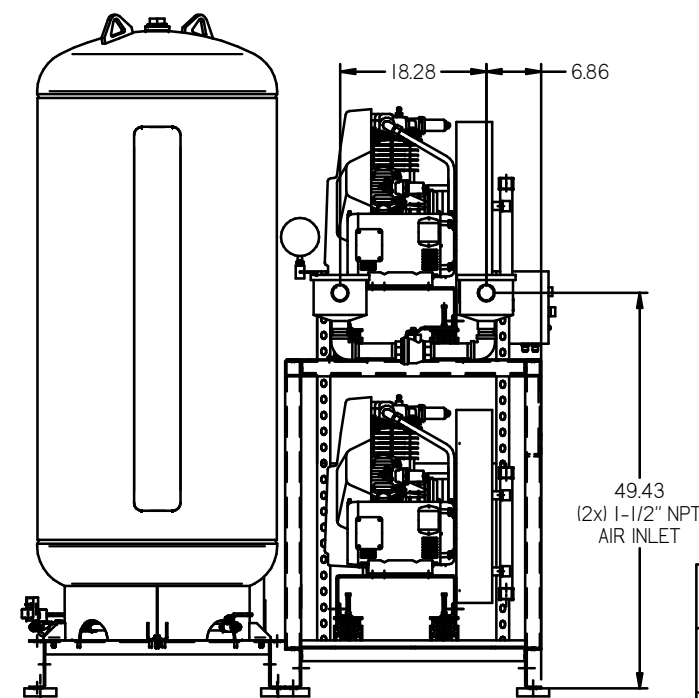
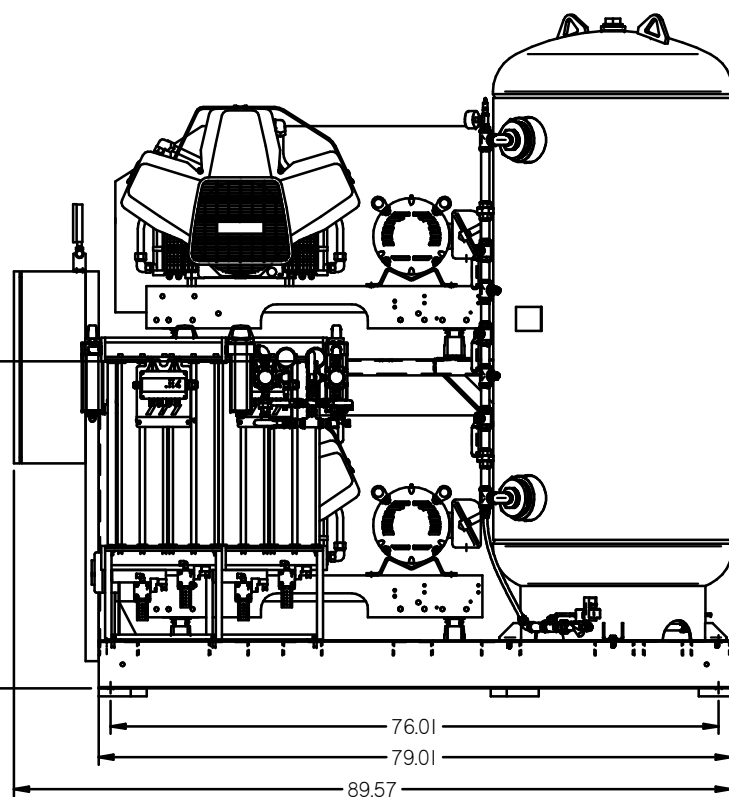
40.87 3/4" NPT AIR OUTLET

1.00 30.00 2.00 30.00 1.00

8X Ø.75

ISOLATION PADS 6" X 6" X 1" (QTY.2)

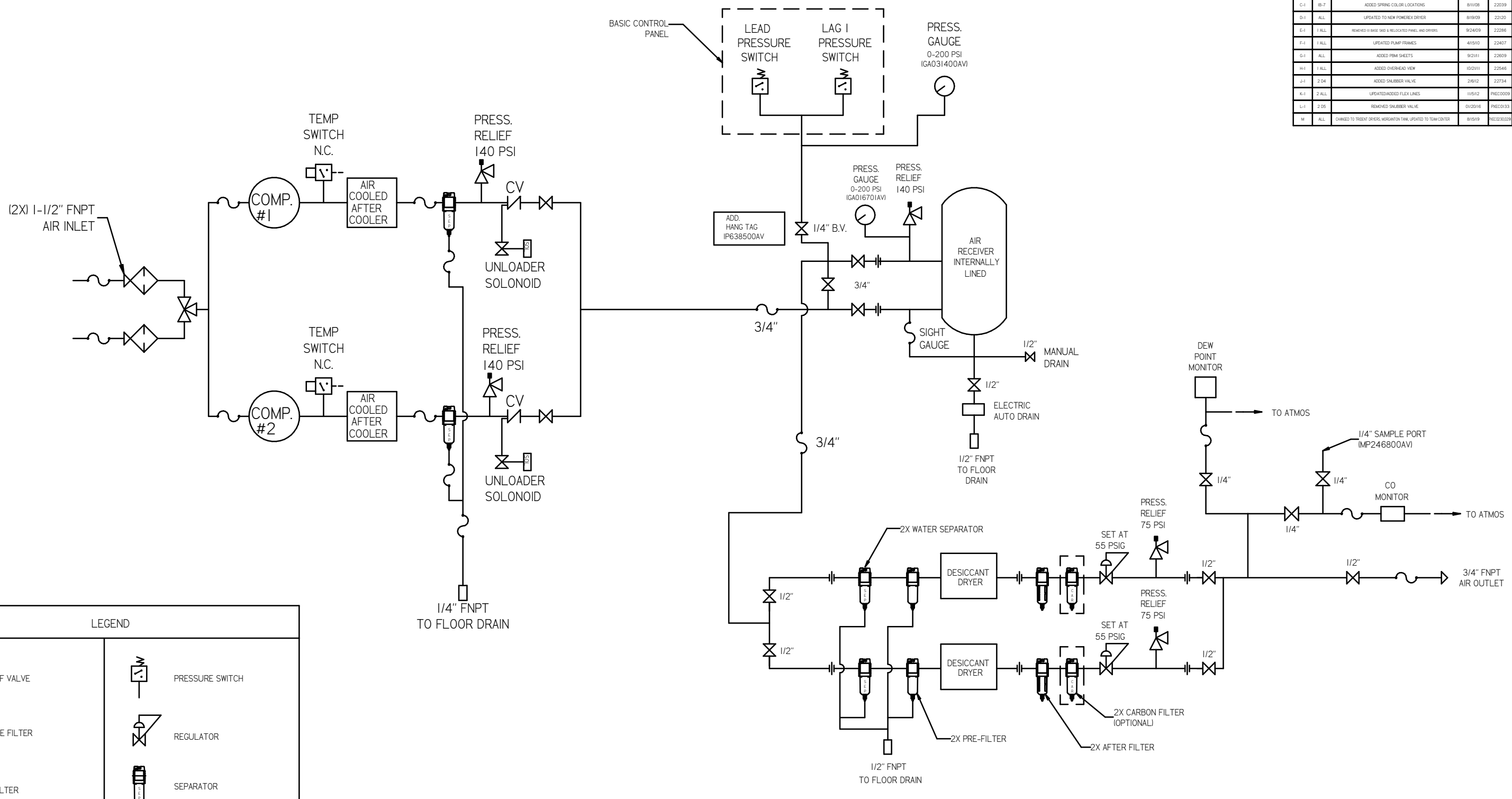
ISOLATION PADS 4" X 4" X 1" (QTY.5)



NOTE: SYSTEM DESIGNED IN COMPLIANCE WITH U.S. NFPA '99, LATEST EDITION.

| | | |
|--|--|--|
| <p>MINUS DRAFT</p> <p>PLUS DRAFT</p> | <p>ADDITIONAL CONTROL</p> <p>BRINELL HARDNESS</p> | <p>Drawings to conform to the current revision of the following standards:</p> <p>ASME Y14.3 (M&T) and section 1 view dep. 1:4 SM Dimensioning and tolerancing</p> |
| <p>TOLERANCES NOT SPECIFIED</p> <p>XX ±</p> <p>XXX ±</p> <p>∠ (REG.) ±</p> | <p>AUTOCAD</p> <p>REV. 2008 LT</p> <p>INCH</p> | <p>DO NOT SCALE DRAWING FOR DIMENSIONS</p> <p>Sheet 1 of 2</p> <p>SCALE 1:12</p> |
| <p>CONFIDENTIAL DISCLOSURE</p> <p>This drawing is the property of the POWEREX, INC. of the SCOTT FETZER COMPANY and subject to return on demand. Its contents are confidential and must not be copied or submitted to outside parties for use or reproduction.</p> | | |
| <p>DRWN BY</p> <p>DMS</p> <p>03/28/08</p> | <p>CHECKED BY</p> <p>GES</p> <p>03/28/08</p> | <p>APPROVED BY</p> <p>DMS</p> <p>03/28/08</p> |
| <p>MATERIAL</p> <p>N/A</p> | <p>POWEREX</p> <p>114 S. Main St. Scottsdale, AZ 85260 PH: 800-769-7979 FAX: (480) 367-3125</p> | |
| <p>PART NAME</p> <p>DUPLEX DILLESS</p> <p>10HP 200 GAL BASEMOUNT</p> <p>DUPLEX DESICCANT</p> | <p>DWG NO</p> <p>MPD1008X5</p> | <p>SIZE</p> <p>D</p> |

| REV | ZONE | REVISION | DATE | ECN | NAME | CRD |
|-----|-------|--|----------|----------|------|-----|
| B- | ALL | RELEASE TO PRODUCTION | 12/08/08 | 01906 | DMS | GES |
| C-I | IB-7 | ADDED SPRING COLOR LOCATIONS | 8/18/08 | 22038 | GES | DMS |
| D-I | ALL | UPDATED TO NEW POWEREX DRYER | 8/18/09 | 22120 | HEX | GES |
| E-I | ALL | REMOVED B BASE SKID & RELOCATED PANEL AND DRIVERS | 9/24/09 | 22286 | HEX | GES |
| F-I | ALL | UPDATED PUMP FRAMES | 4/18/10 | 23407 | HEX | GES |
| G-I | ALL | ADDED PBM SHEETS | 9/21/11 | 22609 | HEX | GES |
| H-I | ALL | ADDED OVERHEAD VIEW | 10/29/11 | 22546 | HEX | GES |
| J-I | 2 04 | ADDED SHLEBBER VALVE | 2/6/12 | 22734 | HEX | GES |
| K-I | 2 ALL | UPDATED/ADDED FLEX LINES | 1/15/12 | PRE00009 | HEX | DMS |
| L-I | 2 05 | REMOVED SHLEBBER VALVE | 01/20/16 | PRE00133 | MAD | HEX |
| M | ALL | CHANGED TO TRENT DRIVERS, MORGANTON TANK, UPDATED TO TEAM CENTER | 8/15/19 | PRE02029 | GES | MAH |



LEGEND

| | | | |
|--|----------------|--|------------------|
| | RELIEF VALVE | | PRESSURE SWITCH |
| | INTAKE FILTER | | REGULATOR |
| | AIR FILTER | | SEPARATOR |
| | 3 WAY VALVE | | CHECK VALVE |
| | CARBON FILTER | | FLEX LINE |
| | BALL VALVE | | HIGH TEMP SWITCH |
| | SOLENOID VALVE | | UNION |

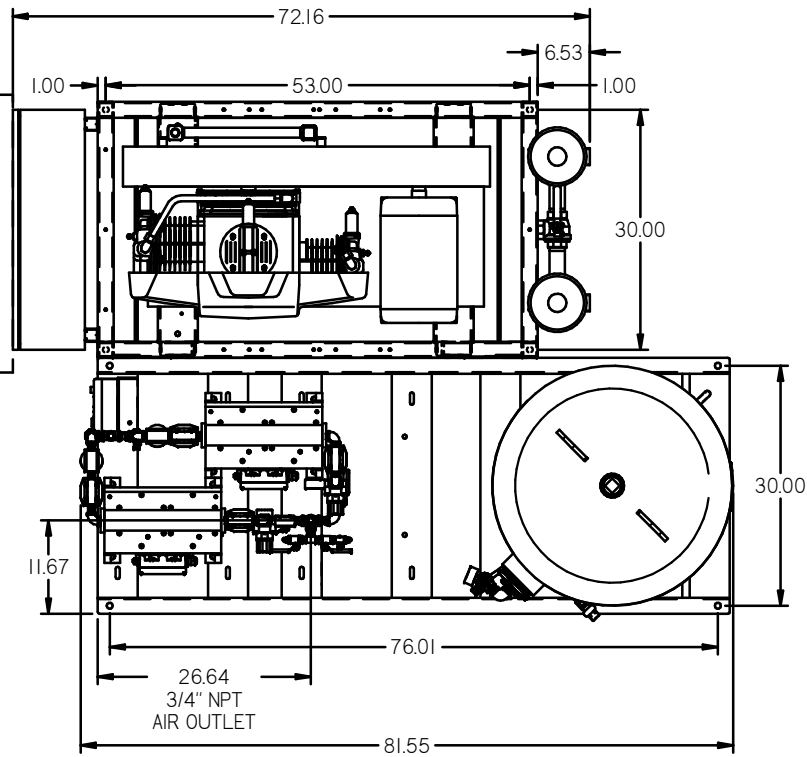
NOTES:
 1) IF RESERVE COMPRESSOR IS ENERGIZED ALARM WILL OCCUR.
 2) PIPING TO THE INLET BY OTHERS AND TO BE PER NFPA99
 3) INSTRUMENTS DOWN STREAM OF SOURCE VALVE TO BE SUPPLIED BY OTHERS.

| | |
|---|---|
| <p>CONFIDENTIAL DISCLOSURE</p> <p>This drawing is the property of the POWEREX INC. or the SCOTT FETZER COMPANY and subject to return on demand. Its contents are confidential and must not be copied or submitted to outside parties for use on any installation.</p> | <p>DO NOT SCALE DRAWING FOR DIMENSIONS</p> <p>Sheet 2 of 2</p> <p>SCALE 1:12</p> |
| <p>DATE: 03/28/08</p> <p>CHECKED BY: GES</p> <p>APPROVED BY: DMS</p> <p>DATE: 03/28/08</p> | <p>DATE: 03/28/08</p> <p>CHECKED BY: DMS</p> <p>APPROVED BY: JJ</p> <p>DATE: 03/28/08</p> |
| <p>PART NAME: N/A</p> <p>DUPLEX DILLESS BASEMOUNT DUPLEX DESICCANT FLOW SCHEMATIC</p> | <p>POWEREX</p> <p>MPD1008X5</p> |

NOTE: A MINIMUM OF 24" CLEARANCE IS RECOMMENDED AROUND THE ENTIRE UNIT.

| REV | ZONE | REVISION | DATE | ECN | NAME | CHKD |
|------|-------|---|----------|-----------|------|------|
| 10-1 | ALL | ADDED FBH1 SHEETS | 9/21/11 | 121603 | AEK | GES |
| H1 | 1,4L | ADDED OVERHEAD VIEW | 10/26/11 | 22548 | AEK | GES |
| J1 | 2,5L | ADDED SHUBBER VALVE | 2/6/12 | 22734 | AEK | GES |
| K-1 | 2 ALL | UPDATED/ADDED FLEX LINES | 1/15/12 | PRE00009 | AEK | DMS |
| L-1 | 2,5L | REMOVED SHUBBER VALVE | 01/23/12 | PRE00133 | ADD | AEK |
| M | ALL | CHANGED TO TRIGENT DRYERS, MORGANTON TANK, UPDATED TO TEAM CENTER | 8/15/19 | PRE003029 | GES | MMH |

MINIMUM RECOMMENDED ELECTRICAL PANEL CLEARANCE PER OSHA/ NEC



2X DESICCANT DRYERS W/ PRE-FILTERS & AFTER-FILTERS. CARBON FILTERS ARE OPTIONAL.

200 GAL ASME RECEIVER INTERNALLY LINED

SEE 3D MODEL ID# 722271 FOR PLUMBING DETAIL

SEE 3D MODEL ID# 721887 FOR PLUMBING DETAIL

2X 10HP OILLESS RECIP PUMP

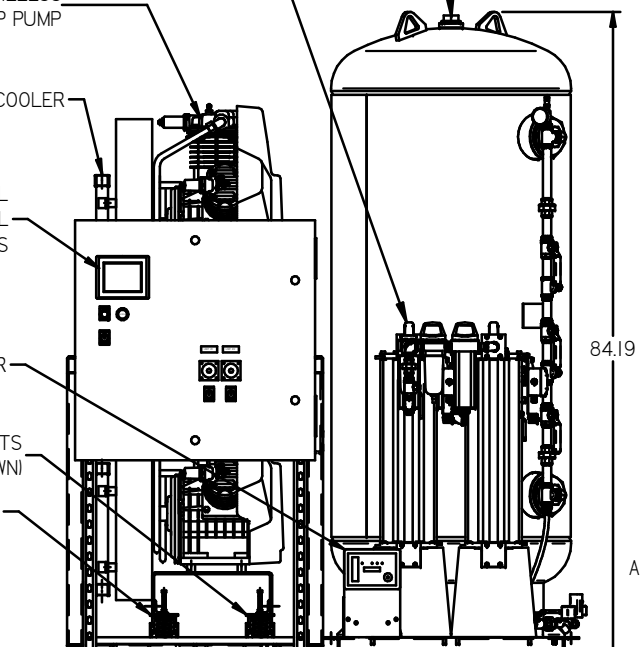
2X AFTERCOOLER

PREMIUM CONTROL PANEL PBMA216 SERIES

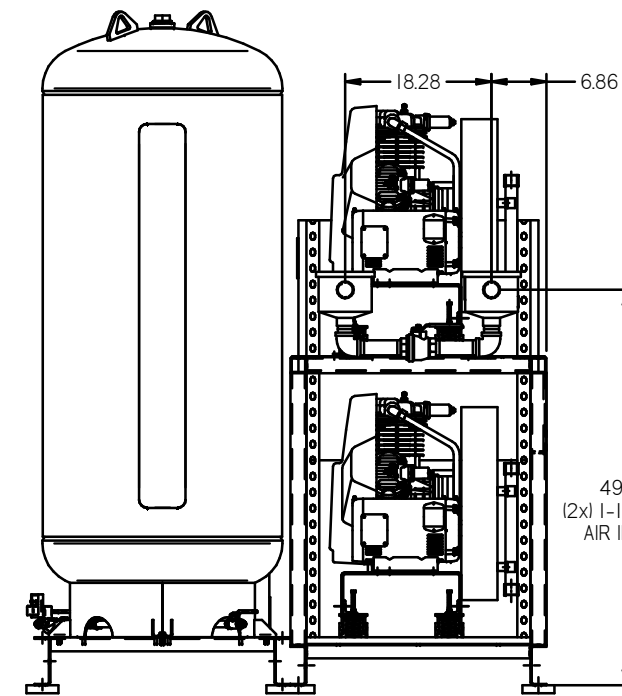
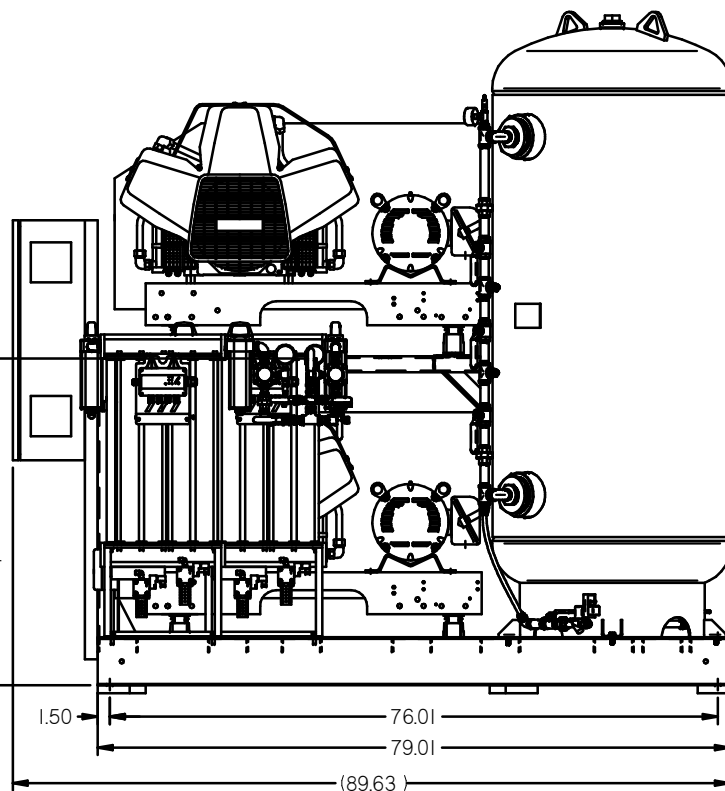
CO MONITOR

SPRING MOUNTS (BROWN)

SPRING MOUNTS (BLACK)

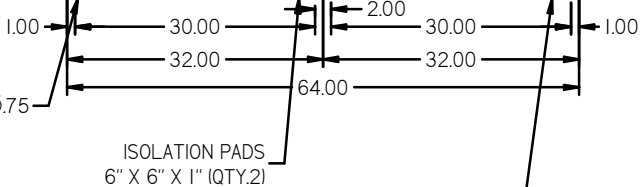


40.87 3/4" NPT AIR OUTLET



49.43 (2x) 1-1/2" NPT AIR INLET

NOTE: SYSTEM DESIGNED IN COMPLIANCE WITH U.S. NFPA '99, LATEST EDITION.

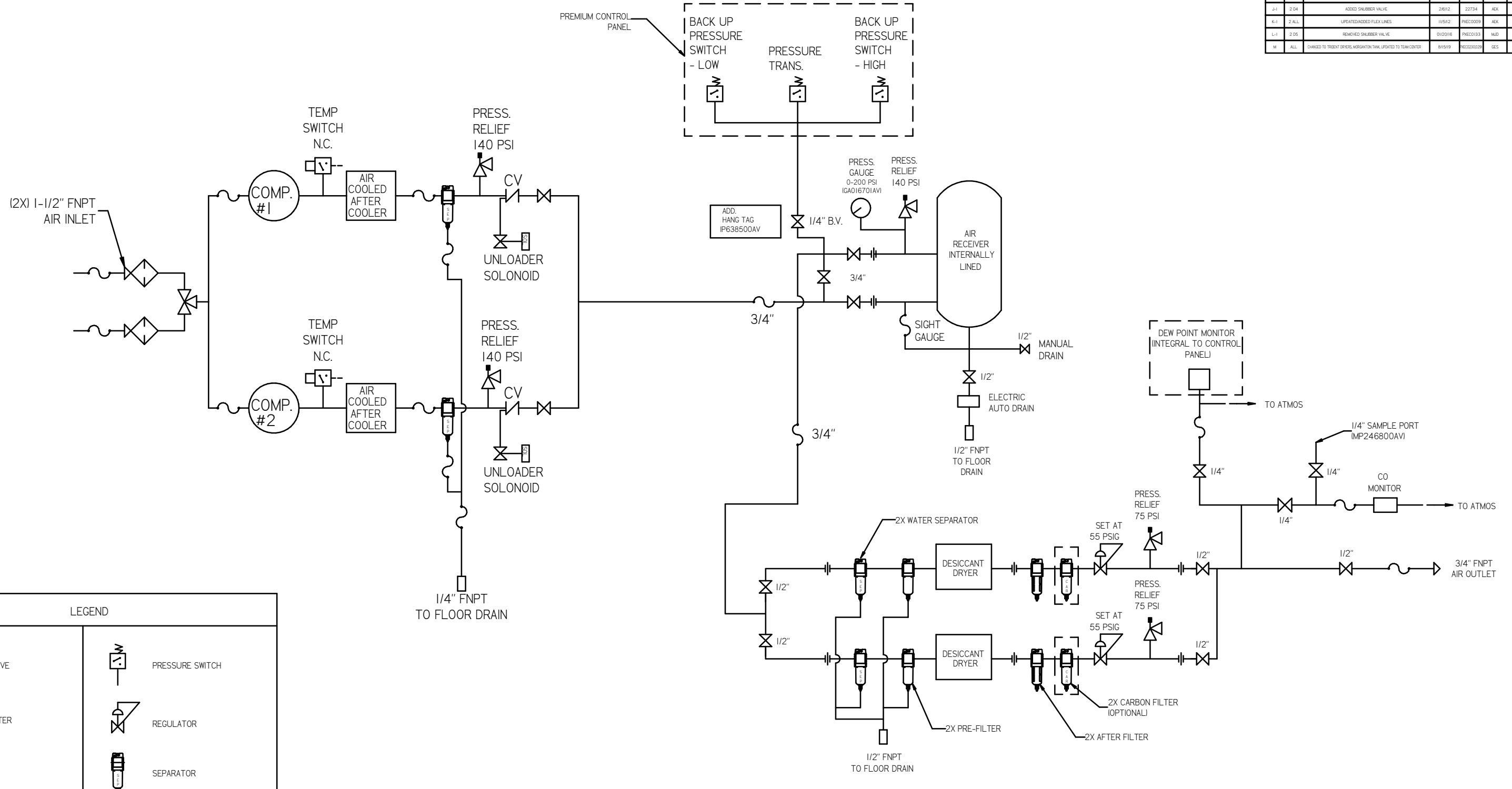


ISOLATION PADS 6" X 6" X 1" (QTY.2)

ISOLATION PADS 4" X 4" X 1" (QTY.5)

| | | |
|---|--|---|
| MINUS DRAFT PLUS DRAFT ADDITIONAL CONTROL REQ'D BRINELL HARDNESS | AUTOCAD REL2008 LT INCH DO NOT SCALE DRAWING FOR DIMENSIONS Sheet 1 of 2 SCALE 1:12 | Drawings to conform to the current revision of the following ANSI standards: Y14.3 Multi and sectional view dsgs. Y14.4 Geometric and tolerancing |
| TOLERANCES NOT SPECIFIED XX ± XXX ± 4 DEC 1-3 | CONFIDENTIAL DISCLOSURE This drawing is the property of the POWEREX INC. of the SCOTT FETZER COMPANY and subject to return on demand. Its contents are confidential and must not be copied or submitted to outside parties for use or reproduction. | DRWN BY: AEK CHECKED BY: GES ISSUED BY: DMS, RJR 9/21/11, 9/21/11, 9/21/11, 9/21/11 |
| MATERIAL: N/A | PART NAME: DUPLEX OILLESS 10HP 200 GAL BASEMOUNT DUPLEX DESICCANT | Dwg No: MPD1008X5 Size: D |

| REV | ZONE | REVISION | DATE | EDN | NAME | CHKD |
|------|------|--|----------|-----------|------|------|
| 10-1 | ALL | ADDED PIPING SHEETS | 9/21/11 | 105609 | AEK | GES |
| 11-1 | ALL | ADDED OVERHEAD VIEW | 10/20/11 | 22548 | AEK | GES |
| J-1 | 2.04 | ADDED SHLEBER VALVE | 2/6/12 | 22734 | AEK | GES |
| K-1 | 2.04 | UPGRADED FLEX LINES | 11/5/12 | PREC02009 | AEK | DMS |
| L-1 | 2.05 | REMOVED SHLEBER VALVE | 01/20/16 | PREC0133 | MJD | AEK |
| M | ALL | CHANGED TO PRESENT ORDER MORGAN TANK, UPDATED TO TEAM CENTER | 8/15/19 | PREC02009 | GES | MMH |



LEGEND

| | | | |
|--|----------------|--|------------------|
| | RELIEF VALVE | | PRESSURE SWITCH |
| | INTAKE FILTER | | REGULATOR |
| | AIR FILTER | | SEPARATOR |
| | 3 WAY VALVE | | CHECK VALVE |
| | CARBON FILTER | | FLEX LINE |
| | BALL VALVE | | HIGH TEMP SWITCH |
| | SOLENOID VALVE | | UNION |

NOTES:
 1) IF RESERVE COMPRESSOR IS ENERGIZED ALARM WILL OCCUR.
 2) PIPING TO THE INLET BY OTHERS AND TO BE PER NFPA99
 3) INSTRUMENTS DOWN STREAM OF SOURCE VALVE TO BE SUPPLIED BY OTHERS.

| | |
|---|--|
| MINUS DRAFT PLUS DRAFT TOLERANCES NOT SPECIFIED XX XXX Z | ADDITIONAL CONTROL REQ'D BRINELL HARDNESS AUTOCAD REL2008 LT INCH Sheet 2 of 2 SCALE 1:12 DO NOT SCALE DRAWING FOR DIMENSIONS CONSTRUCTION STANDARDS 214.3 Mark and section view style 214.5M Dimensioning and tolerancing |
| CONFIDENTIAL DISCLOSURE This drawing is the property of the POWEREX INC. of the SCOTT FITZGER COMPANY and subject to return on demand. Its contents are confidential and must not be copied or submitted to outside parties for use or evaluation. | DRAWN BY: AEK CHECKED BY: GES 9/21/11 MATERIAL: N/A PART NAME: DUPLEX DILLESS BASEMOUNT DUPLEX DESICCANT FLOW SCHEMATIC DWG NO: MPD1008X5 SIZE: D |